



US00D559206S

(12) **United States Design Patent**
Neveu

(10) **Patent No.:** **US D559,206 S**
(45) **Date of Patent:** **** Jan. 8, 2008**

(54) **ELECTRICAL ENERGY CONTROL SWITCH**

(75) Inventor: **Stephane Neveu**, Strasbourg (FR)

(73) Assignees: **Legrand France**, Limoges (FR);
Legrand SNC, Limoges (FR)

(**) Term: **14 Years**

(21) Appl. No.: **29/269,751**

(22) Filed: **Dec. 8, 2006**

(30) **Foreign Application Priority Data**

Jun. 12, 2006 (EM) 000545603

(51) **LOC (8) Cl.** **13-03**

(52) **U.S. Cl.** **D13/174**

(58) **Field of Classification Search** D13/158,
D13/162-164, 171, 177, 184; 200/11 R,
200/16 B; 204/297; 205/118; D23/250-252;
D8/310-312; D14/217

See application file for complete search history.

(56) **References Cited**

U.S. PATENT DOCUMENTS

D207,489 S * 4/1967 Collins D8/311
D208,918 S * 10/1967 Dole D8/311
4,334,492 A * 6/1982 Klingler 116/309
D349,101 S * 7/1994 Schaeffer D13/174

D387,331 S * 12/1997 Wong D13/158
D400,778 S * 11/1998 Holbrook, Jr. D8/311
D438,846 S * 3/2001 Bonn D13/174
D443,496 S * 6/2001 DeCosse D8/300
D444,049 S * 6/2001 Decosse D8/311
D456,012 S * 4/2002 Pratt D13/171
D484,466 S * 12/2003 Ventress et al. D13/162
D498,657 S * 11/2004 Milrud et al. D8/311
D511,669 S * 11/2005 Miller D8/300

* cited by examiner

Primary Examiner—Selina Sikder

Assistant Examiner—Thomas J Johannes

(74) *Attorney, Agent, or Firm*—Young & Thompson

(57) **CLAIM**

The ornamental design for an <<electrical energy control switch>>, as shown.

DESCRIPTION

FIG. 1 is a front elevational view thereof;
FIG. 2 is a left side elevational view thereof;
FIG. 3 is a right side elevational view thereof;
FIG. 4 is a top view thereof;
FIG. 5 is a bottom view thereof; and,
FIG. 6 is a perspective view.

1 Claim, 2 Drawing Sheets

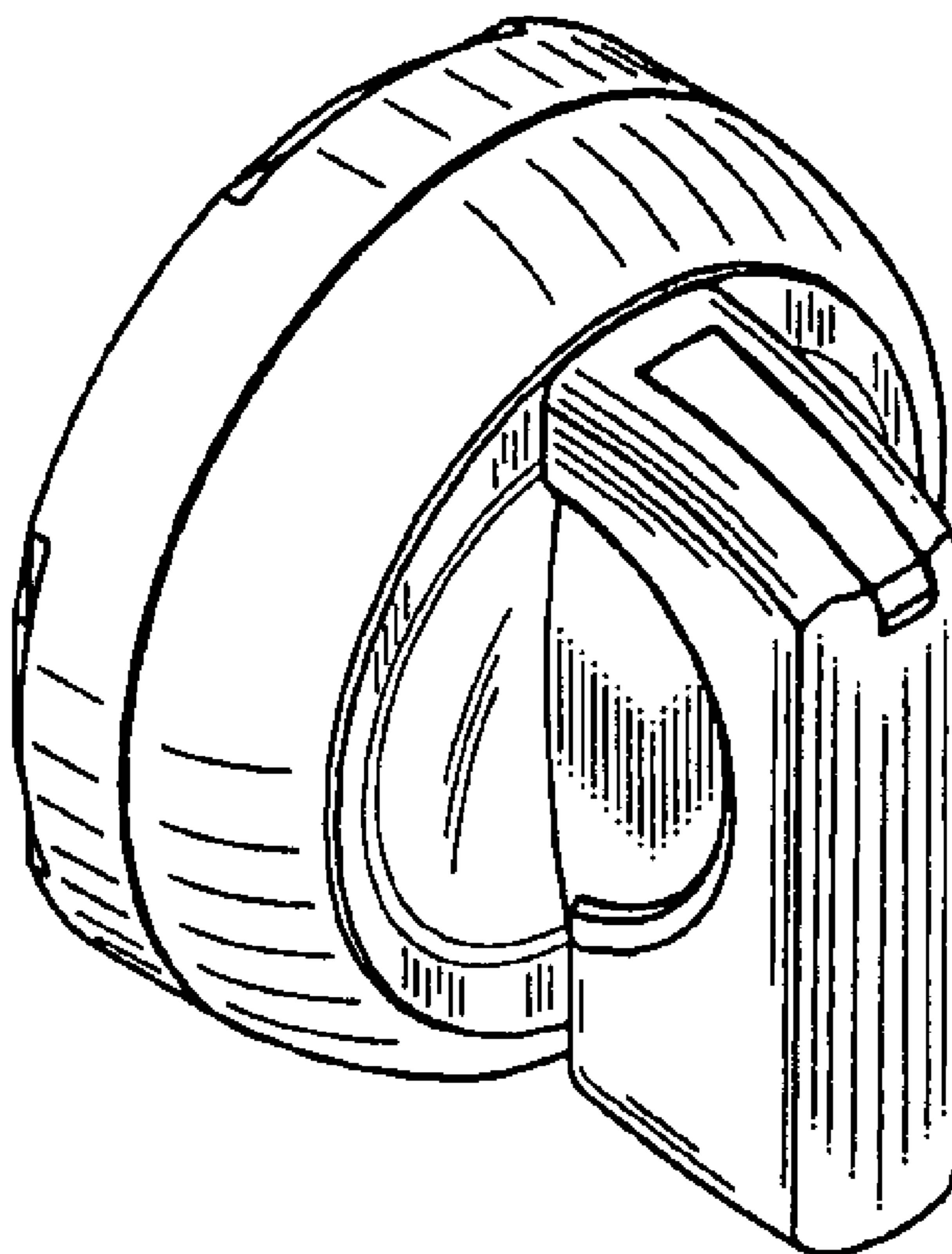


Fig.1

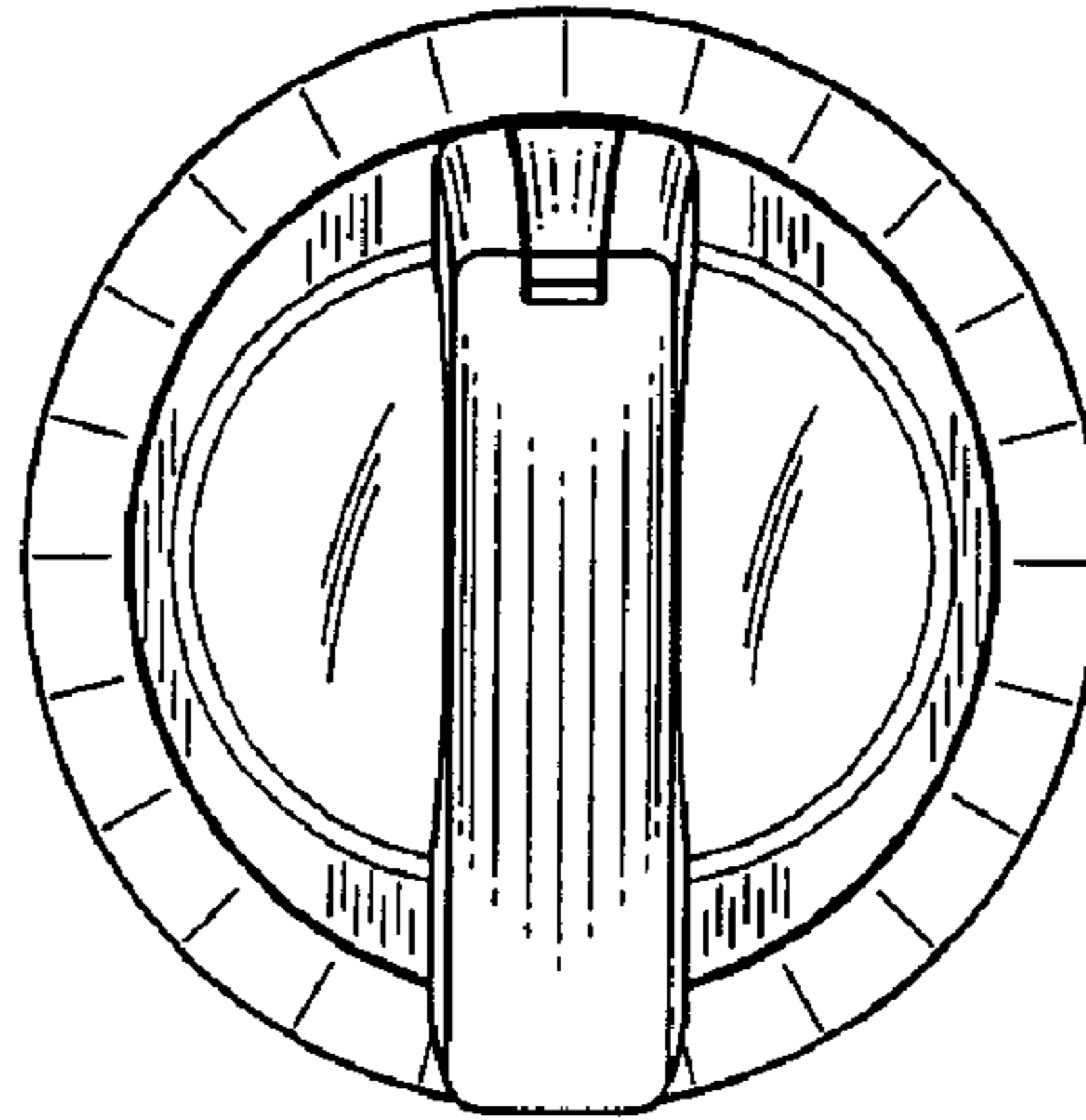


Fig.2

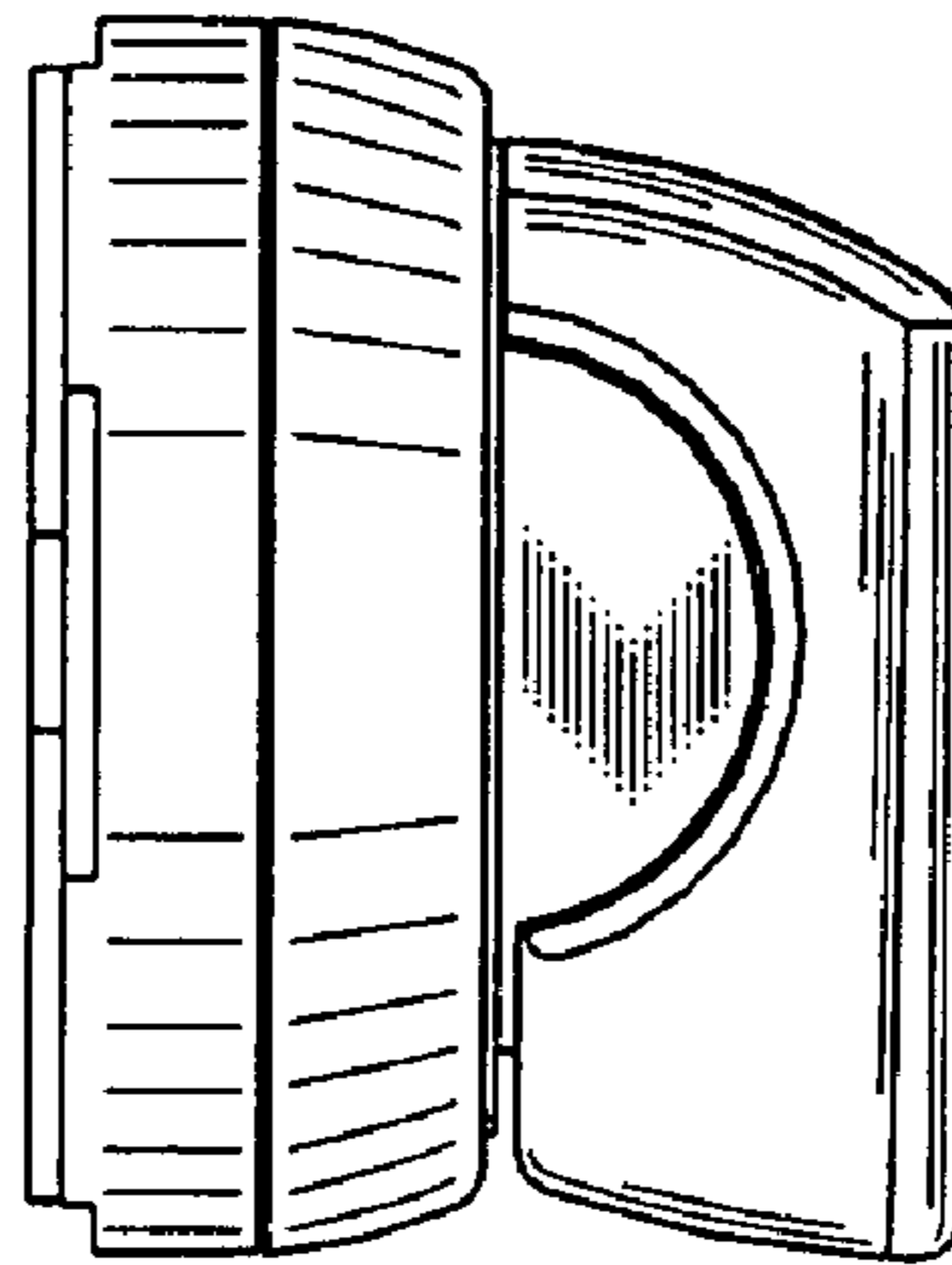


Fig.3

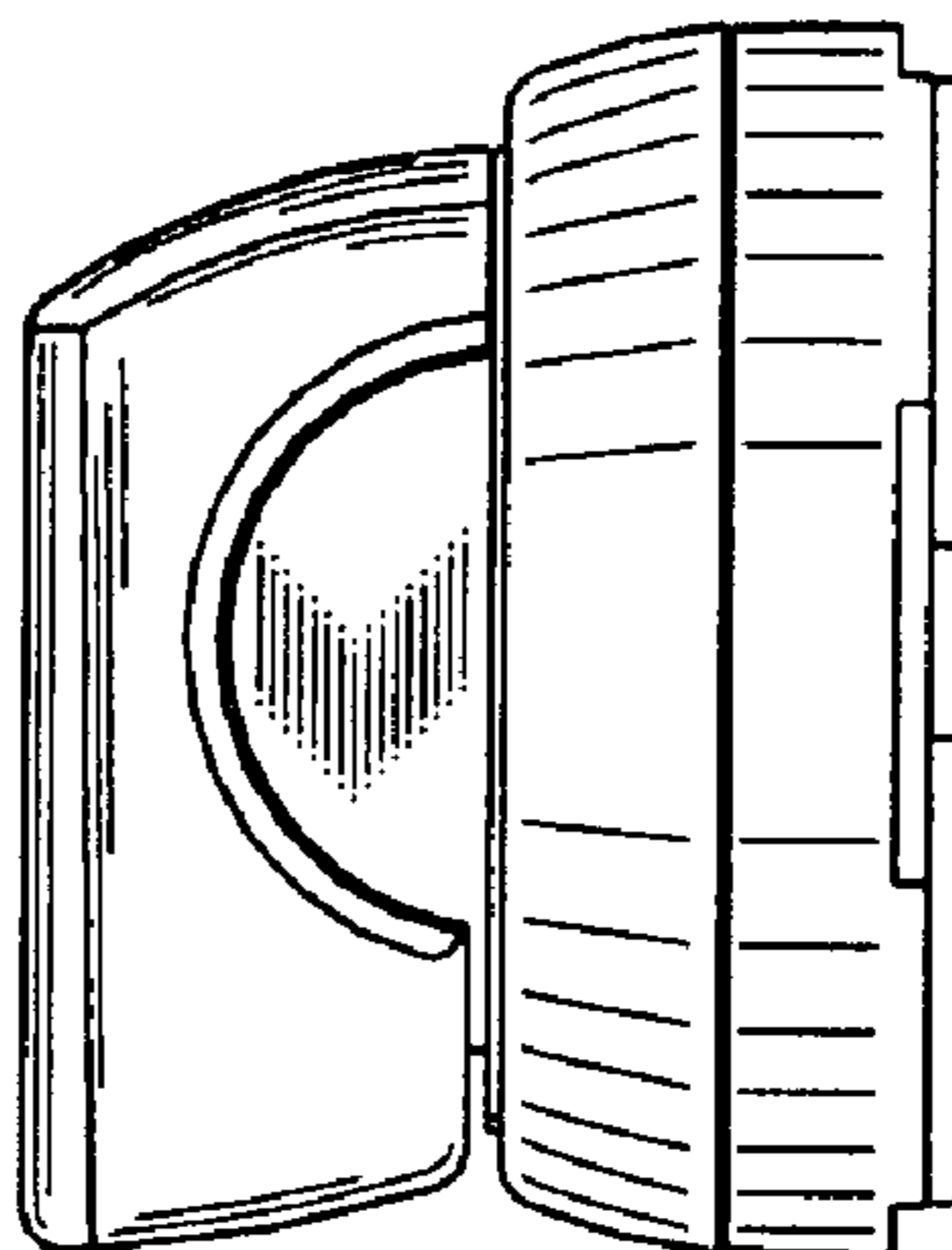


Fig.4

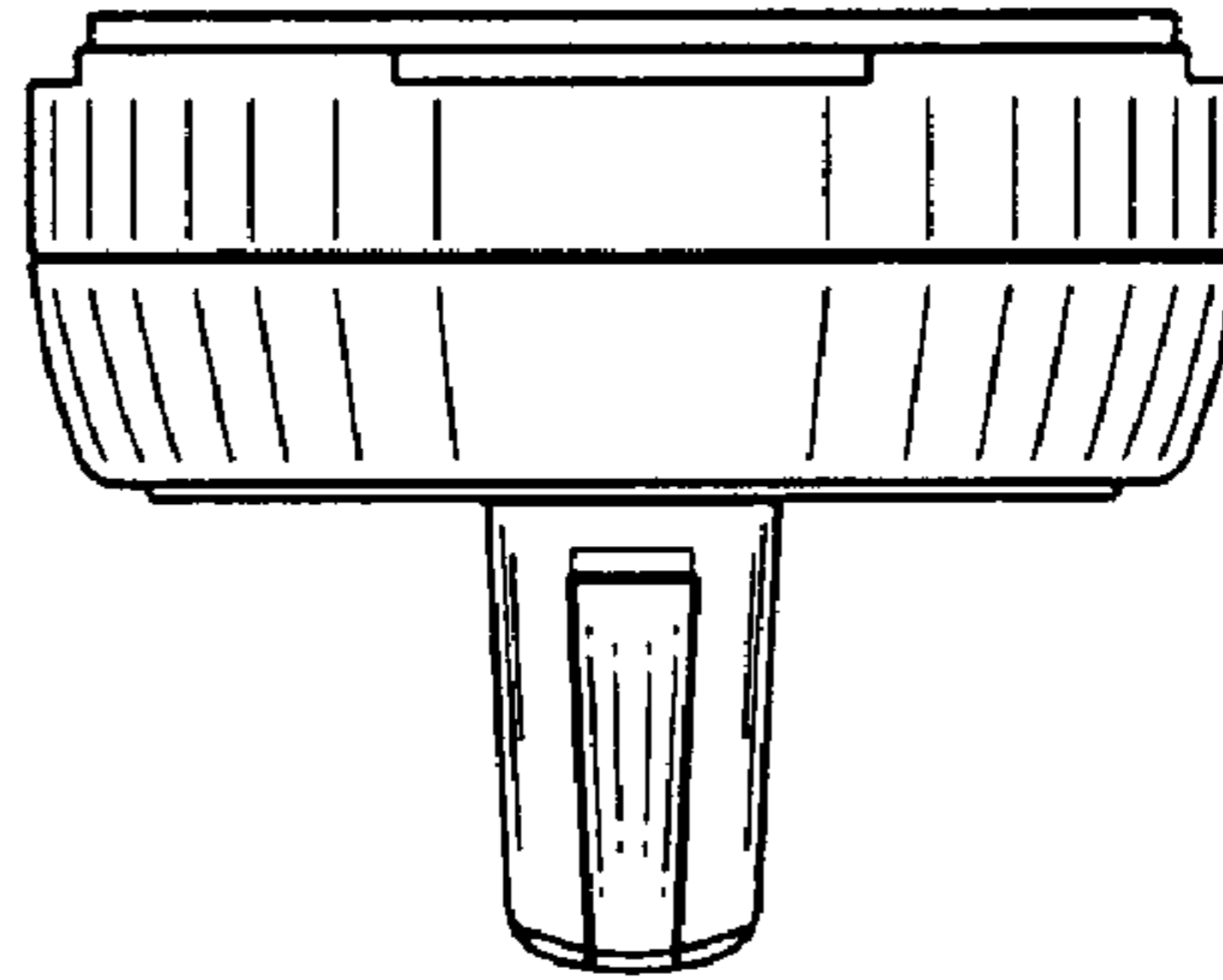


Fig.5

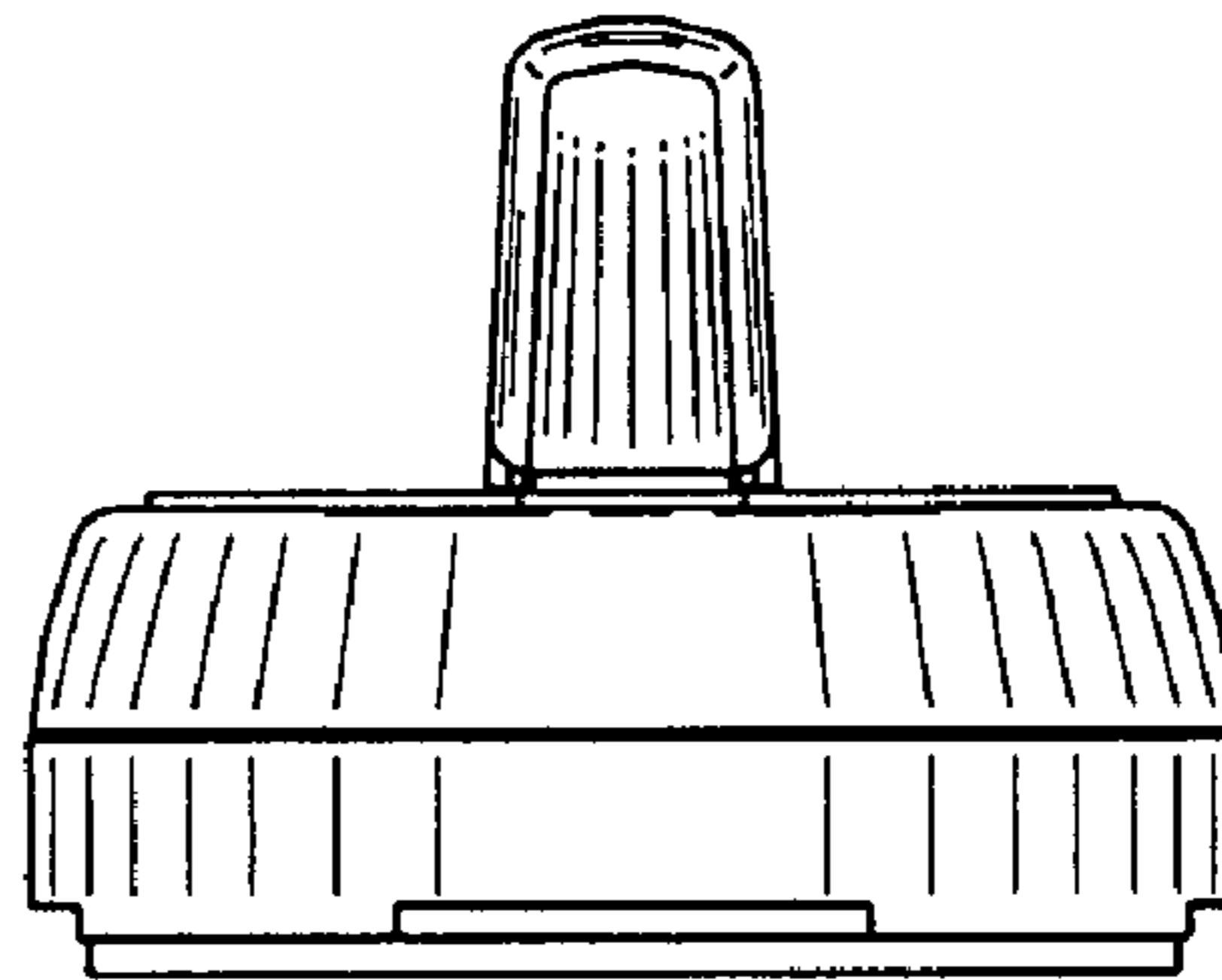


Fig.6

