



US00D559203S

(12) **United States Design Patent** (10) **Patent No.:** **US D559,203 S**  
**Harris, IV et al.** (45) **Date of Patent:** **\*\* Jan. 8, 2008**

(54) **INDICATOR FOR A FUSE**

(75) Inventors: **Edwin James Harris, IV**, Oak Park, IL (US); **Michael Schlaak**, Chicago, IL (US)

(73) Assignee: **Littelfuse, Inc.**, Des Plaines, IL (US)

(\*\*) Term: **14 Years**

(21) Appl. No.: **29/250,430**

(22) Filed: **Nov. 14, 2006**

(51) **LOC (8) Cl.** ..... **13-03**

(52) **U.S. Cl.** ..... **D13/173; D13/161**

(58) **Field of Classification Search** ..... D13/158-177, D13/184; 439/620.26, 620.29; 337/186, 337/198, 262, 404, 290, 295

See application file for complete search history.

(56) **References Cited**

U.S. PATENT DOCUMENTS

2,188,816	A *	1/1940	Rankin	.....	337/244
D184,417	S *	2/1959	Grycktko	.....	D13/160
3,218,413	A	11/1965	Koch		
D209,209	S *	11/1967	Bonanno	.....	D13/160
3,436,711	A	4/1969	Borzoni		
4,148,024	A *	4/1979	Kuhn et al.	.....	340/638
4,263,575	A	4/1981	Fontaine		
4,499,447	A	2/1985	Greenberg		
4,514,723	A	4/1985	Leal		
4,604,602	A	8/1986	Borzoni		
4,695,815	A	9/1987	Hwang		
4,712,081	A	12/1987	Bosley		
5,004,995	A	4/1991	Lo		
5,111,177	A	5/1992	Krueger et al.		
5,287,080	A	2/1994	Linton et al.		
5,300,913	A	4/1994	Linton		
5,598,136	A	1/1997	Kano et al.		
5,598,138	A	1/1997	Jaronczyk, Jr.		
5,739,737	A *	4/1998	Hatton	.....	337/206
D454,118	S *	3/2002	Winkler	.....	D13/158
D454,119	S *	3/2002	Winkler	.....	D13/158
6,448,897	B1 *	9/2002	Ku	.....	340/638

6,522,234	B1	2/2003	Sturgill		
7,126,488	B1 *	10/2006	May	.....	340/638
2002/0149464	A1 *	10/2002	Santa Cruz et al.	.....	337/376
2002/0181221	A1 *	12/2002	Ries et al.	.....	361/837
2006/0017540	A1 *	1/2006	Smith	.....	337/242

FOREIGN PATENT DOCUMENTS

EP	0044997	7/1981
EP	0 201 714	4/1986
EP	0 213 404	7/1986

(Continued)

OTHER PUBLICATIONS

Excerpt from Ultra Application Manual 89/90 (cover sheet only in English) (3 pages), showing "Fuse Eye" product manufactured by Nagai Electronic Instrument Company, Japan, dated Oct. 1989. Photocopy of package for Littelfuse Circuit Alert ATO Auto Fuse, front and back sides (2 pages), dated approximately 1995.

*Primary Examiner*—Selina Sikder

*Assistant Examiner*—Thomas J Johannes

(74) *Attorney, Agent, or Firm*—Bell, Boyd & Lloyd, LLP

(57) **CLAIM**

The ornamental design for an indicator for a fuse, as shown and described.

**DESCRIPTION**

FIG. 1 is a top perspective view of an indicator for a fuse showing our new design;

FIG. 2 is a front view thereof, wherein the rear view is a mirror image thereof;

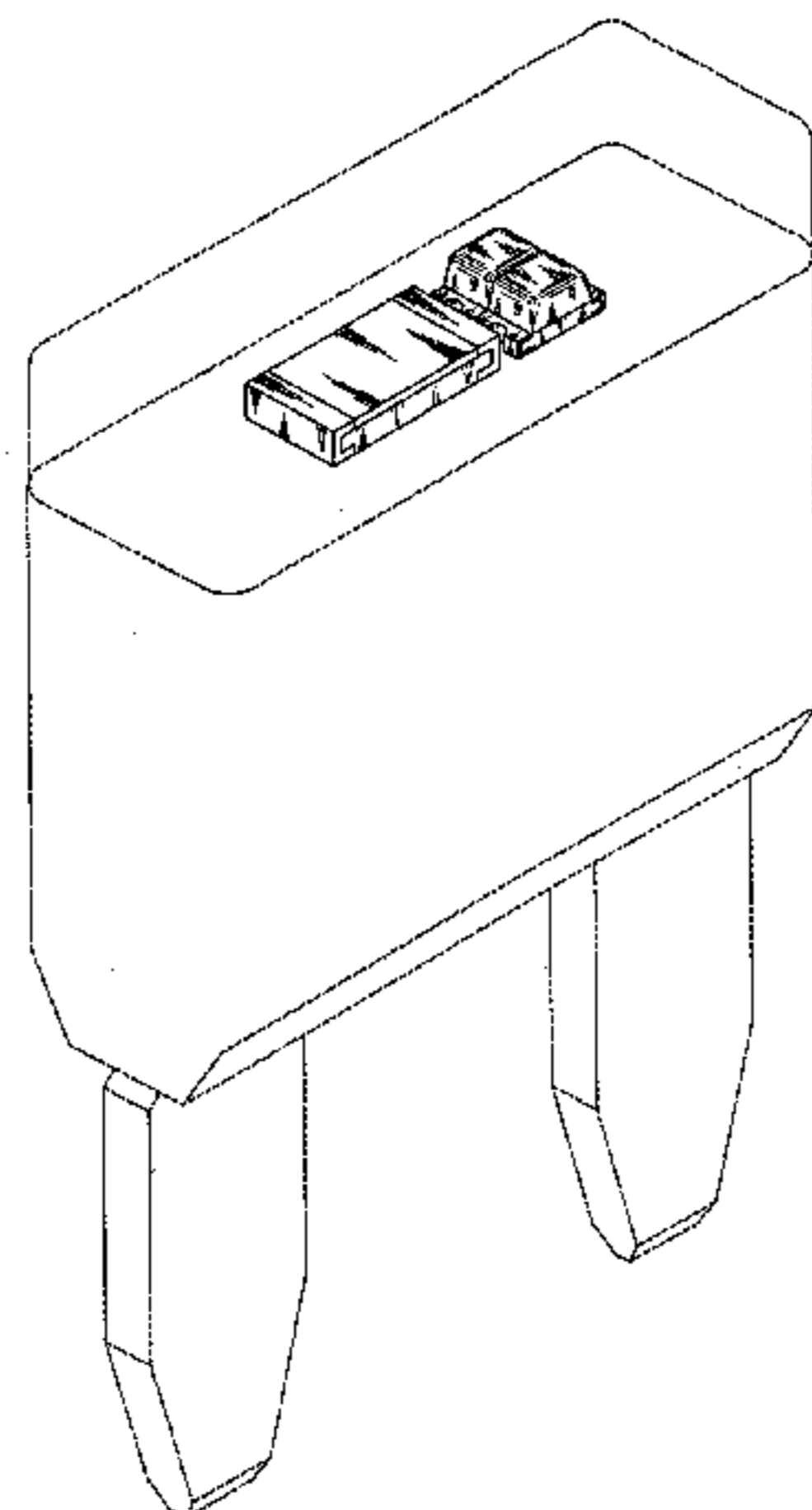
FIG. 3 is a first side view thereof;

FIG. 4 is a second side view thereof; and,

FIG. 5 is a top view thereof.

The ornamental design which is claimed is shown in solid lines in the drawings. Any broken lines in the drawings are for illustrative purposes only and form no part of the claimed design.

**1 Claim, 4 Drawing Sheets**



# US D559,203 S

Page 2

---

FOREIGN PATENT DOCUMENTS					
			GB	2 223 981	4/1990
			WO	95/17761	6/1995
			WO	02/01591	1/2002
			WO	03/028060	4/2003
EP	0 271 449	5/1987			
EP	1 003 194	11/1998			
EP	1 336 853	2/2002			
GB	1 549 932	8/1979			
GB	2 223 487	4/1990			

\* cited by examiner

FIG.1

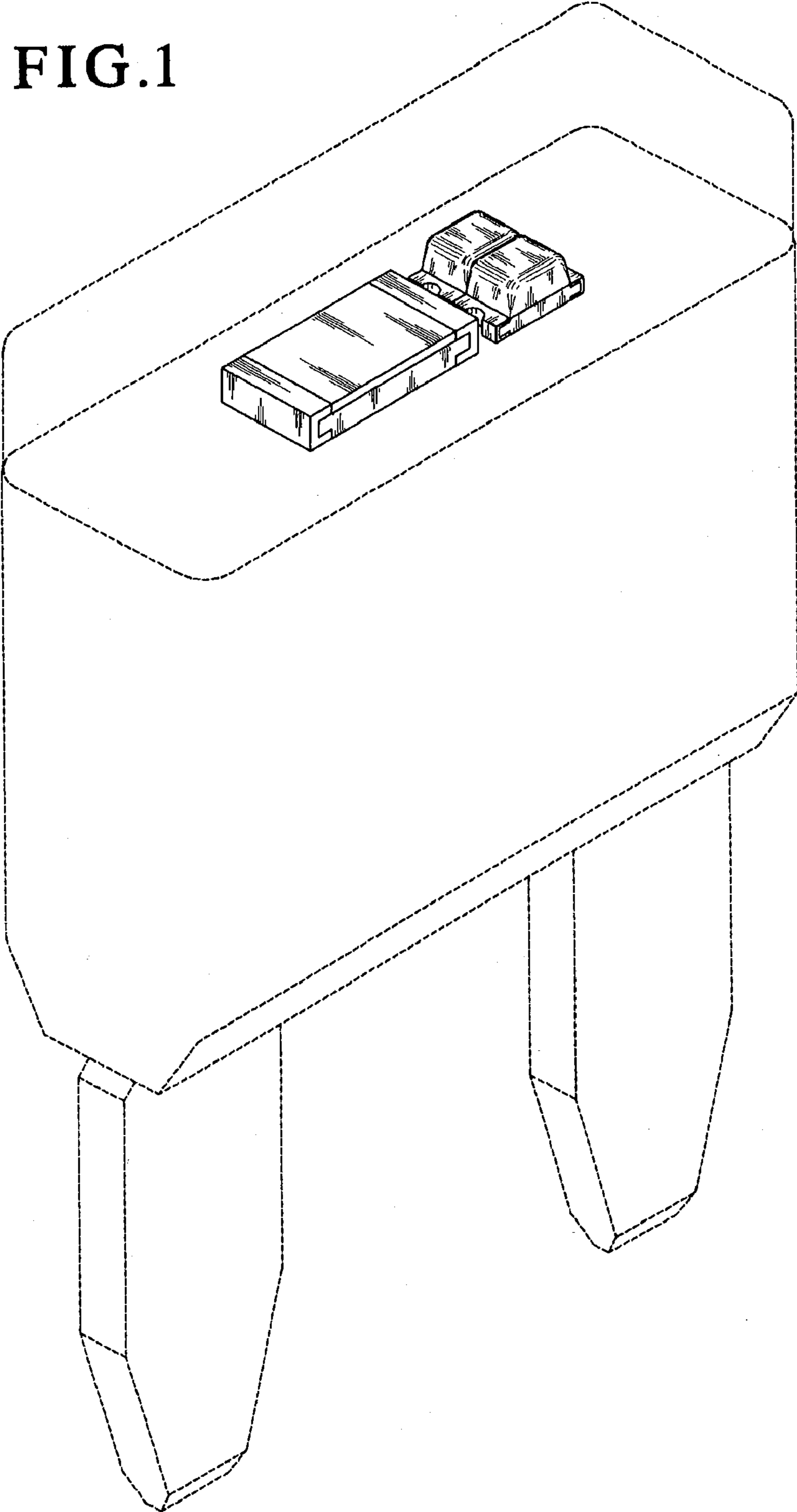


FIG. 2

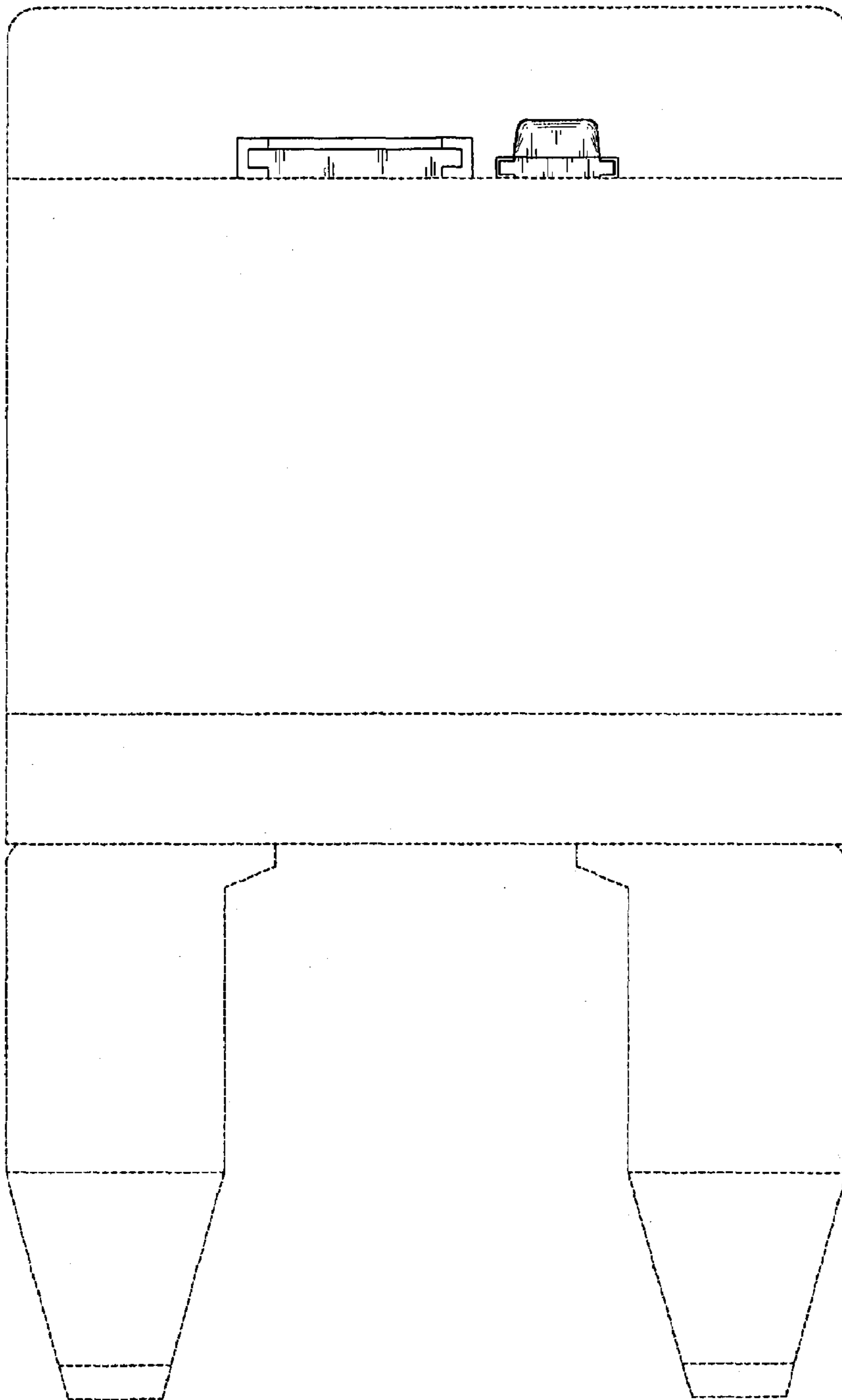


FIG.3

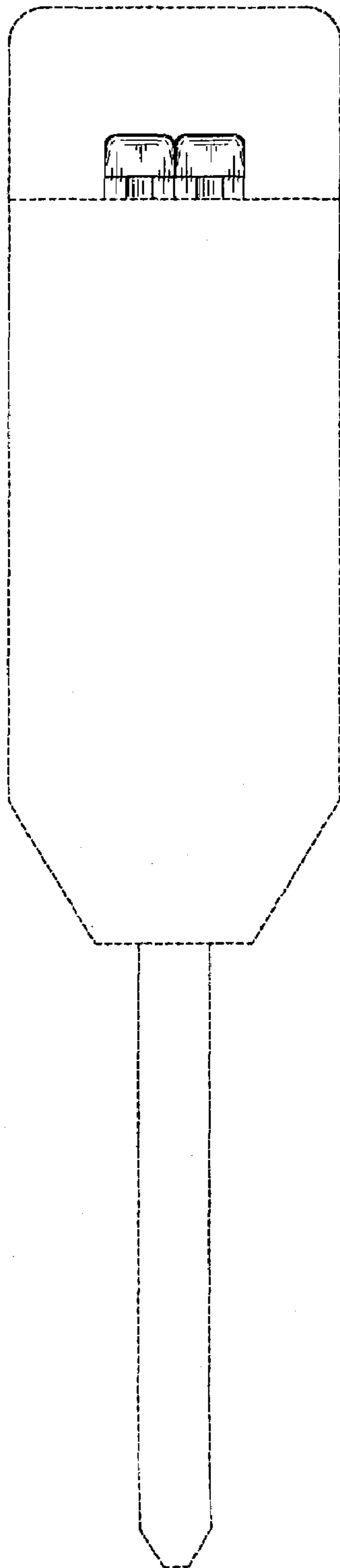


FIG.4

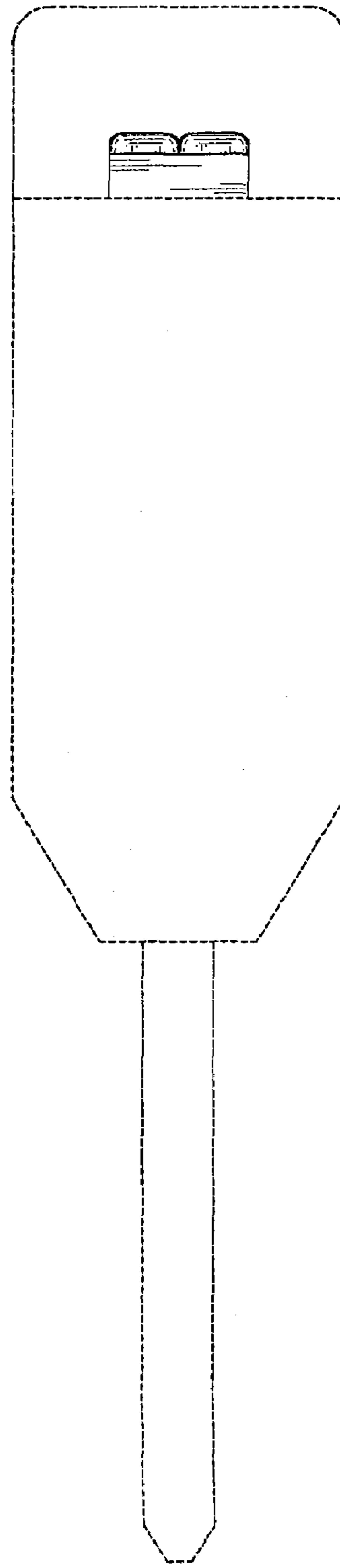


FIG. 5

