



US00D559199S

(12) **United States Design Patent**  
**Schürg et al.**

(10) **Patent No.:** **US D559,199 S**  
(45) **Date of Patent:** **\*\* Jan. 8, 2008**

(54) **FOOT-OPERATED SWITCH**

(75) Inventors: **Peter Schürg**, Mössingen (DE);  
**Roland Hundt**, Neckartailfingen (DE)

(73) Assignee: **Erbe Elektromedizin GmbH**,  
Tubingen (DE)

(\*\*) Term: **14 Years**

(21) Appl. No.: **29/278,692**

(22) Filed: **Apr. 6, 2007**

**Related U.S. Application Data**

(62) Division of application No. 29/256,100, filed on Mar. 15, 2006, now Pat. No. Des. 545,773.

(51) **LOC (8) Cl.** ..... **13-03**

(52) **U.S. Cl.** ..... **D13/167**

(58) **Field of Classification Search** ..... D13/167;  
D15/72; D24/179; 5/600, 616; 74/512,  
74/616; 200/43.01, 61.09, 61.89, 85.5, 86 R;  
297/71, 330; 338/153; 433/101  
See application file for complete search history.

(56) **References Cited**

**U.S. PATENT DOCUMENTS**

D148,589 S	2/1948	Stone et al.	
2,804,838 A	6/1957	Moser	
5,883,615 A	3/1999	Fago et al.	
6,051,797 A	4/2000	Meinel	
6,064,015 A	5/2000	Braaten	
6,313,421 B1	11/2001	Abrahamsen	
7,058,998 B2	6/2006	Diller et al.	
D545,773 S *	7/2007	Schurg et al. ....	D13/167

2002/0137007 A1 9/2002 Beerstecher  
2003/0004497 A1 1/2003 Chappuis  
2005/0026108 A1 2/2005 Meingassner et al.  
2005/0138727 A1 6/2005 Faux et al.

\* cited by examiner

*Primary Examiner*—Selina Sikder

(74) *Attorney, Agent, or Firm*—Dickstein Shapiro LLP

(57) **CLAIM**

The ornamental design for a foot-operated switch, as shown and described.

**DESCRIPTION**

FIG. 1 is a top plan view of a first embodiment of a foot-operated switch in accordance with our new design;

FIG. 2 is a front perspective view thereof;

FIG. 3 is a rear elevation view thereof;

FIG. 4 is a left elevation view thereof, the right elevation view being a mirror image;

FIG. 5 is a bottom plan view thereof;

FIG. 6 is a front elevation view thereof;

FIG. 7 is a top plan view of a second embodiment of the foot-operated switch in accordance with our new design;

FIG. 8 is a front perspective view thereof;

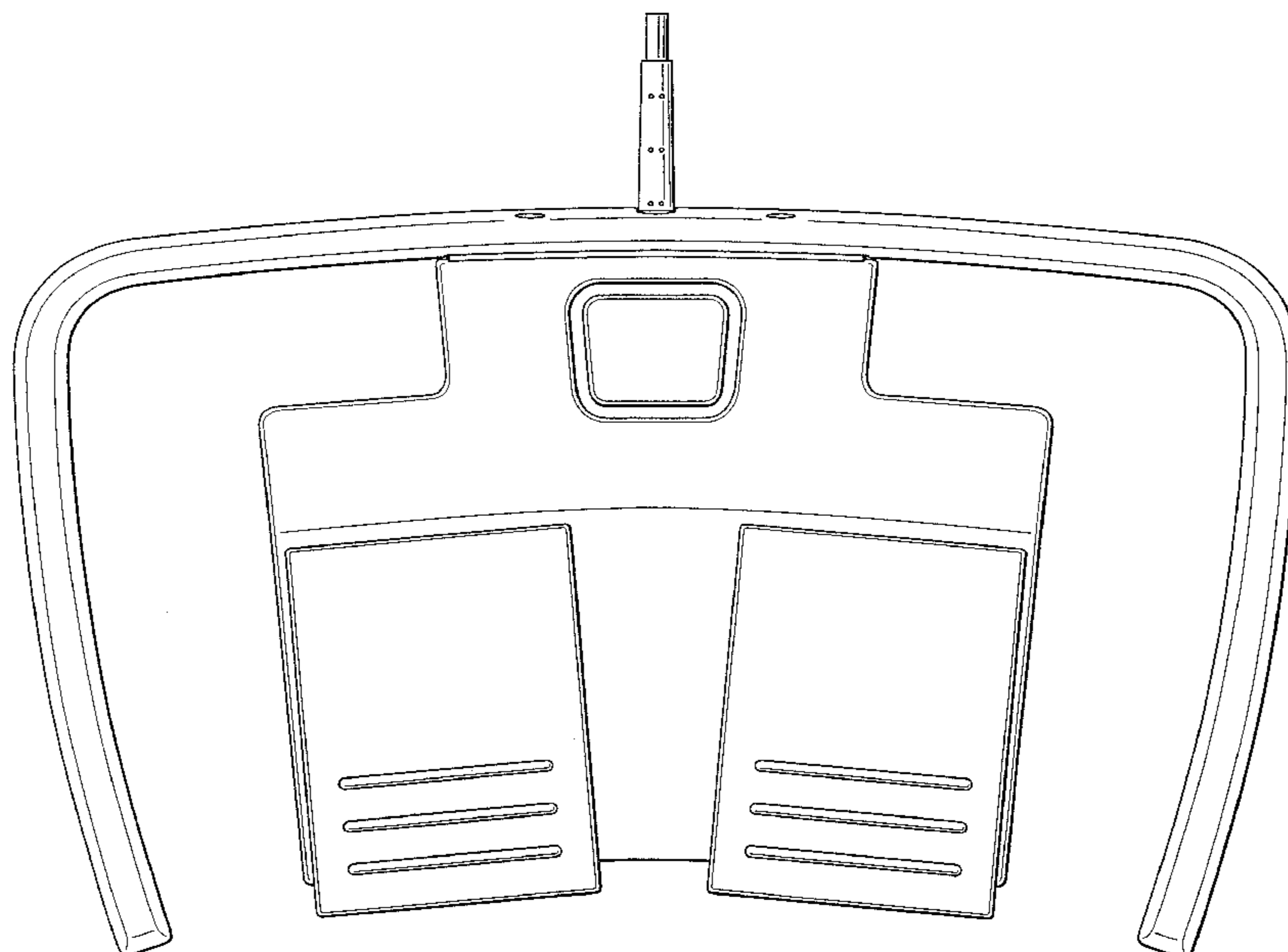
FIG. 9 is a rear elevation view thereof;

FIG. 10 is a left elevation view thereof, the right elevation view being a mirror image;

FIG. 11 is a bottom plan view thereof; and,

FIG. 12 is a front elevation view thereof.

**1 Claim, 12 Drawing Sheets**



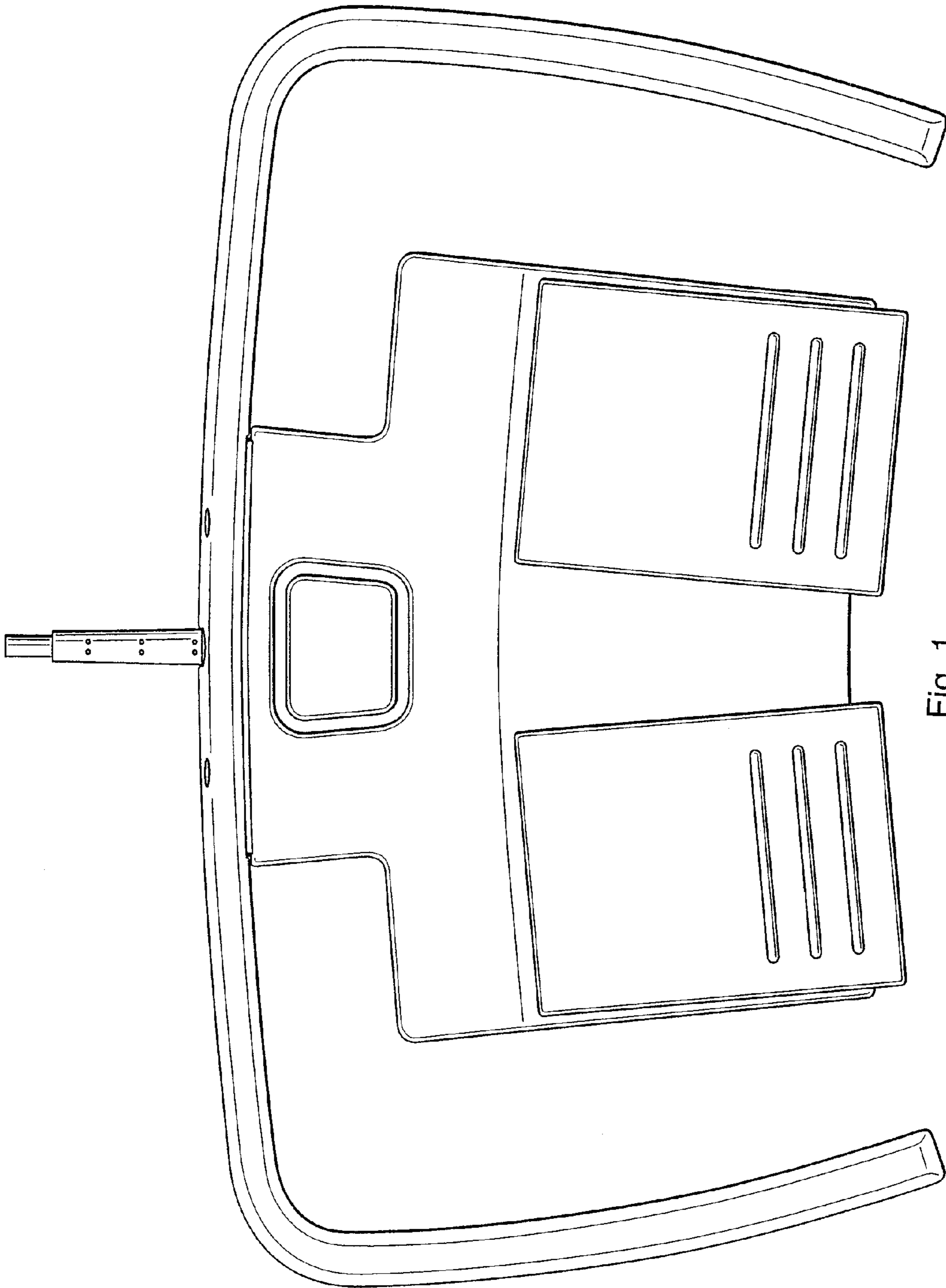


Fig. 1

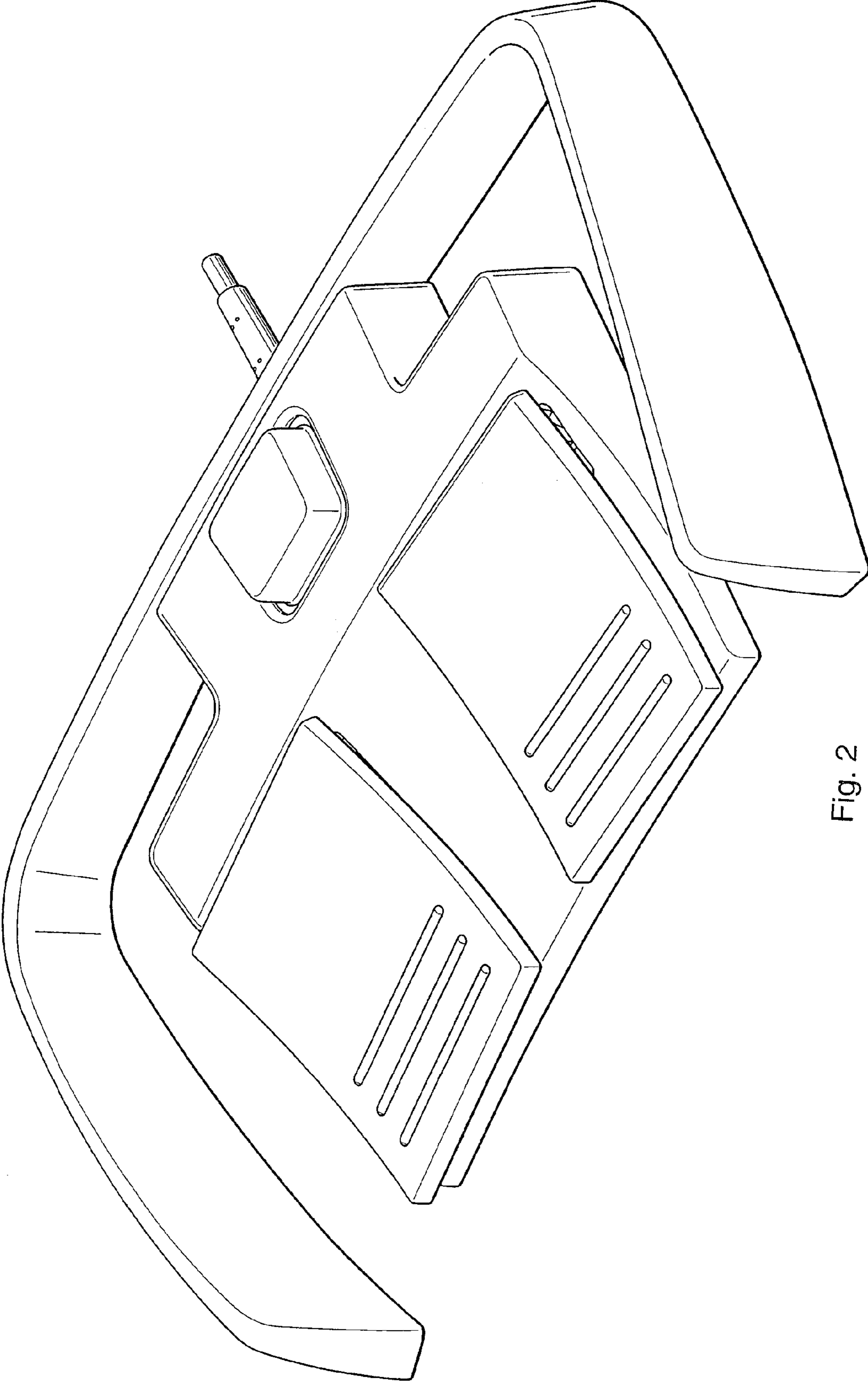


Fig. 2

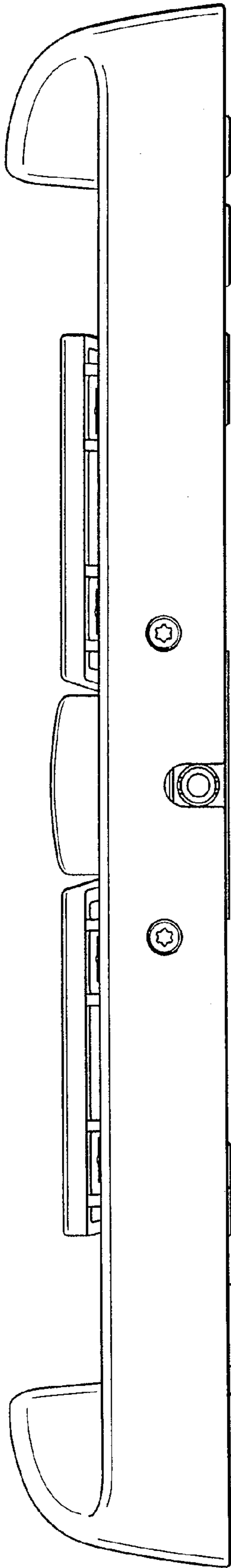


Fig. 3

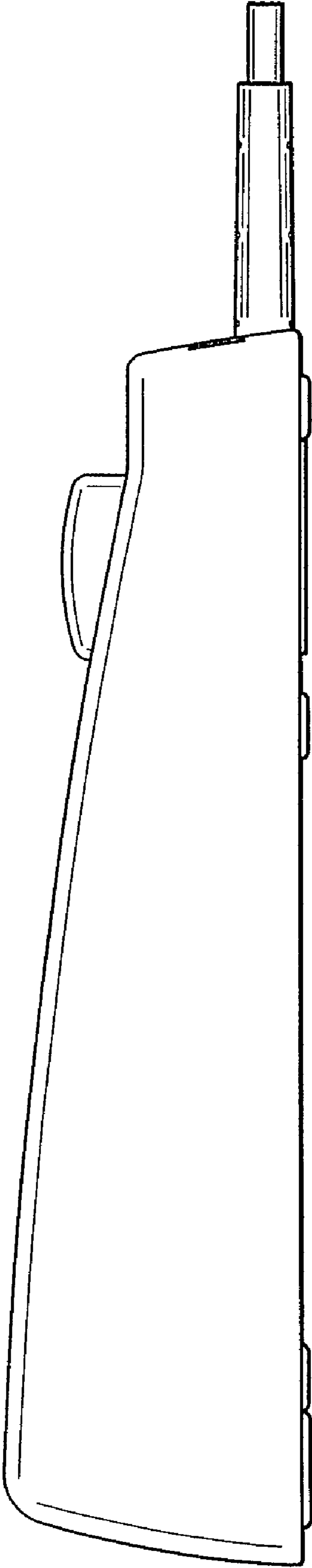


Fig. 4

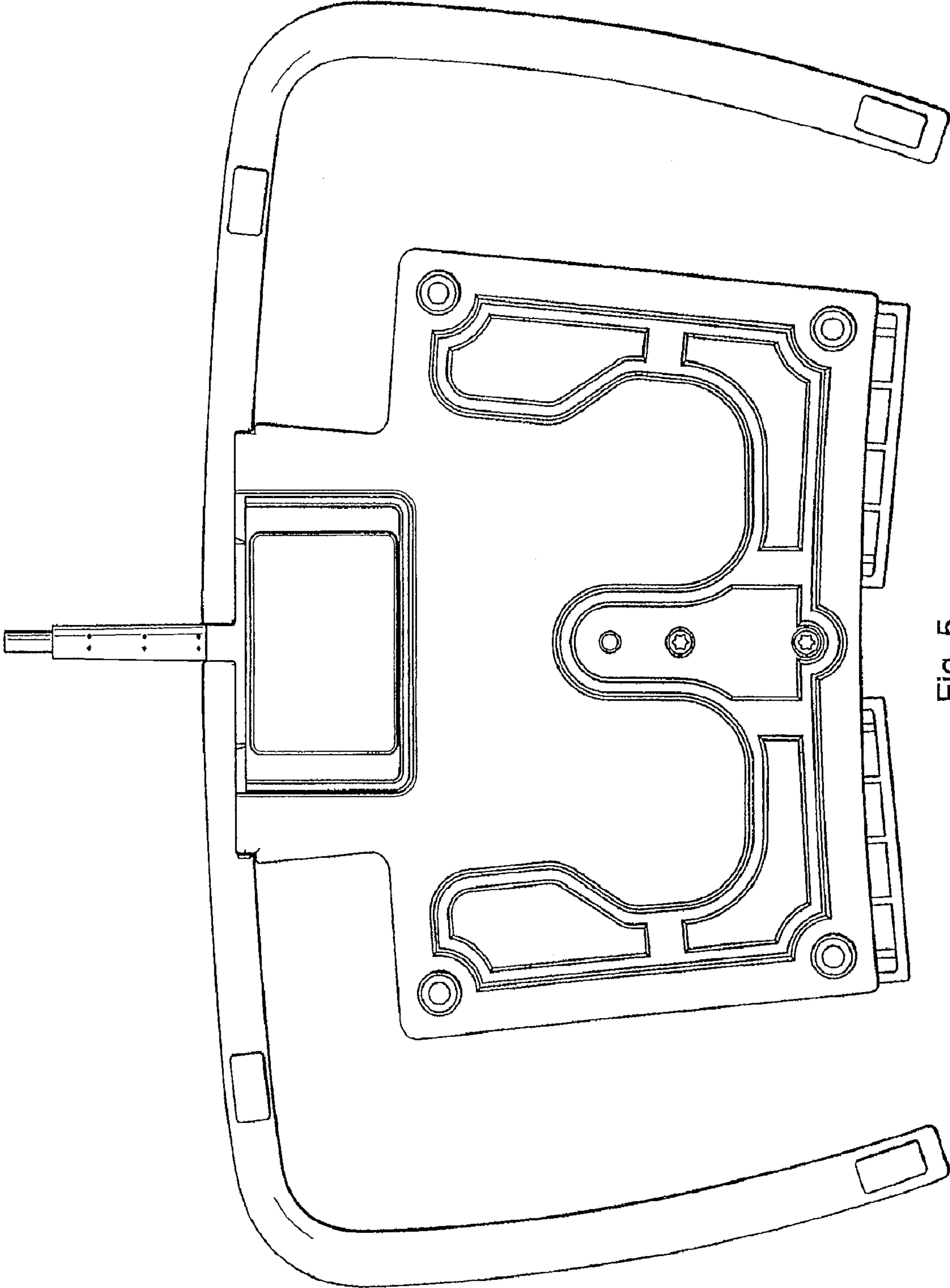


Fig. 5



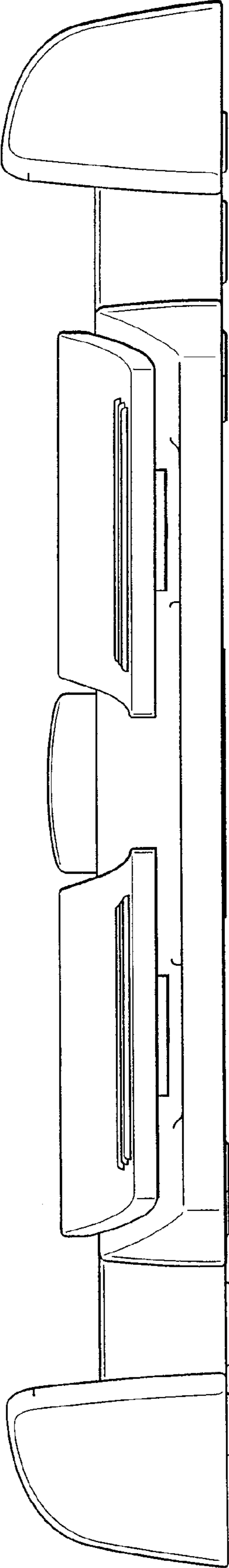


Fig. 6

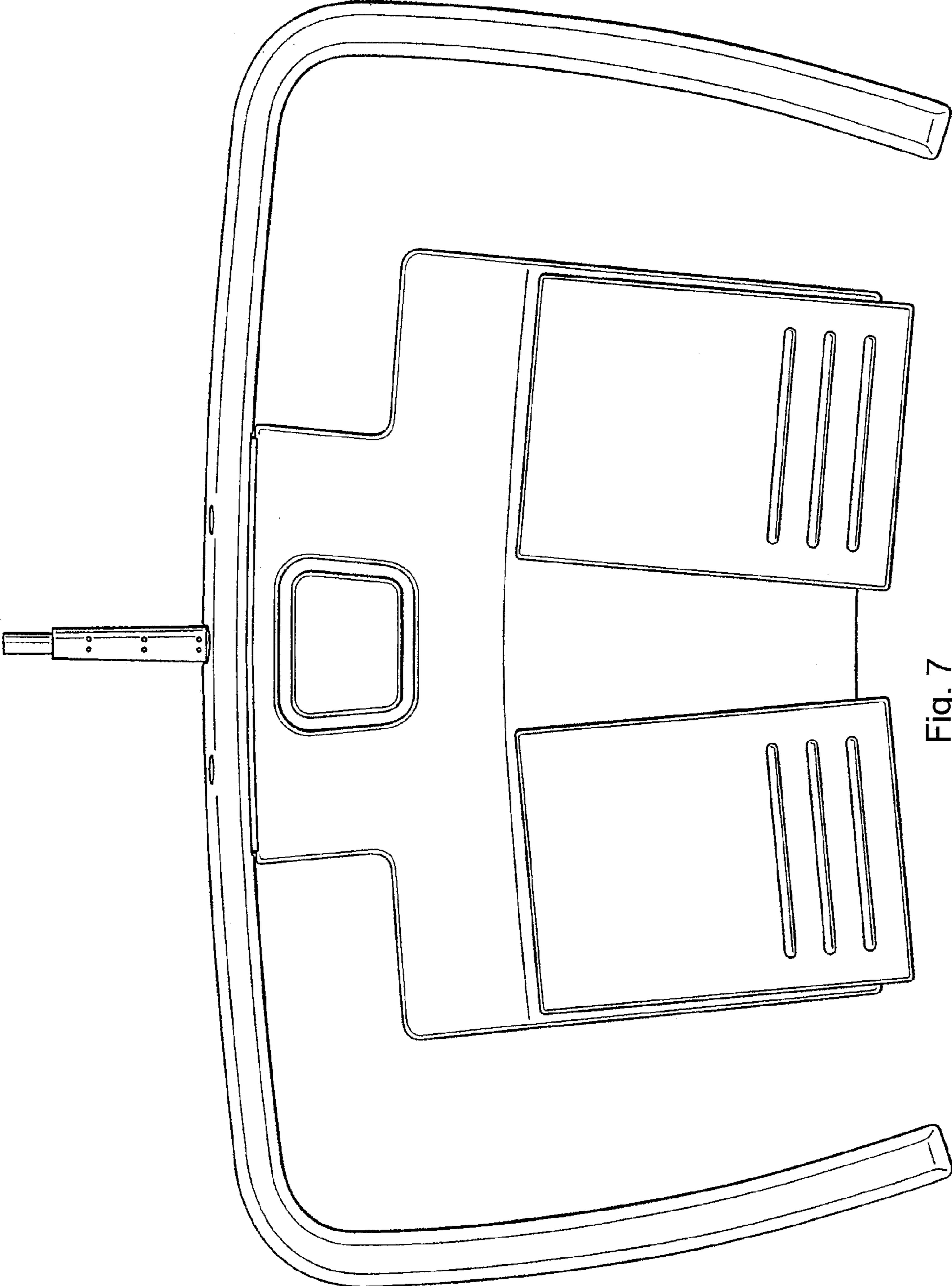


Fig. 7



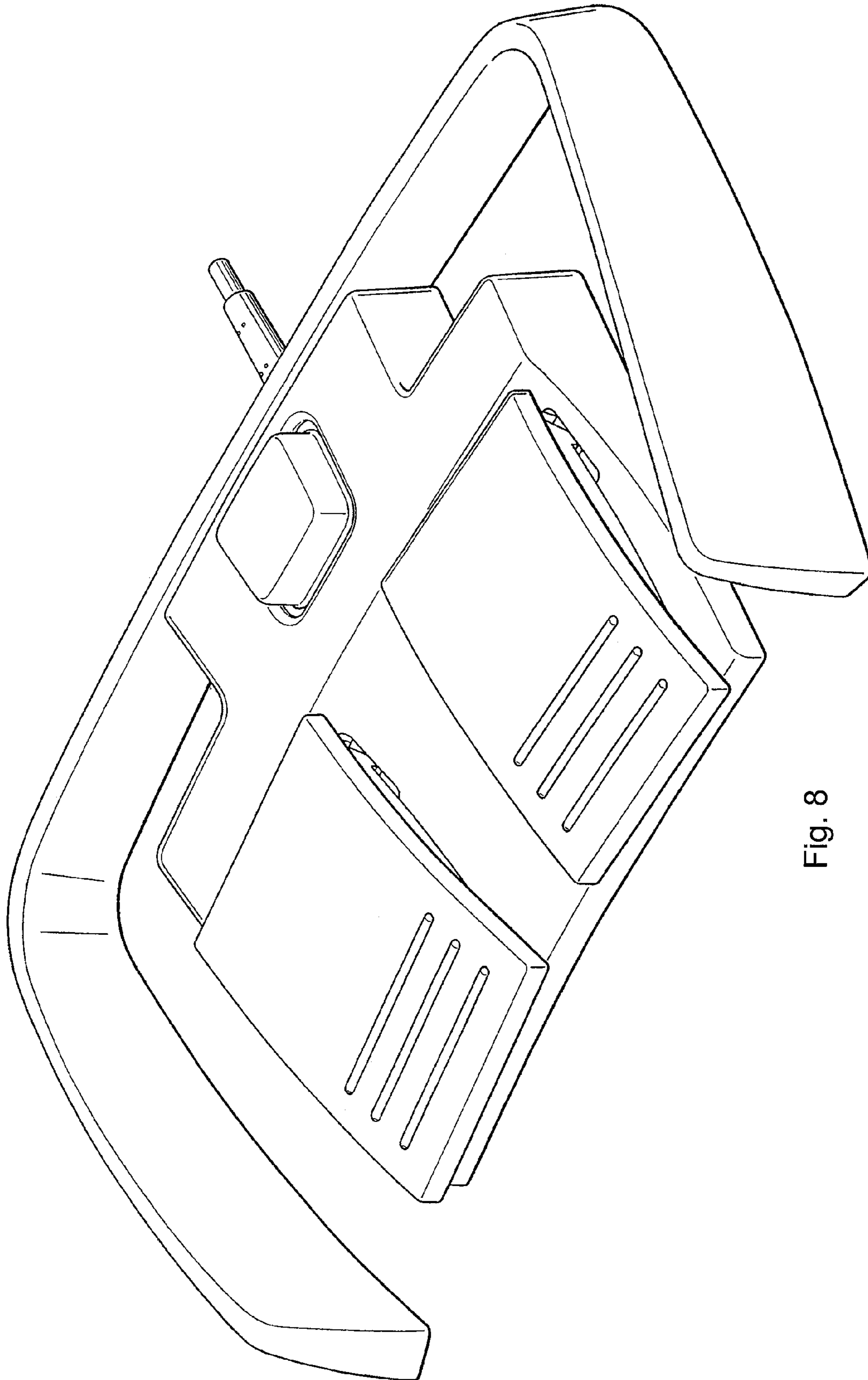


Fig. 8

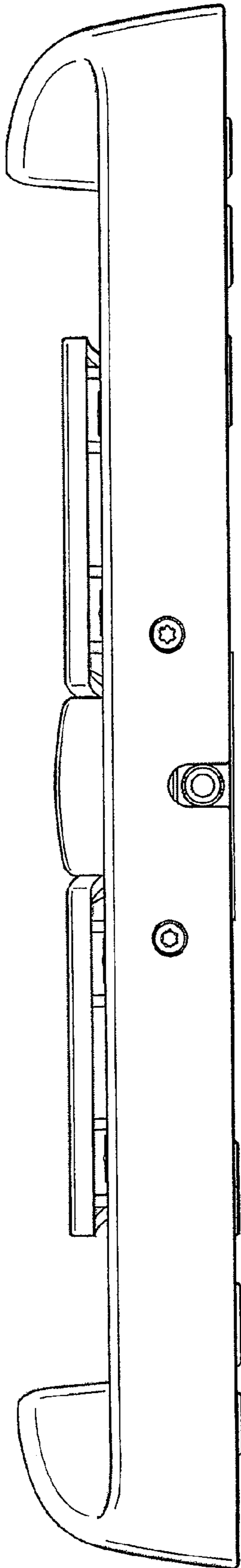


Fig. 9

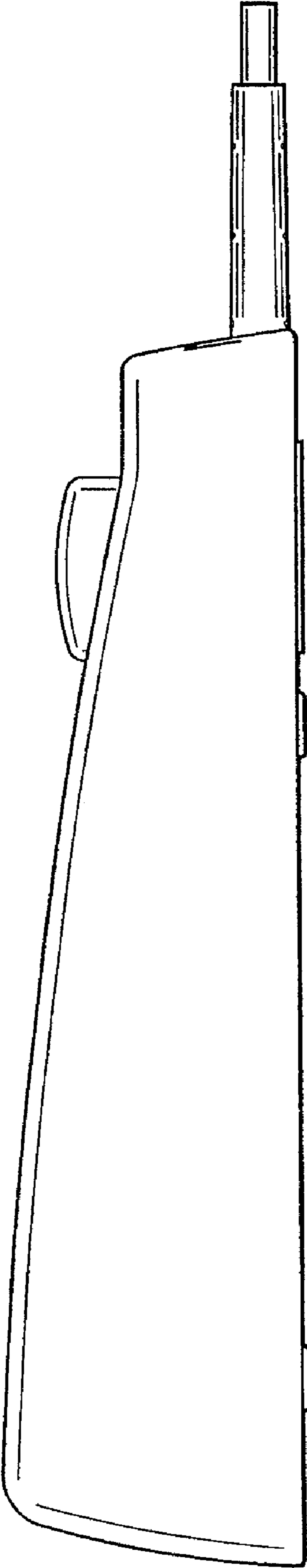


Fig. 10

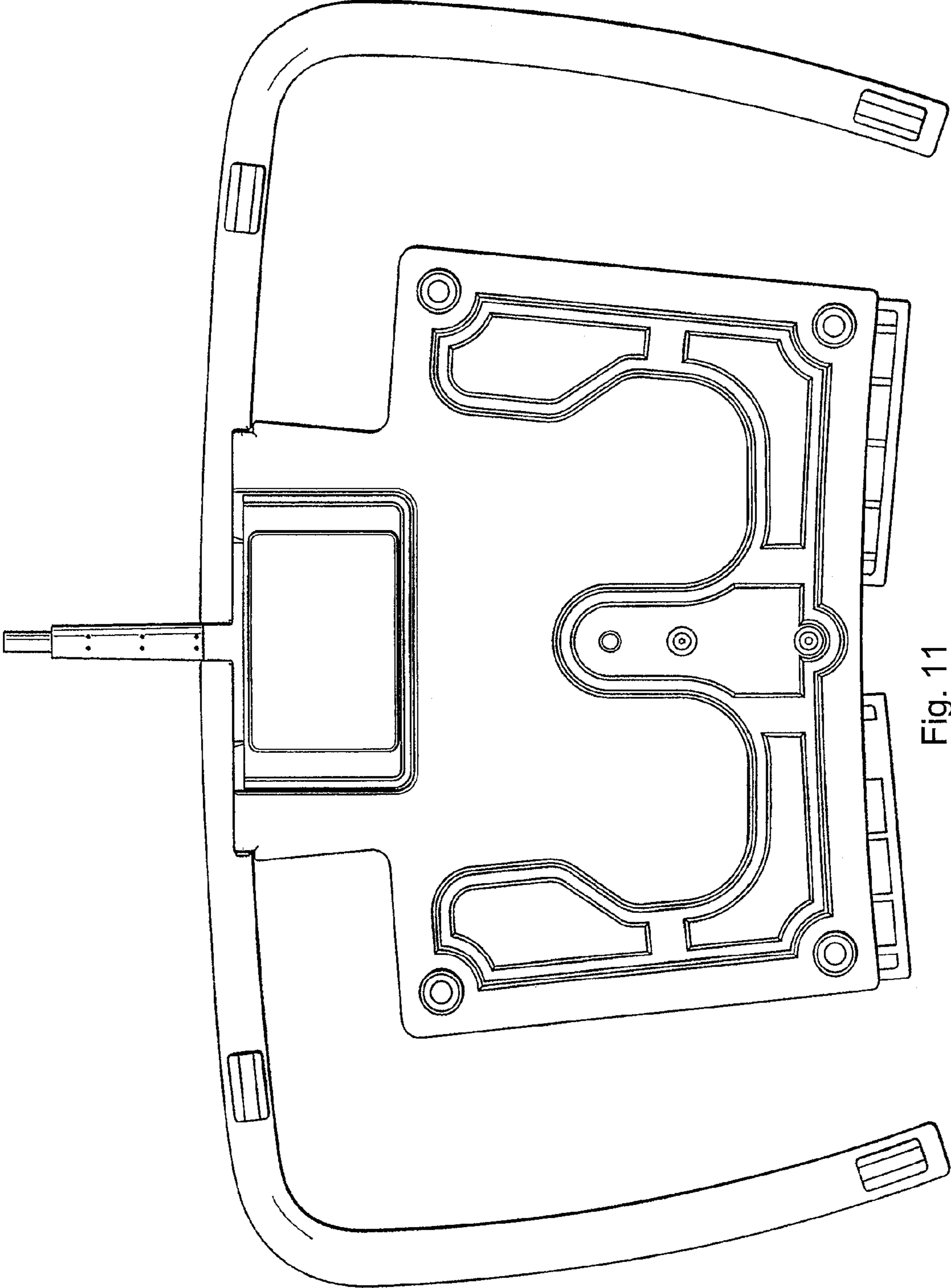


Fig. 11

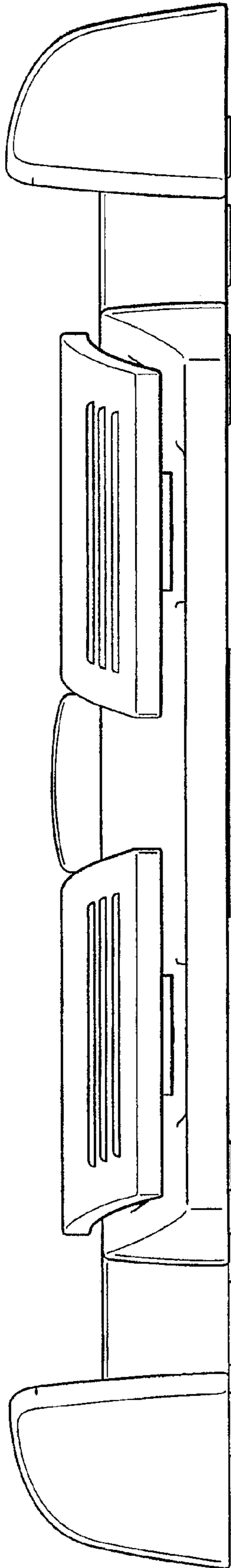


Fig. 12