



US00D559197S

(12) **United States Design Patent**  
**Lim et al.**

(10) **Patent No.: US D559,197 S**  
(45) **Date of Patent: \*\* Jan. 8, 2008**

(54) **CONTROL STRIP FOR ELECTRONIC APPLIANCES**

2006/0180454 A1\* 8/2006 Zensai ..... 200/341  
2006/0185968 A1\* 8/2006 Dzioba ..... 200/5 R

(75) Inventors: **Wai-Loong Lim**, San Francisco, CA (US); **Mieko Kusano**, Santa Barbara, CA (US); **Robert A. Lambourne**, Santa Barbara, CA (US); **Raymond L. Gradwohl**, Saratoga, CA (US); **Jacques Gagne**, Los Gatos, CA (US)

\* cited by examiner

*Primary Examiner*—Selina Sikder  
(74) *Attorney, Agent, or Firm*—Carr & Ferrell LLP

(73) Assignee: **Sonos, Inc.**, Santa Barbara, CA (US)

(57) **CLAIM**

We claim the ornamental design for a control strip for electronic appliances, as shown and described.

(\*\*) Term: **14 Years**

(21) Appl. No.: **29/259,064**

(22) Filed: **May 1, 2006**

**DESCRIPTION**

**Related U.S. Application Data**

(63) Continuation of application No. 29/199,212, filed on Feb. 11, 2004, now Pat. No. Des. 524,251.

FIG. 1 is a front view of the control strip for electronic appliances constructed in accordance with an embodiment of the invention;

FIG. 2 is a perspective view thereof;

FIG. 3 is a front view of another embodiment of the control strip for electronic appliances in a non-illuminated state;

FIG. 4 is a front view thereof showing the control strip for electronic appliances in an illuminated state;

(51) **LOC (8) Cl.** ..... **13-03**

(52) **U.S. Cl.** ..... **D13/162; D13/174**

(58) **Field of Classification Search** ..... D13/162, D13/164, 171, 173, 174; D10/104, 106; D14/218, 247; 340/825.22, 825.24, 825.25, 340/825.31, 825.36, 825.69, 825.71, 825.72; 341/20, 22, 23, 34, 173, 174, 176; 345/156, 345/168, 169; 348/734; 455/92, 95, 100, 455/128, 151.1–151.4, 325–355; 463/39; 700/17, 19, 20, 281; 200/5 R, 5 A, 341; 315/291

FIG. 5 is a perspective view thereof showing the control strip for electronic appliances in a non-illuminated state;

FIG. 6 is a perspective view thereof showing the control strip for electronic appliances in an illuminated state;

FIG. 7 is a front view of yet another embodiment of the control strip for electronic appliances in a non-illuminated state;

FIG. 8 is a front view thereof showing the control strip for electronic appliances in an illuminated state;

See application file for complete search history.

FIG. 9 is a perspective view thereof showing the control strip for electronic appliances in a non-illuminated state; and,

FIG. 10 is a perspective view thereof showing the control strip for electronic appliances in an illuminated state.

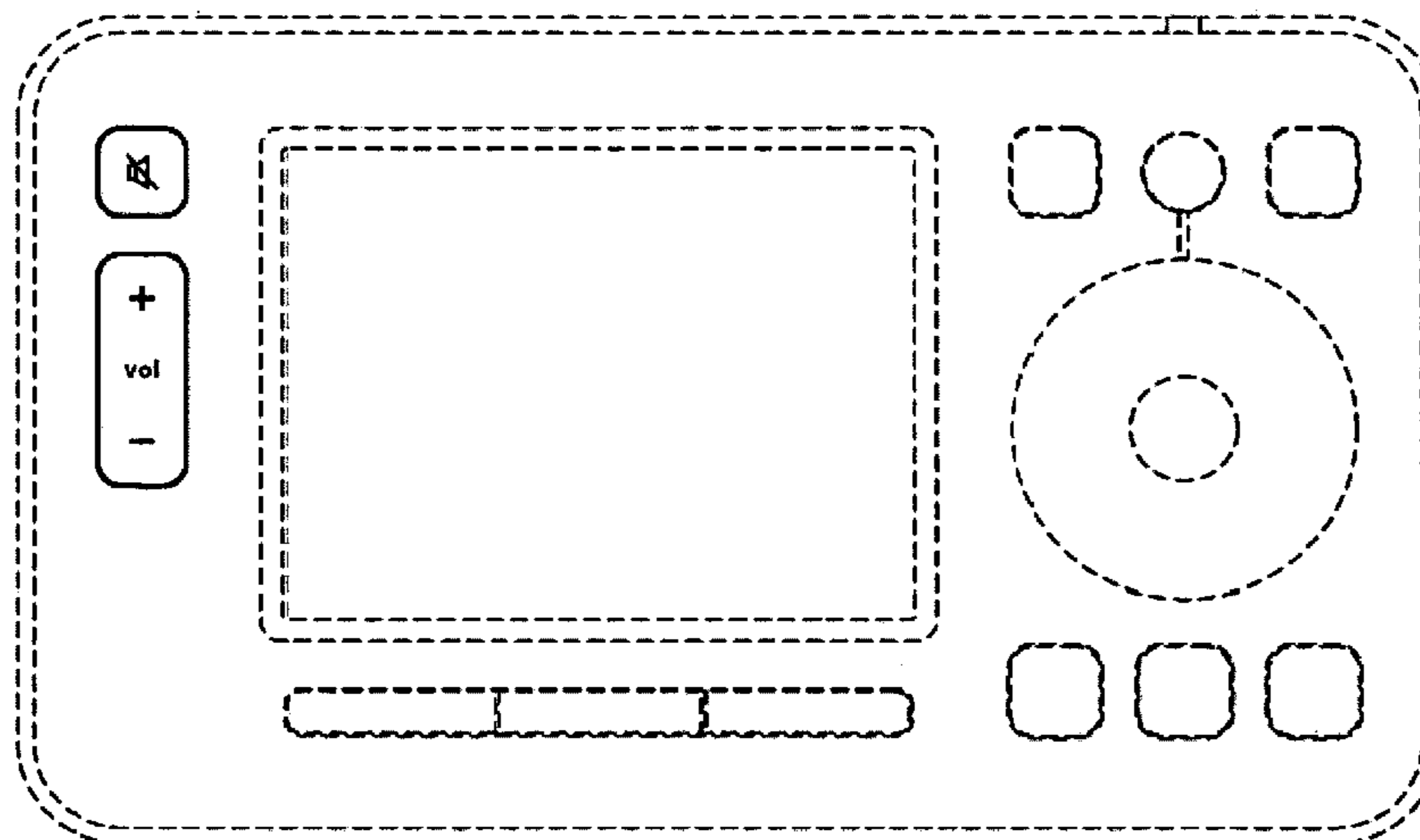
The broken lines represent unclaimed subject matter.

(56) **References Cited**

**U.S. PATENT DOCUMENTS**

4,710,597 A \* 12/1987 Loheac ..... 200/5 A  
D305,018 S \* 12/1989 Pena et al. .... D13/164  
D373,998 S \* 9/1996 Tutt et al. .... D13/168  
6,046,550 A \* 4/2000 Ference et al. .... 315/291  
D524,251 S \* 7/2006 Lim et al. .... D13/164

**1 Claim, 10 Drawing Sheets**



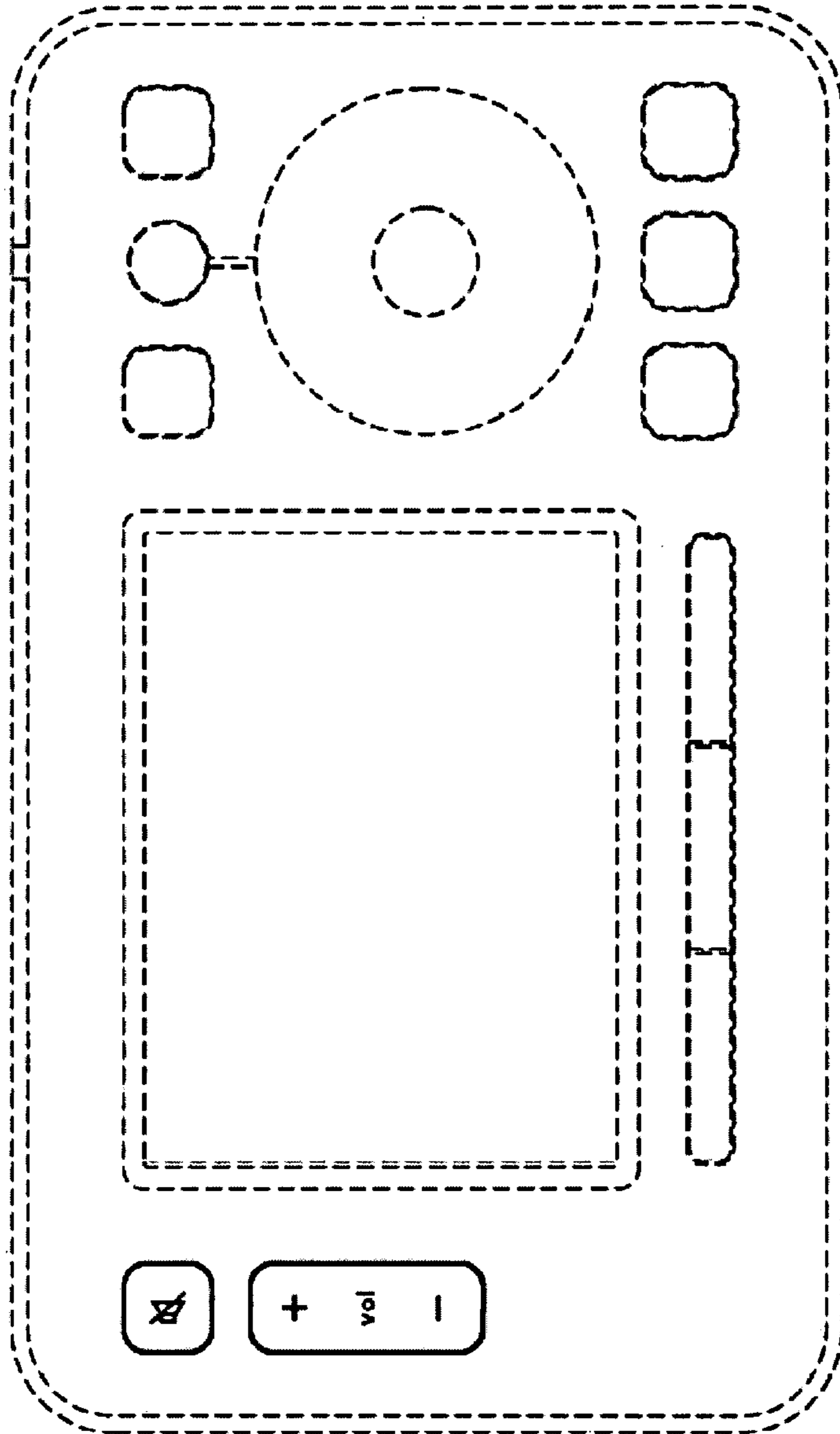


Fig. 1

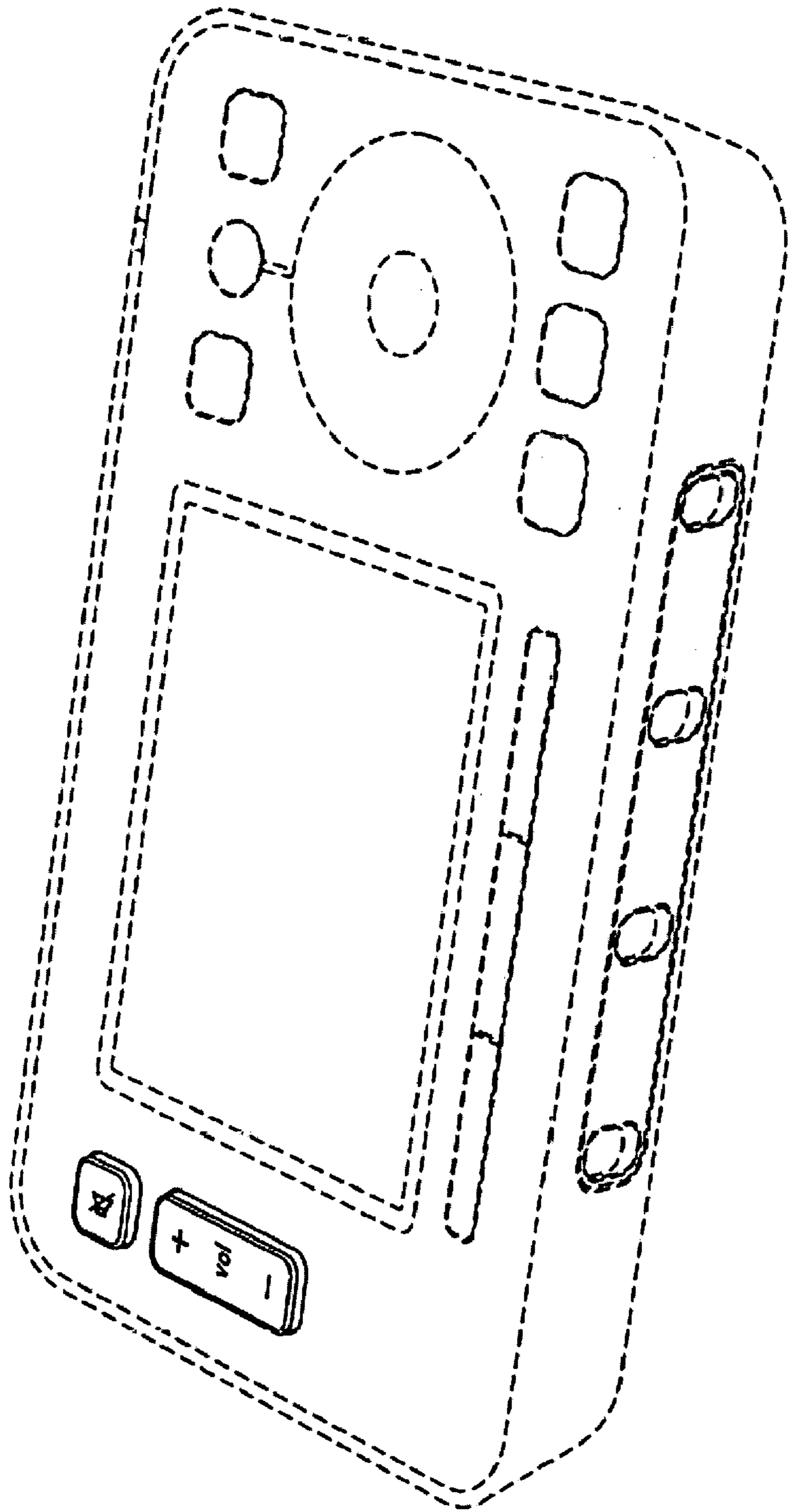


Fig. 2

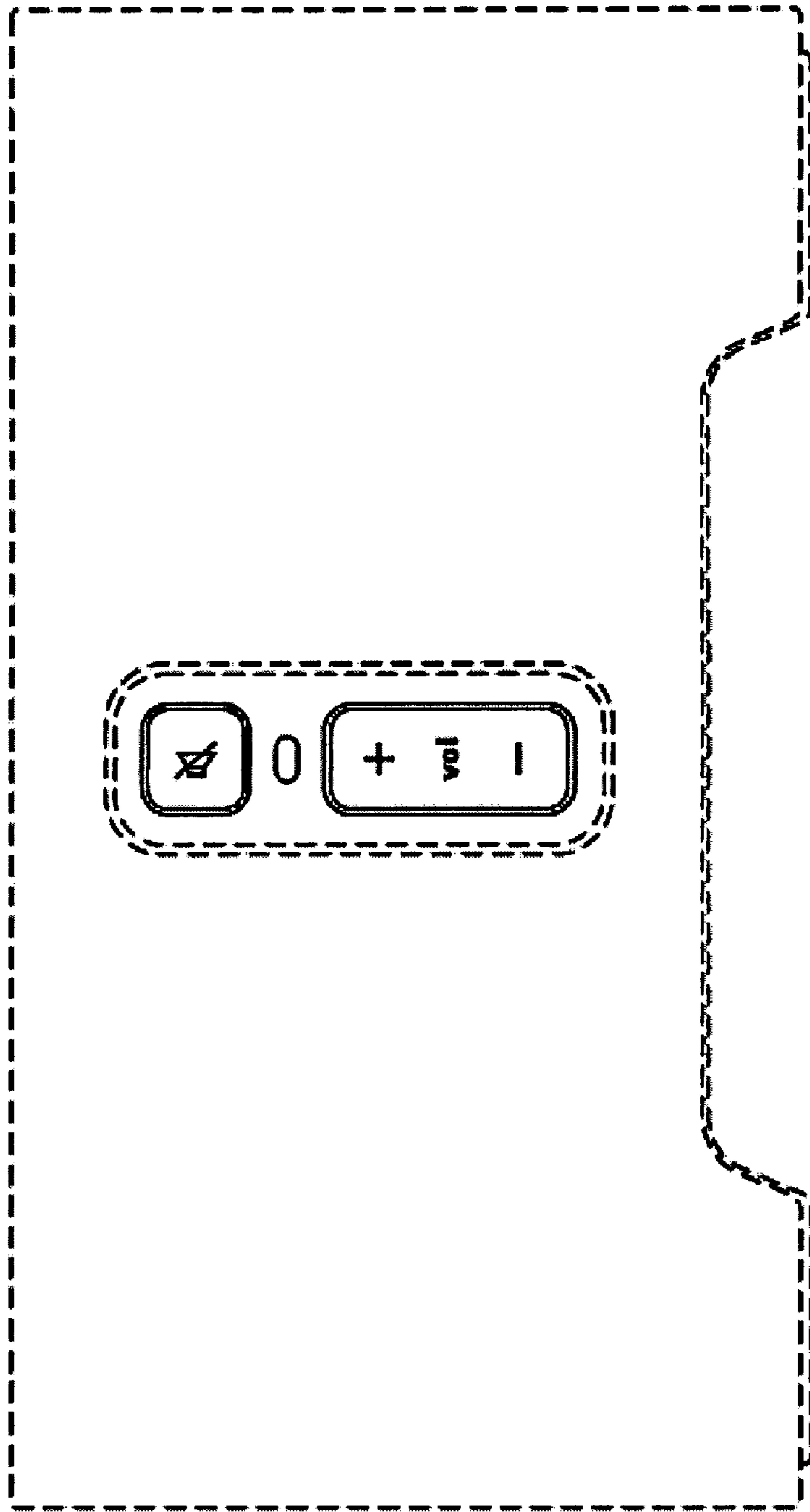


Fig. 3

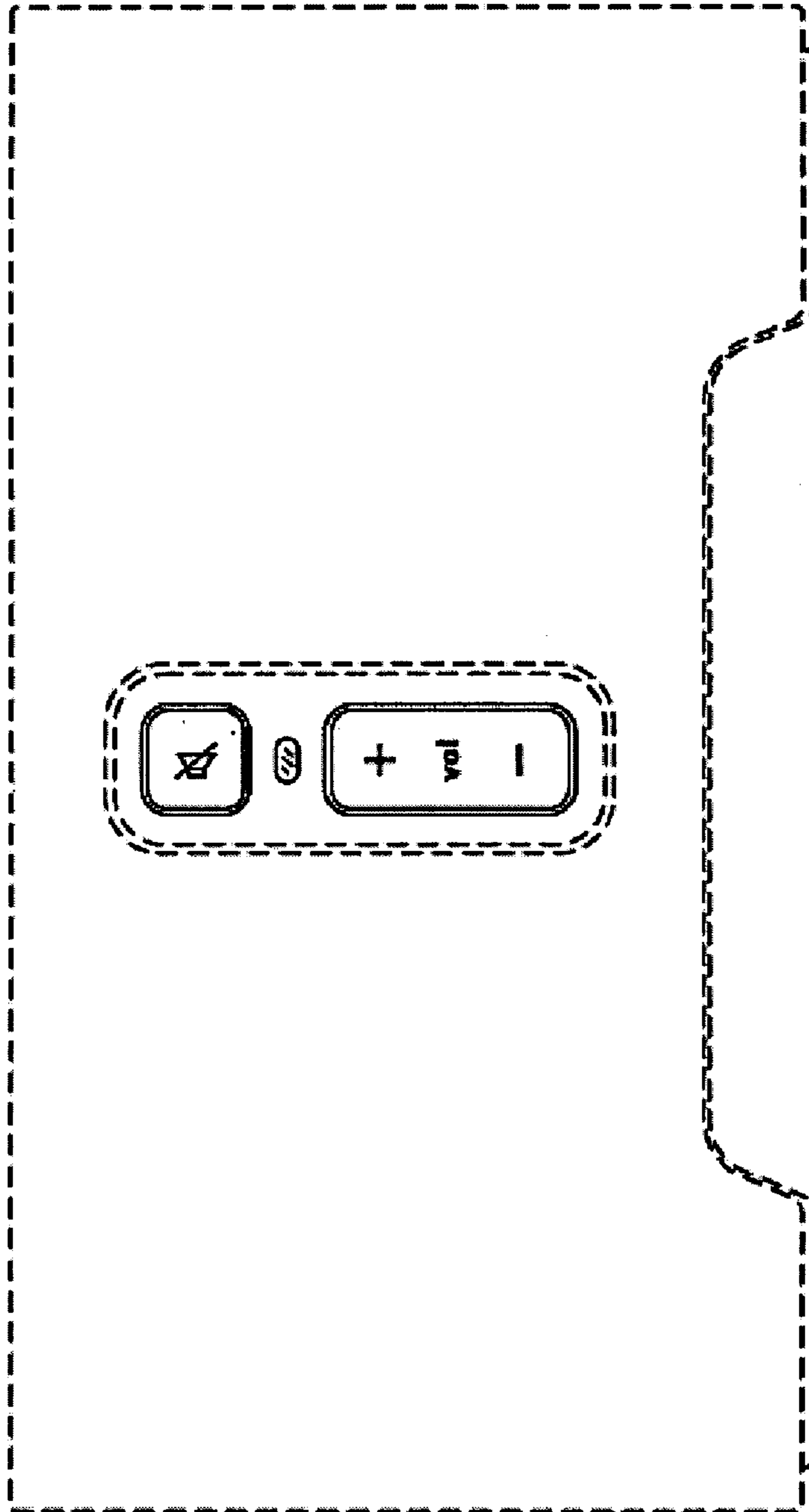


Fig. 4

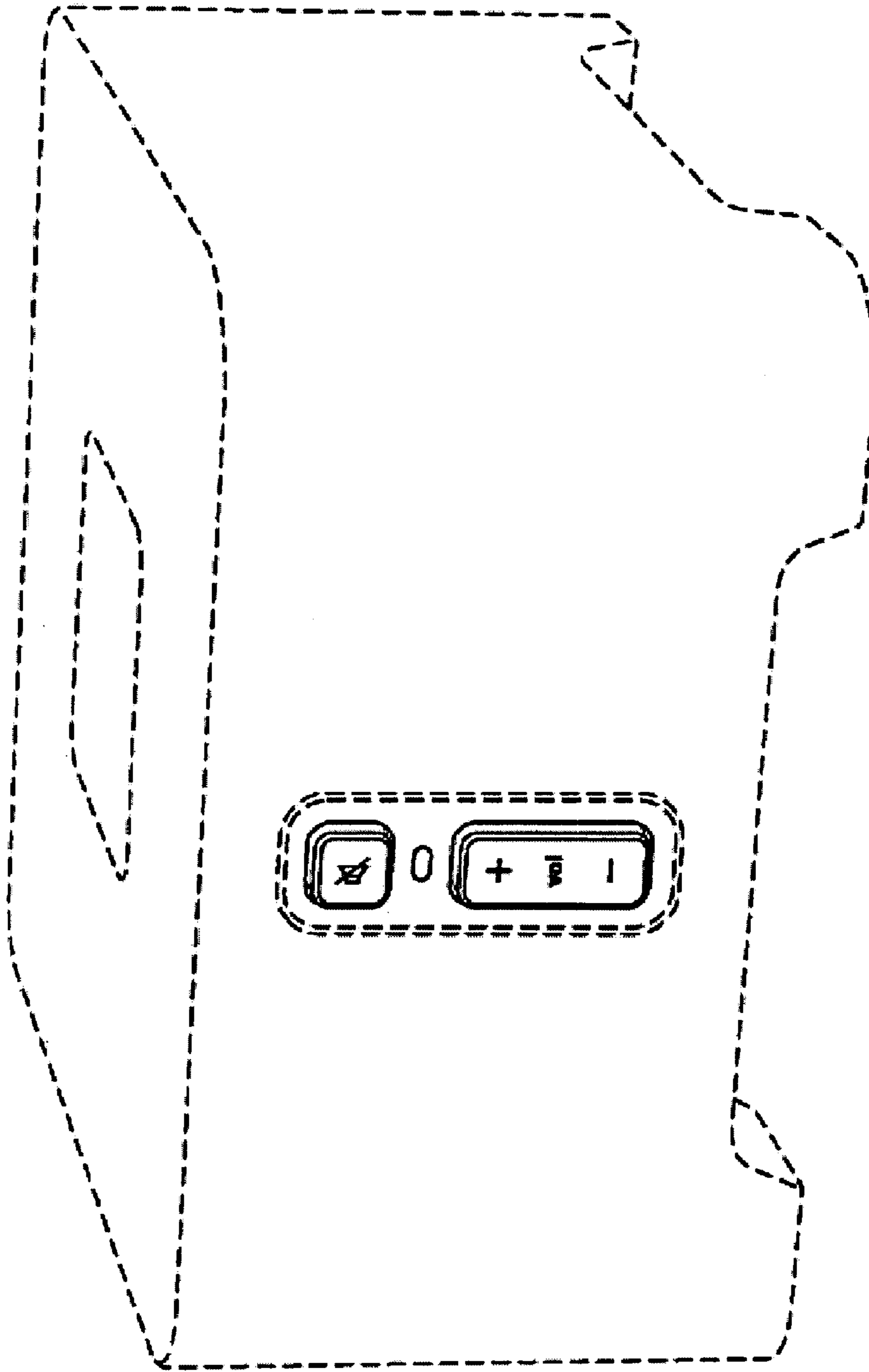


Fig. 5



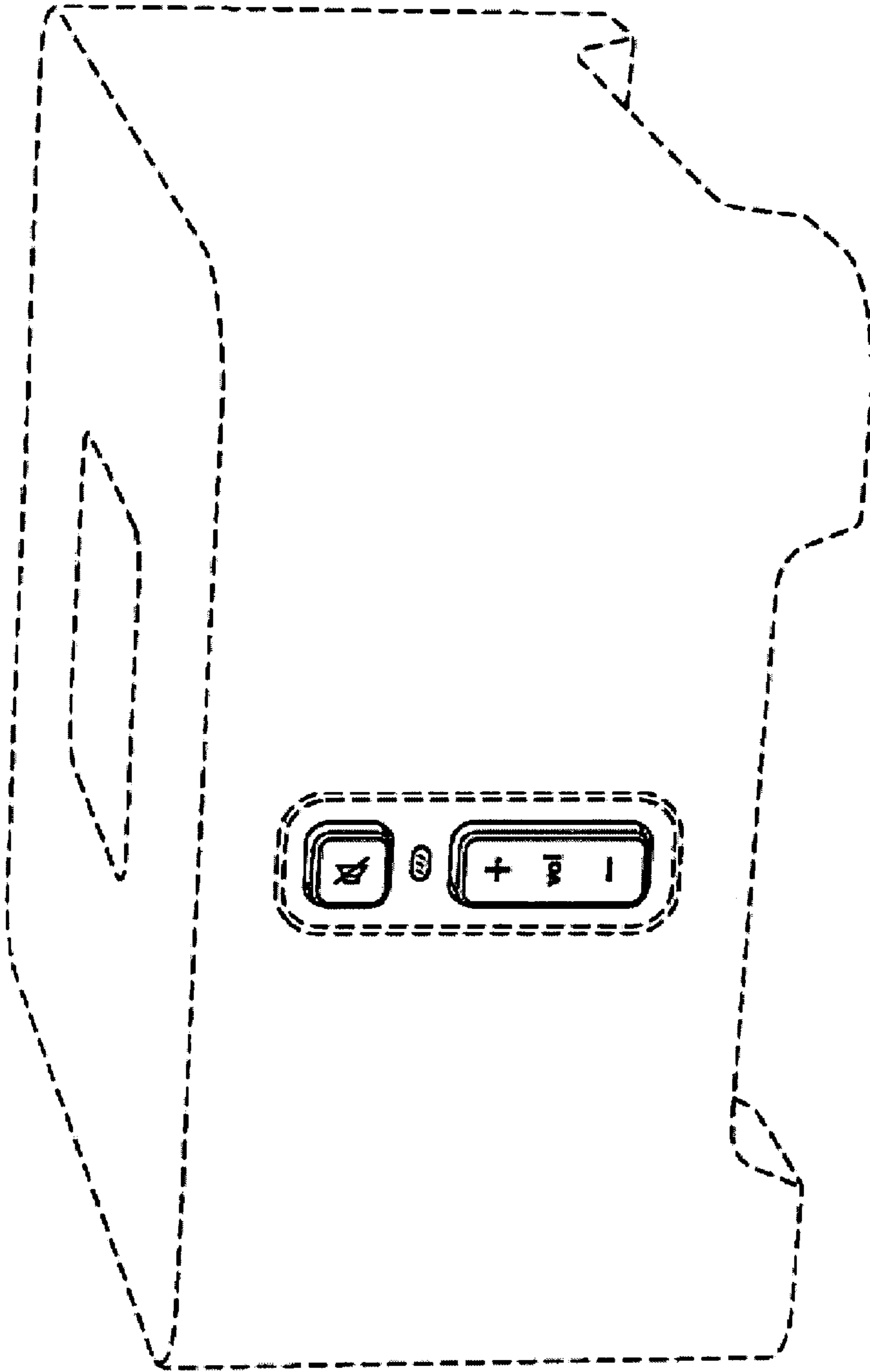


Fig. 6

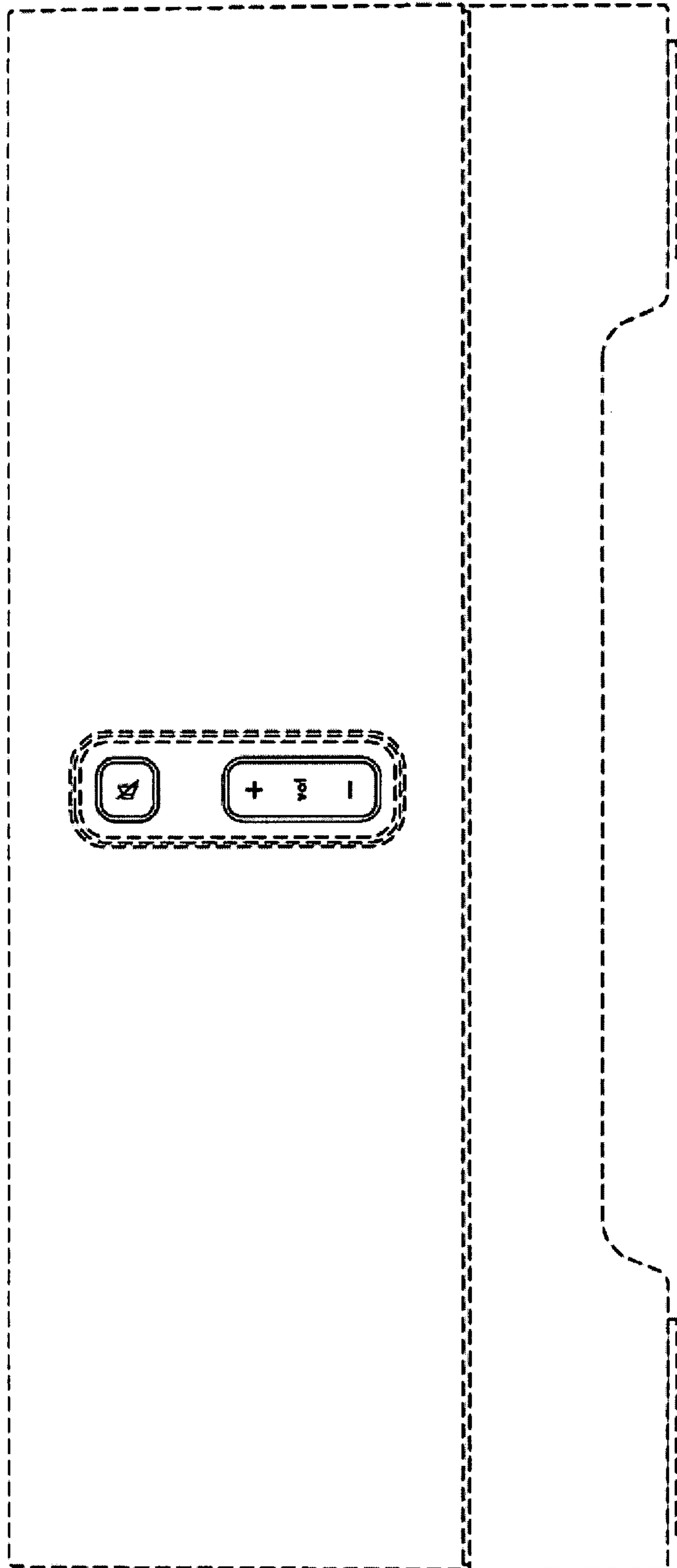


Fig. 7



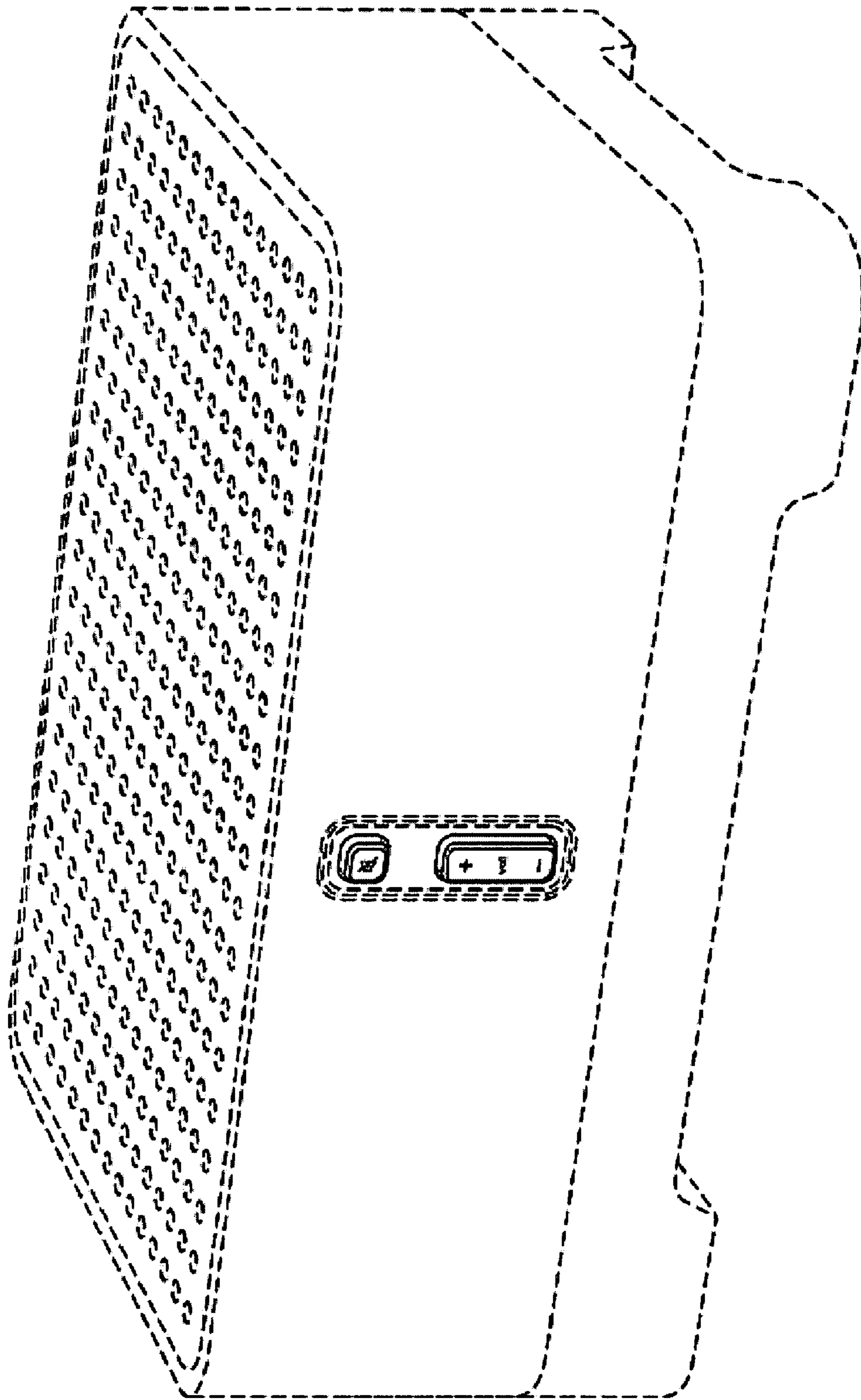


Fig. 8

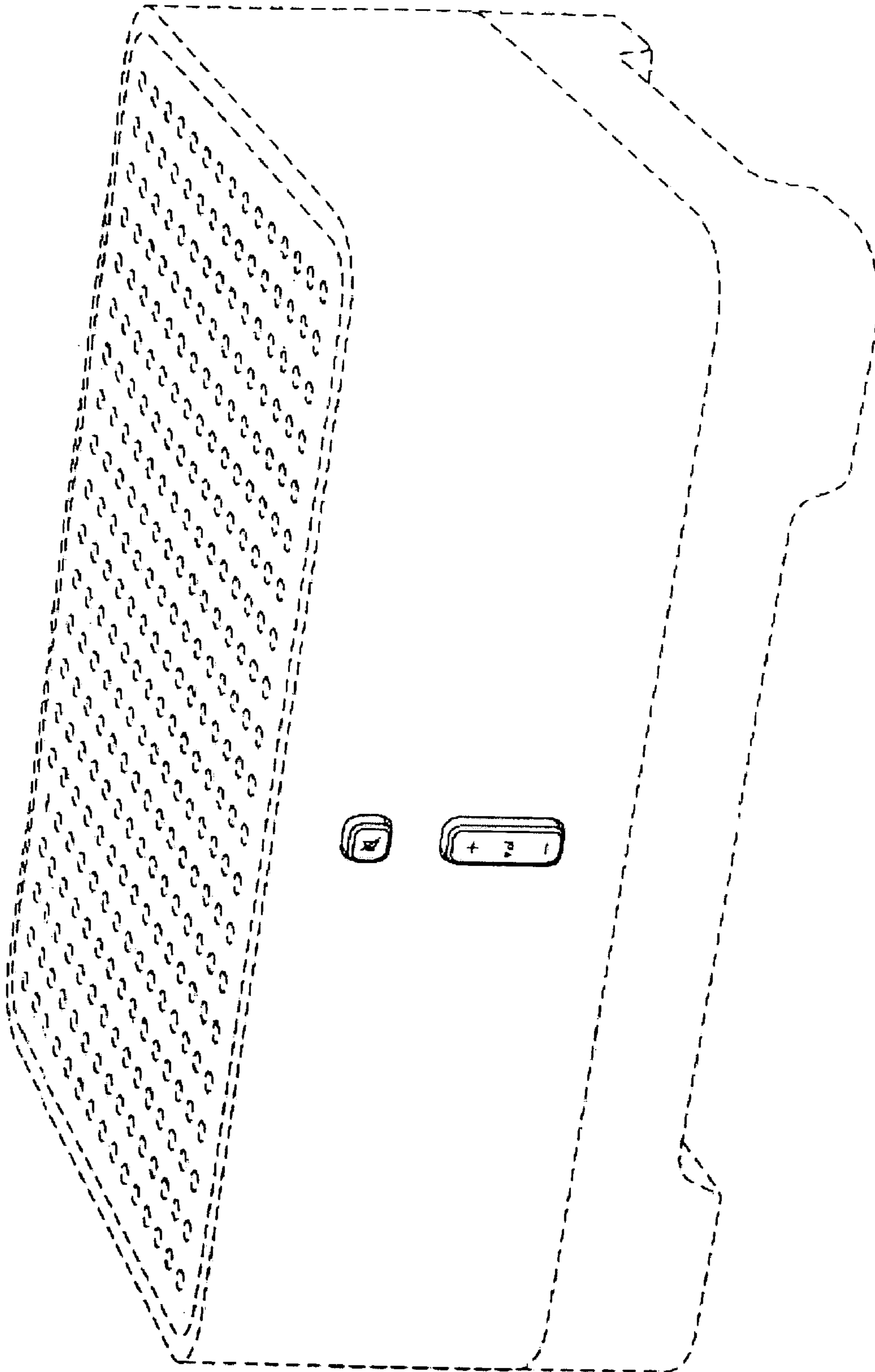


Fig. 9

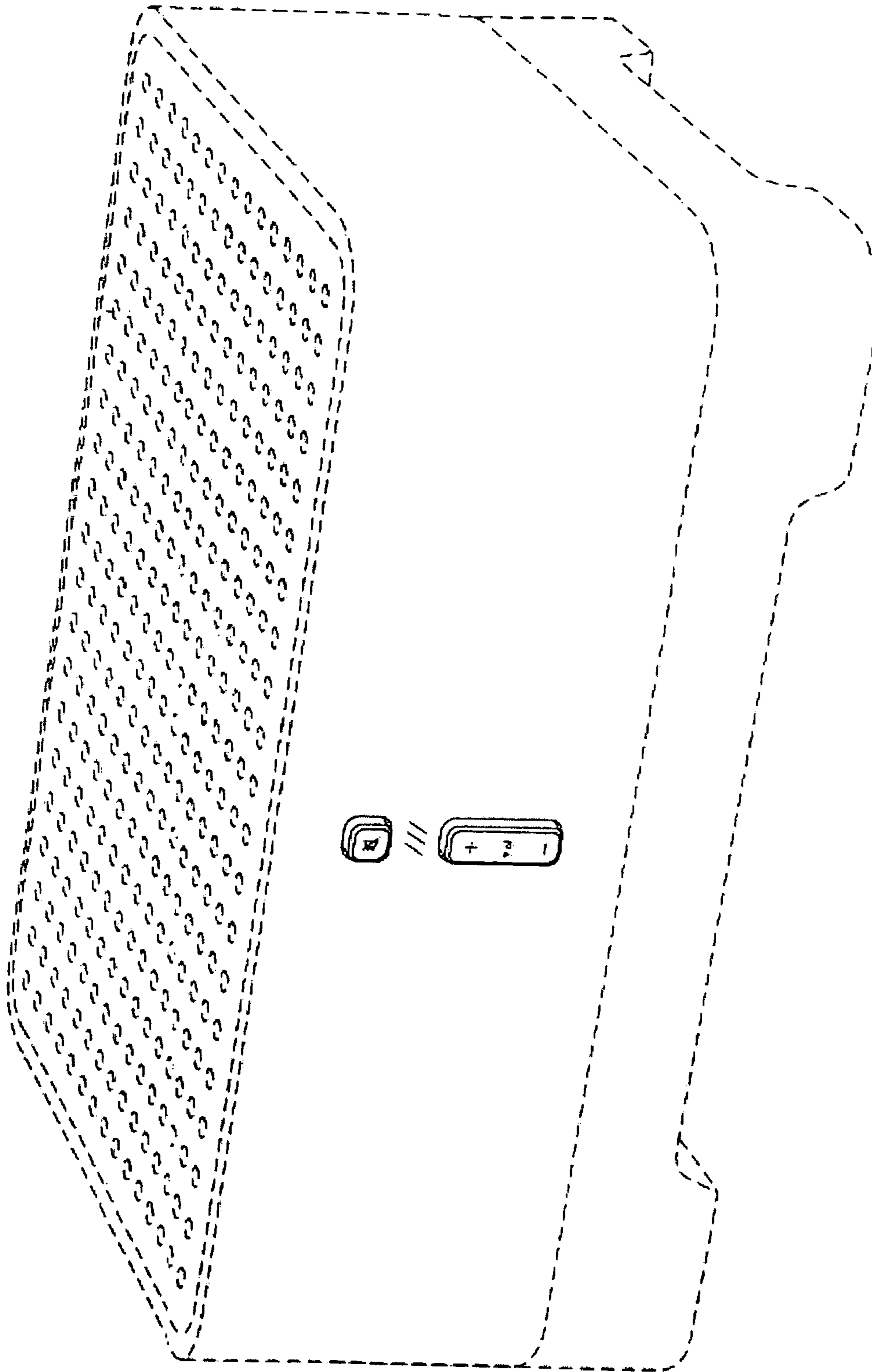


Fig. 10

UNITED STATES PATENT AND TRADEMARK OFFICE  
**CERTIFICATE OF CORRECTION**

PATENT NO. : D559,197 S  
APPLICATION NO. : 29/259064  
DATED : January 8, 2008  
INVENTOR(S) : Wai-Loong Lim et al.

Page 1 of 2

It is certified that error appears in the above-identified patent and that said Letters Patent is hereby corrected as shown below:

On the Title Page

Delete Title Page, and replace with new Title Page (attached).

On line 15 of the DESCRIPTION (page 1, column 2, item 57), insert -- and -- after “state;”.

On lines 16-17 of the DESCRIPTION (page 1, column 2, item 57), delete “FIG. 8 is a front view thereof showing the control strip for electronic appliances in an illuminated state;”.

On line 18 of the DESCRIPTION (page 1, column 2, item 57), delete “FIG. 9” and insert -- FIG. 8 -- therefor.

On line 21-22 of the DESCRIPTION (page 1, column 2, item 57), delete “FIG. 10 is a perspective view thereof showing the control strip for electronic appliances in an illuminated state”.

In the Drawings

Delete drawing sheets 9 and 10, consisting of Fig 9 and 10.

Signed and Sealed this  
Twenty-eighth Day of July, 2015



Michelle K. Lee  
*Director of the United States Patent and Trademark Office*



(12) **United States Design Patent** (10) **Patent No.:** **US D559,197 S**  
**Lim et al.** (45) **Date of Patent:** **\*\* Jan. 8, 2008**

(54) **CONTROL STRIP FOR ELECTRONIC APPLIANCES**

2006/0180454 A1 \* 8/2006 Zensai ..... 200/341  
 2006/0185968 A1 \* 8/2006 Dzioba ..... 200/5 R

(75) **Inventors:** **Wai-Loong Lim**, San Francisco, CA (US); **Mieko Kusano**, Santa Barbara, CA (US); **Robert A. Lambourne**, Santa Barbara, CA (US); **Raymond L. Gradwohl**, Saratoga, CA (US); **Jacques Gagne**, Los Gatos, CA (US)

\* cited by examiner  
*Primary Examiner*—Selina Sikder  
 (74) *Attorney, Agent, or Firm*—Carr & Ferrell LLP

(73) **Assignee:** **Sonos, Inc.**, Santa Barbara, CA (US)

(57) **CLAIM**

We claim the ornamental design for a control strip for electronic appliances, as shown and described.

(\*\*) **Term:** **14 Years**

**DESCRIPTION**

(21) **Appl. No.:** **29/259,064**

FIG. 1 is a front view of the control strip for electronic appliances constructed in accordance with an embodiment of the invention;

(22) **Filed:** **May 1, 2006**

FIG. 2 is a perspective view thereof;

**Related U.S. Application Data**

(63) Continuation of application No. 29/199,212, filed on Feb. 11, 2004, now Pat. No. Des. 524,251.

FIG. 3 is a front view of another embodiment of the control strip for electronic appliances in a non-illuminated state;

(51) **LOC (8) Cl.** ..... **13-03**

FIG. 4 is a front view thereof showing the control strip for electronic appliances in an illuminated state;

(52) **U.S. Cl.** ..... **D13/162; D13/174**

FIG. 5 is a perspective view thereof showing the control strip for electronic appliances in a non-illuminated state;

(58) **Field of Classification Search** ..... **D13/162, D13/164, 171, 173, 174; D10/104, 106; D14/218, 247; 340/825.22, 825.24, 825.25, 340/825.31, 825.36, 825.69, 825.71, 825.72; 341/20, 22, 23, 34, 173, 174, 176; 345/156, 345/168, 169; 348/734; 455/92, 95, 100, 455/128, 151.1-151.4, 325-355; 463/39; 700/17, 19, 20, 281; 200/5 R, 5 A, 341; 315/291**

FIG. 6 is a perspective view thereof showing the control strip for electronic appliances in an illuminated state;

See application file for complete search history.

FIG. 7 is a front view of yet another embodiment of the control strip for electronic appliances in a non-illuminated state;

(56) **References Cited**

**U.S. PATENT DOCUMENTS**

4,710,597 A \* 12/1987 Loheac ..... 200/5 A  
 D305,018 S \* 12/1989 Pena et al. .... D13/164  
 D373,998 S \* 9/1996 Tutt et al. .... D13/168  
 6,046,550 A \* 4/2000 Ference et al. .... 315/291  
 D524,251 S \* 7/2006 Lim et al. .... D13/164

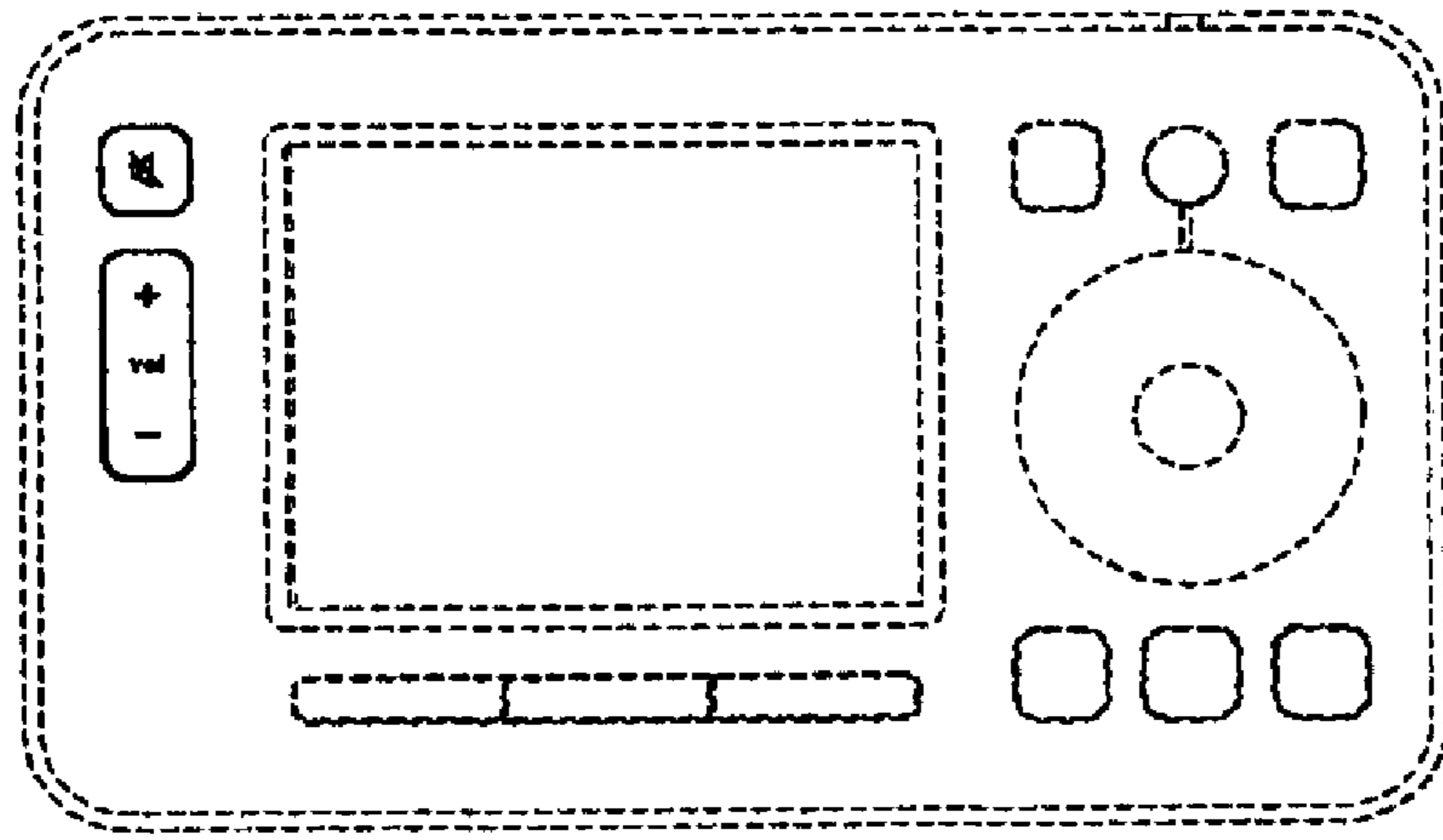
FIG. 8 is a front view thereof showing the control strip for electronic appliances in an illuminated state;

FIG. 9 is a perspective view thereof showing the control strip for electronic appliances in a non-illuminated state; and,

FIG. 10 is a perspective view thereof showing the control strip for electronic appliances in an illuminated state.

The broken lines represent unclaimed subject matter.

**1 Claim, 8 Drawing Sheets**





US00D559197C1

(12) **EX PARTE REEXAMINATION CERTIFICATE** (11437th)  
**United States Patent**  
**Lim et al.**

(10) **Number:** **US D559,197 C1**  
(45) **Certificate Issued:** **Jan. 2, 2019**

(54) **CONTROL STRIP FOR ELECTRONIC APPLIANCES**

(75) Inventors: **Wai-Loong Lim**, San Francisco, CA (US); **Mieko Kusano**, Santa Barbara, CA (US); **Robert A. Lambourne**, Santa Barbara, CA (US); **Raymond L. Gradwohl**, Saratoga, CA (US); **Jacques Gagne**, Los Gatos, CA (US)

(73) Assignee: **SONOS, INC.**, Santa Barbara, CA (US)

**Reexamination Request:**

No. 90/013,497, Apr. 28, 2015

**Reexamination Certificate for:**

Patent No.: **Des. 559,197**  
Issued: **Jan. 8, 2008**  
Appl. No.: **29/259,064**  
Filed: **May 1, 2006**

Certificate of Correction issued Jul. 28, 2015

**Related U.S. Application Data**

(63) Continuation of application No. 29/199,212, filed on Feb. 11, 2004, now Pat. No. Des. 524,251.

(51) **LOC (11) CI.** ..... **13-03**

(52) **U.S. CI.**  
USPC ..... **D13/162**; D13/174

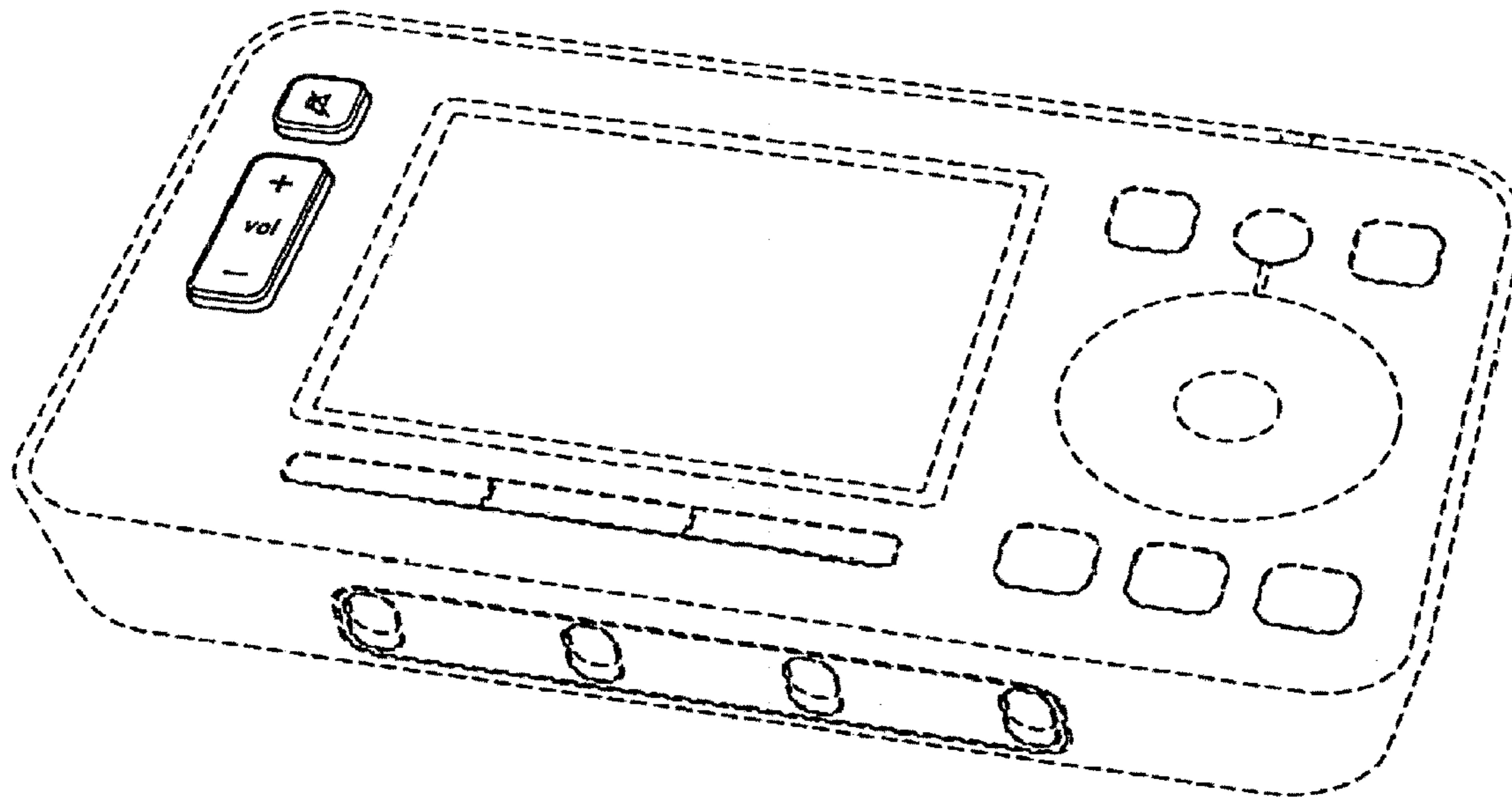
(58) **Field of Classification Search**  
USPC ..... D13/162, 164, 171, 173, 174; D10/104, D10/106; D14/218, 247

CPC . G06F 3/165; G06Q 30/0621; G06Q 30/0601  
See application file for complete search history.

(56) **References Cited**

To view the complete listing of prior art documents cited during the proceeding for Reexamination Control Number 90/013,497, please refer to the USPTO's public Patent Application Information Retrieval (PAIR) system under the Display References tab.

*Primary Examiner* — Darlington Ly



**1**  
**EX PARTE**  
**REEXAMINATION CERTIFICATE**

NO AMENDMENTS HAVE BEEN MADE TO 5  
THE PATENT

AS A RESULT OF REEXAMINATION, IT HAS BEEN  
DETERMINED THAT:

The patentability of claim 1 is confirmed. 10

\* \* \* \* \*