



US00D559195S

(12) **United States Design Patent**  
**Tamaoki**

(10) **Patent No.:** **US D559,195 S**  
(45) **Date of Patent:** **\*\* Jan. 8, 2008**

(54) **PRESSURE SWITCH**

(75) Inventor: **Masakatsu Tamaoki**, Aichi (JP)

(73) Assignee: **SUNX Limited**, Aichi (JP)

(\*\*) Term: **14 Years**

(21) Appl. No.: **29/243,600**

(22) Filed: **Nov. 29, 2005**

(30) **Foreign Application Priority Data**

Sep. 16, 2005 (JP) ..... 2005-026975

Sep. 16, 2005 (JP) ..... 2005-026976

(51) **LOC (8) Cl.** ..... **13-03**

(52) **U.S. Cl.** ..... **D13/158; D13/171**

(58) **Field of Classification Search** ..... D13/158,  
D13/162, 163, 164, 177, 184; D23/233;  
D10/85, 96; 200/308, 520, 5 A, 5 R, 83-83 Q,  
200/81 R, 81.4; 340/632

See application file for complete search history.

(56) **References Cited**

**U.S. PATENT DOCUMENTS**

4,081,621 A \* 3/1978 Hartley ..... 200/83 Q

(Continued)

**FOREIGN PATENT DOCUMENTS**

JP 905920 9/1994

(Continued)

*Primary Examiner*—Selina Sikder

*Assistant Examiner*—Thomas J Johannes

(74) *Attorney, Agent, or Firm*—Wenderoth, Lind & Ponack,  
L.L.P.

(57) **CLAIM**

The ornamental design for a pressure switch, as shown and described.

**DESCRIPTION**

FIG. 1: A front view of a pressure switch showing the new design.

FIG. 2: A back view thereof.

FIG. 3: A bottom view thereof.

FIG. 4: A top view thereof.

FIG. 5: A right side view thereof.

FIG. 6: A left side view thereof.

FIG. 7: A top right front perspective view thereof.

FIG. 8: A top rear left perspective view thereof.

FIG. 9: A front view showing an exemplary operational use display thereof.

FIG. 10: A cross-sectional view taken from the arrows 10—10 in FIG. 2 showing the circumferential design thereof.

FIG. 11: A cross-sectional view taken from the arrows 11—11 in FIG. 2, showing the circumferential design thereof.

FIG. 12: A front view of another embodiment of the pressure switch showing the new design.

FIG. 13: A rear view thereof.

FIG. 14: A top view thereof.

FIG. 15: A bottom view thereof.

FIG. 16: A right side view thereof.

FIG. 17: A left side view thereof.

FIG. 18: A top right front perspective view thereof.

FIG. 19: A top left rear perspective view thereof.

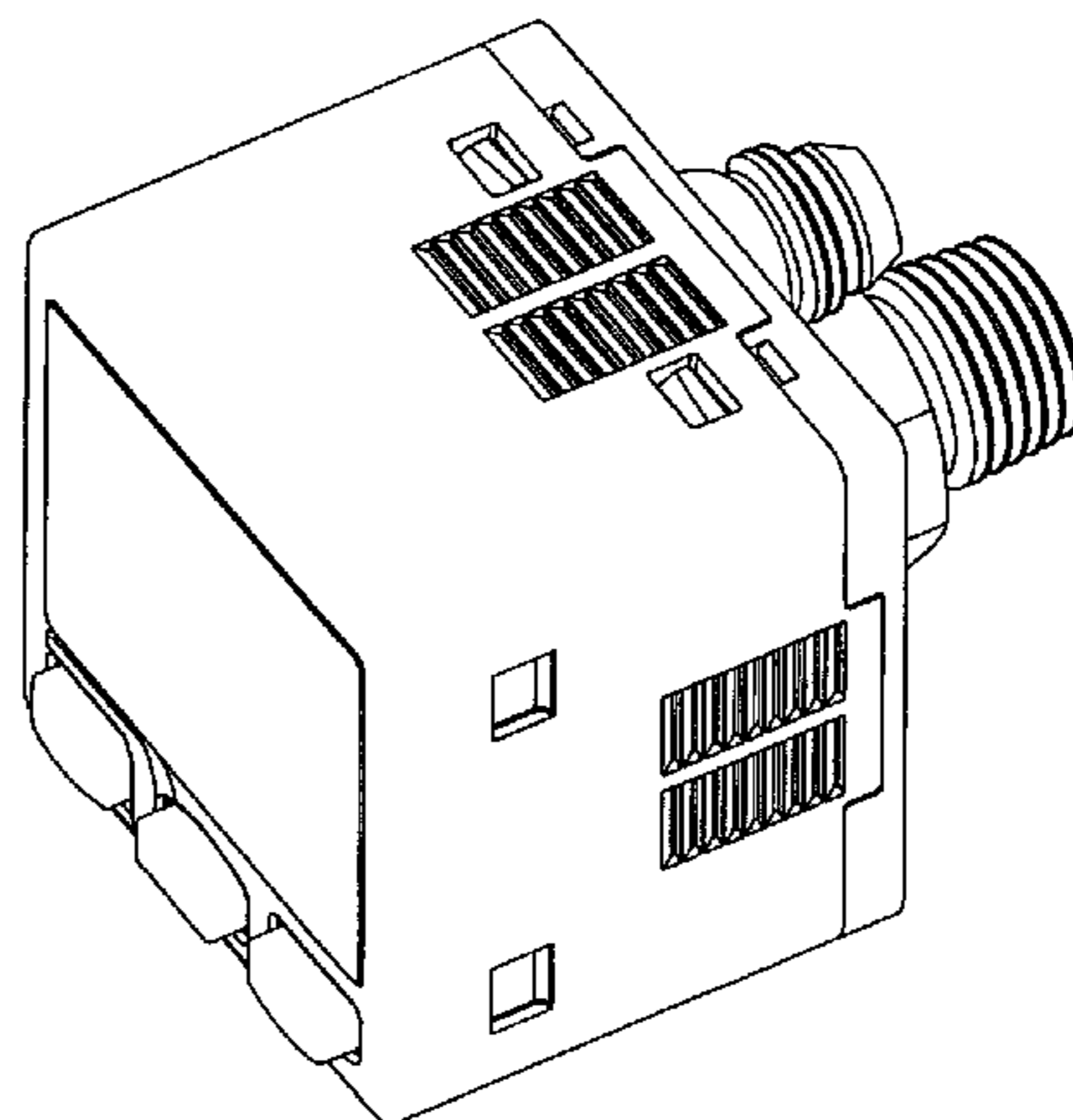
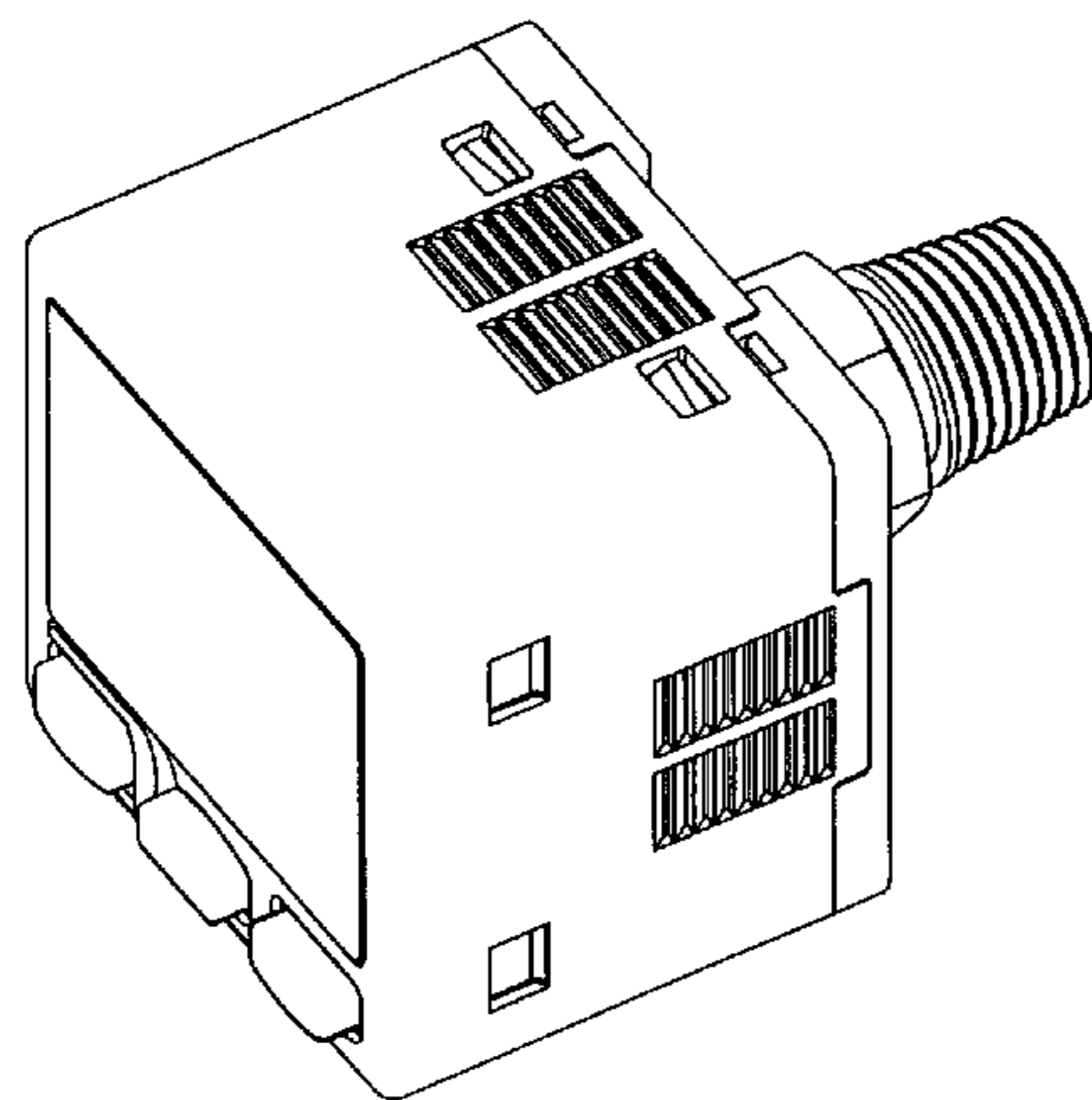
FIG. 20: A front view showing an exemplary operational use display thereof.

FIG. 21: A cross-sectional view taken from the arrows 21—21 in FIG. 13, showing the circumferential design thereof; and,

FIG. 22: A cross-sectional view taken from the arrows 22—22 in FIG. 13, showing the circumferential design thereof.

The broken line showing of the exemplary operational display data in FIGS. 9 and 20 forms no part of the claimed design.

**1 Claim, 22 Drawing Sheets**



# US D559,195 S

Page 2

## U.S. PATENT DOCUMENTS

4,103,124 A \* 7/1978 Reis ..... 200/51 R  
D308,193 S \* 5/1990 Gaalswyk ..... D13/158  
5,198,631 A \* 3/1993 Hogue et al. .... 200/83 P  
D400,456 S \* 11/1998 Inoue ..... D10/85  
D430,268 S \* 8/2000 Hiramatsu et al. .... D23/233  
D437,295 S \* 2/2001 Gunji et al. .... D13/158  
D455,362 S \* 4/2002 Okuyama et al. .... D10/96  
D456,290 S \* 4/2002 Gunji et al. .... D10/85  
D477,287 S \* 7/2003 Roman ..... D13/162  
D497,145 S \* 10/2004 Seo ..... D13/158  
7,071,832 B2 \* 7/2006 Miyamoto et al. .... 340/632

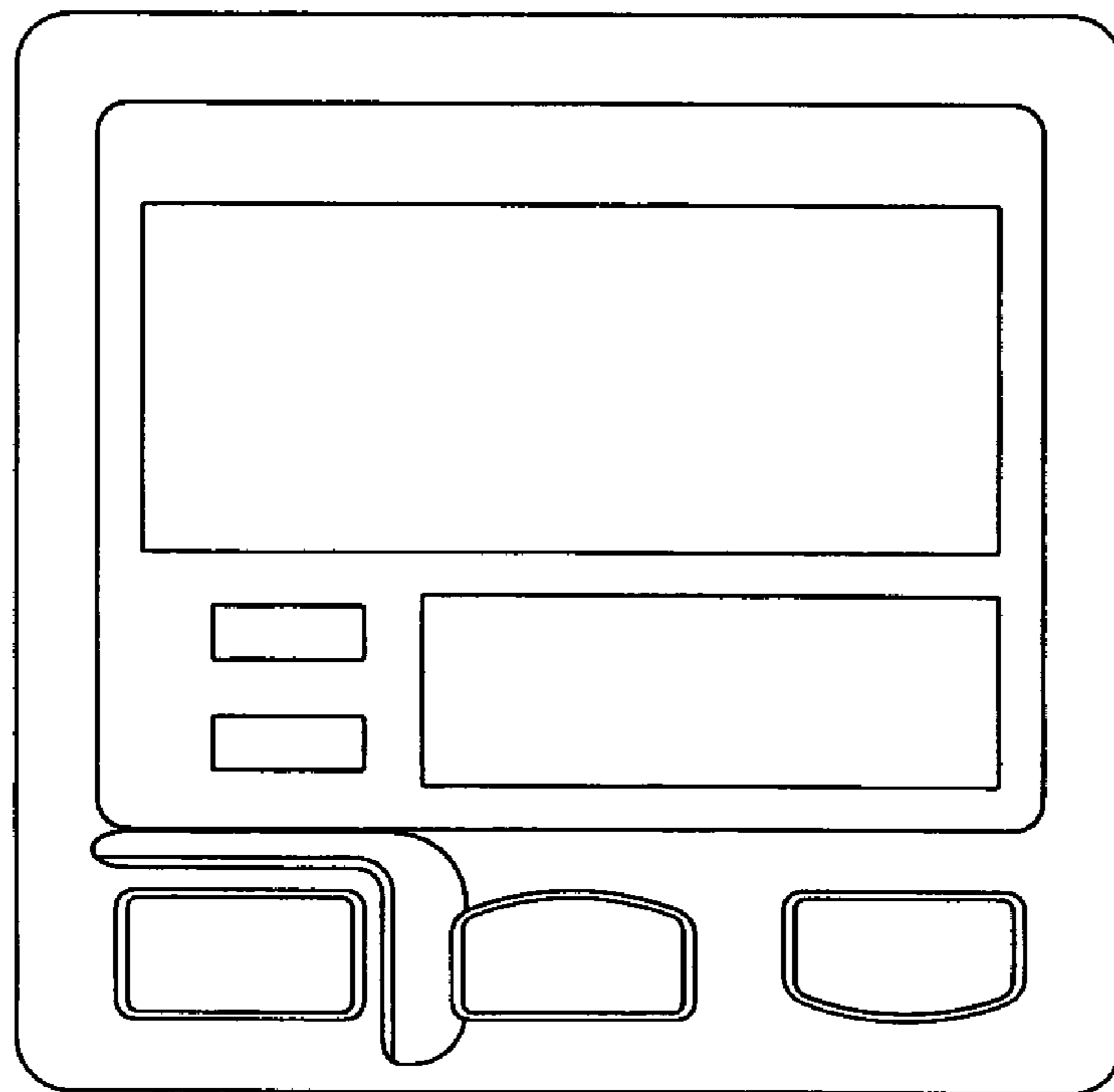
7,186,934 B2 \* 3/2007 Nakajima ..... 200/81 R

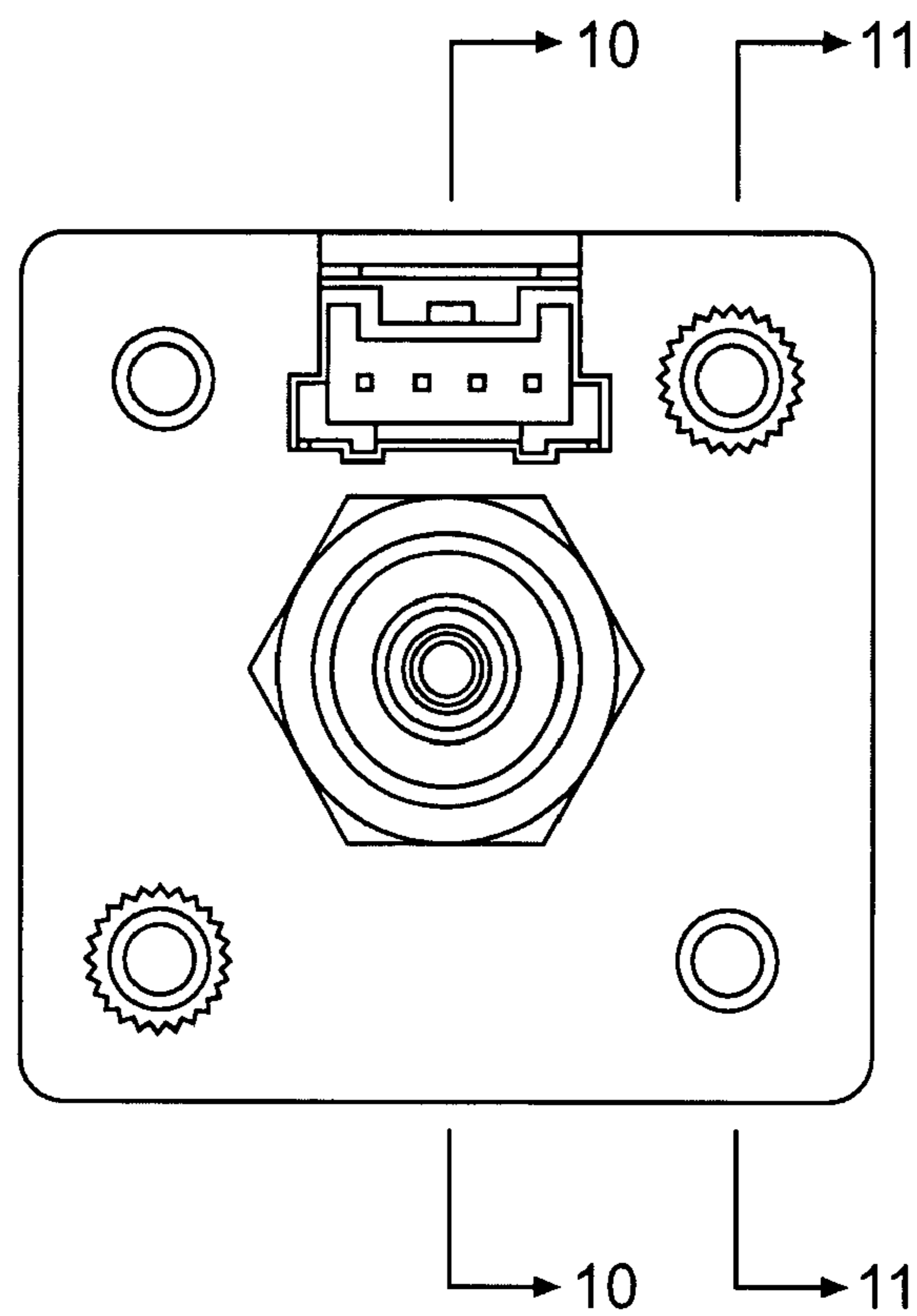
## FOREIGN PATENT DOCUMENTS

JP 917123 1/1995  
JP 980966 5/1997  
JP 1003937 2/1998  
JP 1020504 9/1998  
JP 1055972 12/1999  
JP D1067640 4/2000  
JP 1076368 6/2000  
JP 1112428 6/2001  
JP 1115659 7/2001

\* cited by examiner

Fig.1





**FIG. 2**

Fig.3

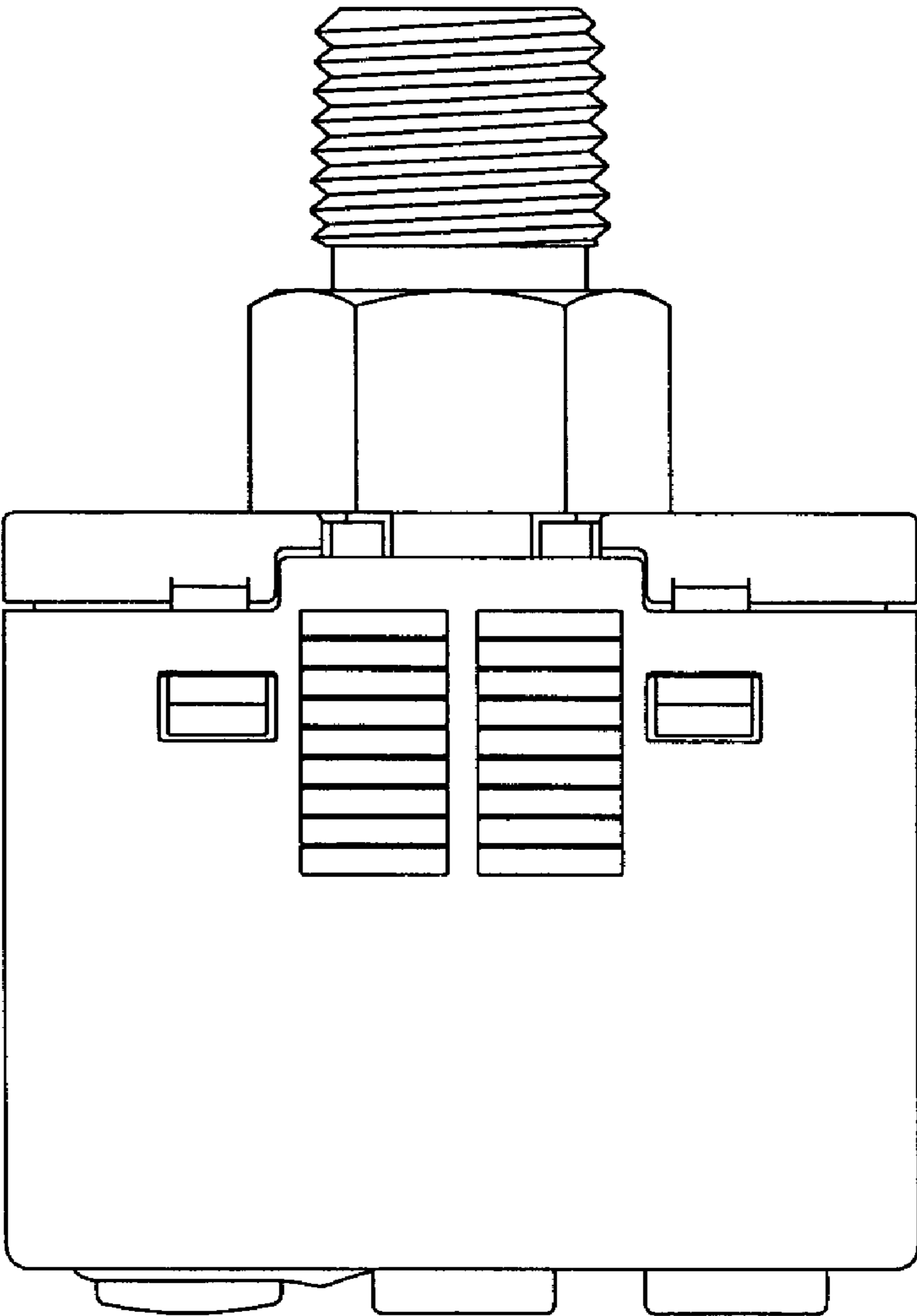


Fig.4

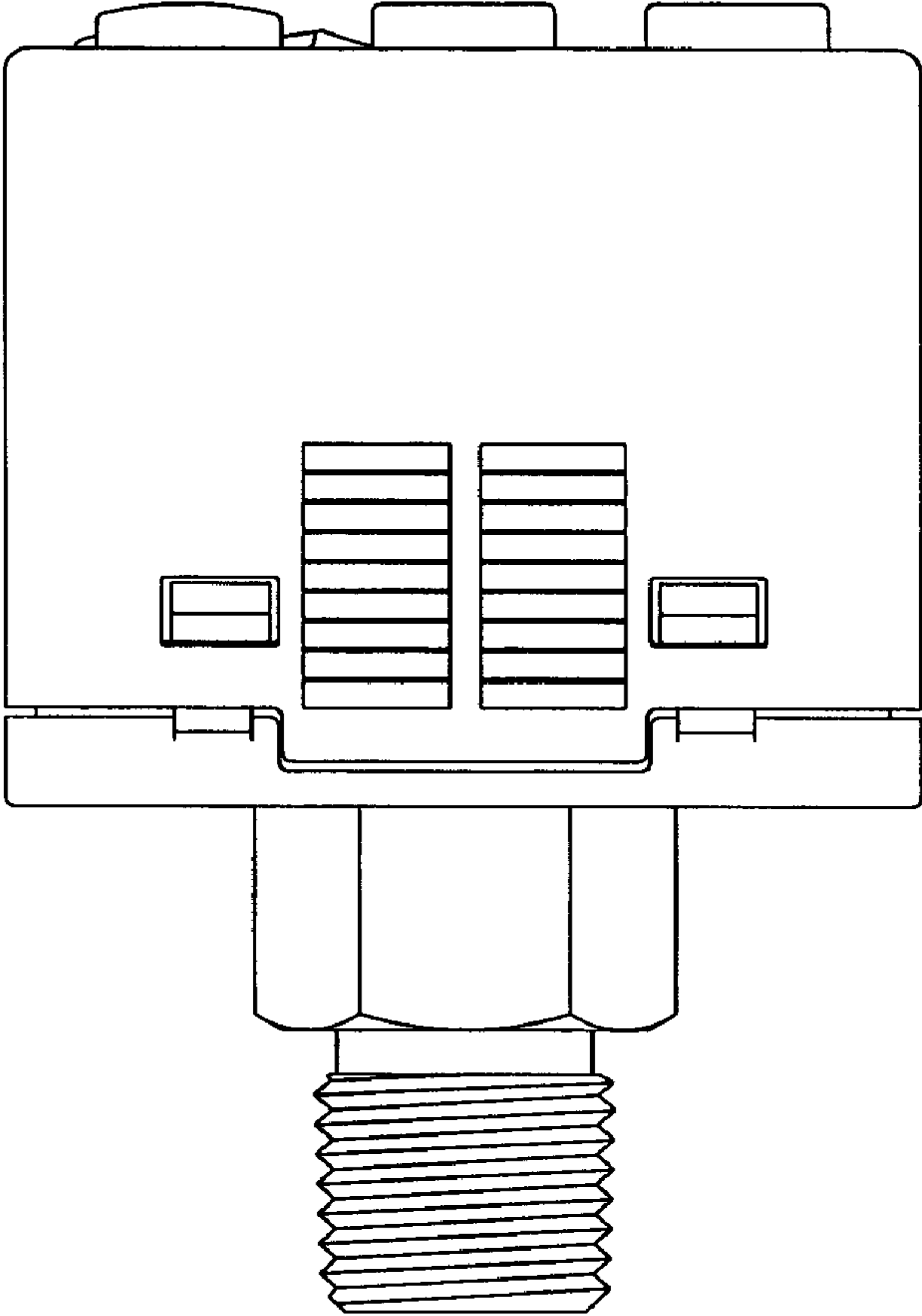


Fig.5

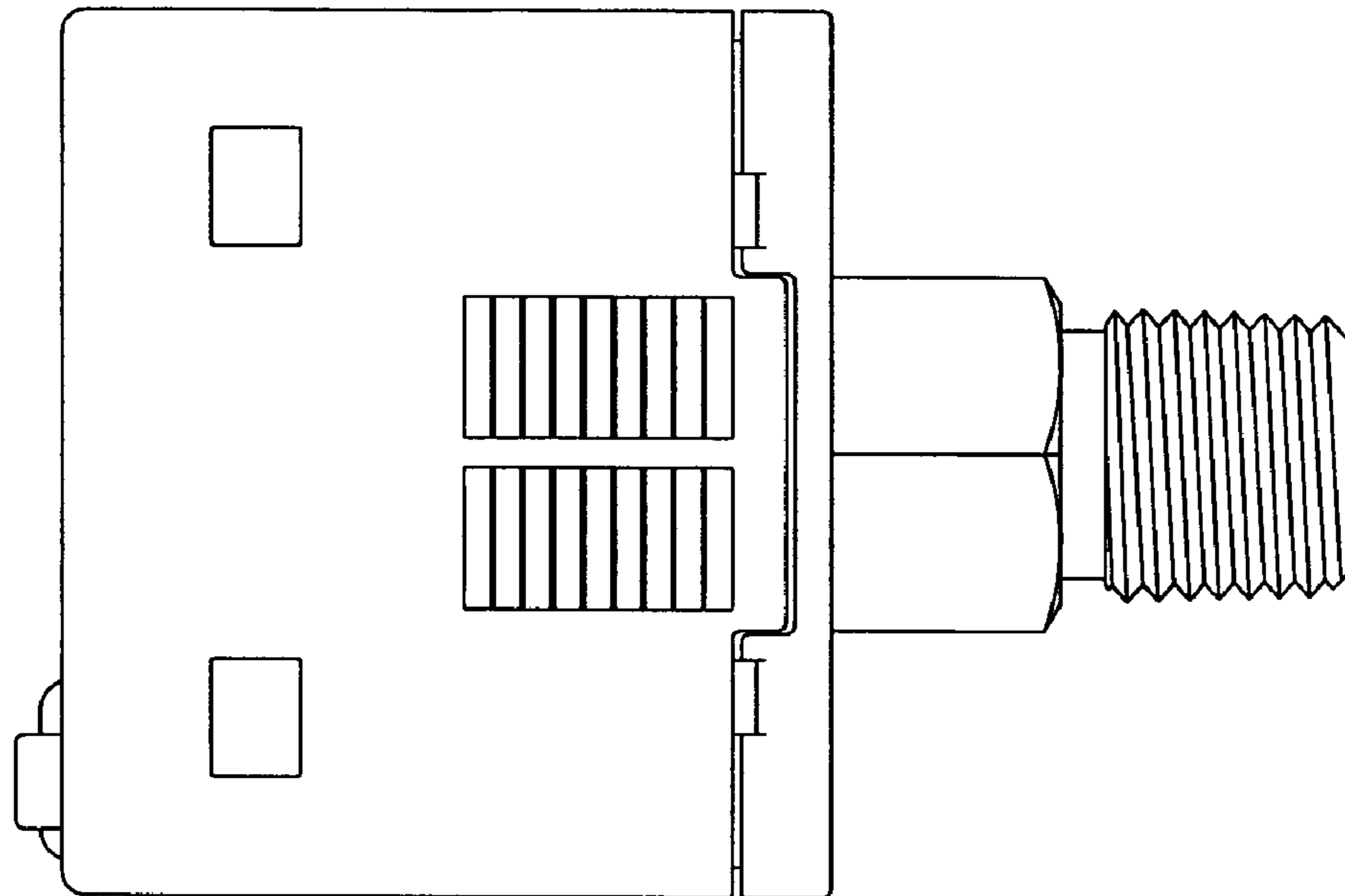


Fig.6

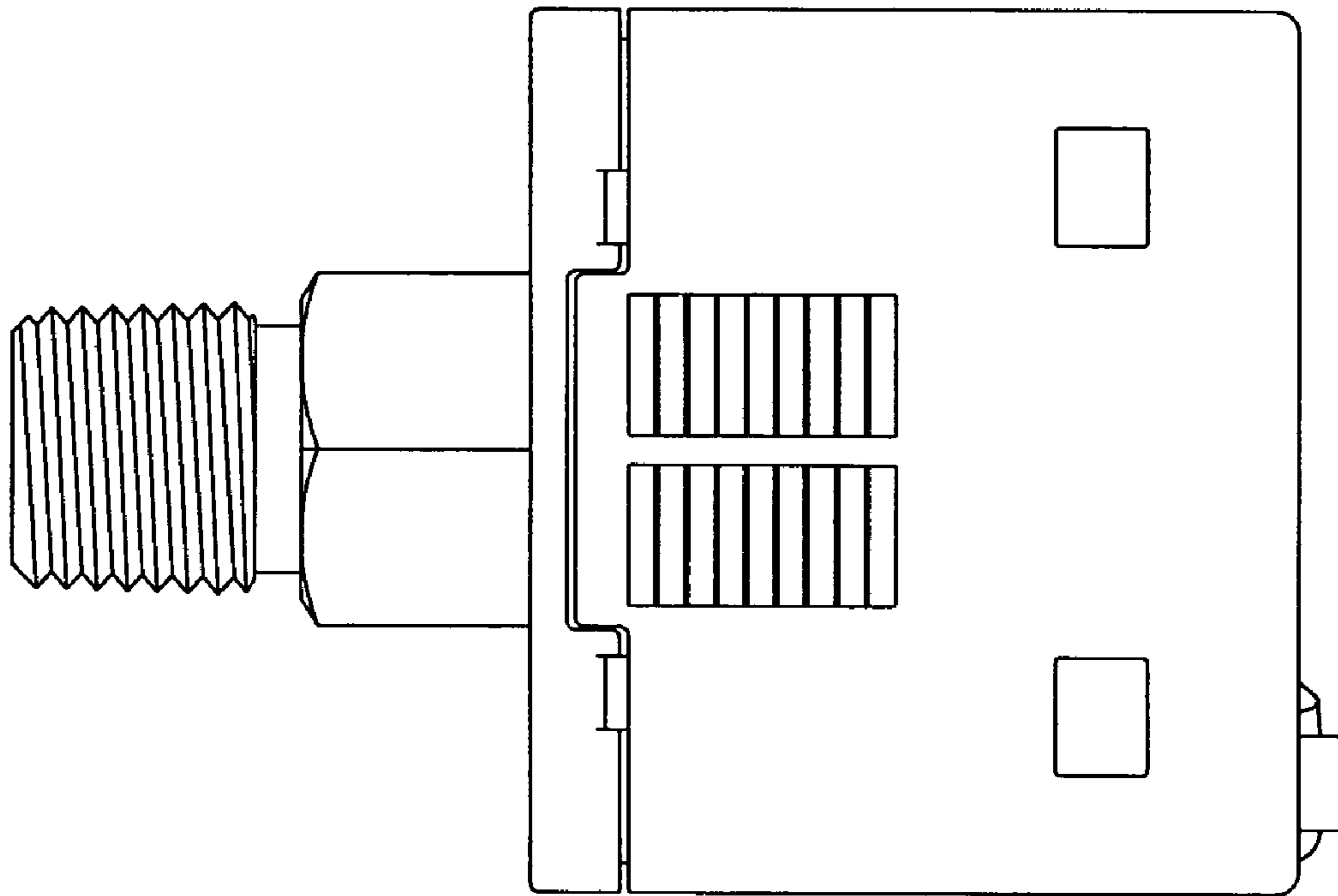




Fig.7

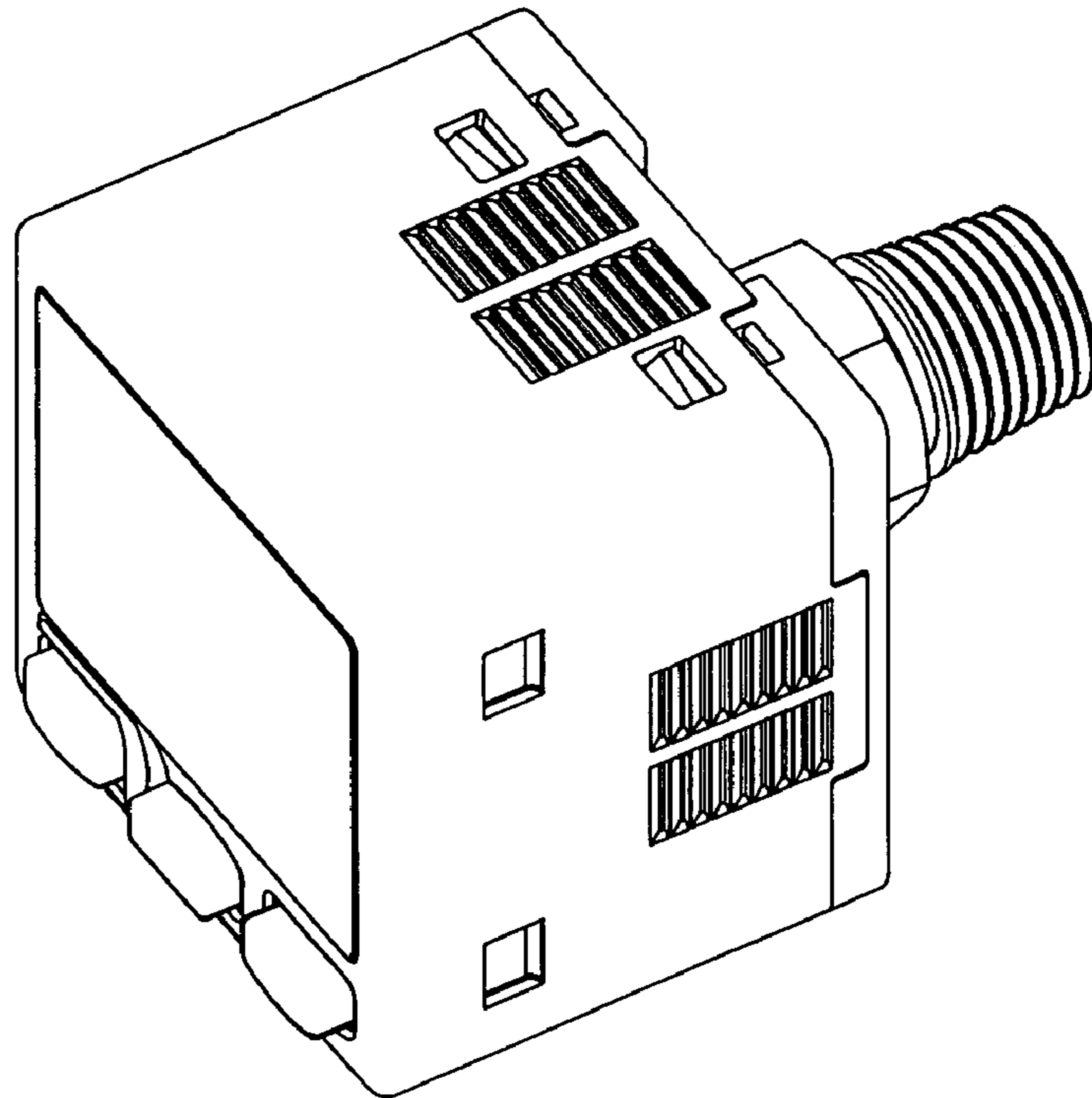
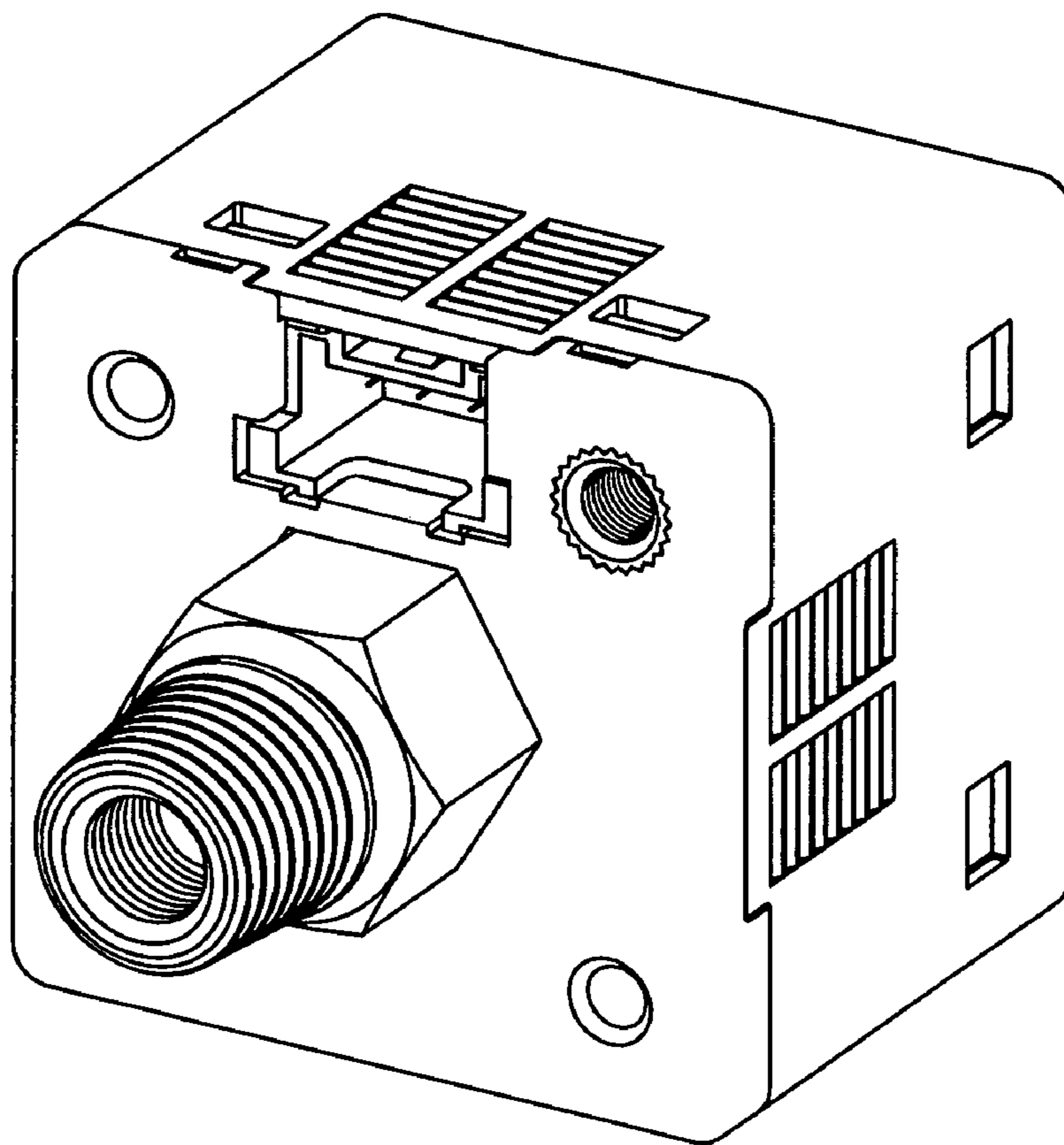
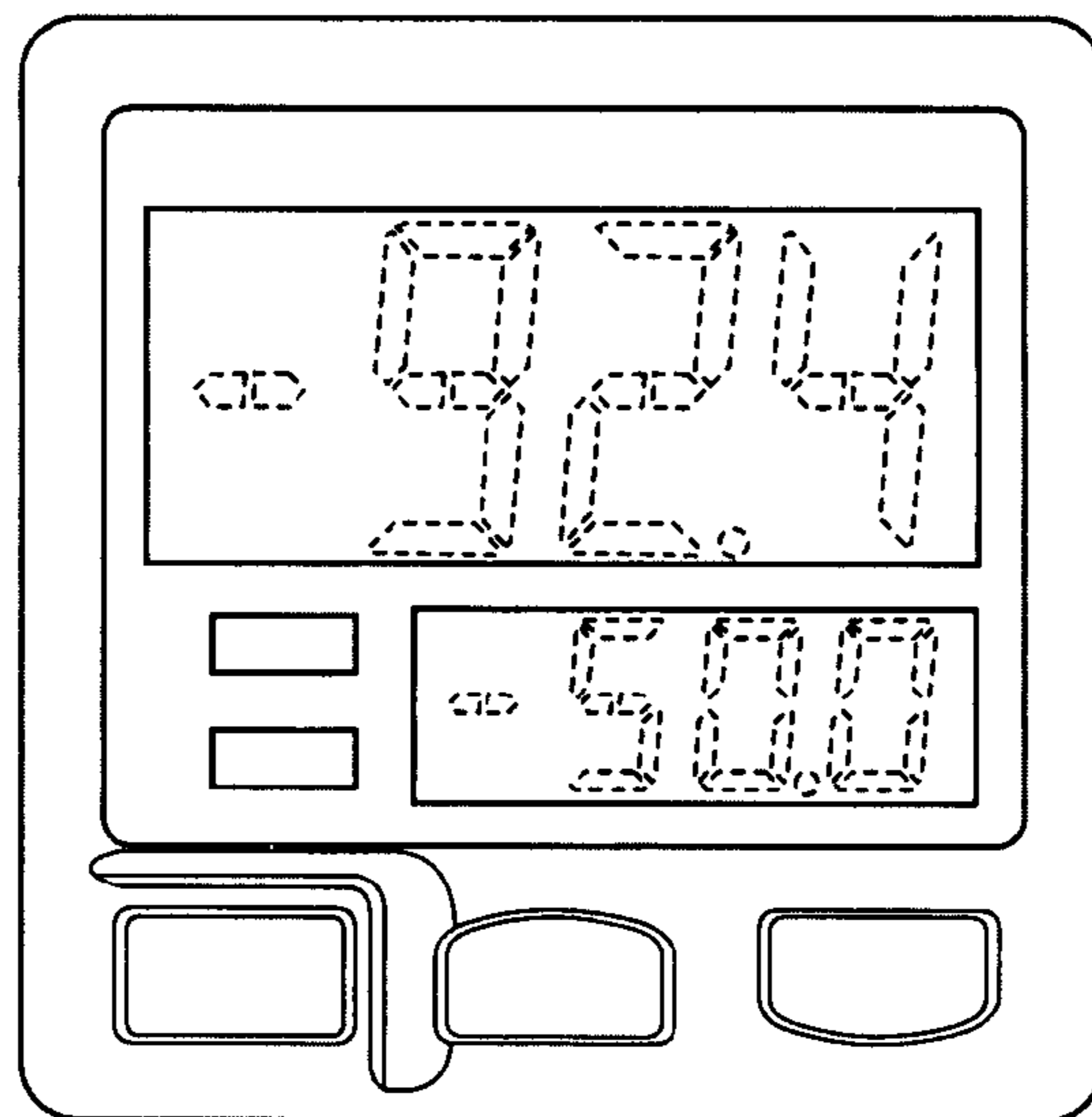


Fig.8





**FIG. 9**

Fig.10

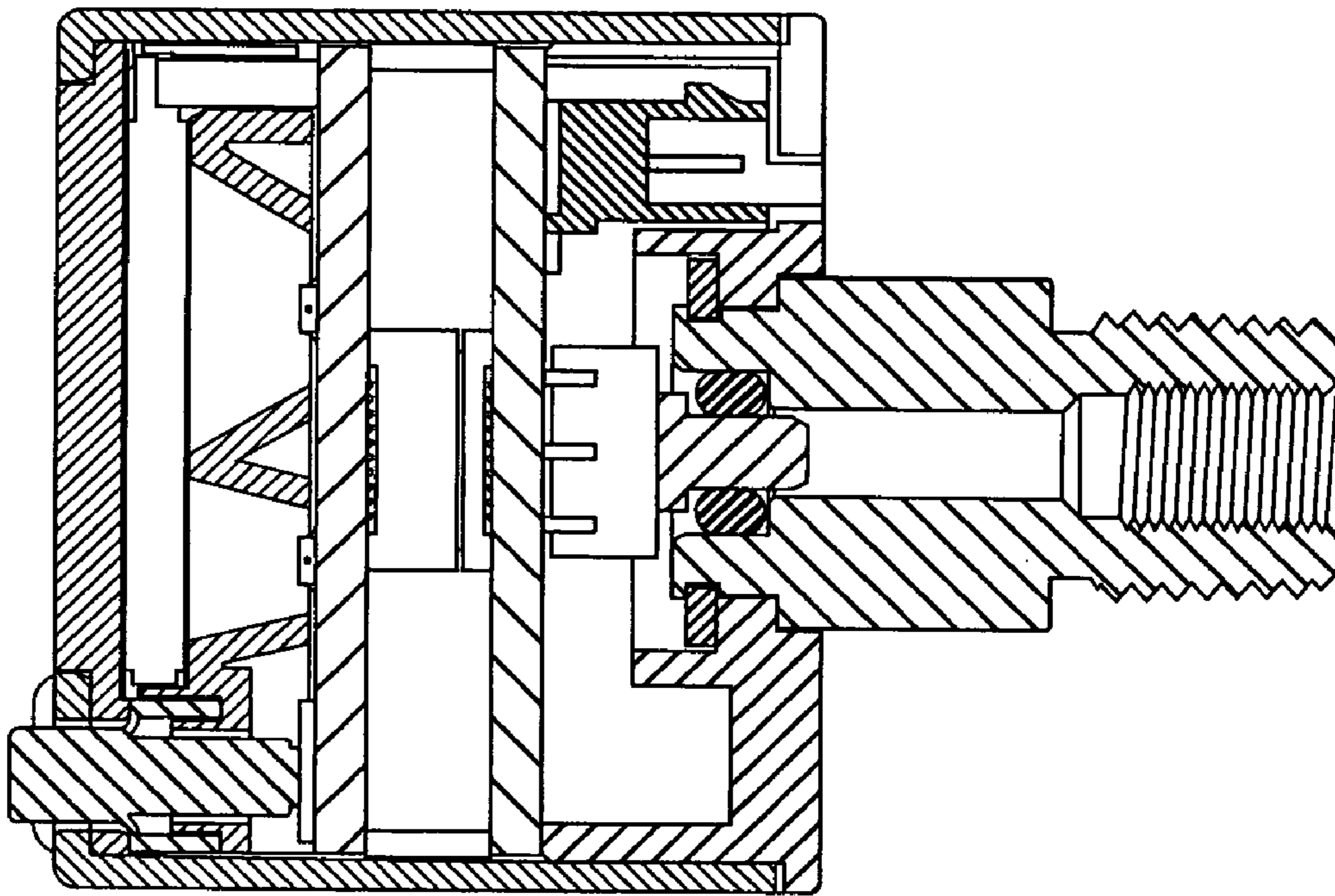


Fig.11

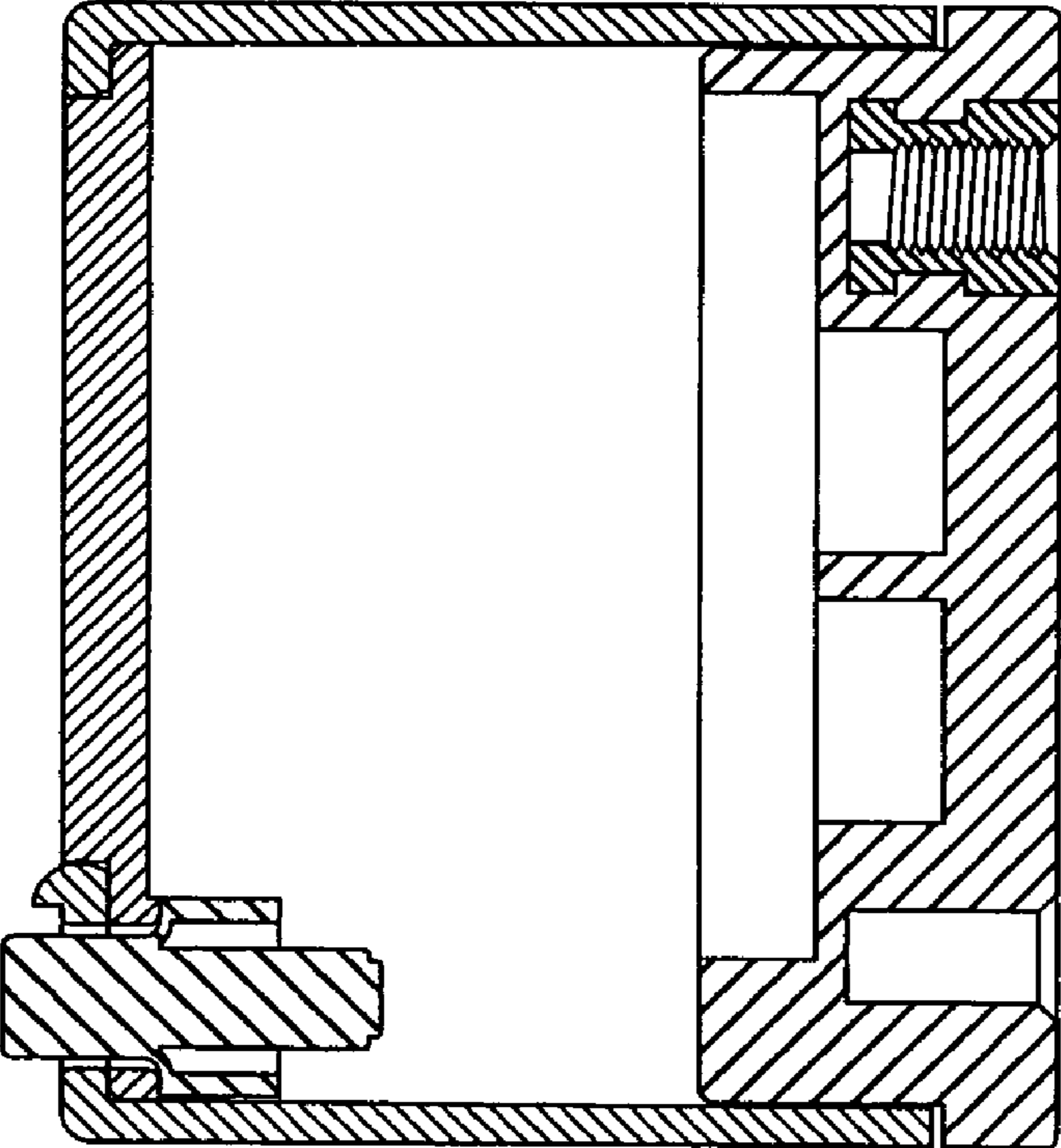
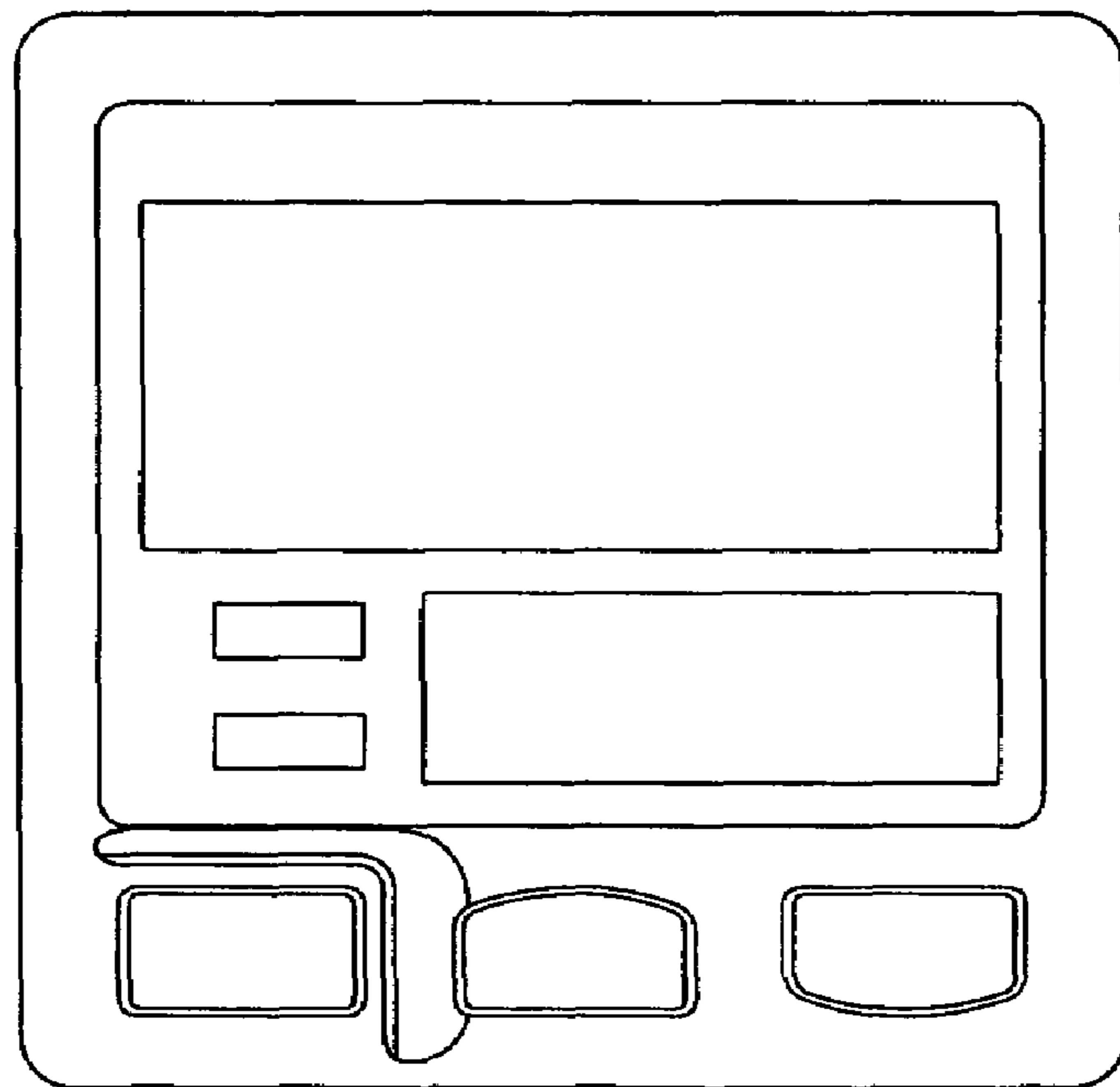
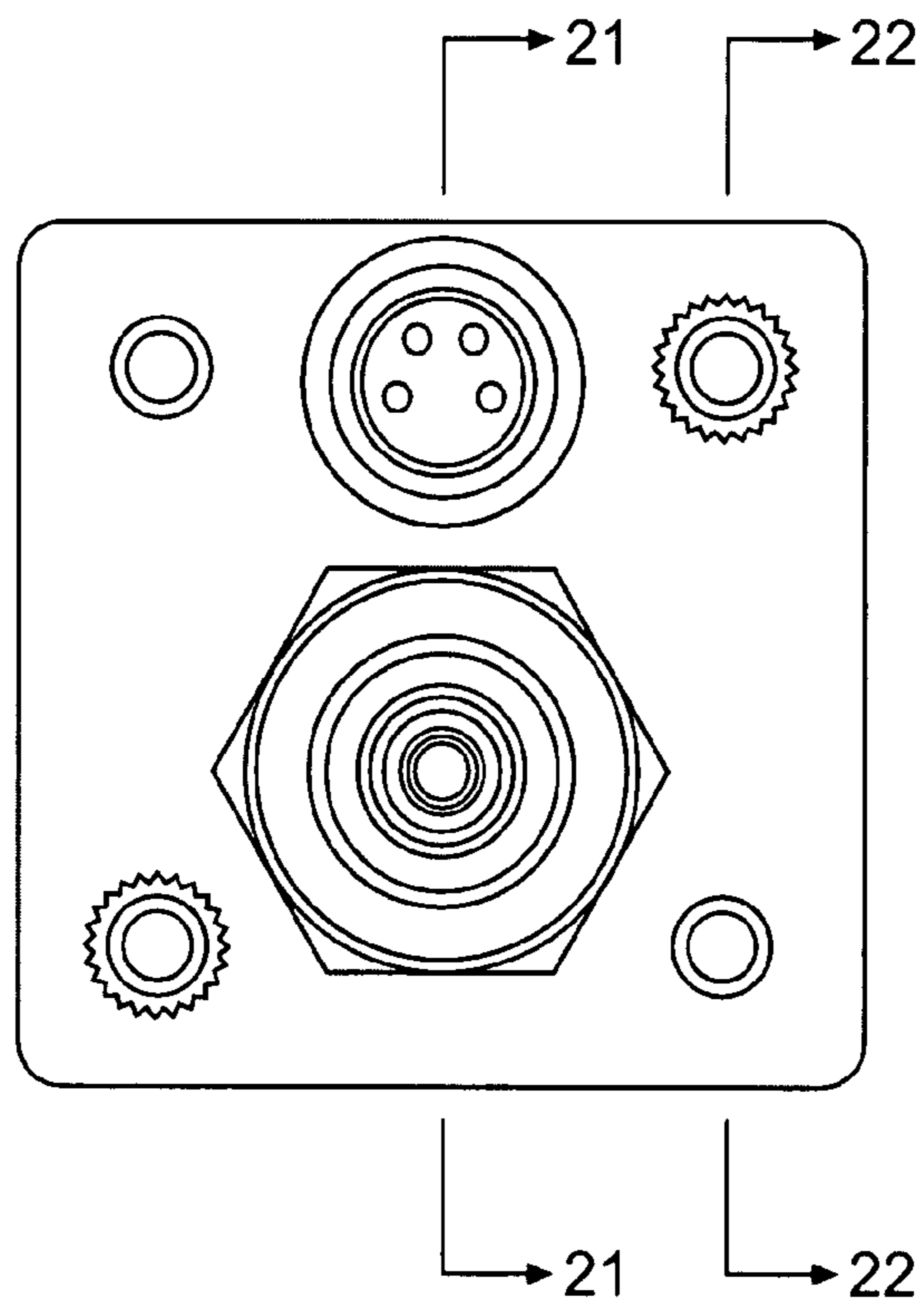


Fig.12





**FIG. 13**

Fig.14

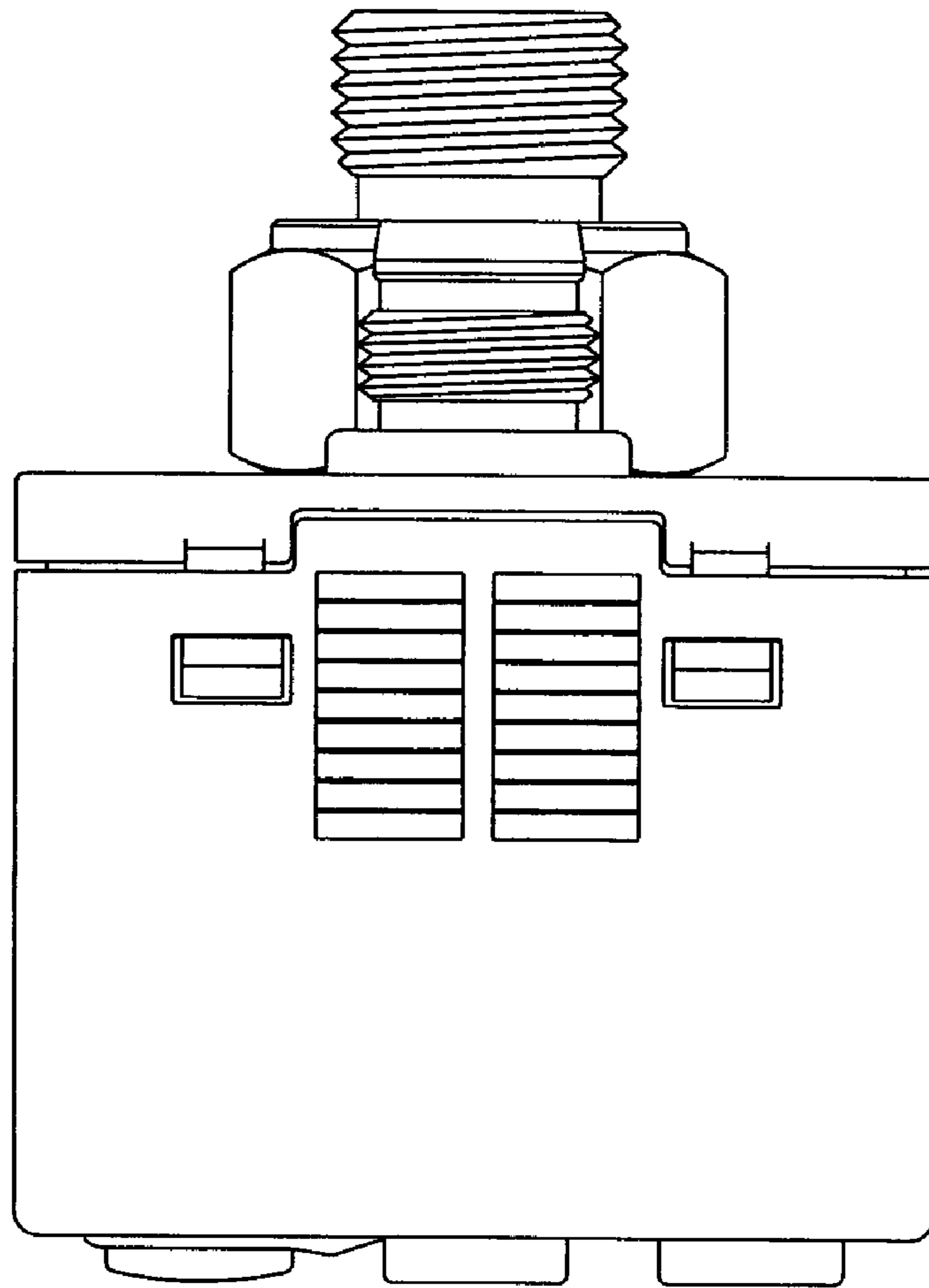




Fig.15

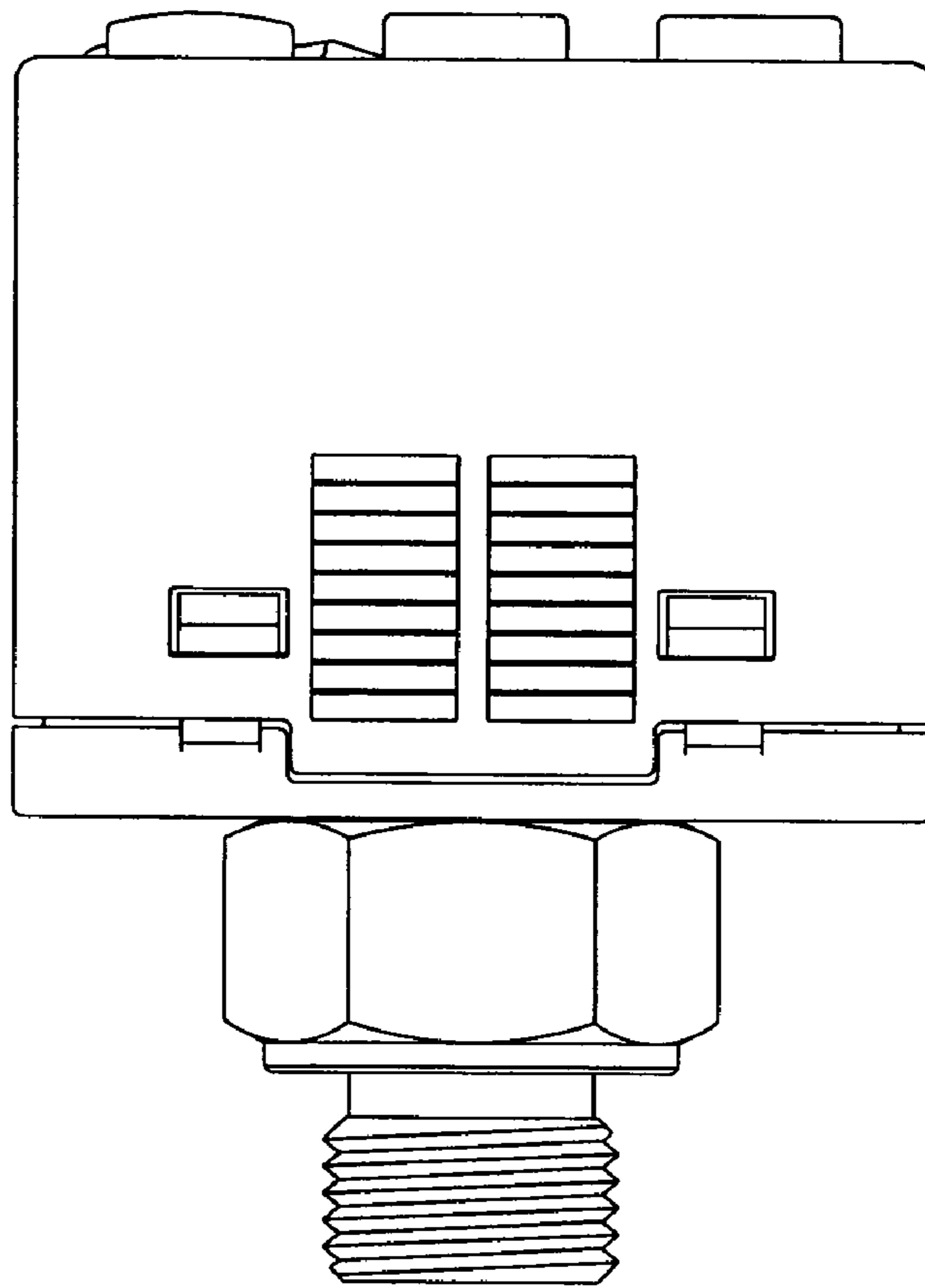


Fig.16

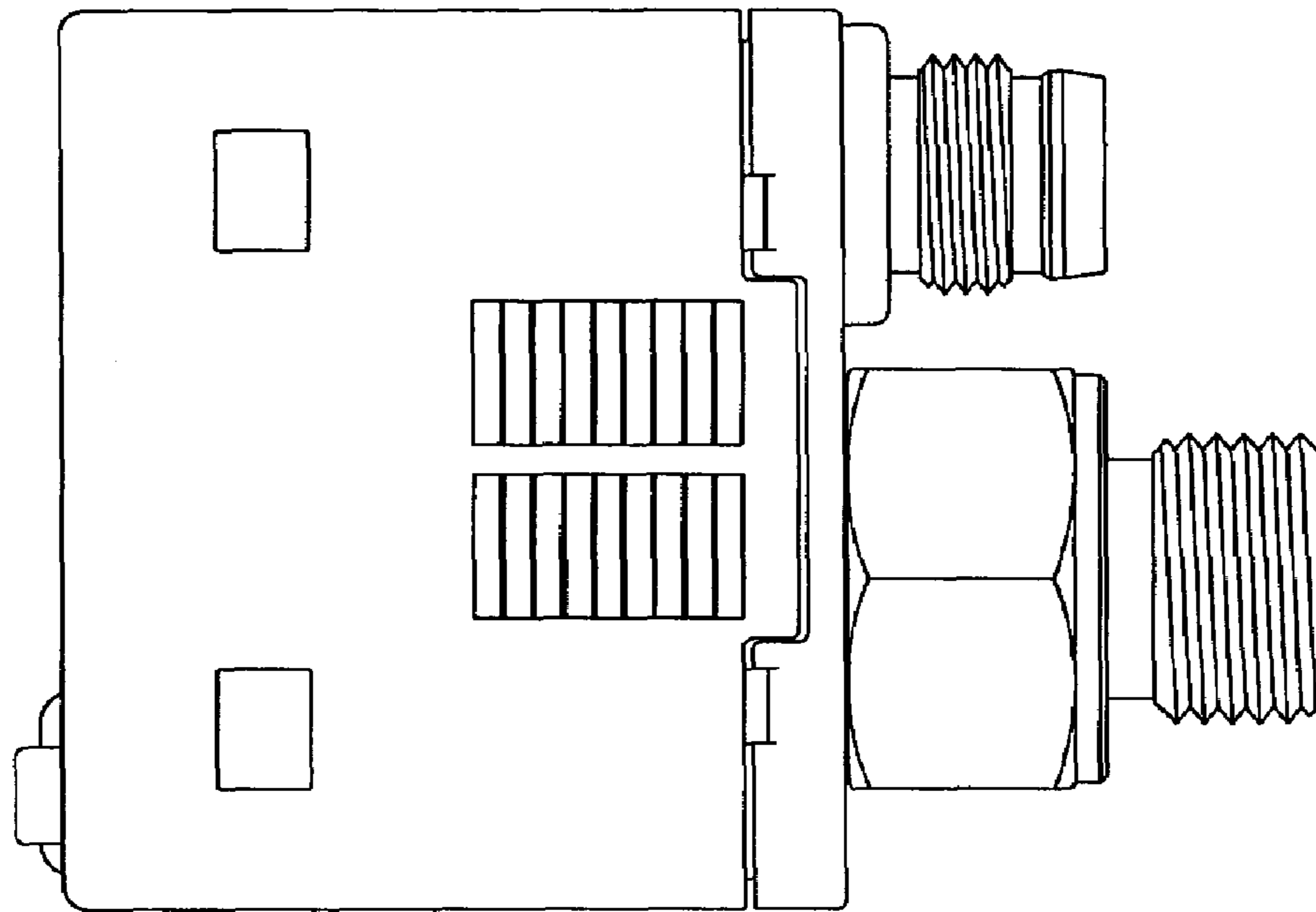


Fig.17

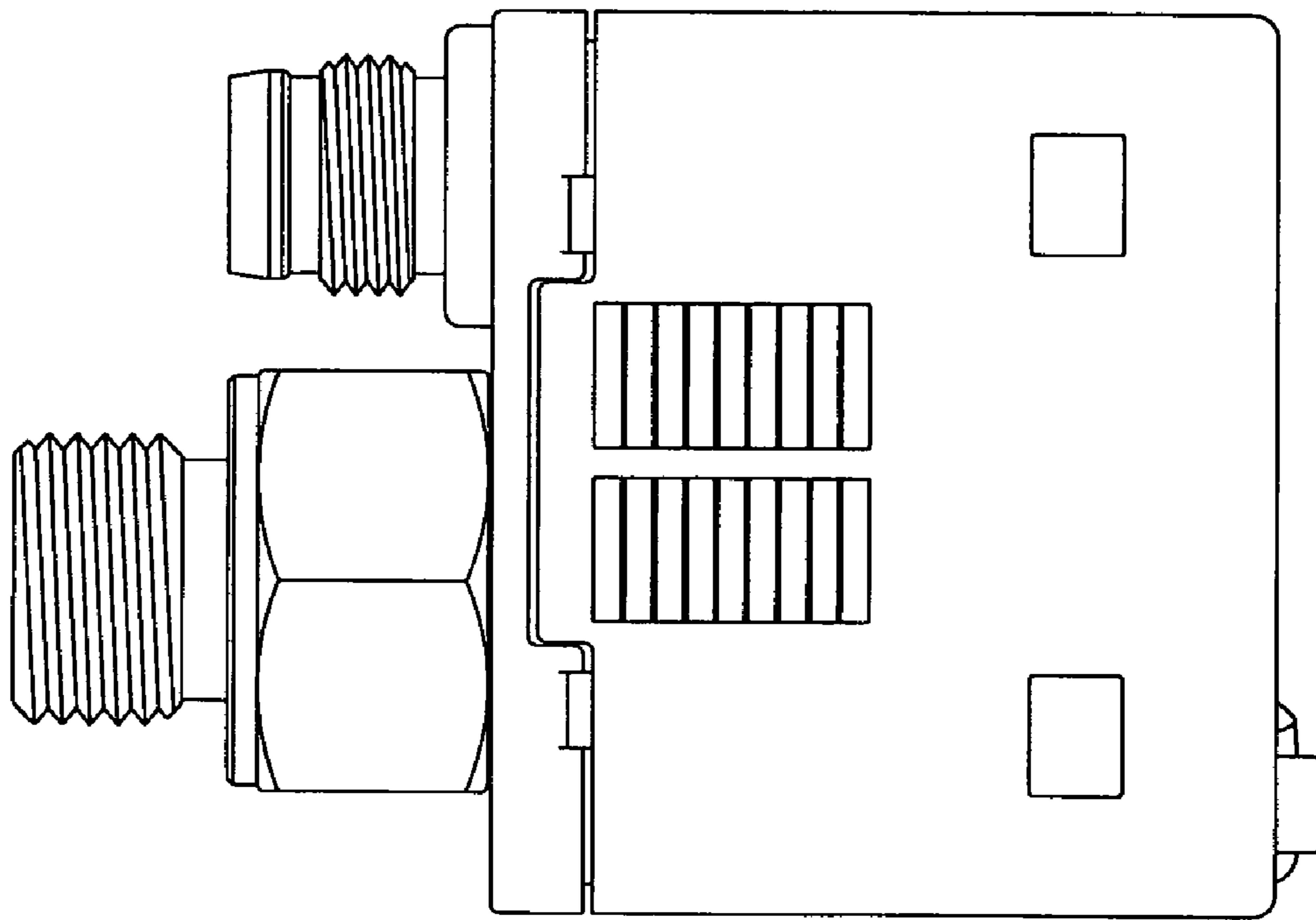


Fig.18

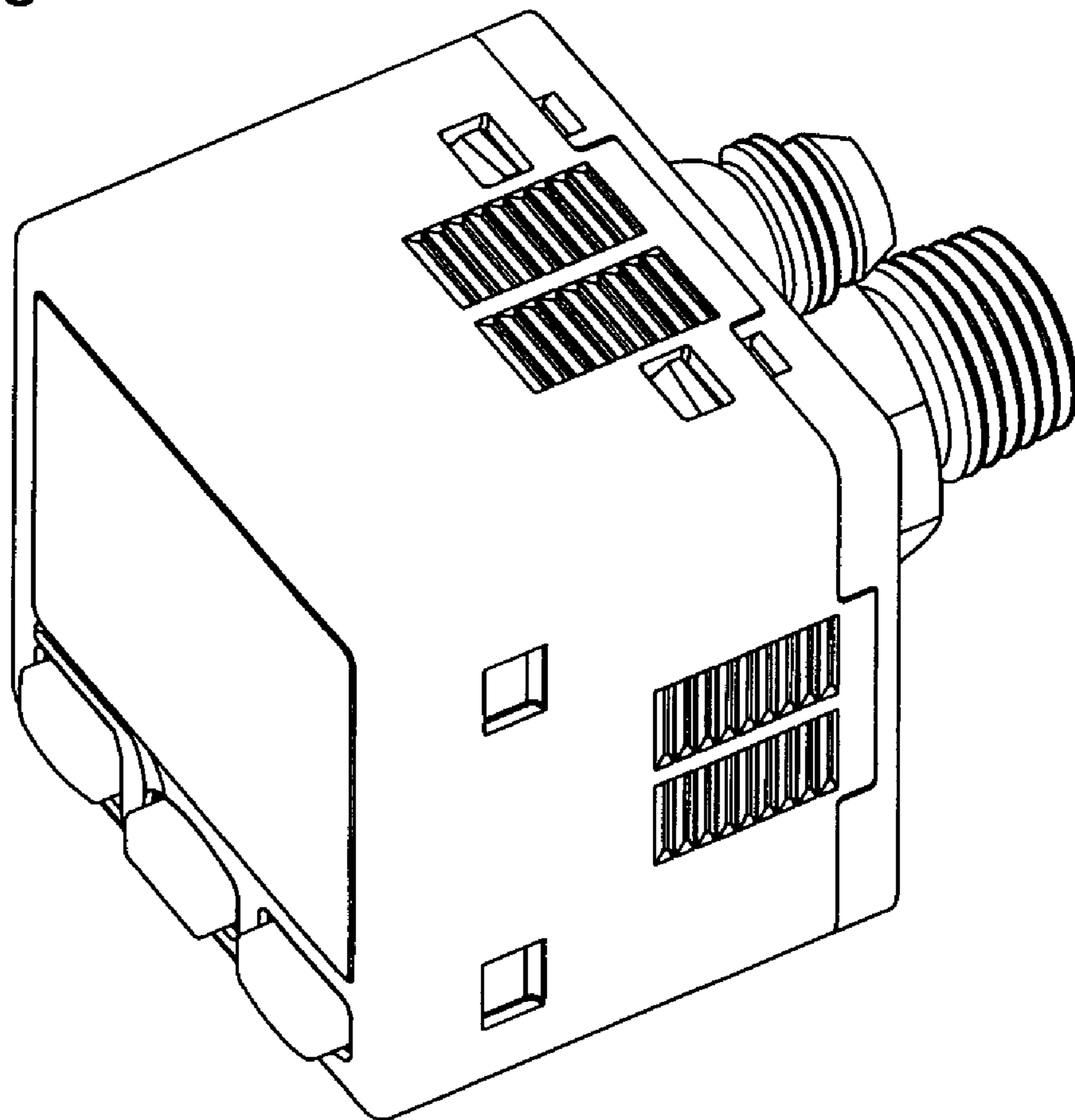
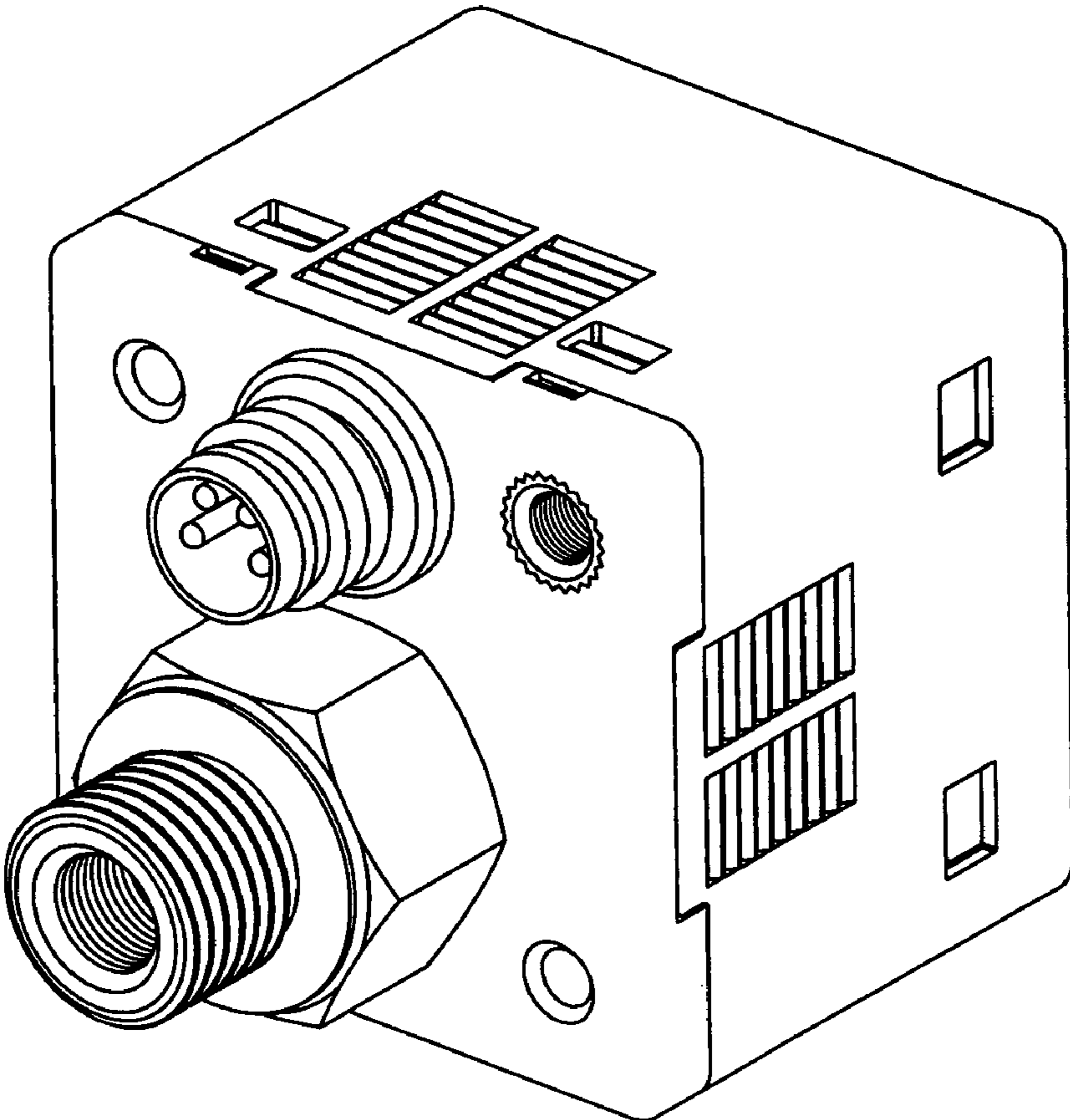
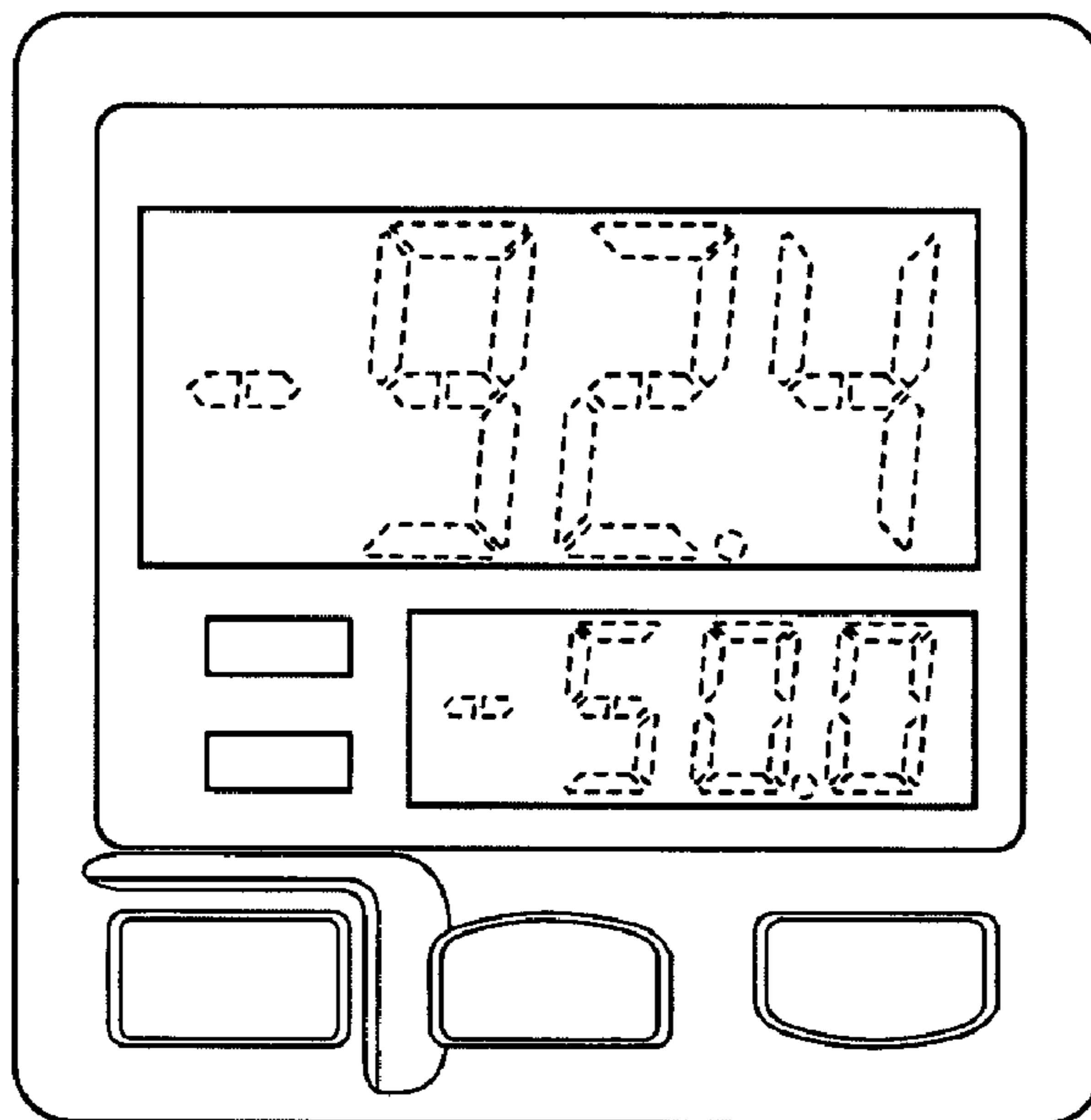


Fig.19





**FIG. 20**

Fig.21

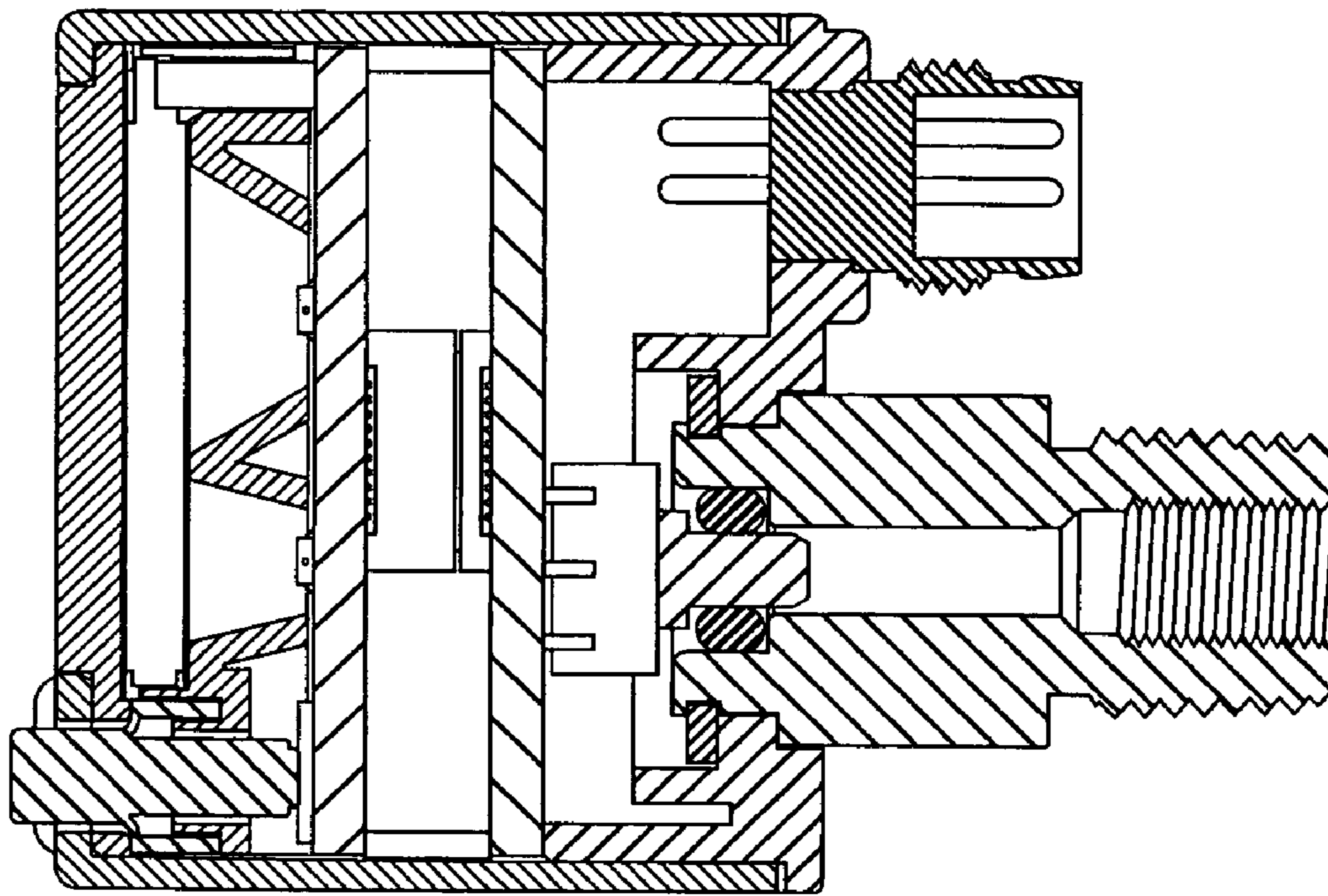


Fig.22

