



US00D559193S

(12) **United States Design Patent**  
**Stavoe et al.**

(10) **Patent No.:** **US D559,193 S**  
(45) **Date of Patent:** **\*\* Jan. 8, 2008**

(54) **CONNECTOR HOUSING**

(75) Inventors: **David Stavoe**, Redmond, WA (US);  
**Frank M. Salinas**, Sunnyvale, CA  
(US); **Jeffery M. Reents**, Carnation,  
WA (US)

(73) Assignee: **Microsoft Corporation**, Redmond, WA  
(US)

(\*\*) Term: **14 Years**

(21) Appl. No.: **29/229,696**

(22) Filed: **May 11, 2005**

(51) **LOC (8) Cl.** ..... **13-03**

(52) **U.S. Cl.** ..... **D13/154; D13/133; D13/147**

(58) **Field of Classification Search** ..... D13/133,  
D13/147, 154, 184, 199; 439/638, 355, 660,  
439/668, 669

See application file for complete search history.

(56) **References Cited**

**U.S. PATENT DOCUMENTS**

5,127,848 A \* 7/1992 Taguchi ..... 439/489  
D347,208 S \* 5/1994 Martin et al. .... D13/133  
D368,696 S \* 4/1996 Nagele et al. .... D13/133  
D415,102 S \* 10/1999 Suzuki et al. .... D13/133

D471,156 S \* 3/2003 Sass et al. .... D13/133  
D488,159 S \* 4/2004 Chung ..... D14/433  
D531,127 S \* 10/2006 Zhong et al. .... D13/147  
D543,156 S \* 5/2007 Suckle ..... D13/154

\* cited by examiner

*Primary Examiner*—Daniel Bui

(74) *Attorney, Agent, or Firm*—Banner & Witcoff, Ltd.

(57) **CLAIM**

The ornamental design for a connector housing, as shown  
and described.

**DESCRIPTION**

FIG. 1 is a perspective view of a connector housing showing  
our new design;

FIG. 2 is a top view thereof;

FIG. 3 is a bottom view thereof;

FIG. 4 is a right side view thereof;

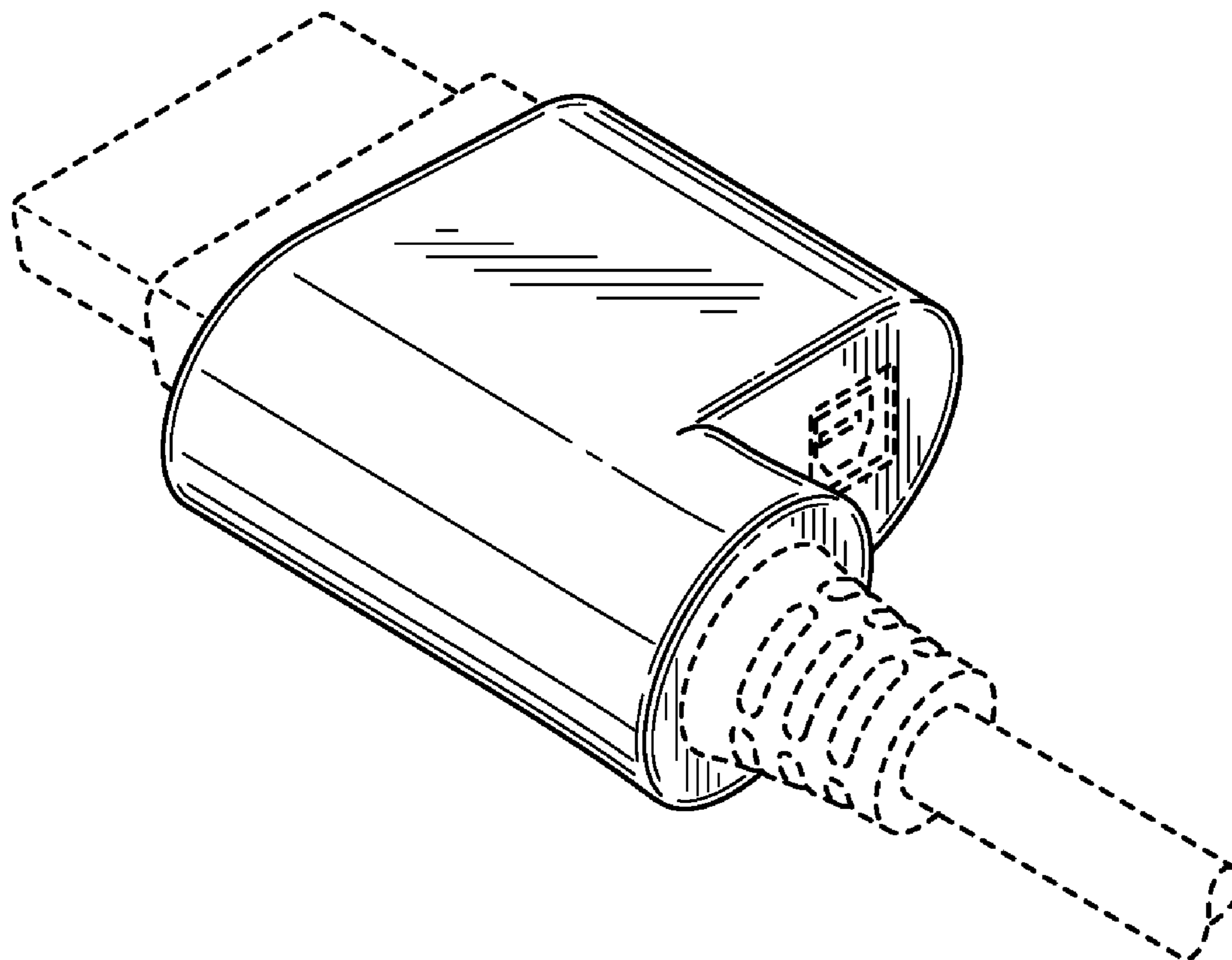
FIG. 5 is a left side view thereof;

FIG. 6 is a rear view thereof; and,

FIG. 7 is a front view thereof.

The broken line showing of the environment is for illustra-  
tive purposes only and forms no part of the claimed design.

**1 Claim, 3 Drawing Sheets**



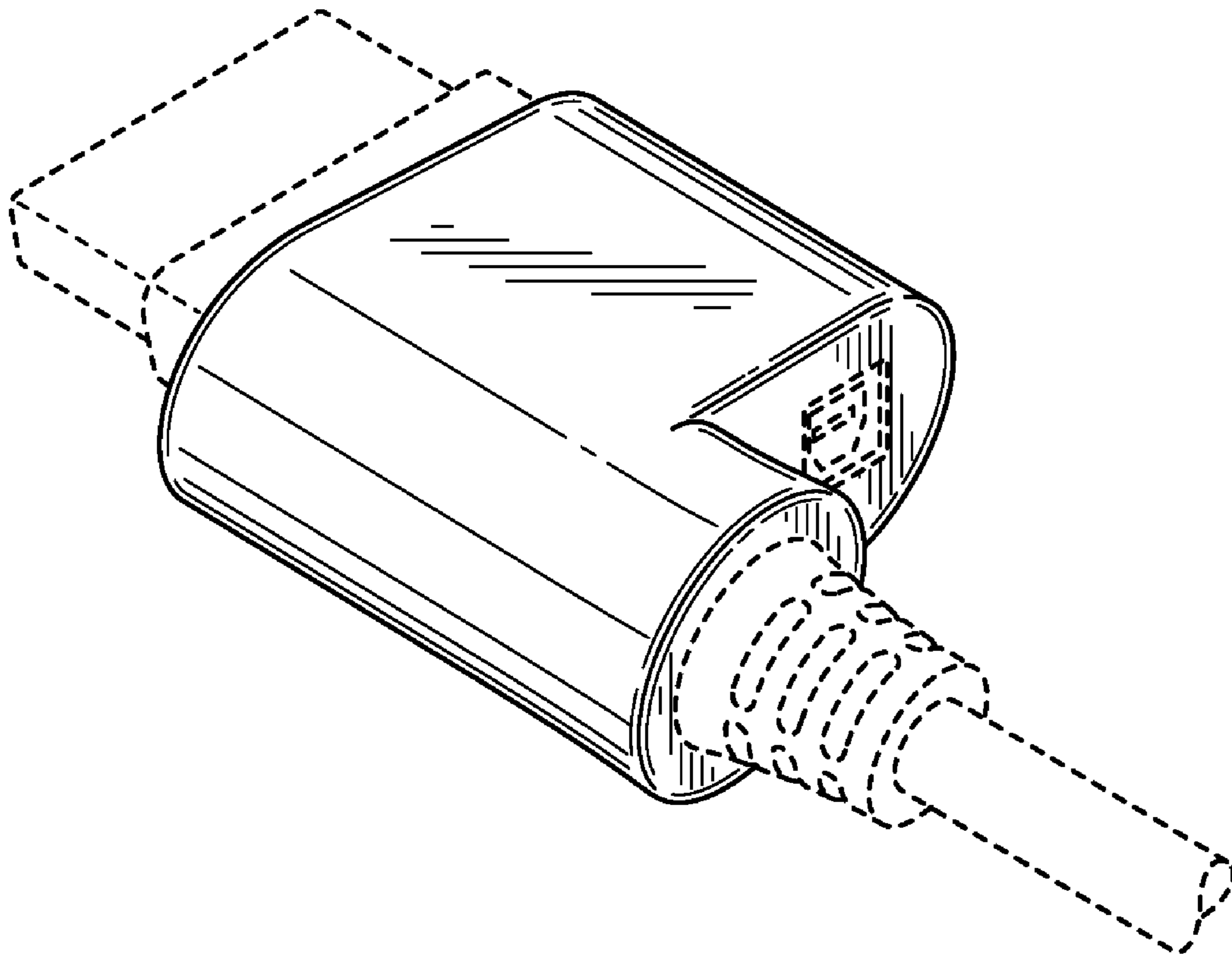


FIG. 1

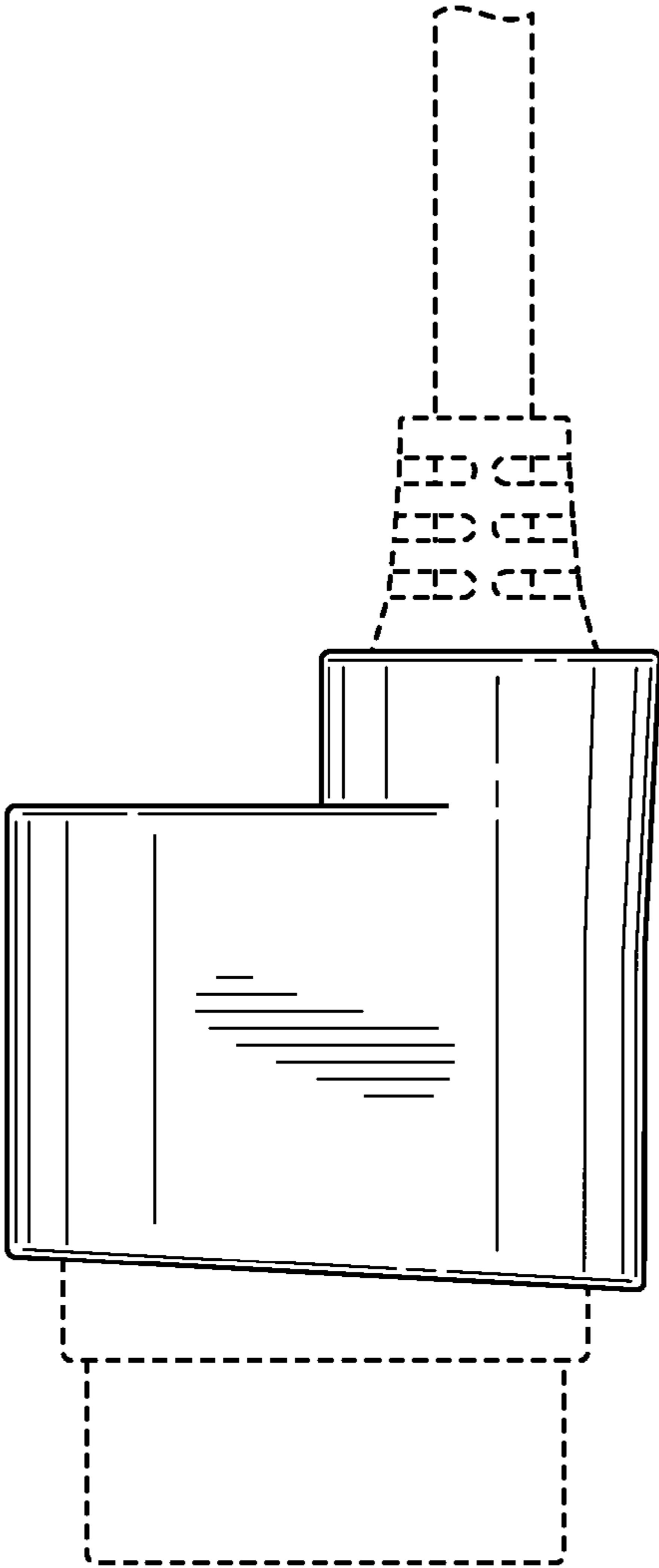


FIG. 2

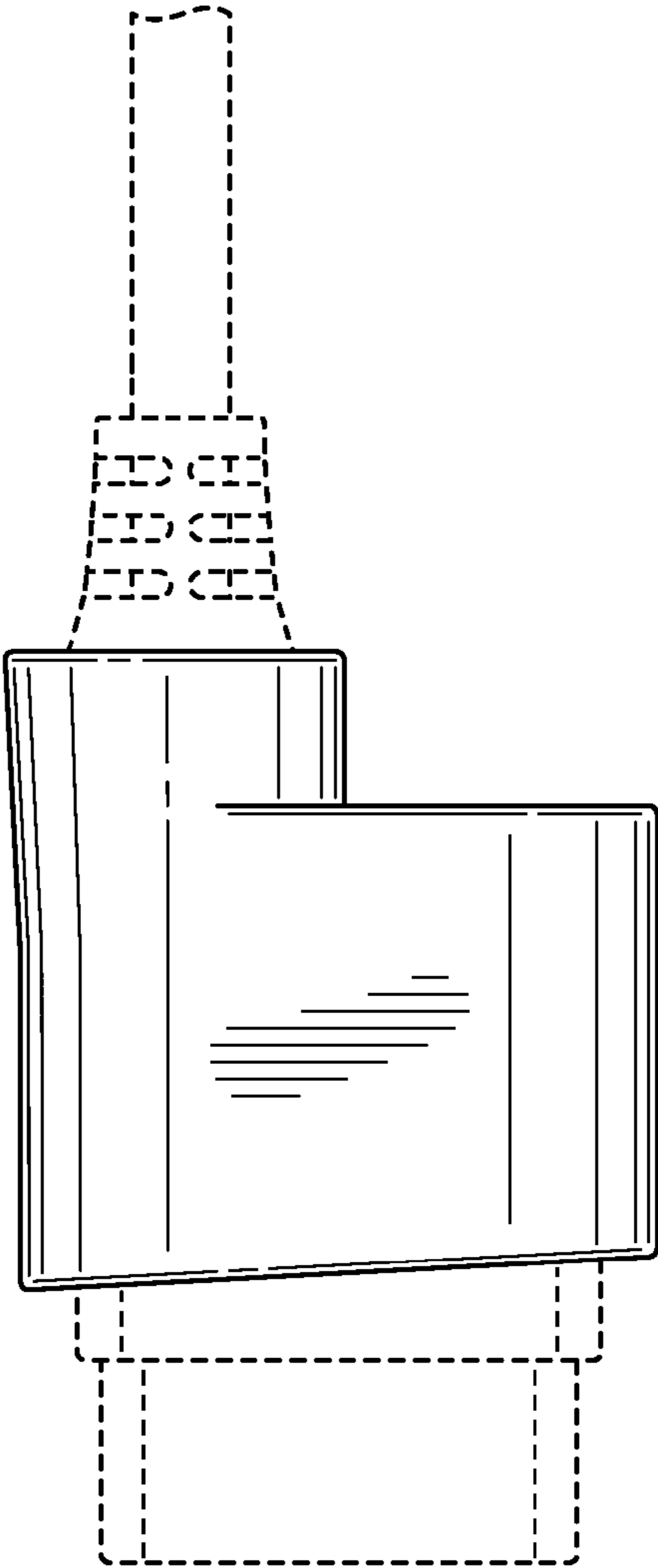


FIG. 3

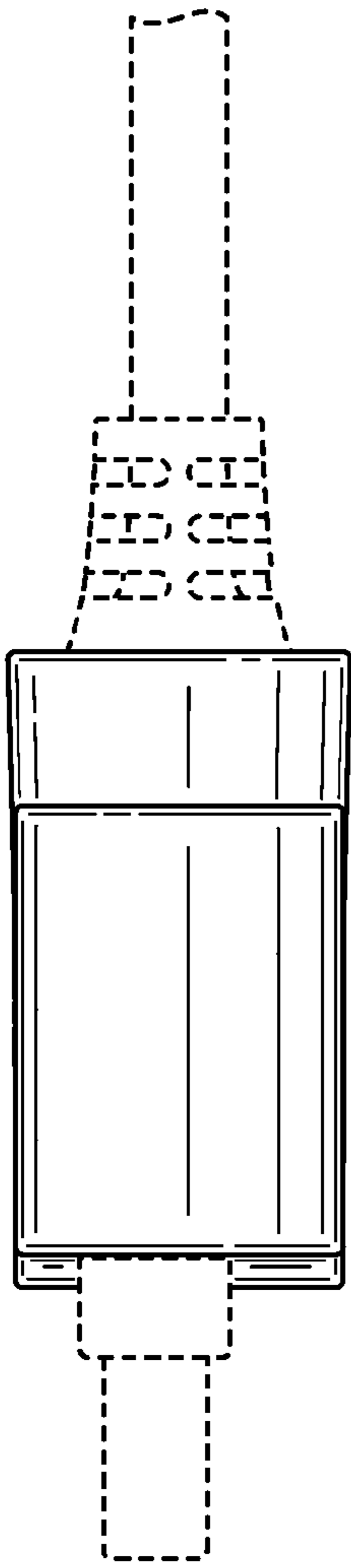


FIG. 4

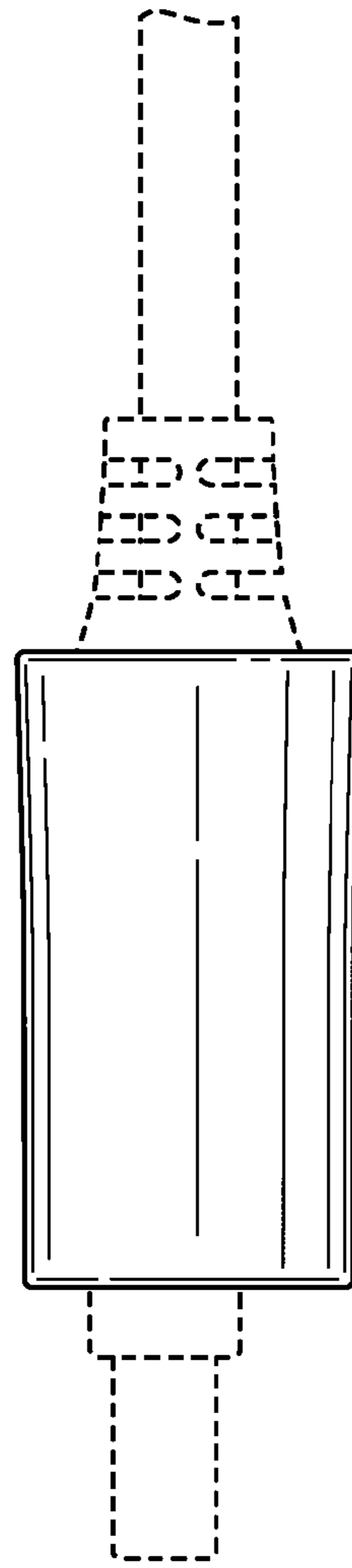


FIG. 5

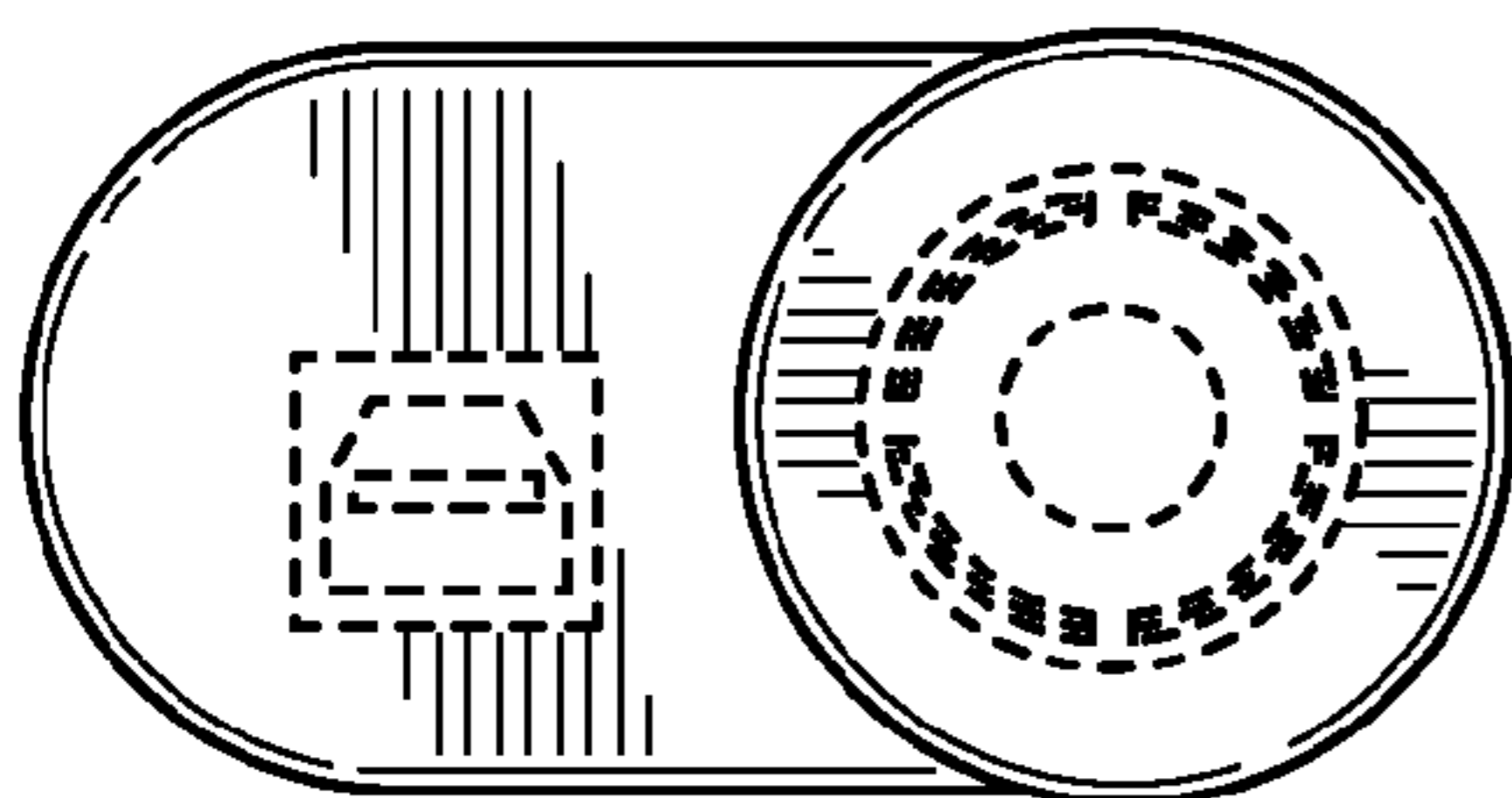


FIG. 6

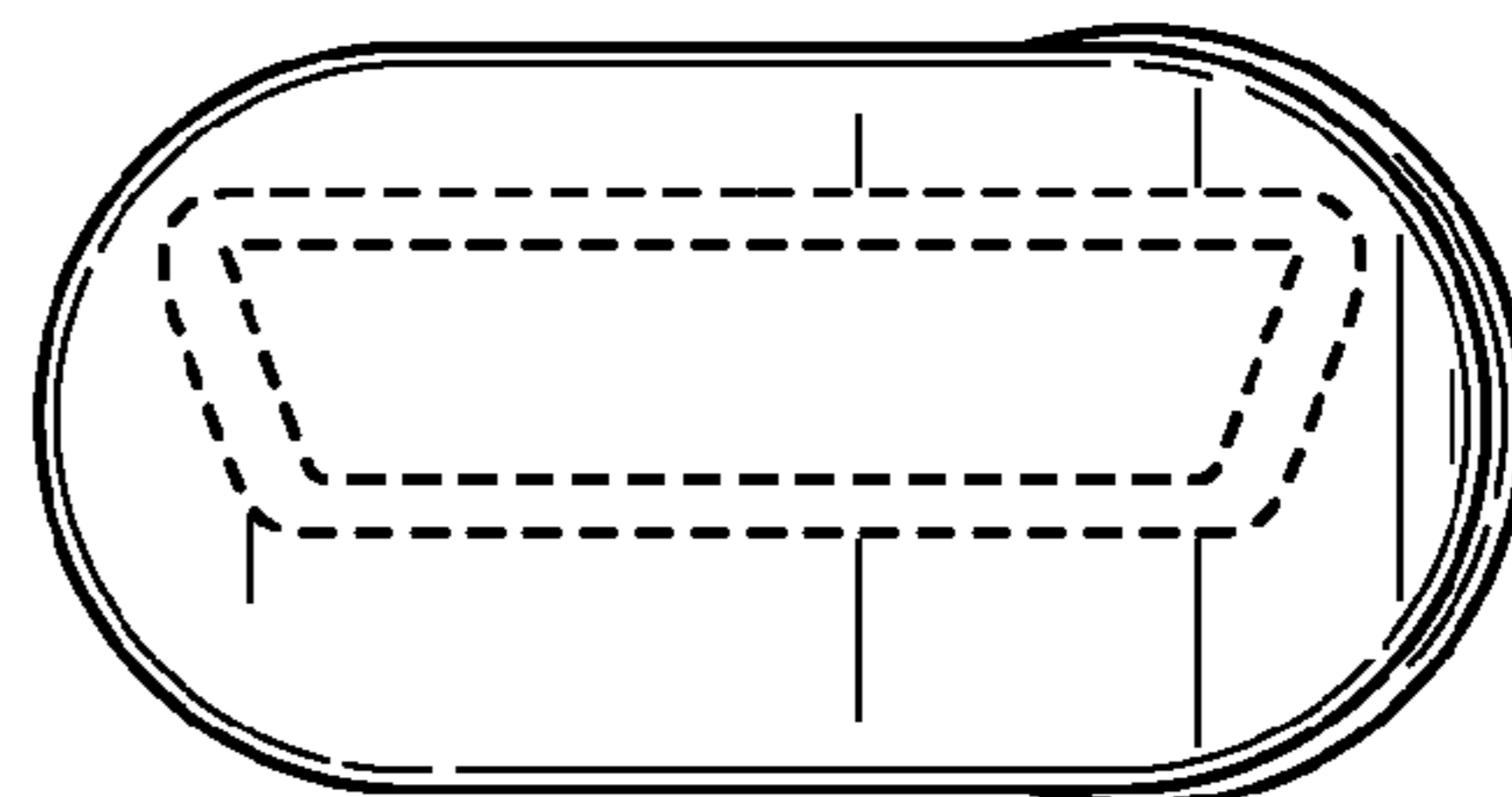


FIG. 7