



US00D559192S

(12) **United States Design Patent**
Arai et al.

(10) **Patent No.:** **US D559,192 S**
(45) **Date of Patent:** **** Jan. 8, 2008**

(54) **ELECTRICAL CONNECTOR**

(75) Inventors: **Junichi Arai**, Isesaki (JP); **Takashi Shimizu**, Isesaki (JP)

(73) Assignee: **Hosiden Corporation**, Osaka (JP)

(**) Term: **14 Years**

(21) Appl. No.: **29/286,918**

(22) Filed: **May 21, 2007**

Related U.S. Application Data

(62) Division of application No. 29/259,890, filed on May 17, 2006, now Pat. No. Des. 548,191.

(30) **Foreign Application Priority Data**

Nov. 25, 2005	(JP)	2005-034699
Nov. 25, 2005	(JP)	2005-034700
Dec. 7, 2005	(JP)	2005-036070
Dec. 7, 2005	(JP)	2005-036072
Dec. 7, 2005	(JP)	2005-036073

(51) **LOC (8) Cl.** **13-03**

(52) **U.S. Cl.** **D13/147**

(58) **Field of Classification Search** D13/133,
D13/146-148, 154, 184, 199; 439/527, 533,
439/476.1, 483, 607-610, 892, 894
See application file for complete search history.

(56) **References Cited**

U.S. PATENT DOCUMENTS

6,986,681 B2 * 1/2006 Tsai 439/607

7,121,887 B2 *	10/2006	Zhang et al.	439/607
7,217,146 B2 *	5/2007	Meister et al.	439/148
2006/0128219 A1 *	6/2006	Zhang et al.	439/607

* cited by examiner

Primary Examiner—Daniel Bui

(74) *Attorney, Agent, or Firm*—William L. Androlia; H. Henry Koda

(57) **CLAIM**

The ornamental design for an electrical connector, as shown and described.

DESCRIPTION

FIG. 1 is a top, front and right side perspective view of an electrical connector, showing our new design;

FIG. 2 is a bottom, rear and left side perspective view thereof;

FIG. 3 is a front elevation view thereof;

FIG. 4 is a rear elevation view thereof;

FIG. 5 is a left side elevation view thereof, the right side elevation view being a mirror image thereto;

FIG. 6 is a top plan view thereof;

FIG. 7 is a bottom plan view thereof;

FIG. 8 is a cross sectional view thereof, taken along the line 8—8 in FIG. 3; and,

FIG. 9 is a cross sectional view thereof, taken along the line 9—9 in FIG. 3.

1 Claim, 4 Drawing Sheets

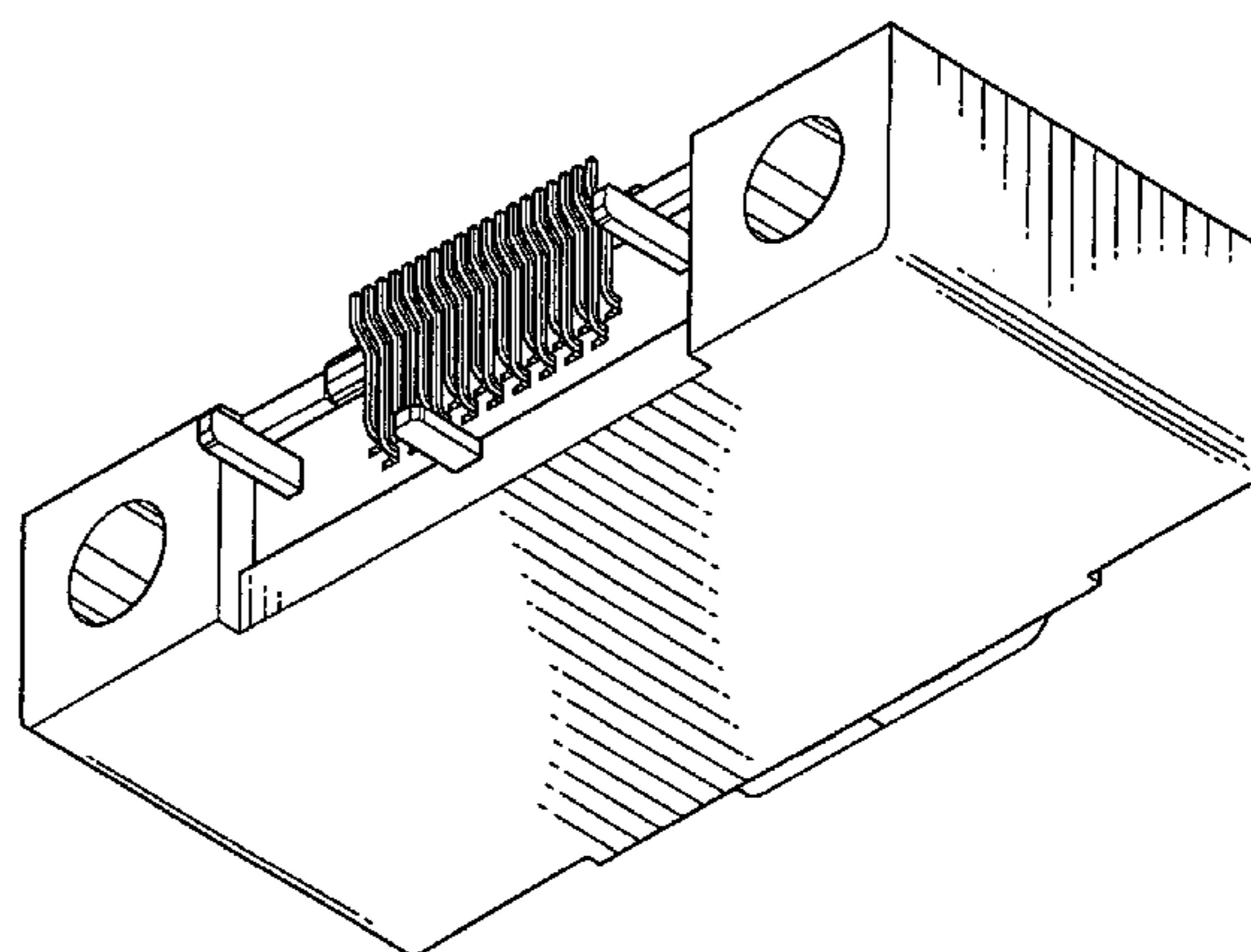
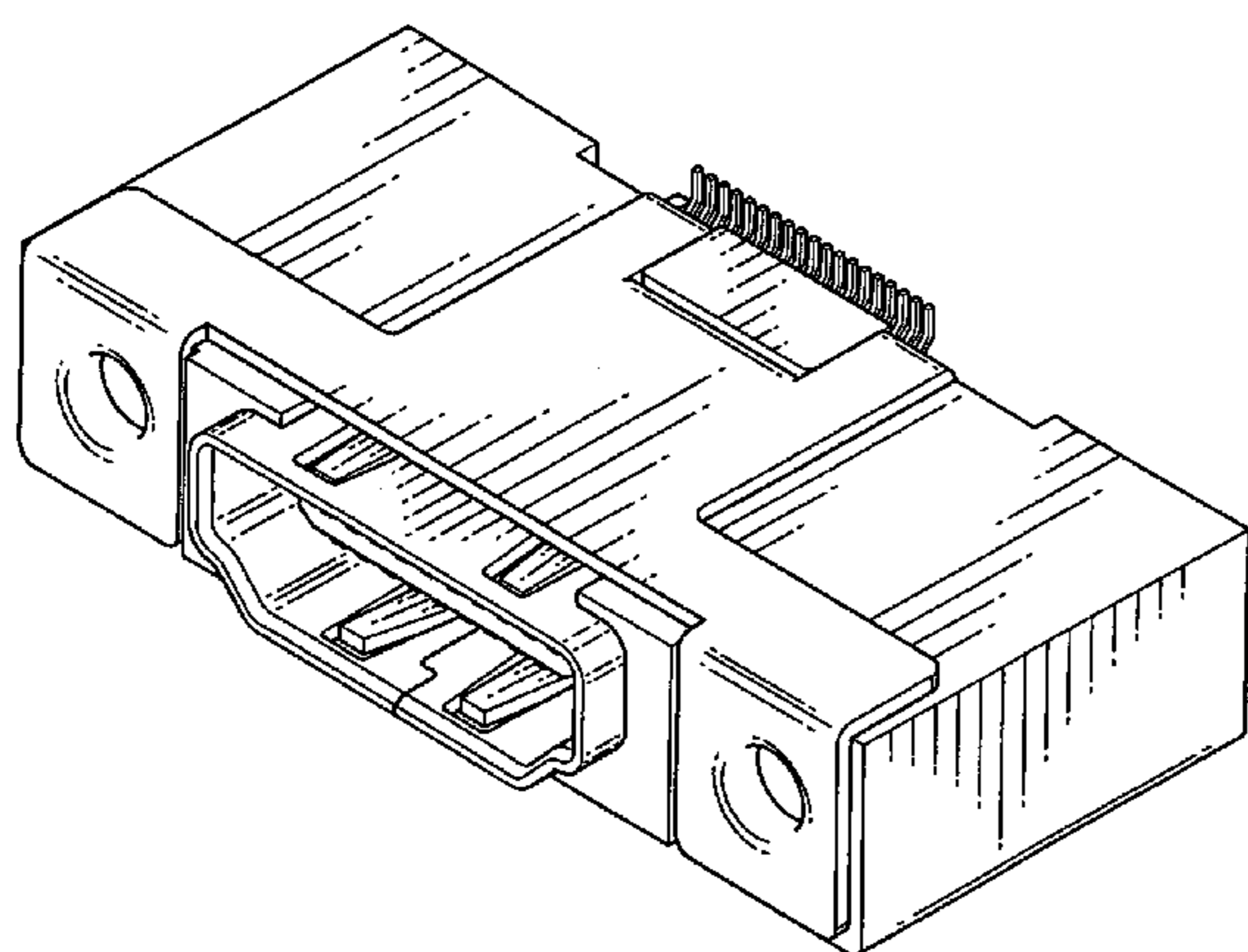


Fig. 1

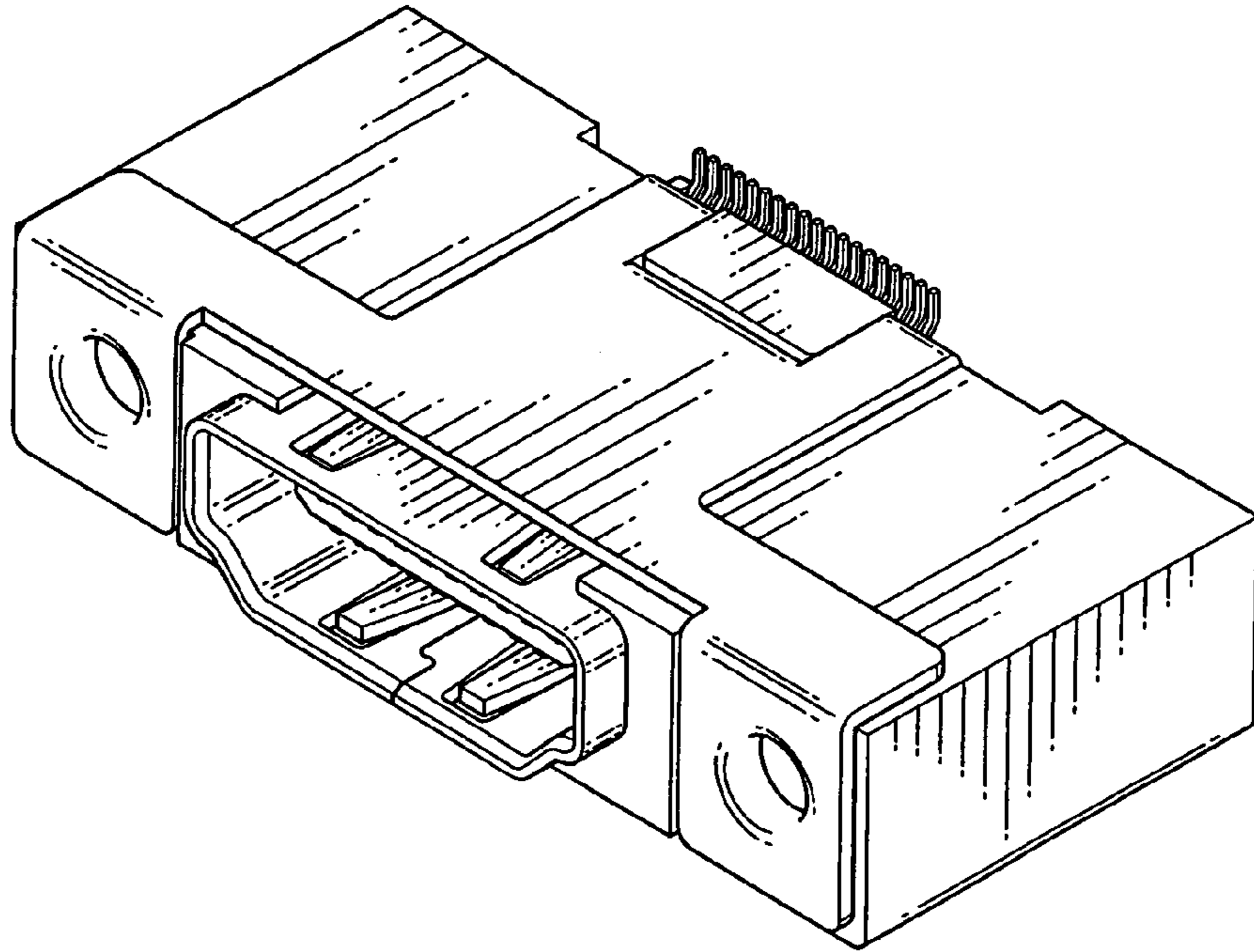


Fig. 2

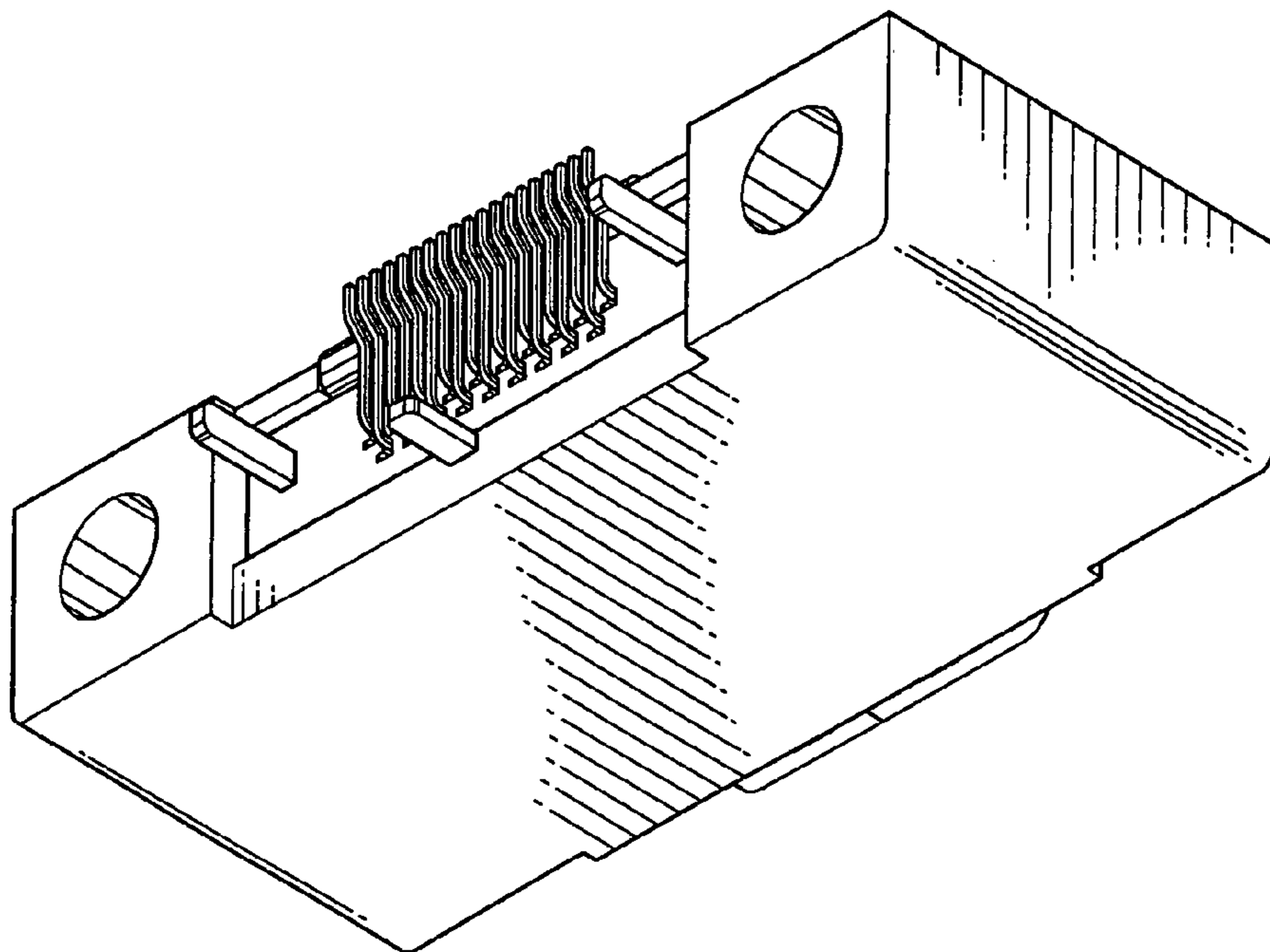


Fig. 3

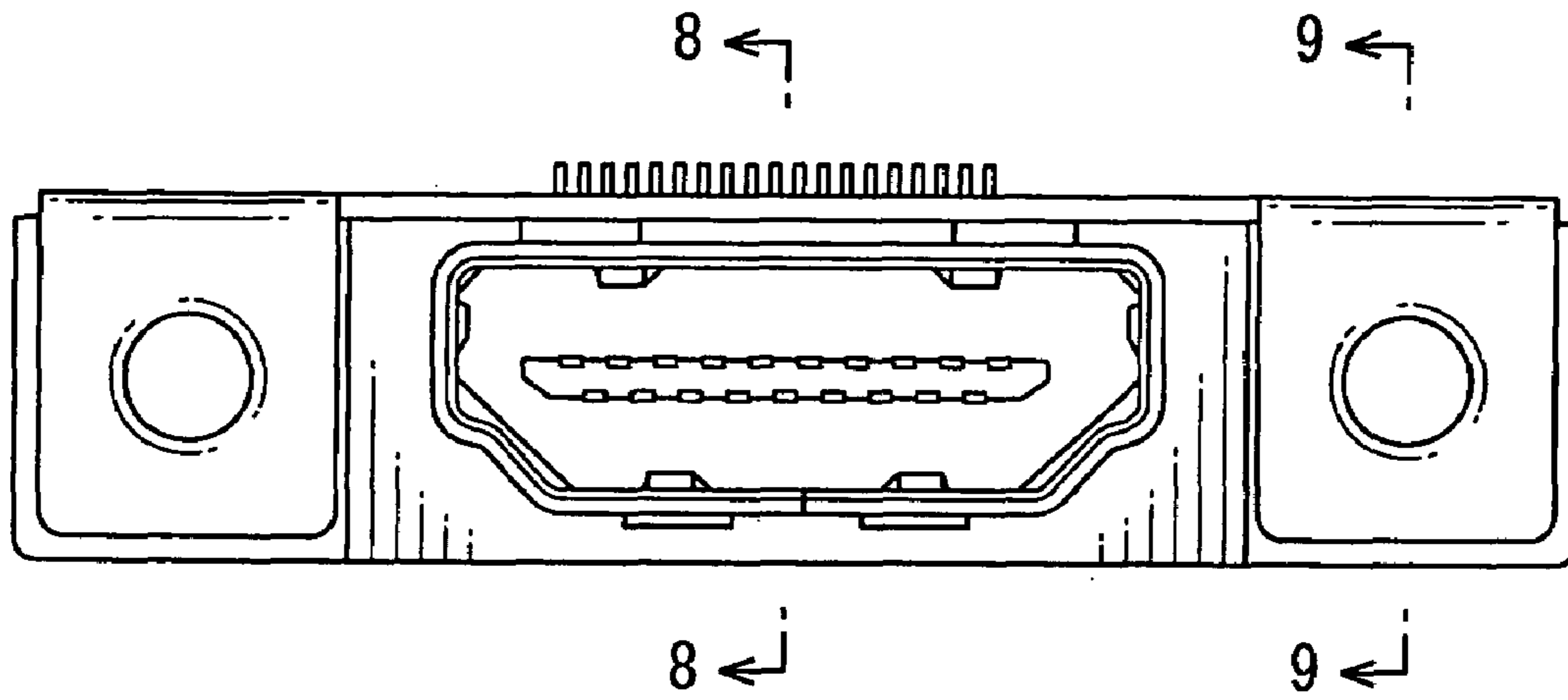


Fig. 4

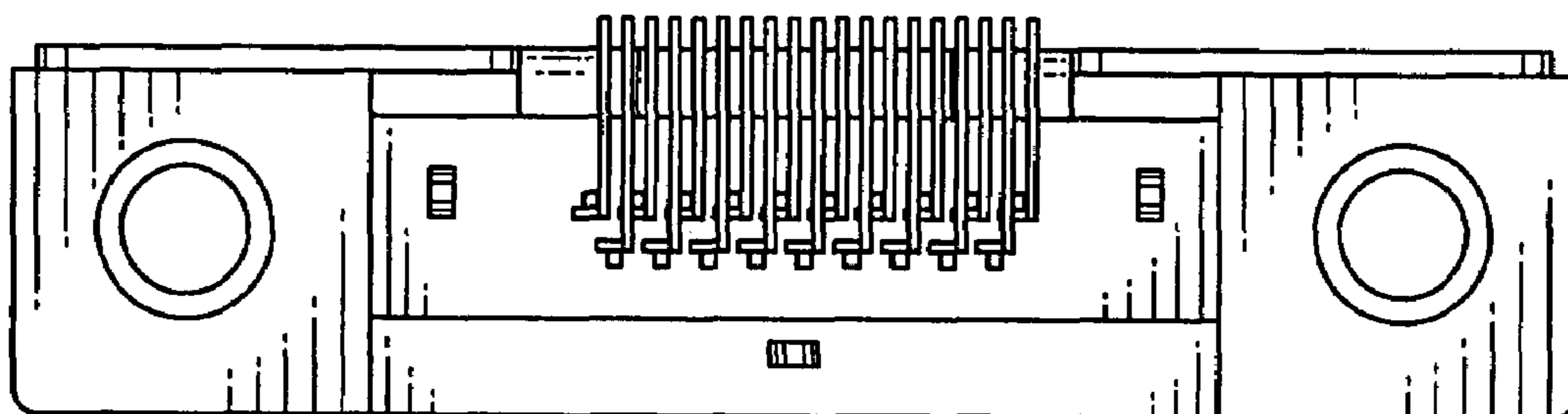


Fig. 5

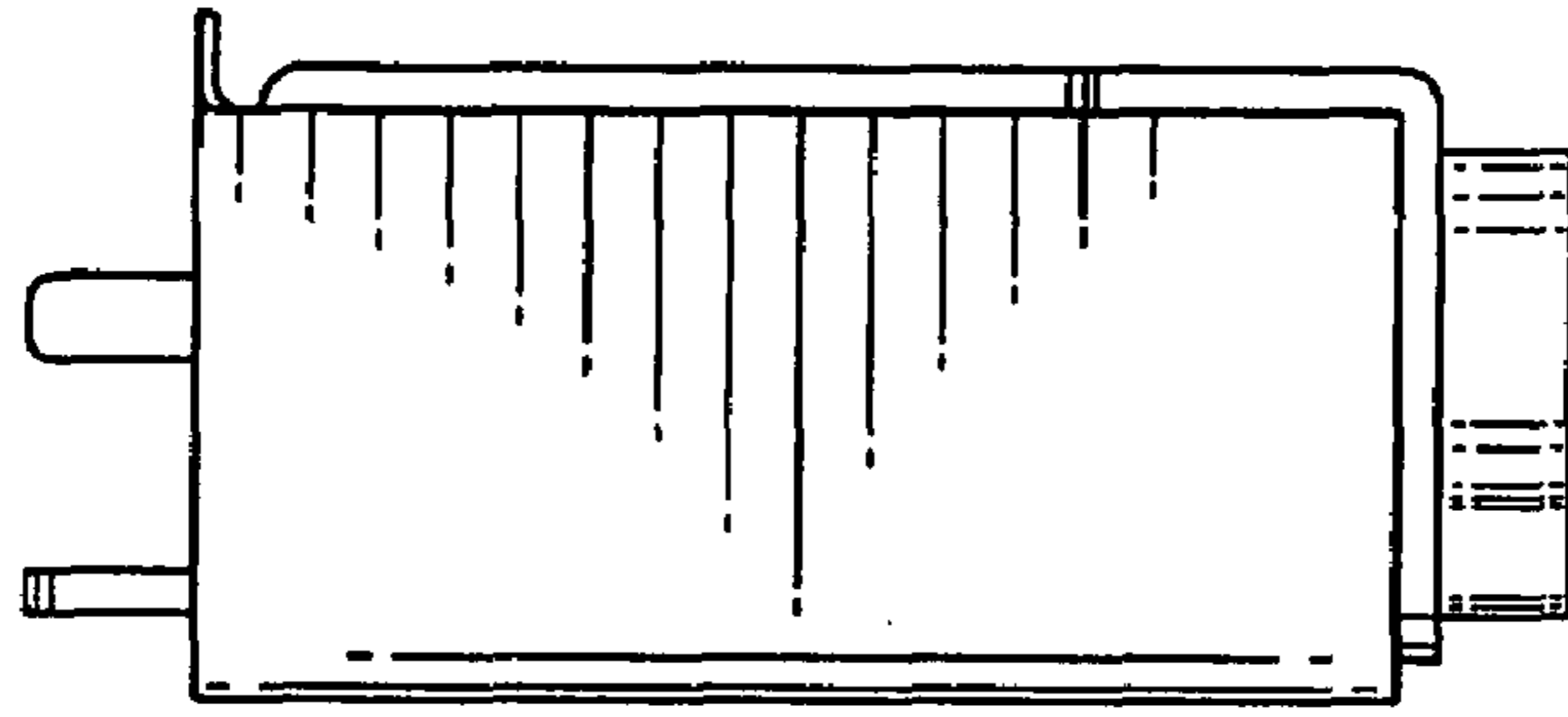


Fig. 6

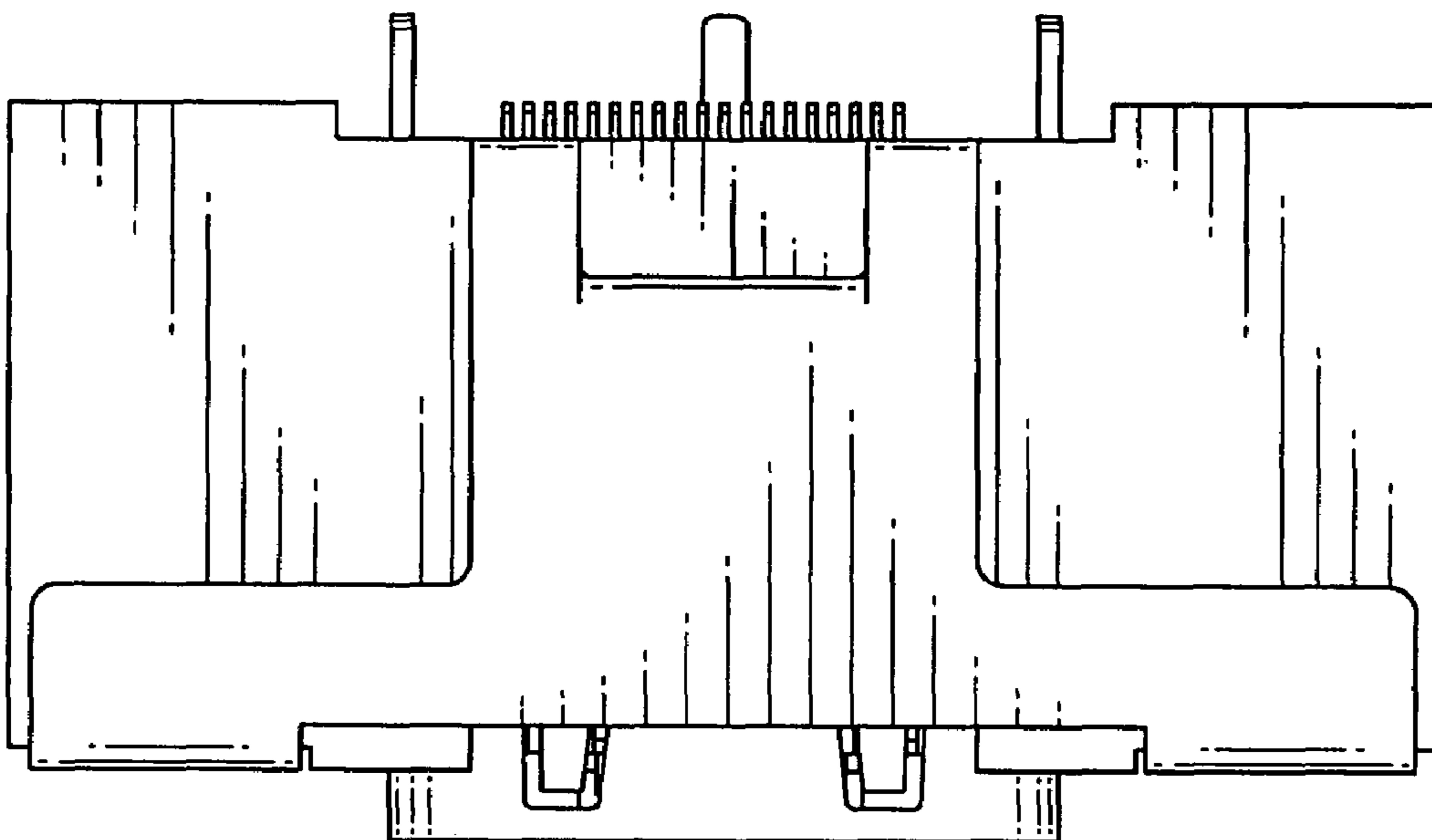


Fig. 7

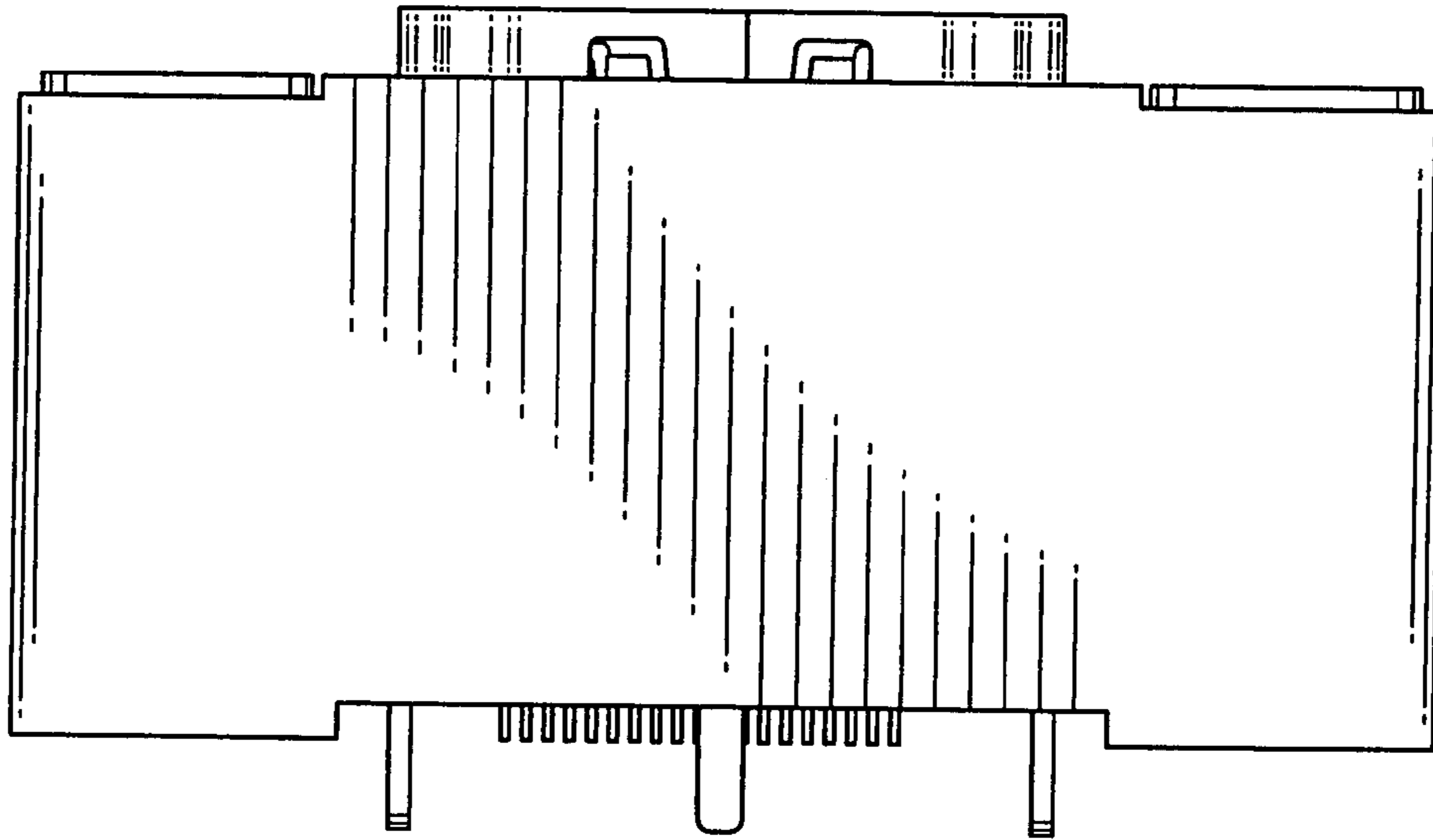


Fig. 8

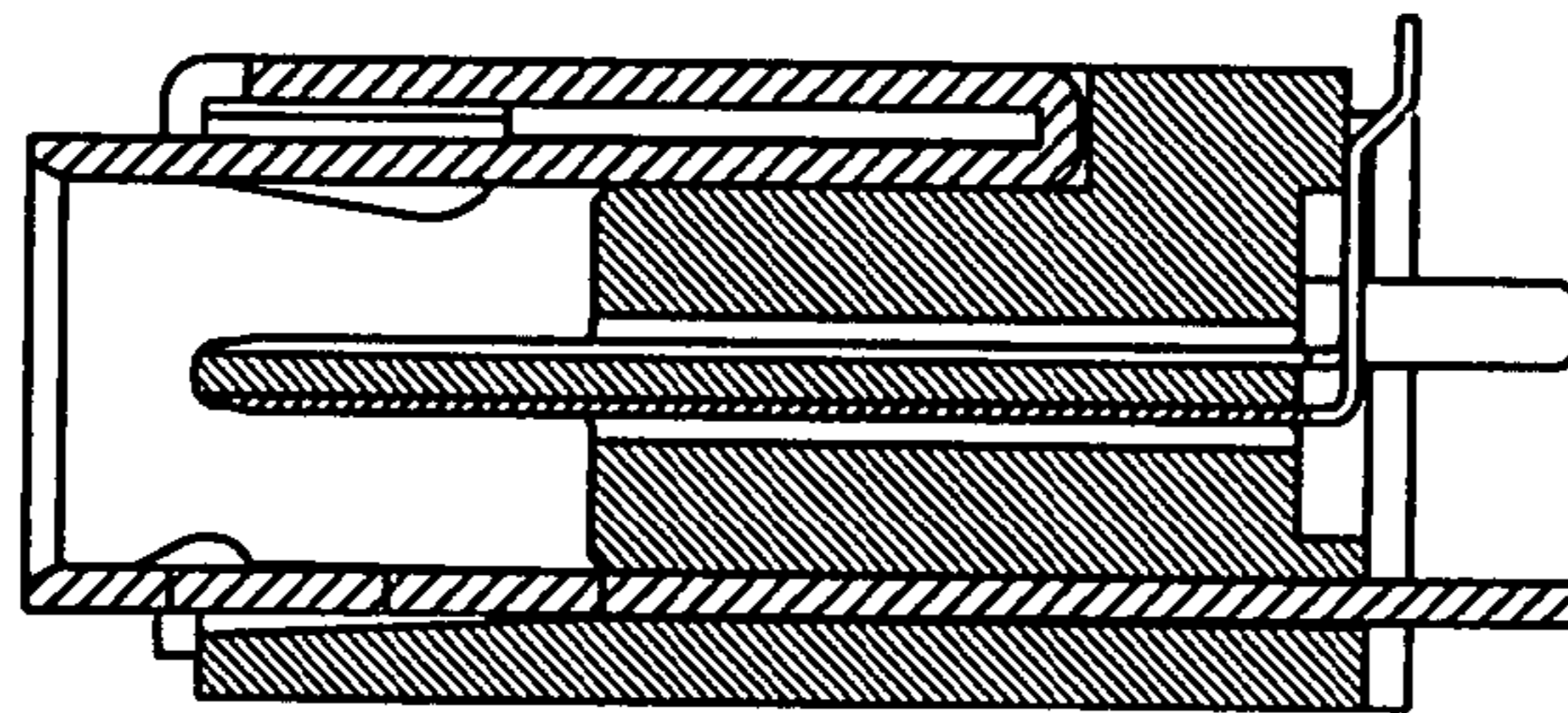


Fig. 9

