



US00D559190S

(12) **United States Design Patent**  
**Arai et al.**

(10) **Patent No.:** **US D559,190 S**  
(45) **Date of Patent:** **\*\* Jan. 8, 2008**

(54) **ELECTRICAL CONNECTOR**

(75) Inventors: **Junichi Arai**, Isesaki (JP); **Takashi Shimizu**, Isesaki (JP)

(73) Assignee: **Hosiden Corporation**, Osaka (JP)

(\*\*) Term: **14 Years**

(21) Appl. No.: **29/286,916**

(22) Filed: **May 21, 2007**

**Related U.S. Application Data**

(62) Division of application No. 29/259,890, filed on May 17, 2006, now Pat. No. Des. 548,191.

(30) **Foreign Application Priority Data**

Nov. 25, 2005	(JP)	.....	2005-034699
Nov. 25, 2005	(JP)	.....	2005-034700
Dec. 7, 2005	(JP)	.....	2005-036070
Dec. 7, 2005	(JP)	.....	2005-036072
Dec. 7, 2005	(JP)	.....	2005-036073

(51) **LOC (8) Cl.** ..... **13-03**

(52) **U.S. Cl.** ..... **D13/147**

(58) **Field of Classification Search** ..... D13/133,  
D13/146-148, 154, 184, 199; 439/527, 533,  
439/476.1, 483, 607-610, 892, 894  
See application file for complete search history.

(56) **References Cited**

**U.S. PATENT DOCUMENTS**

6,986,681 B2 \* 1/2006 Tsai ..... 439/607

7,121,887 B2 *	10/2006	Zhang et al. ....	439/607
7,217,146 B2 *	5/2007	Meister et al. ....	439/148
2006/0128219 A1 *	6/2006	Zhang et al. ....	439/607

\* cited by examiner

*Primary Examiner*—Daniel Bui

(74) *Attorney, Agent, or Firm*—William L. Androlia; H. Henry Koda

(57) **CLAIM**

The ornamental design for an electrical connector, as shown and described.

**DESCRIPTION**

FIG. 1 is a top, front and right side perspective view of an electrical connector, showing our new design;

FIG. 2 is a bottom, rear and left side perspective view thereof;

FIG. 3 is a front elevation view thereof;

FIG. 4 is a rear elevation view thereof;

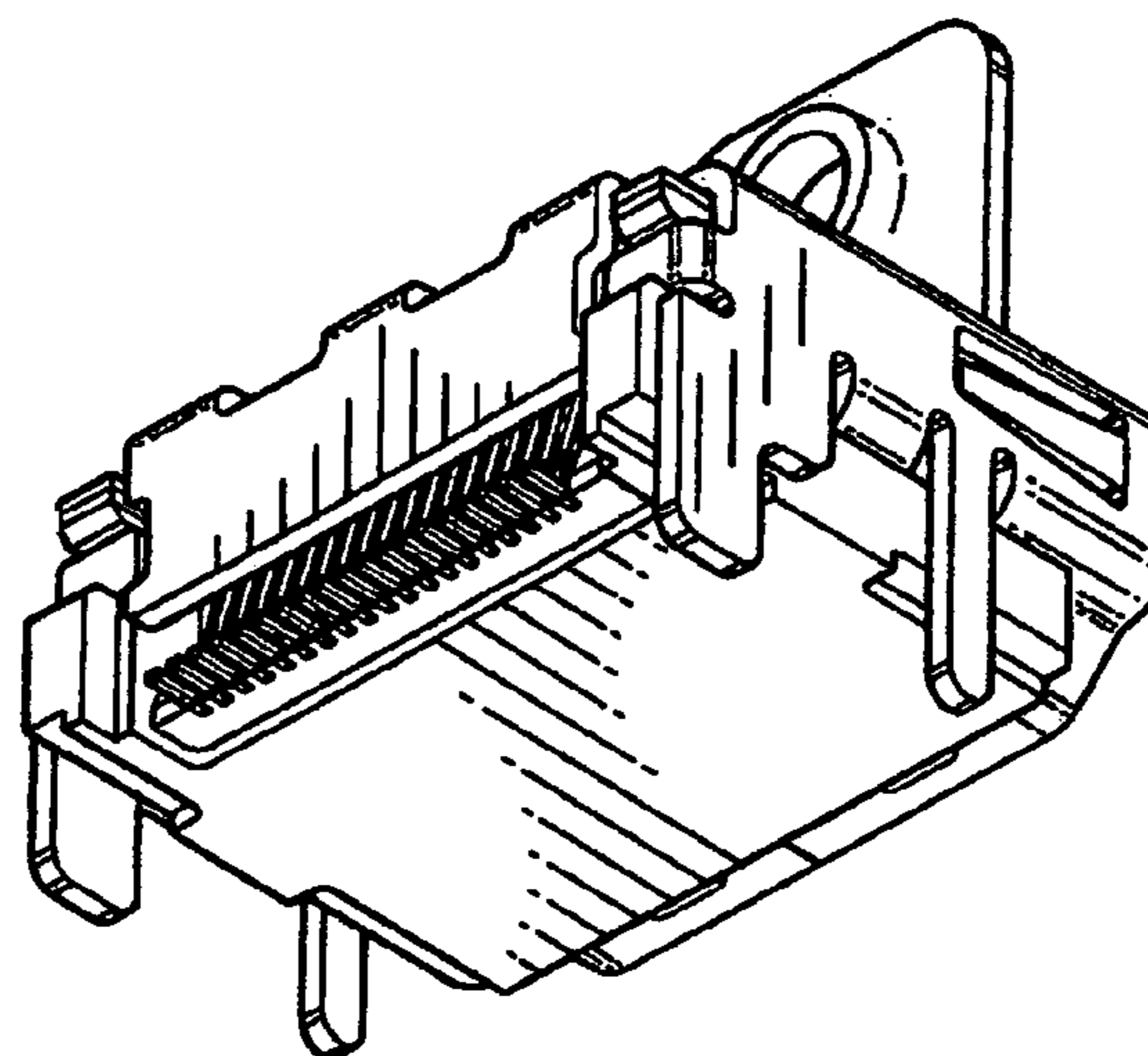
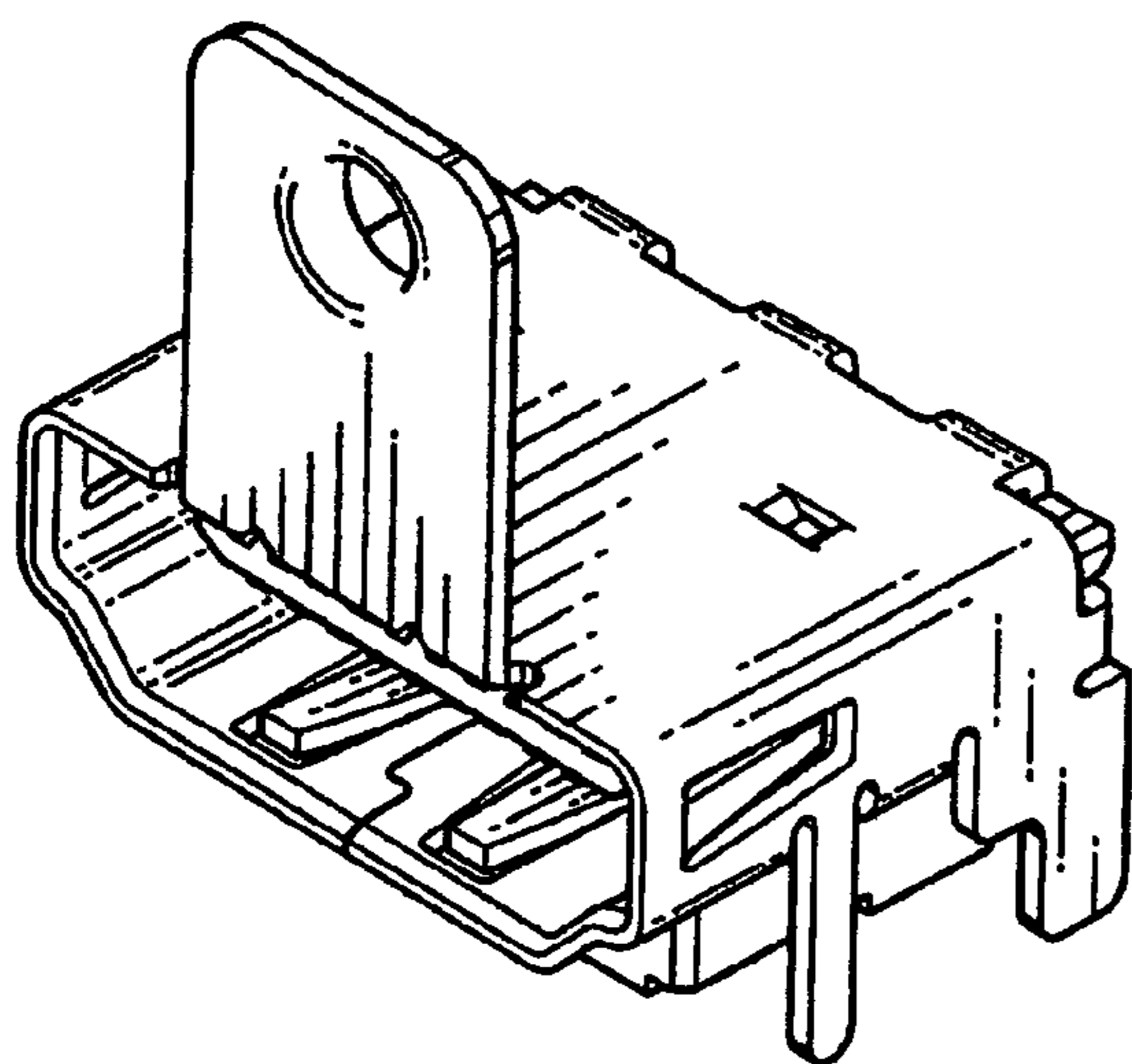
FIG. 5 is a left side elevation view thereof, the right side elevation view being a mirror image thereto;

FIG. 6 is a top plan view thereof;

FIG. 7 is a bottom plan view thereof; and,

FIG. 8 is a cross sectional view thereof taken along the line 8—8 in FIG. 3.

**1 Claim, 4 Drawing Sheets**



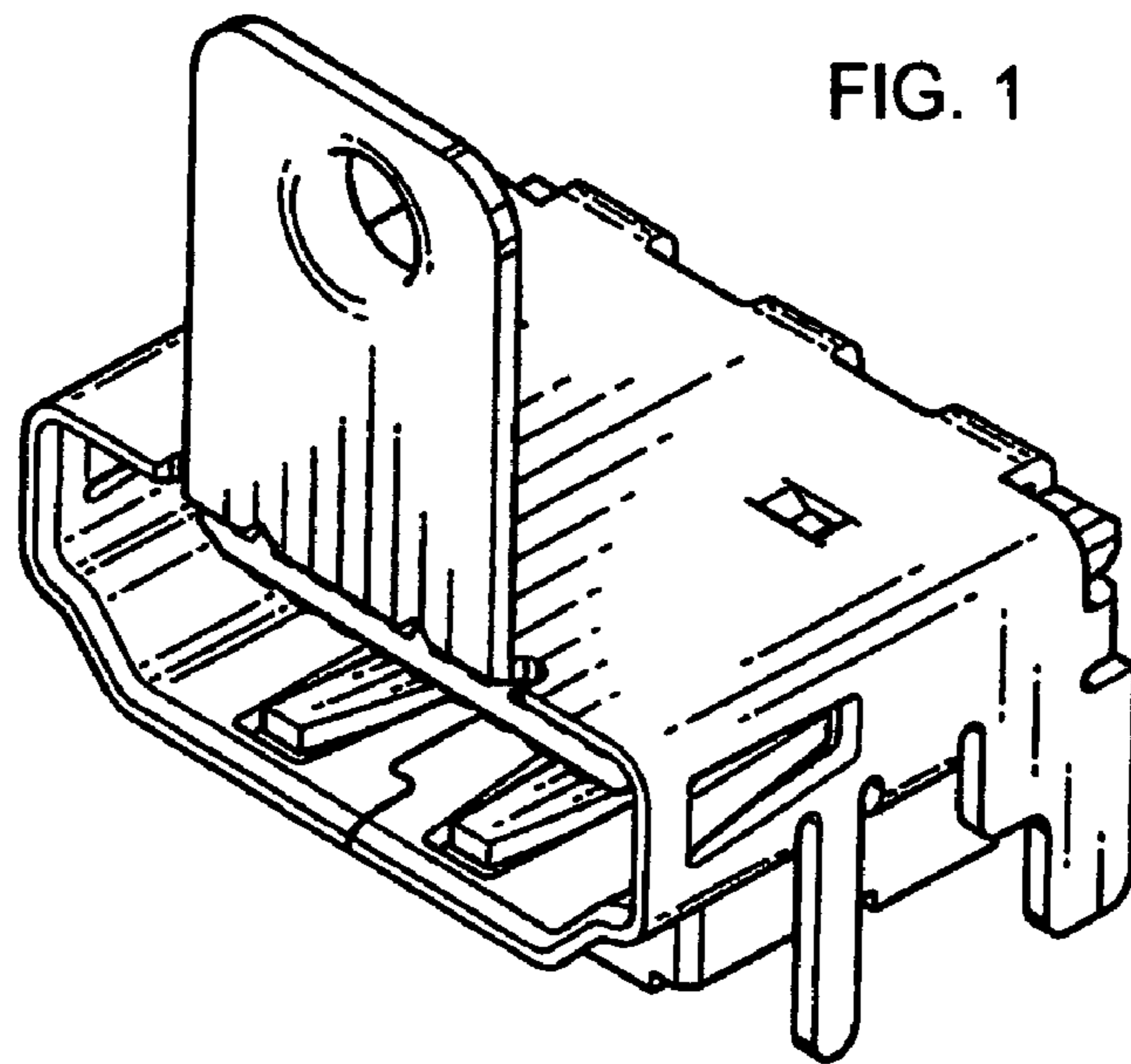


FIG. 2

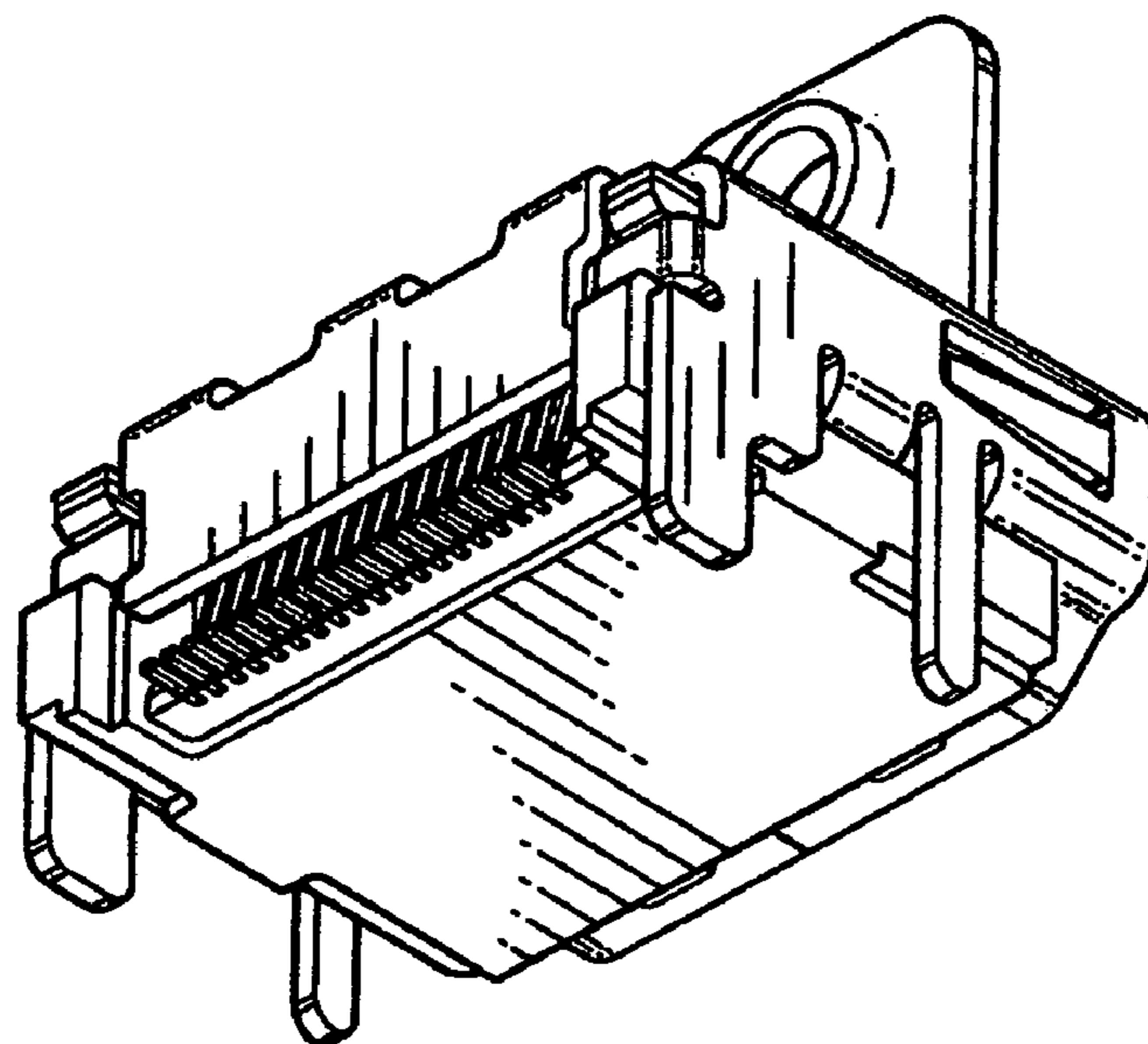


FIG. 3

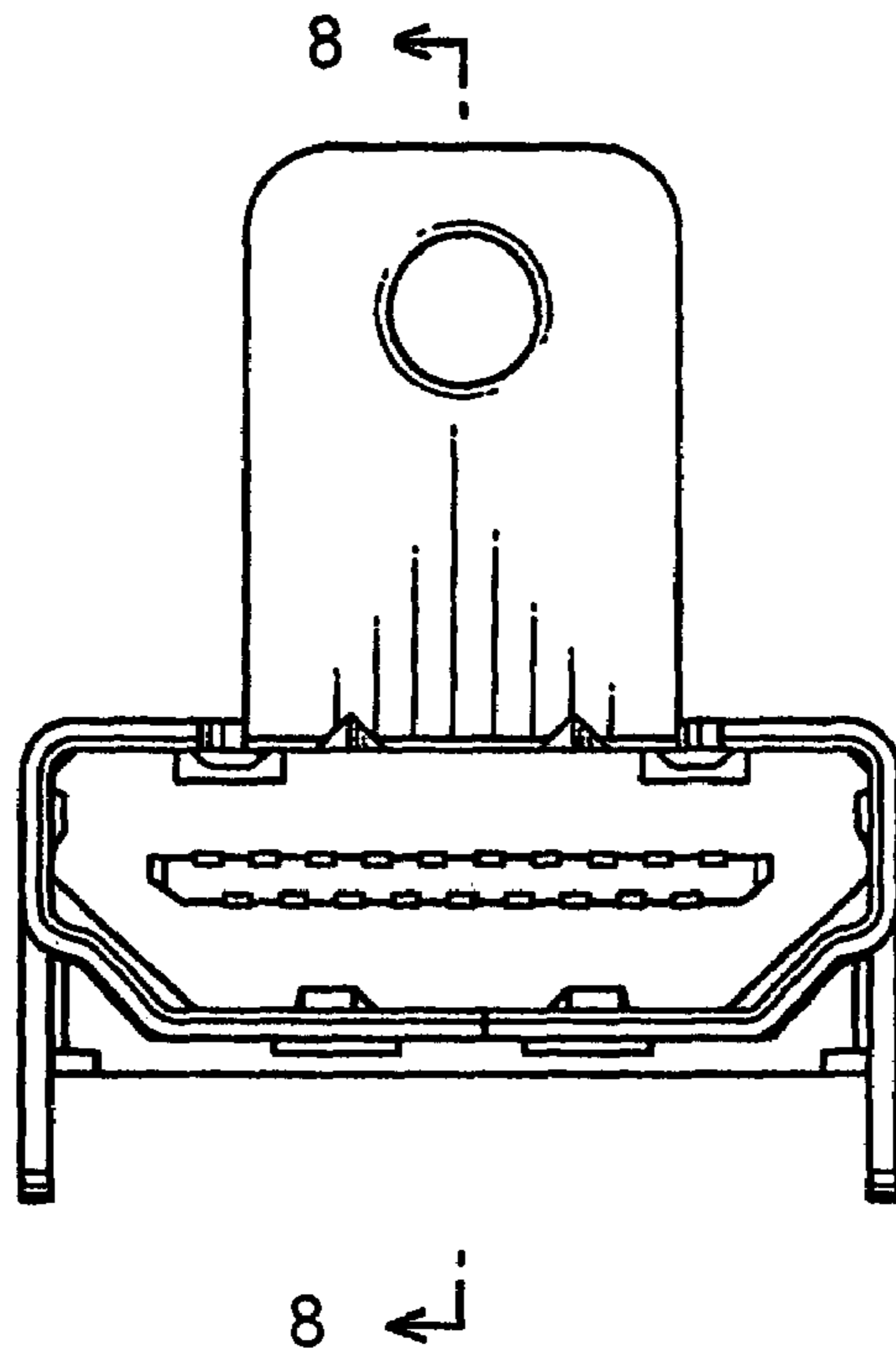


FIG. 4

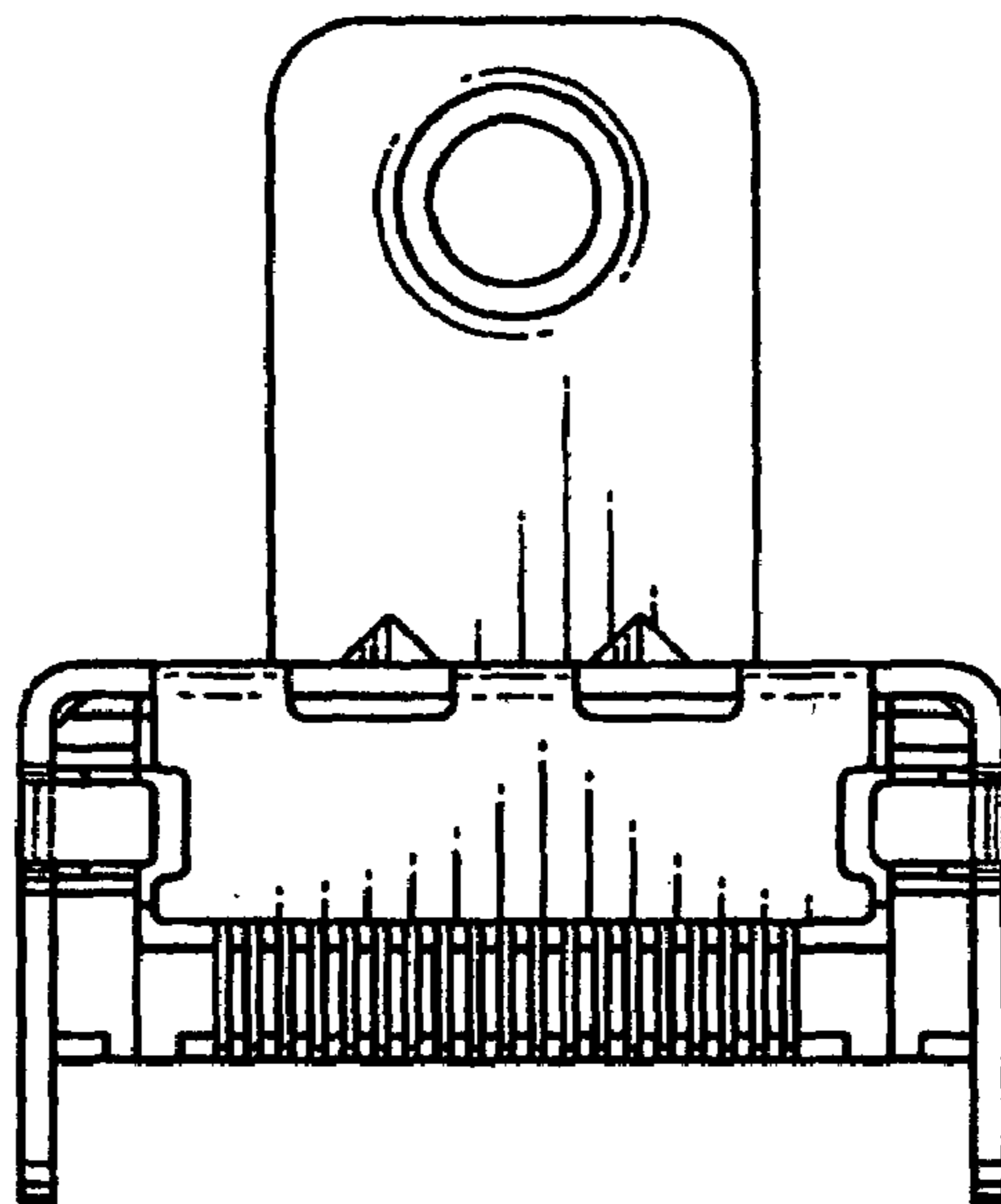


FIG. 5

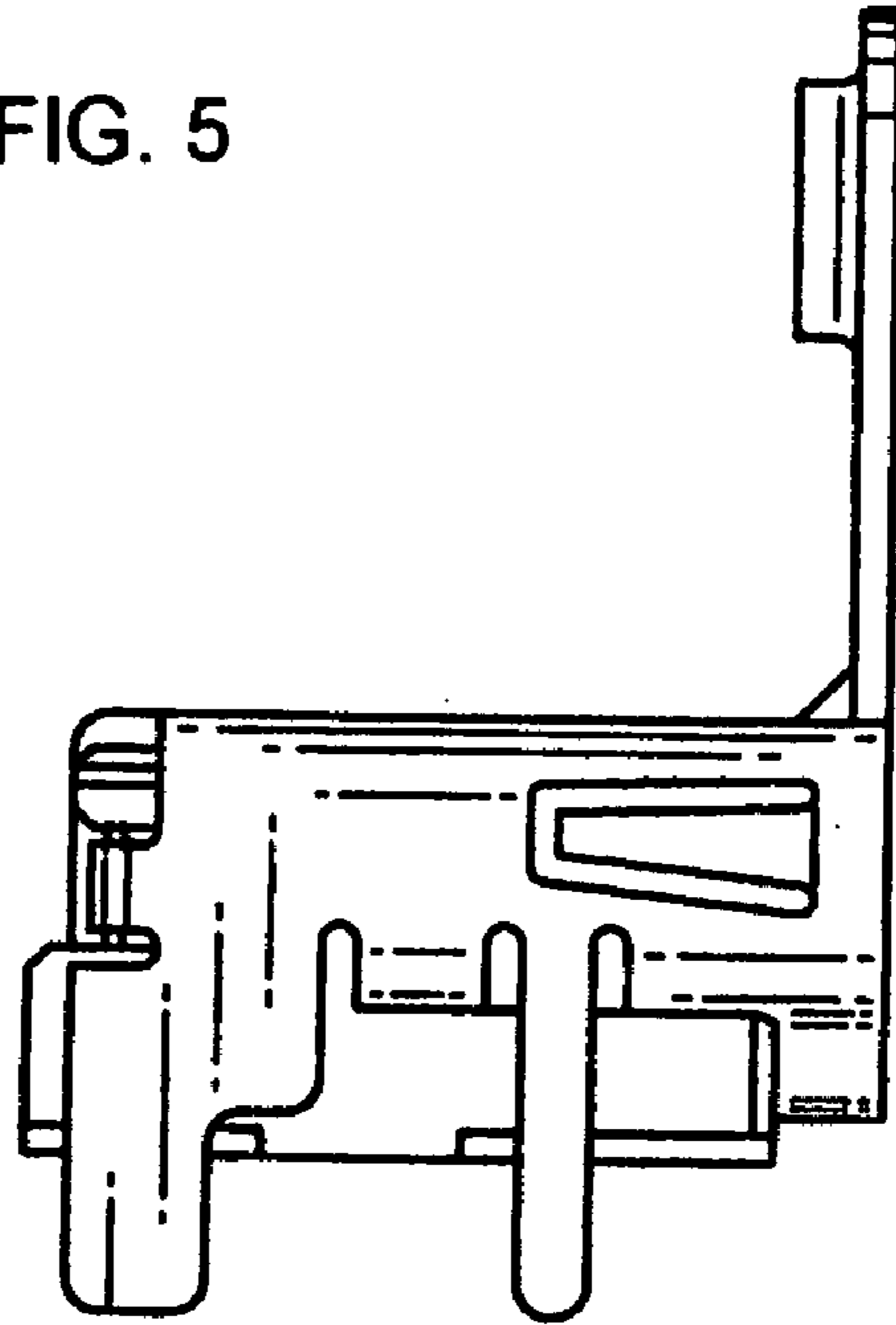


FIG. 6

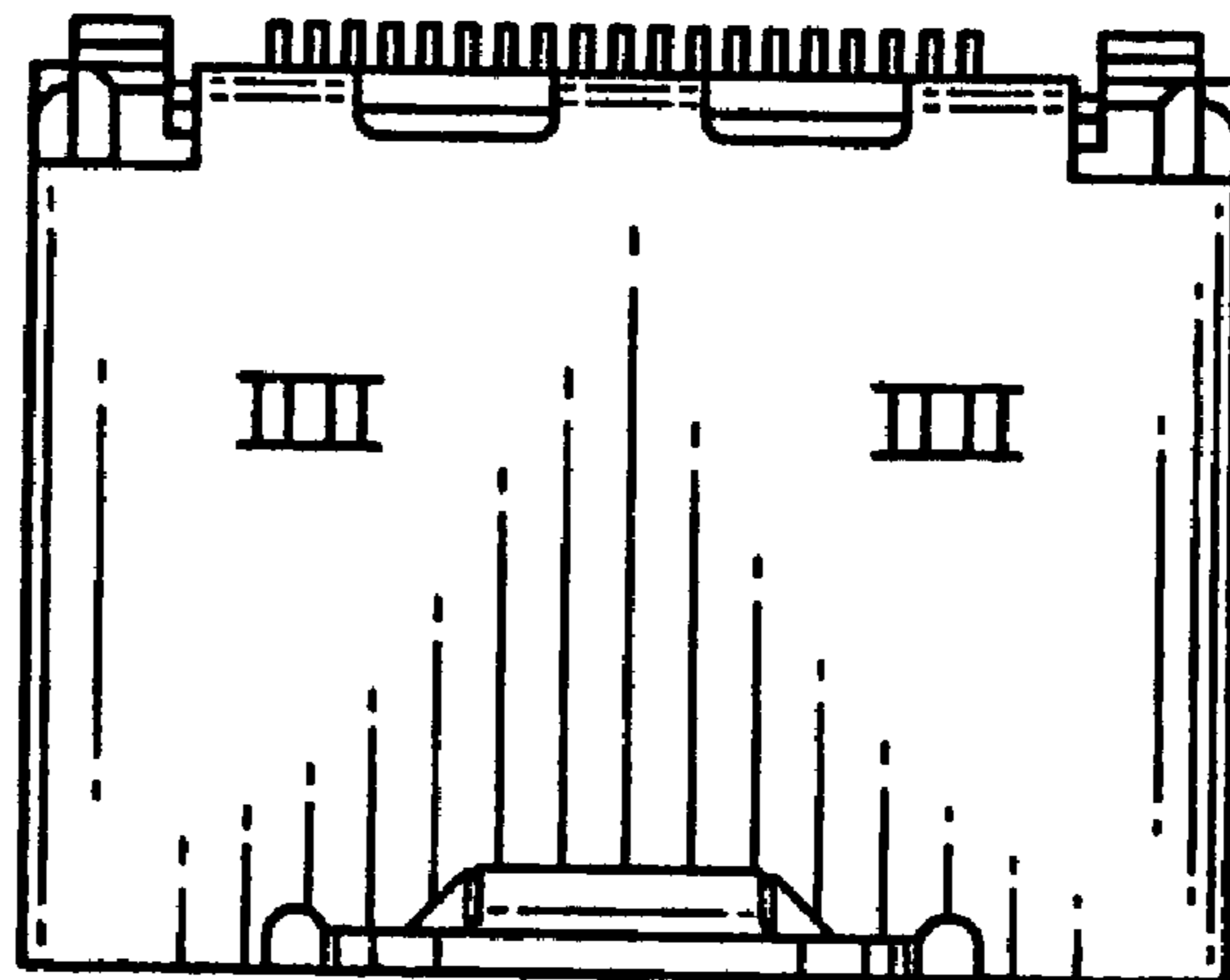


FIG. 7

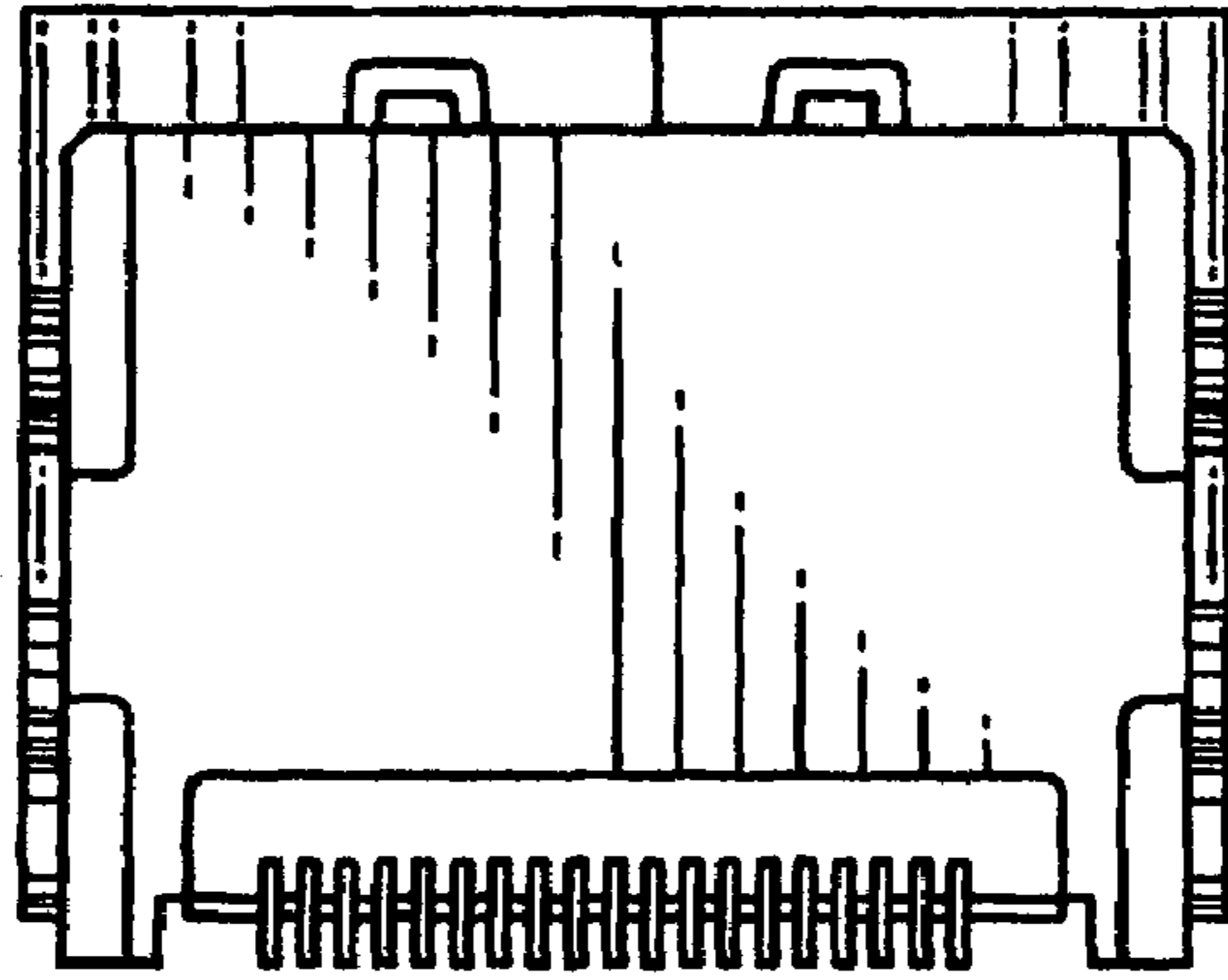


FIG. 8

