

US00D559187S

(12) **United States Design Patent**
Hayashi

(10) **Patent No.:** **US D559,187 S**
(45) **Date of Patent:** **** Jan. 8, 2008**

(54) **CONNECTOR HOUSING**

D544,845 S * 6/2007 Askeland et al. D13/154

(75) Inventor: **Toshiaki Hayashi**, Aichi (JP)

FOREIGN PATENT DOCUMENTS

(73) Assignee: **Tyco Electronics AMP K.K.**,
Kanagawa-Ken (JP)

JP	D1081845	8/2000
JP	D1126690	11/2001
JP	D1154817	9/2002
JP	D1126690	10/2002

(**) Term: **14 Years**

* cited by examiner

(21) Appl. No.: **29/242,132**

Primary Examiner—Daniel Bui

(22) Filed: **Nov. 4, 2005**

(74) *Attorney, Agent, or Firm*—Barley Snyder LLC

(30) **Foreign Application Priority Data**

(57) **CLAIM**

May 6, 2005 (JP) 2005-013122

The ornamental design for a connector housing, as shown and described.

(51) **LOC (8) Cl.** **13-03**

DESCRIPTION

(52) **U.S. Cl.** **D13/147; D13/154**

(58) **Field of Classification Search** D13/133,
D13/147, 154, 184, 199; 439/352, 372, 357-358,
439/495, 572, 594-595, 597-598, 680, 752,
439/540.1

FIG. 1 is a front elevation of a connector housing, showing my new design;

See application file for complete search history.

FIG. 2 is a top plan view thereof;

FIG. 3 is a bottom plan view thereof;

FIG. 4 is a right-side elevation view thereof;

FIG. 5 is a rear elevation thereof;

FIG. 6 is a perspective view from a top, front, and left side thereof;

FIG. 7 is a perspective view from a bottom, front, and left side thereof; and,

FIG. 8 is a perspective view from a top, rear, and right side thereof.

(56) **References Cited**

U.S. PATENT DOCUMENTS

4,734,052 A *	3/1988	Vandame	439/293
D316,704 S *	5/1991	Eto et al.	D13/147
D323,152 S *	1/1992	Nagasaka et al.	D13/147
D332,774 S *	1/1993	Watanabe et al.	D13/147
D519,462 S *	4/2006	Kudo	D13/147
D524,751 S *	7/2006	Lee et al.	D13/147
7,090,543 B2 *	8/2006	Lee et al.	439/752

1 Claim, 8 Drawing Sheets

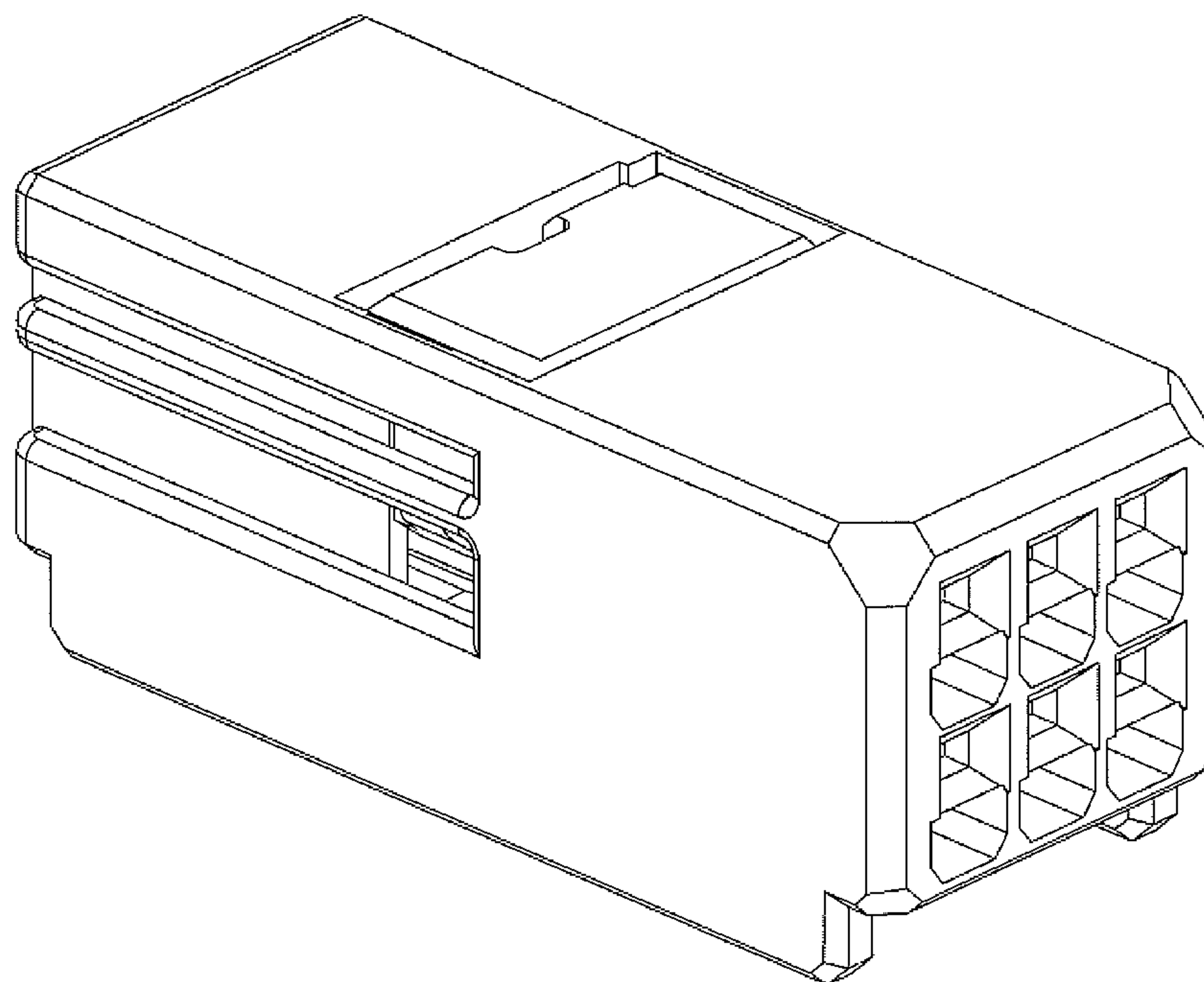


Fig. 1

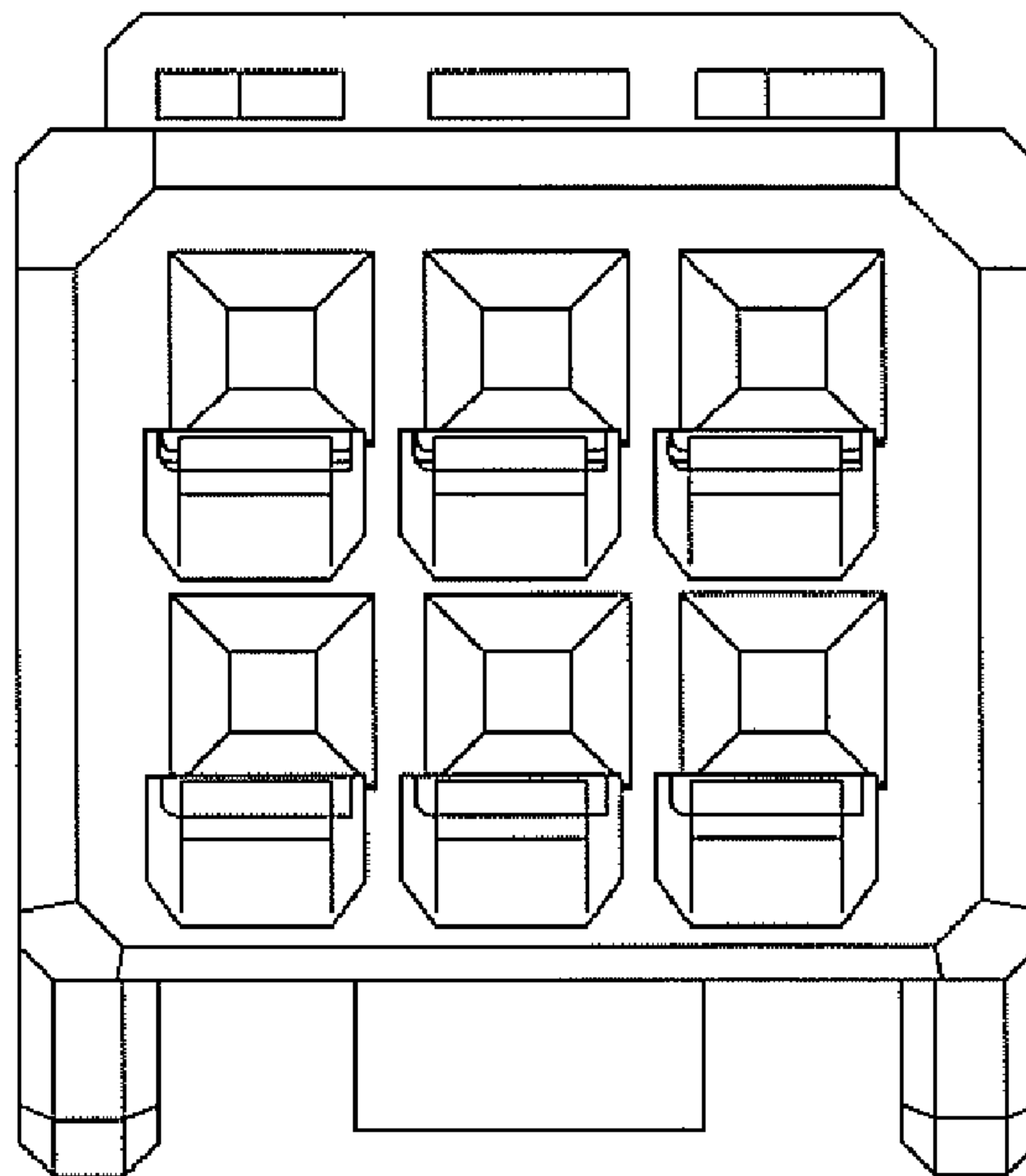


Fig. 2

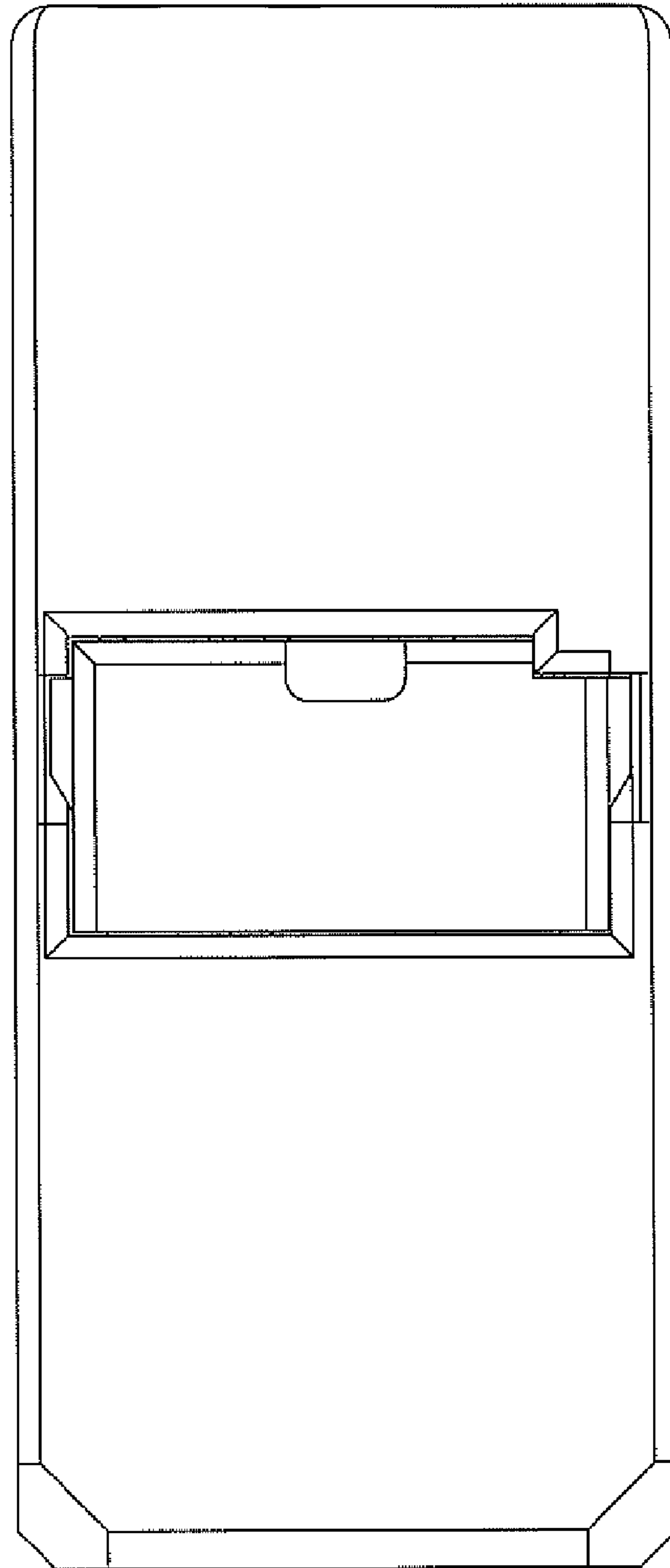


Fig. 3

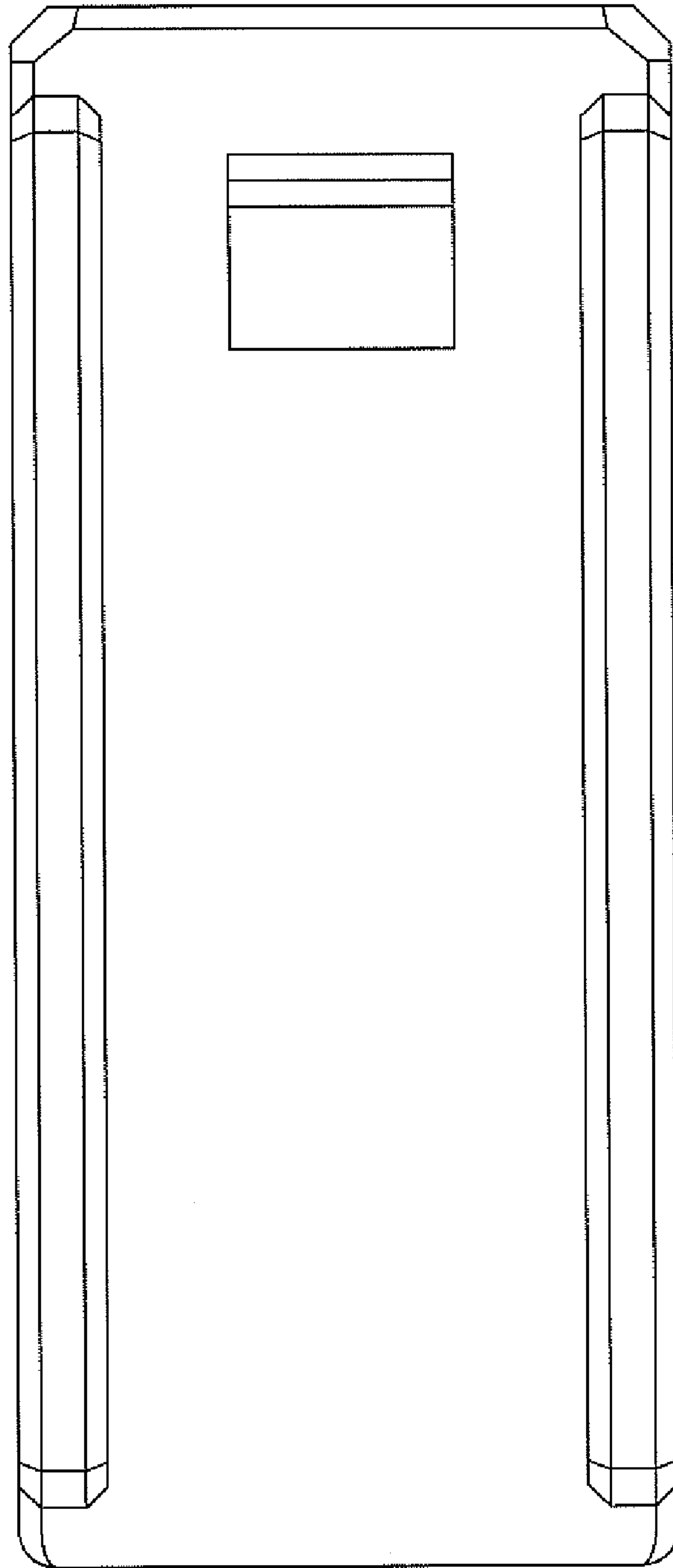


Fig. 4

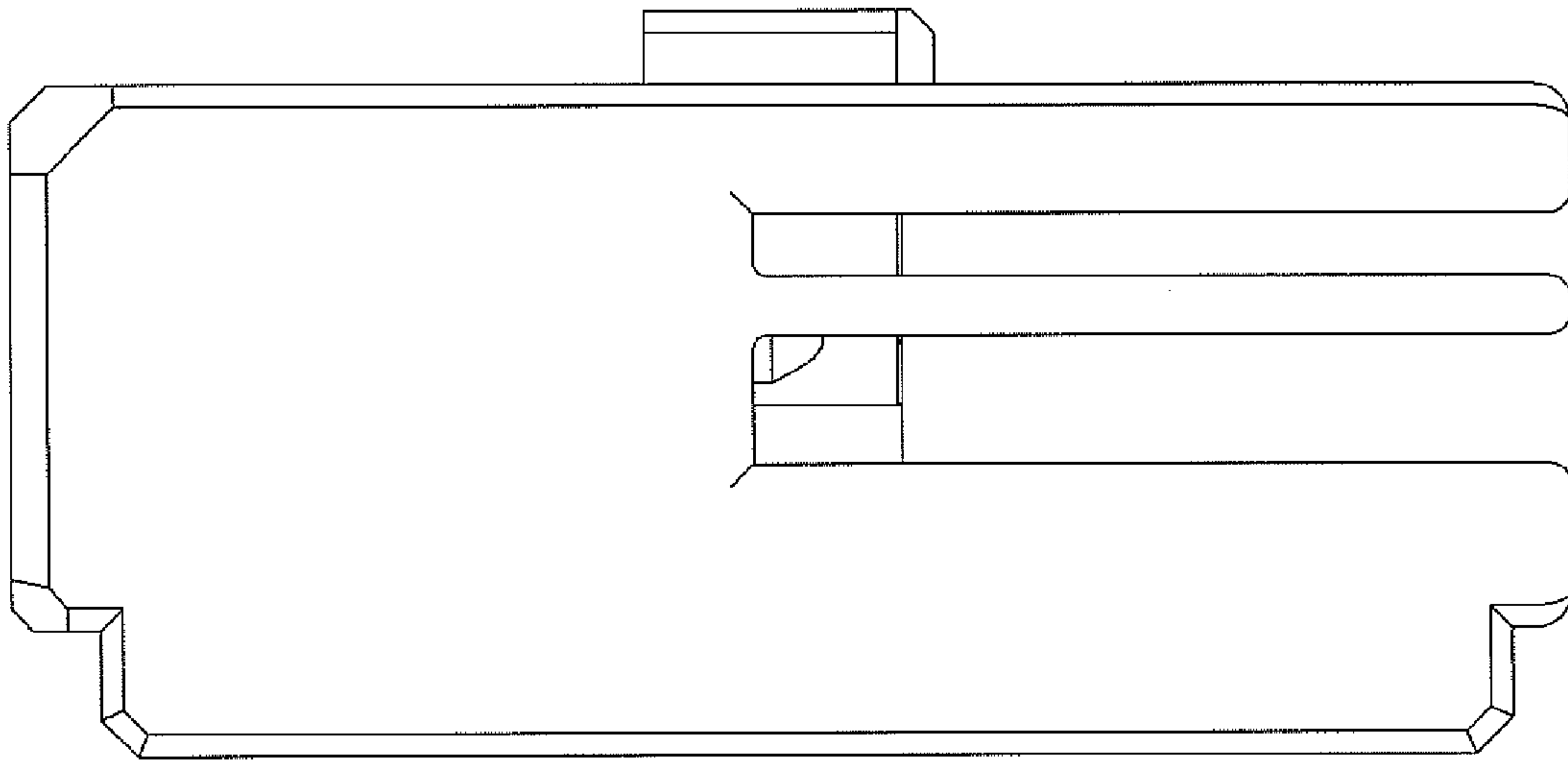


Fig. 5

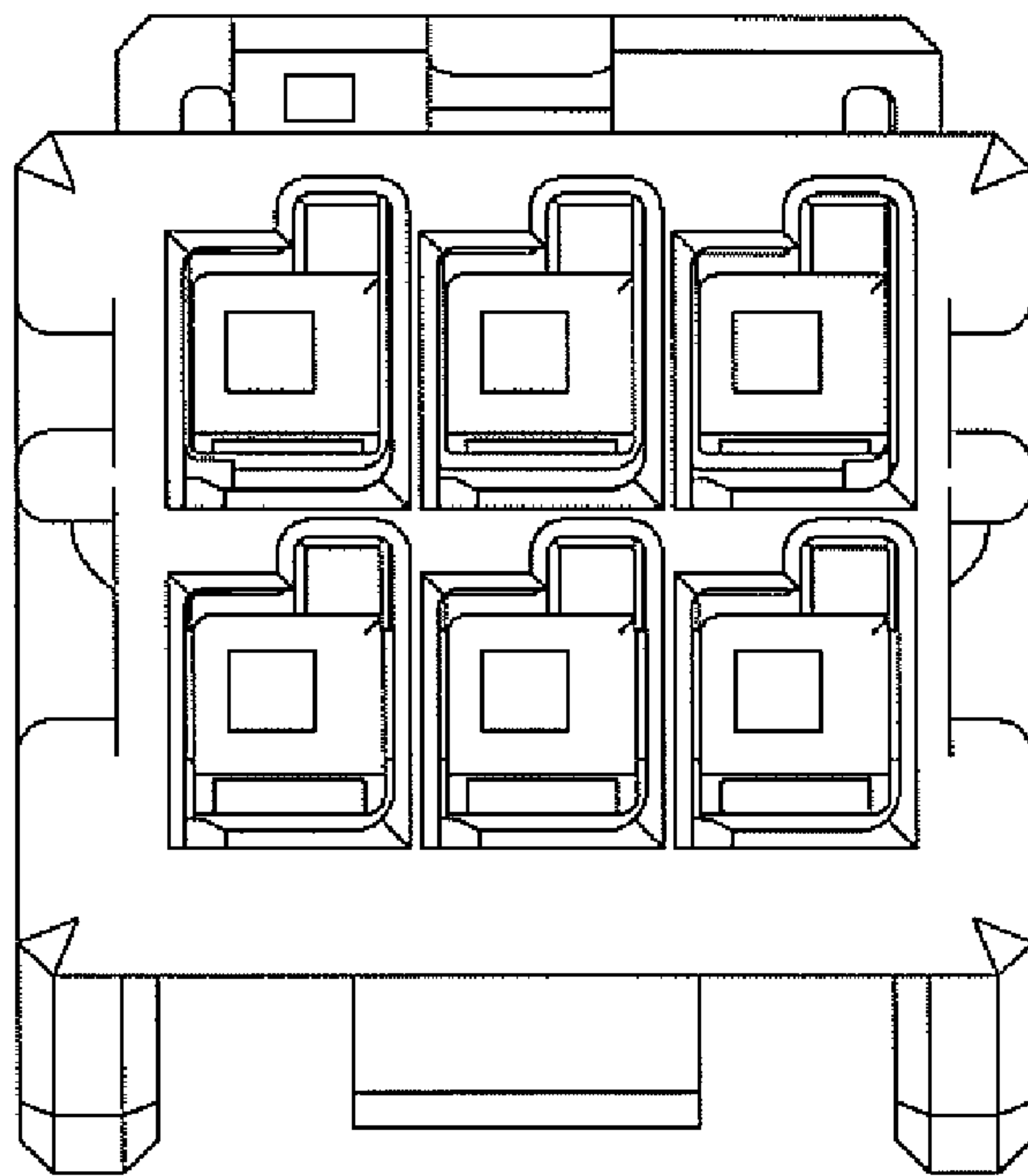


Fig. 6

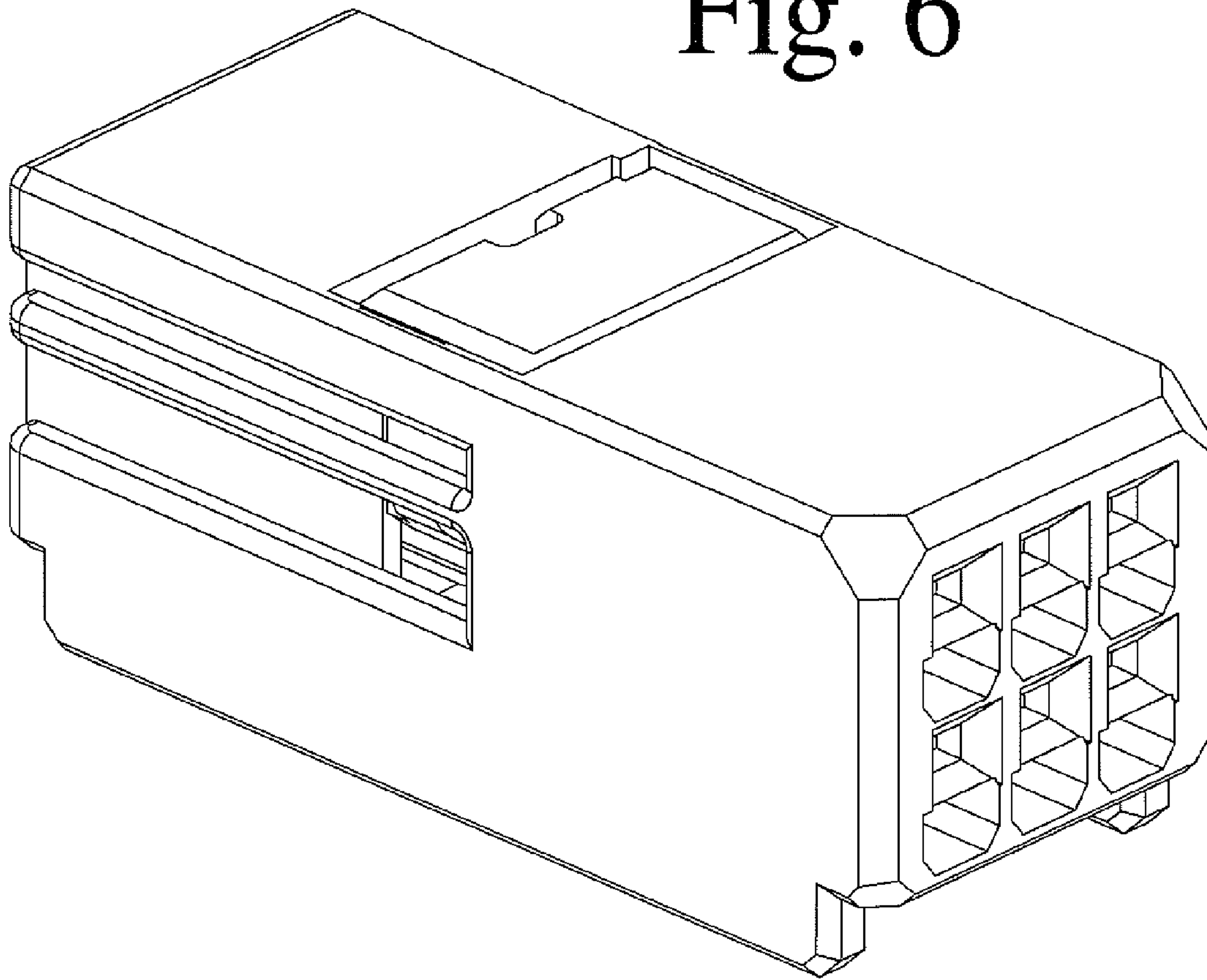


Fig. 7

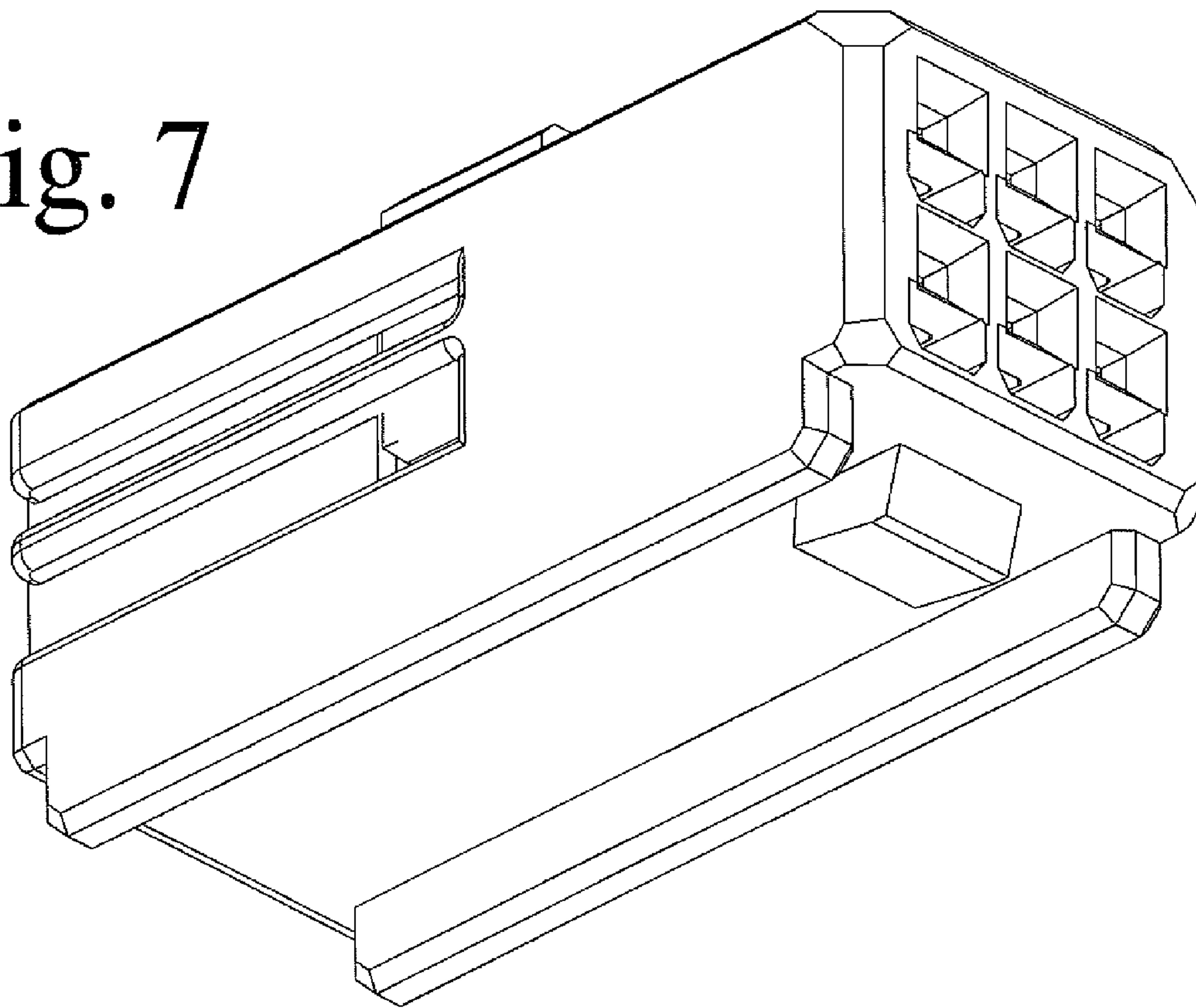


Fig. 8

