



US00D559186S

(12) **United States Design Patent**
Kelmer

(10) **Patent No.:** **US D559,186 S**
(45) **Date of Patent:** **** Jan. 8, 2008**

(54) **HIGH-DENSITY PATCH PANEL**

(75) Inventor: **Ilan Kelmer**, Rehovot (IL)

(73) Assignee: **RIT Technologies Ltd.**, Tel-Aviv (IL)

(**) Term: **14 Years**

(21) Appl. No.: **29/213,525**

(22) Filed: **Sep. 20, 2004**

(51) **LOC (8) Cl.** **13-03**

(52) **U.S. Cl.** **D13/147**

(58) **Field of Classification Search** D13/133,
D13/147, 154, 184, 199; D14/240, 256,
D14/299; 439/344, 379, 535-536, 538, 571,
439/540.1, 541.5, 57, 638, 650, 676
See application file for complete search history.

(56) **References Cited**

U.S. PATENT DOCUMENTS

D317,297 S *	6/1991	Reed	D13/147
D317,750 S *	6/1991	Bellomo et al.	D13/147
D510,068 S *	9/2005	Haggay et al.	D13/147
6,974,348 B2 *	12/2005	Bentley	439/540.1
7,112,090 B2 *	9/2006	Caveney et al.	439/540.1
2004/0038594 A1 *	2/2004	Clark et al.	439/676
2004/0209515 A1 *	10/2004	Caveney et al.	439/540.1
2004/0229501 A1 *	11/2004	Caveney et al.	439/540.1
2007/0015402 A1 *	1/2007	Lee	439/541.5
2007/0149045 A1 *	6/2007	Caveney et al.	439/540.1

* cited by examiner

Primary Examiner—Daniel Bui

(74) *Attorney, Agent, or Firm*—Pearl Cohen Zedek Latzer, LLP

(57) **CLAIM**

The ornamental design for a high-density patch panel, as shown and described.

DESCRIPTION

FIG. 1 is a top, front and left side perspective view of a high-density patch panel, showing my new design;

FIG. 2 is an enlarged portion of the top, front and left side perspective view thereof;

FIG. 3 is a top, rear and right side perspective view thereof;

FIG. 4 is an enlarged portion of the top, rear and right side perspective view thereof;

FIG. 5 is a front elevation view thereof;

FIG. 6 is a rear elevation view thereof;

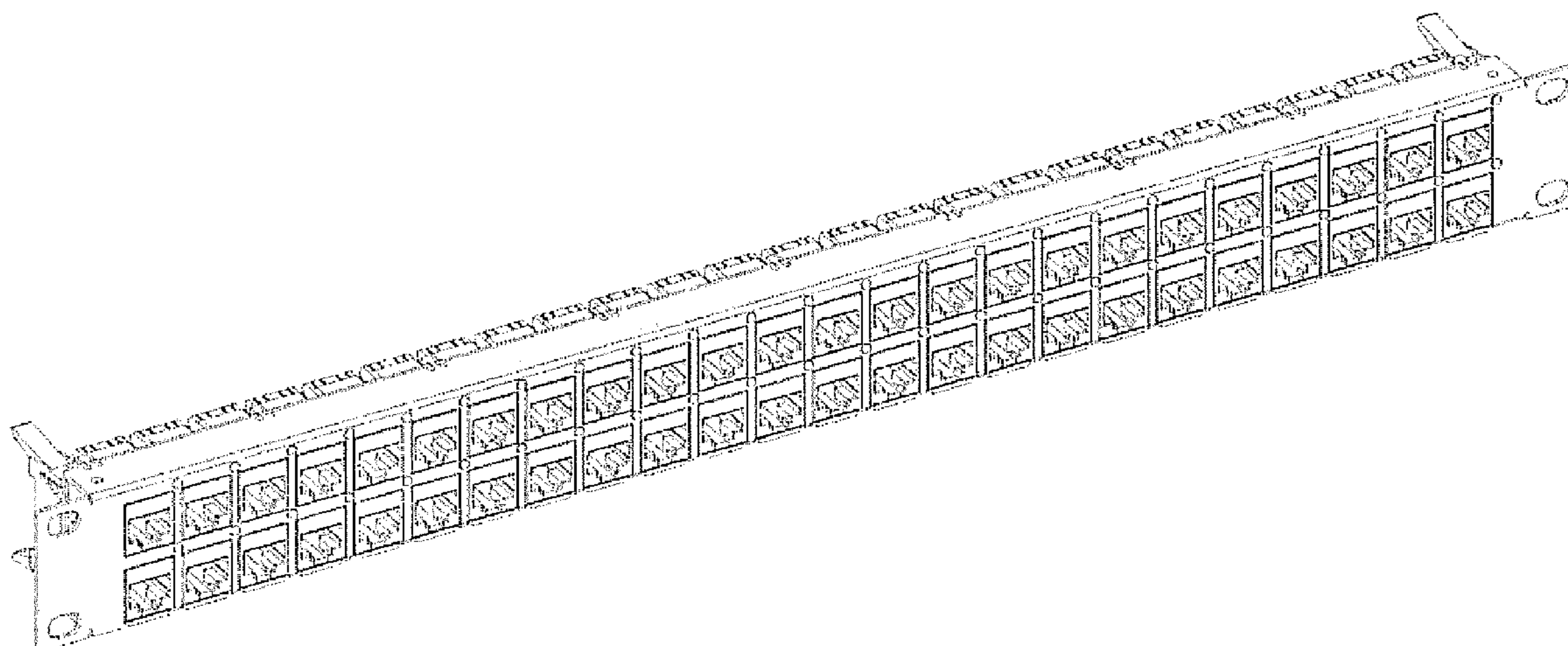
FIG. 7 is an enlarged portion of the rear elevation view thereof;

FIG. 8 is an enlarged side elevation view thereof;

FIG. 9 is a top plan view thereof; and,

FIG. 10 is a bottom plan view thereof.

1 Claim, 10 Drawing Sheets



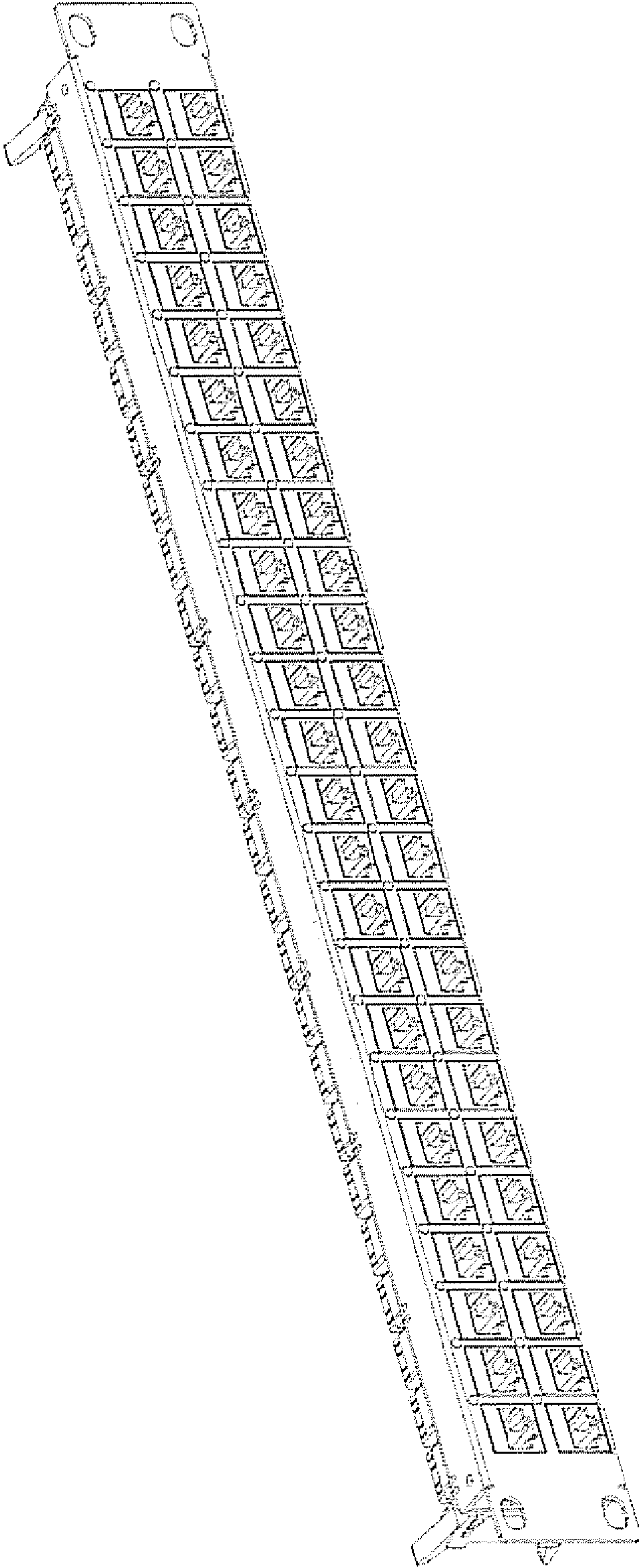


FIG. 1

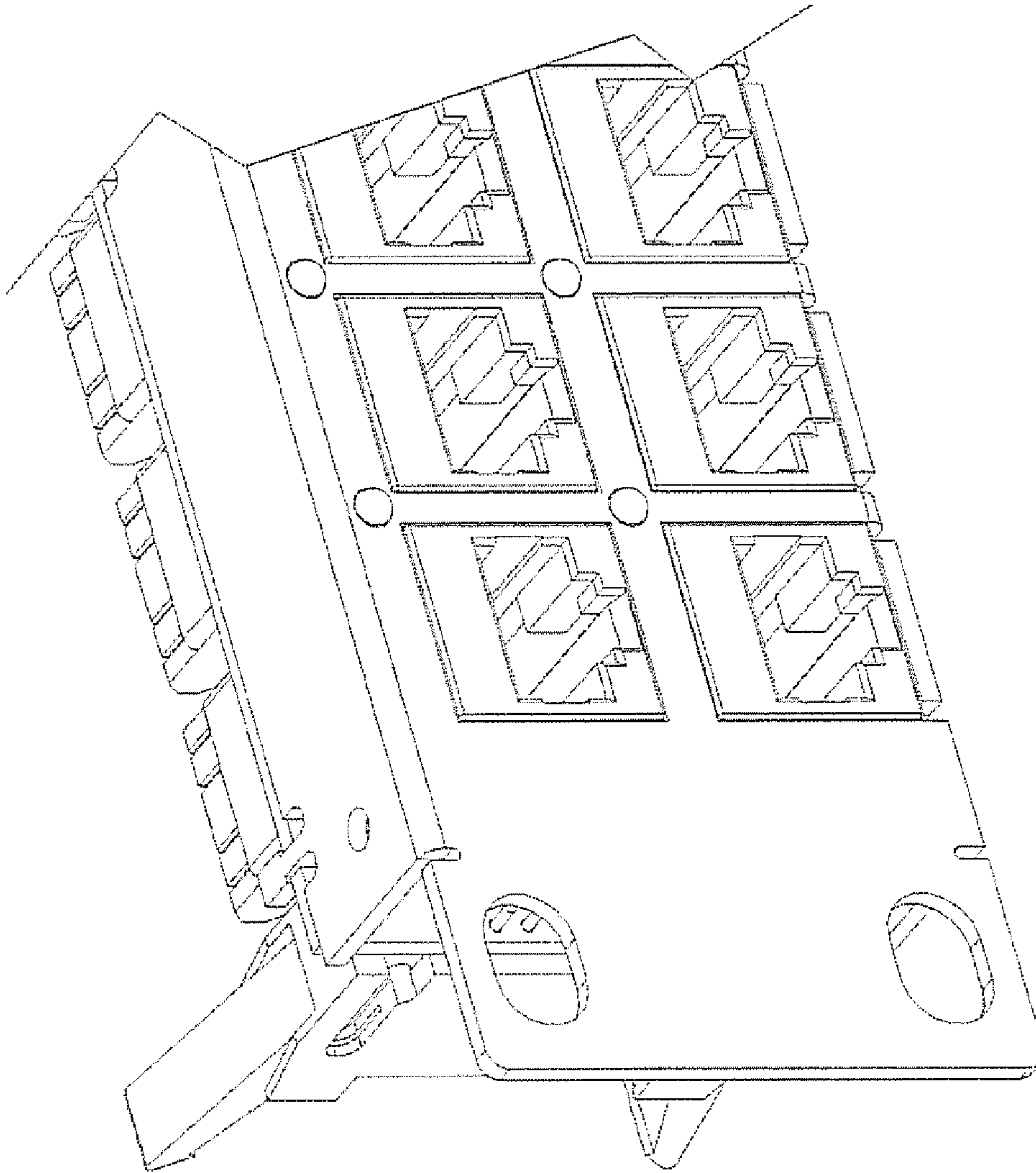


FIG. 2

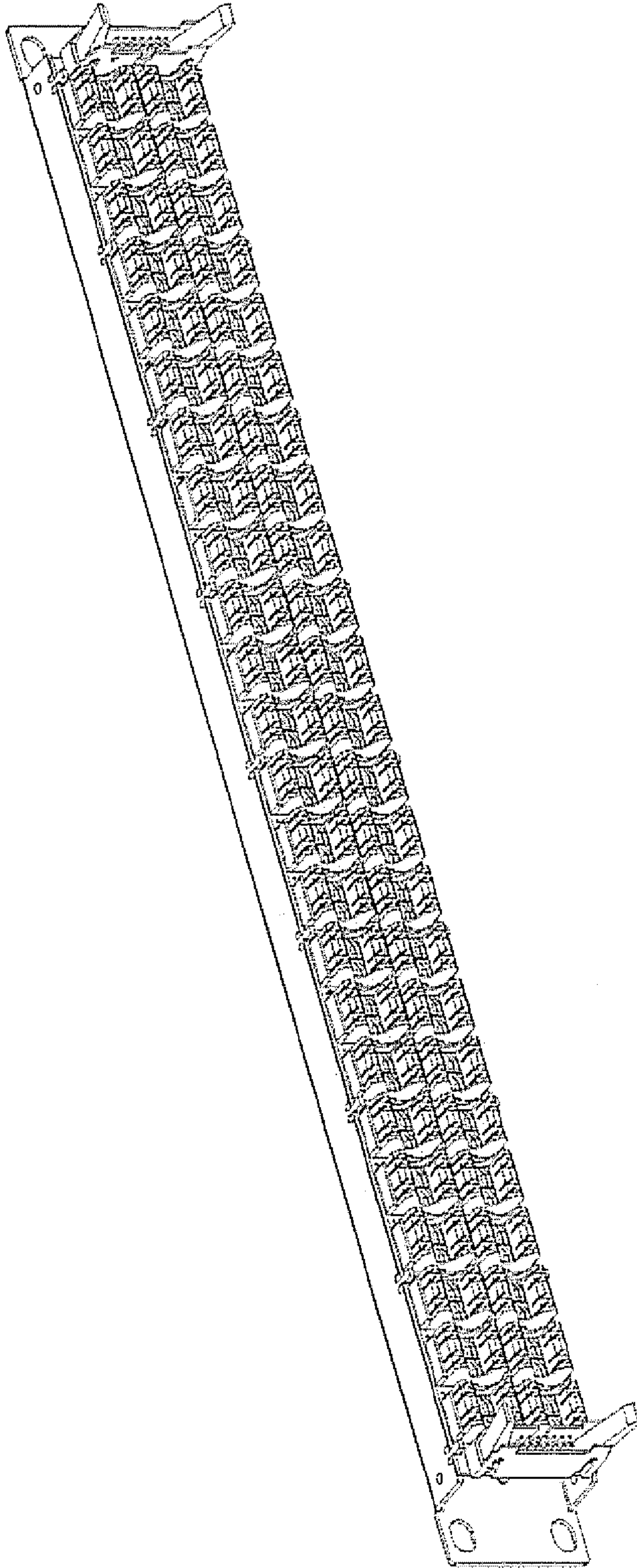


FIG. 3

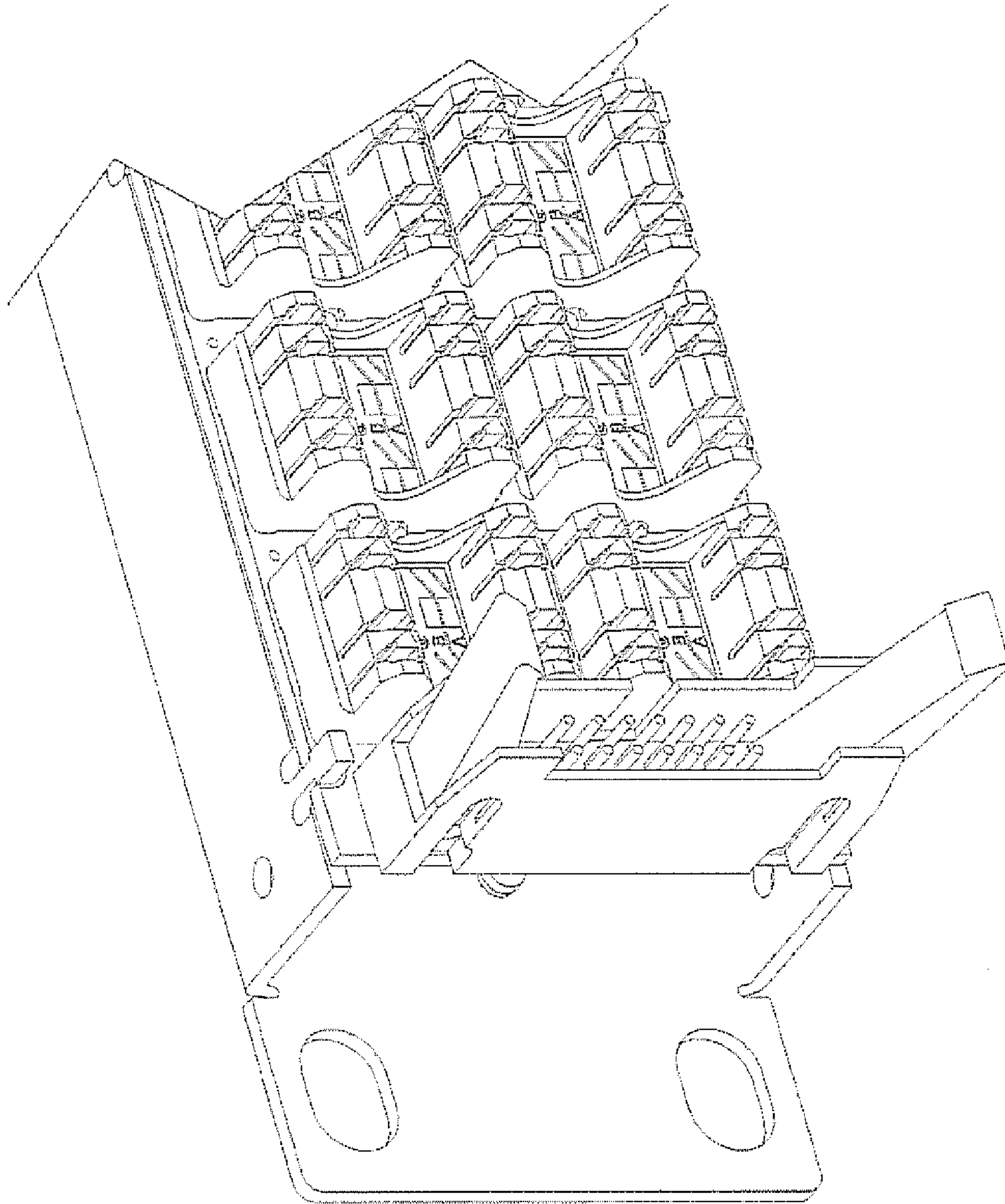


FIG. 4

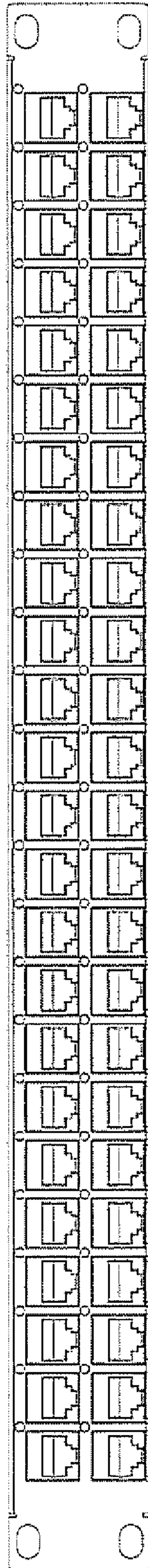


FIG. 5

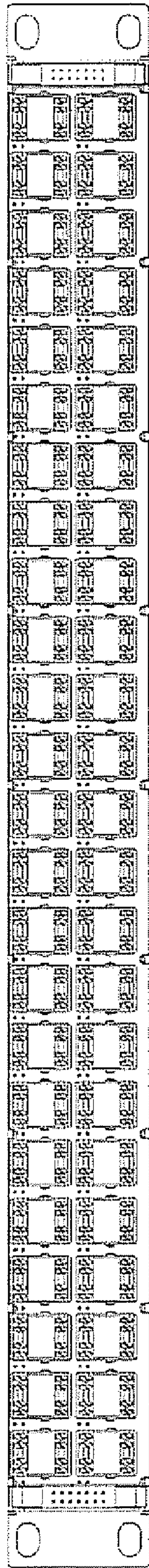


FIG. 6

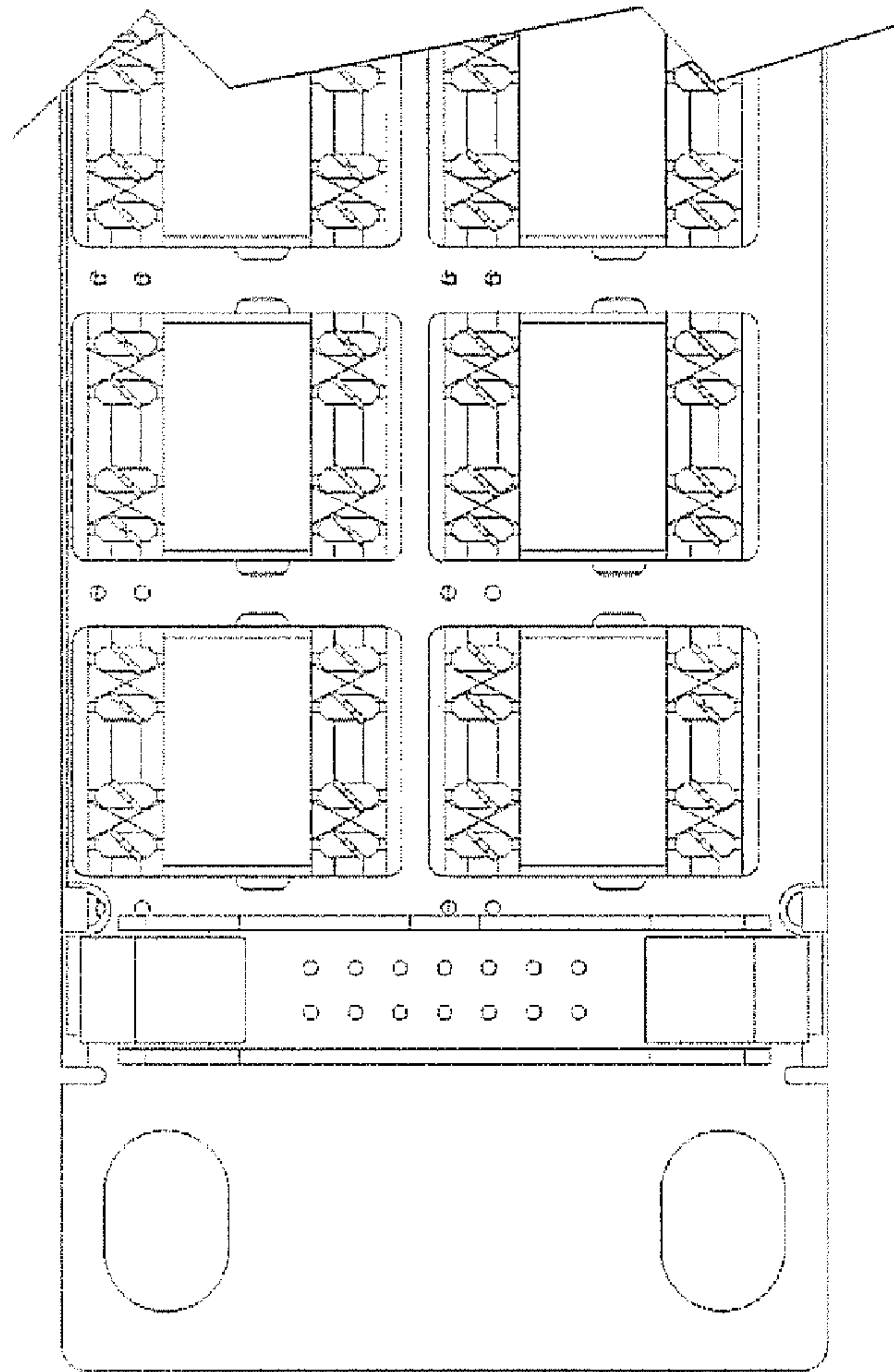


FIG. 7

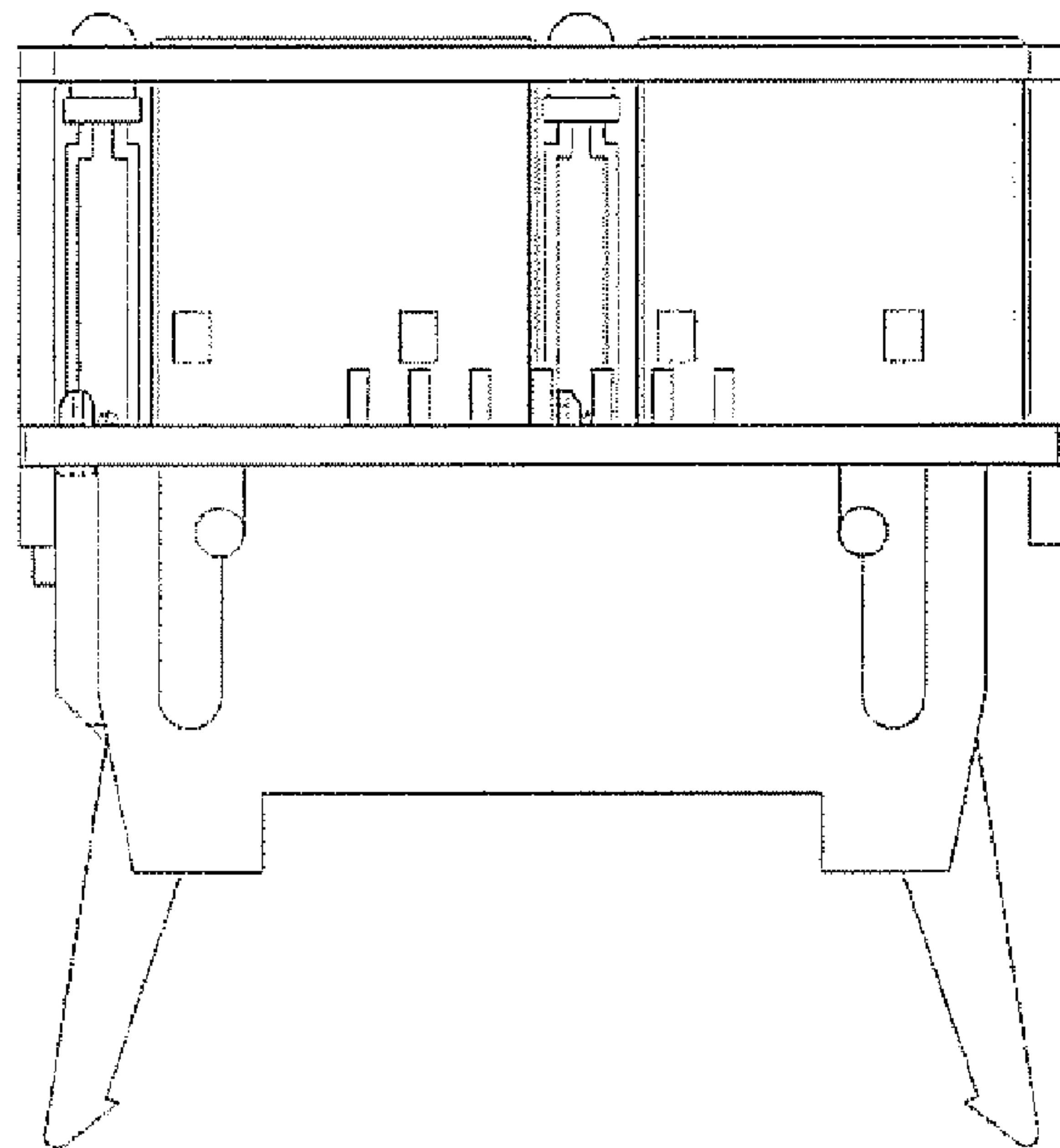


FIG. 8

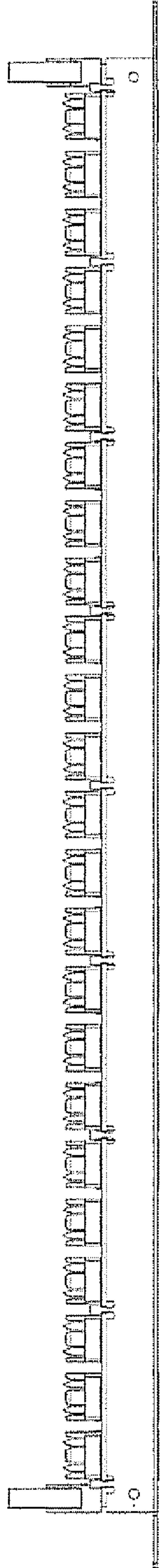


FIG. 9

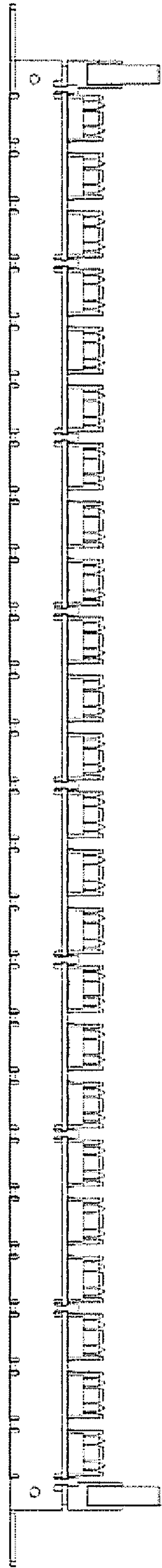


FIG. 10