



US00D559184S

(12) **United States Design Patent**
Russell et al.

(10) **Patent No.:** **US D559,184 S**
(45) **Date of Patent:** **** Jan. 8, 2008**

(54) **90 DEGREE ELECTRICAL ADAPTER WITH INDICATOR LIGHT**

(75) Inventors: **Jeffrey R. Russell**, Winston Salem, NC (US); **Ronald S. Boose**, Yadkinville, NC (US)

(73) Assignee: **Camco Manufacturing, Inc.**, Greensboro, NC (US)

(**) Term: **14 Years**

(21) Appl. No.: **29/273,241**

(22) Filed: **Mar. 1, 2007**

(51) **LOC (8) Cl.** **13-03**

(52) **U.S. Cl.** **D13/137.1**

(58) **Field of Classification Search** D13/107, D13/108, 110, 133, 137.1-137.3, 139.1, 139.3, D13/184; D14/433; 174/53-58, 66; 439/105-107, 439/535, 650-655, 692
See application file for complete search history.

(56) **References Cited**

U.S. PATENT DOCUMENTS

D80,102 S	12/1929	Muldoon	
D86,613 S	3/1932	Lauter	
2,267,816 A	12/1941	Chirelstein	
2,443,367 A	6/1948	Aguilar et al.	
2,500,987 A	3/1950	Harpster	
D164,338 S	8/1951	Tyler	
3,034,084 A	5/1962	Schmier et al.	
3,484,735 A	12/1969	Fanelli	
D223,001 S	2/1972	Bonanno	
4,085,996 A *	4/1978	Koslo	439/105
D251,293 S	3/1979	Trueblood	
4,293,172 A *	10/1981	Lingaraju	439/105
D376,129 S *	12/1996	Muller et al.	D13/137.1
D384,328 S *	9/1997	Muller et al.	D13/137.2

D436,345 S	1/2001	Lentine	
D450,036 S	11/2001	Okamoto	
D462,056 S *	8/2002	Chung	D13/137.1
D533,836 S	12/2006	Young	
D540,257 S *	4/2007	Ivanova et al.	D13/137.2
D549,650 S *	8/2007	Russell et al.	D13/137.2
2004/0253876 A1 *	12/2004	Kim	439/651

OTHER PUBLICATIONS

Ref. No. 1, Coleman Cable 15A-M to 30A-F Right Angle Adapter P/N09524, RVParts website (www.rvparts.com) Feb. 23, 2007.
Ref. No. 2, Arcon 15A-M to 30A-f 90 deg Adapter, Online Cat. #14082, Pg#93, RV On-Line Catalog (www.go-rv.com), Onan Indiana Dealer.

* cited by examiner

Primary Examiner—Cathron Brooks
Assistant Examiner—Rosemary K Tarca

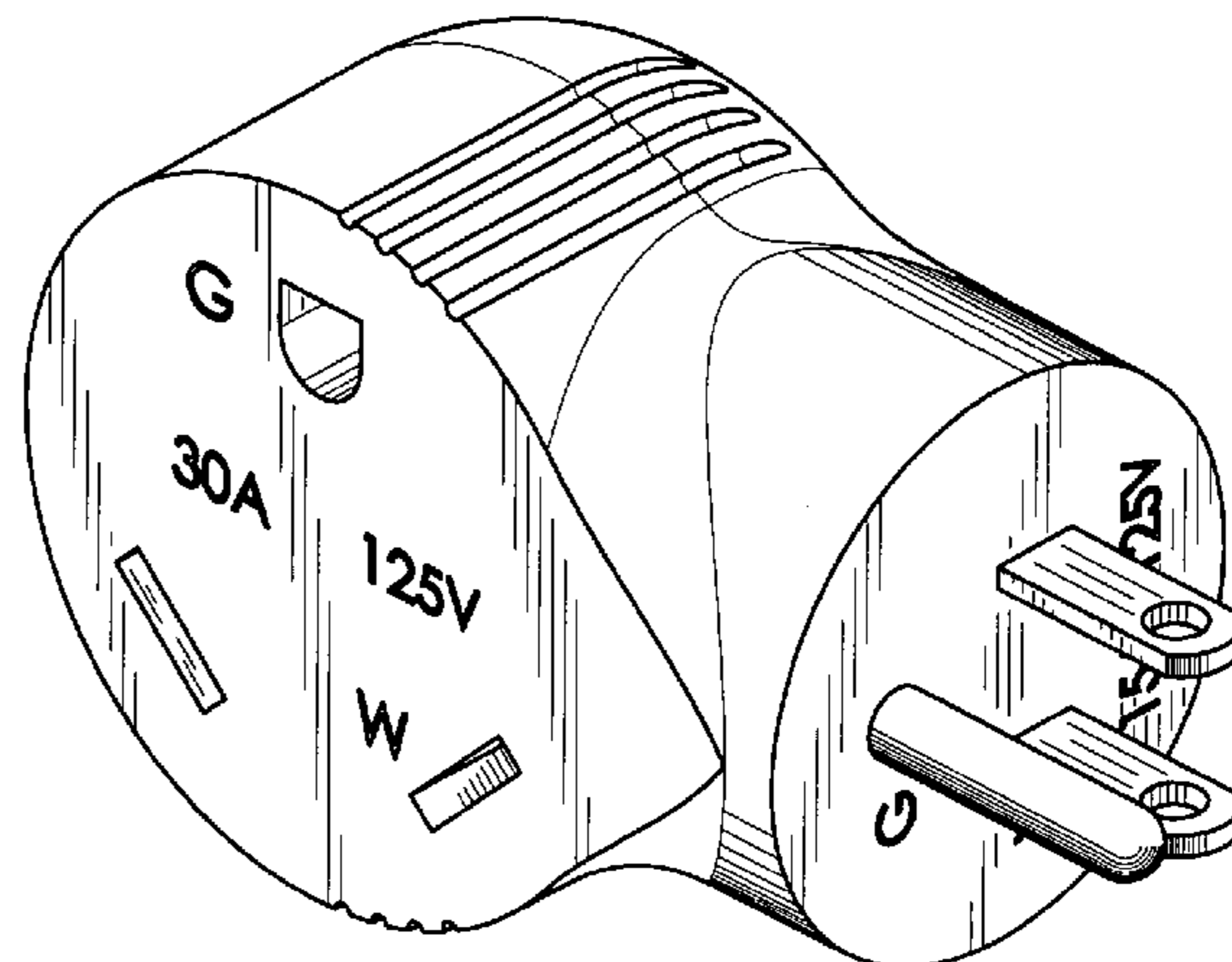
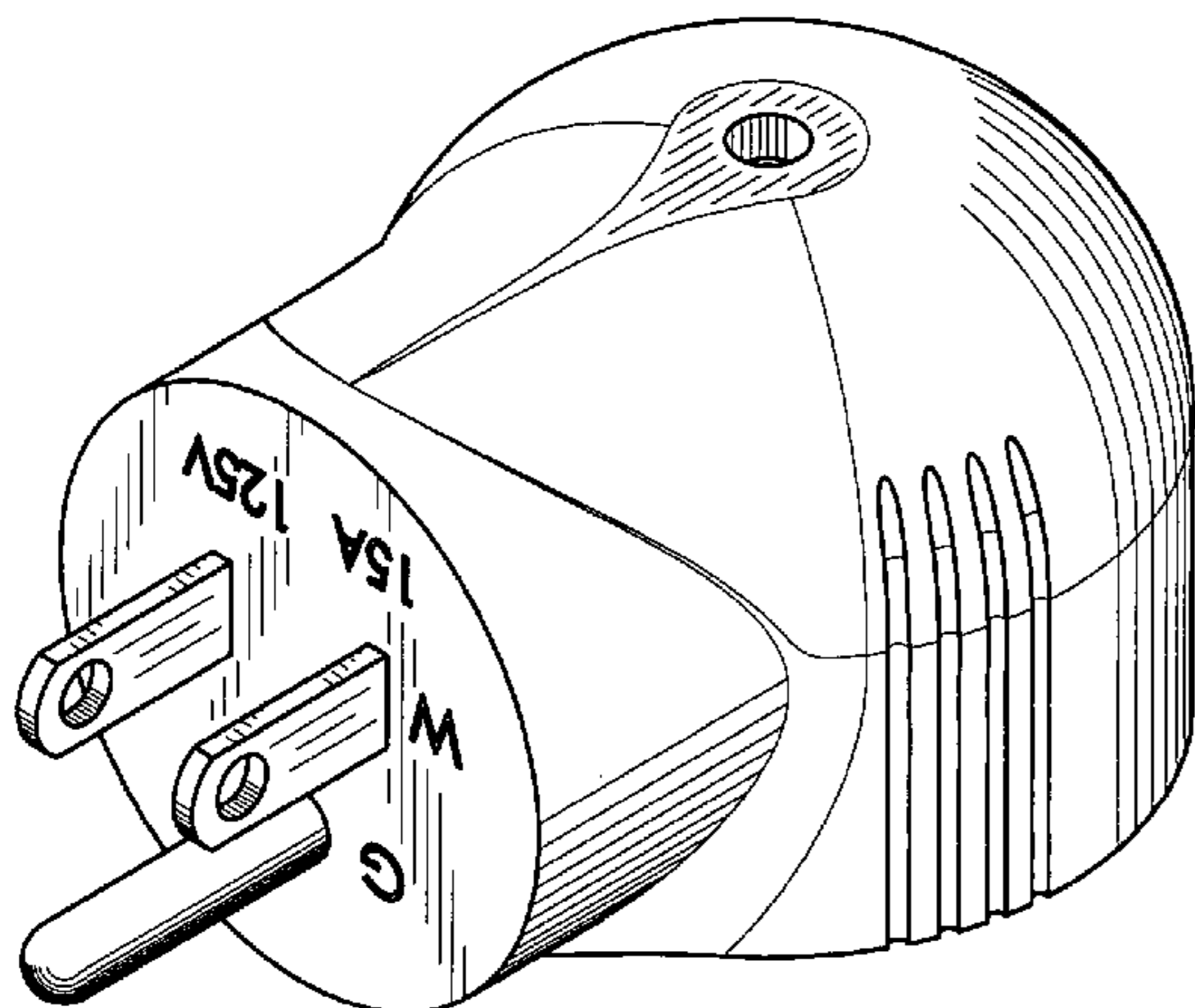
(57) **CLAIM**

The ornamental design for a 90 degree electrical adapter with indicator light, as shown and described.

DESCRIPTION

FIG. 1 is a top, front right perspective view of a 90 degree electrical adapter with indicator light embodying our design; FIG. 2 is a left, bottom front perspective view of the same 90 degree electrical adapter with indicator light as in FIG. 1 embodying our design; FIG. 3 is a front side elevational view thereof; FIG. 4 is a back side elevational view thereof; FIG. 5 is right side elevational view thereof, the left side being a mirror image; FIG. 6 is a top plan view thereof; and, FIG. 7 is a bottom plan view thereof.

1 Claim, 3 Drawing Sheets



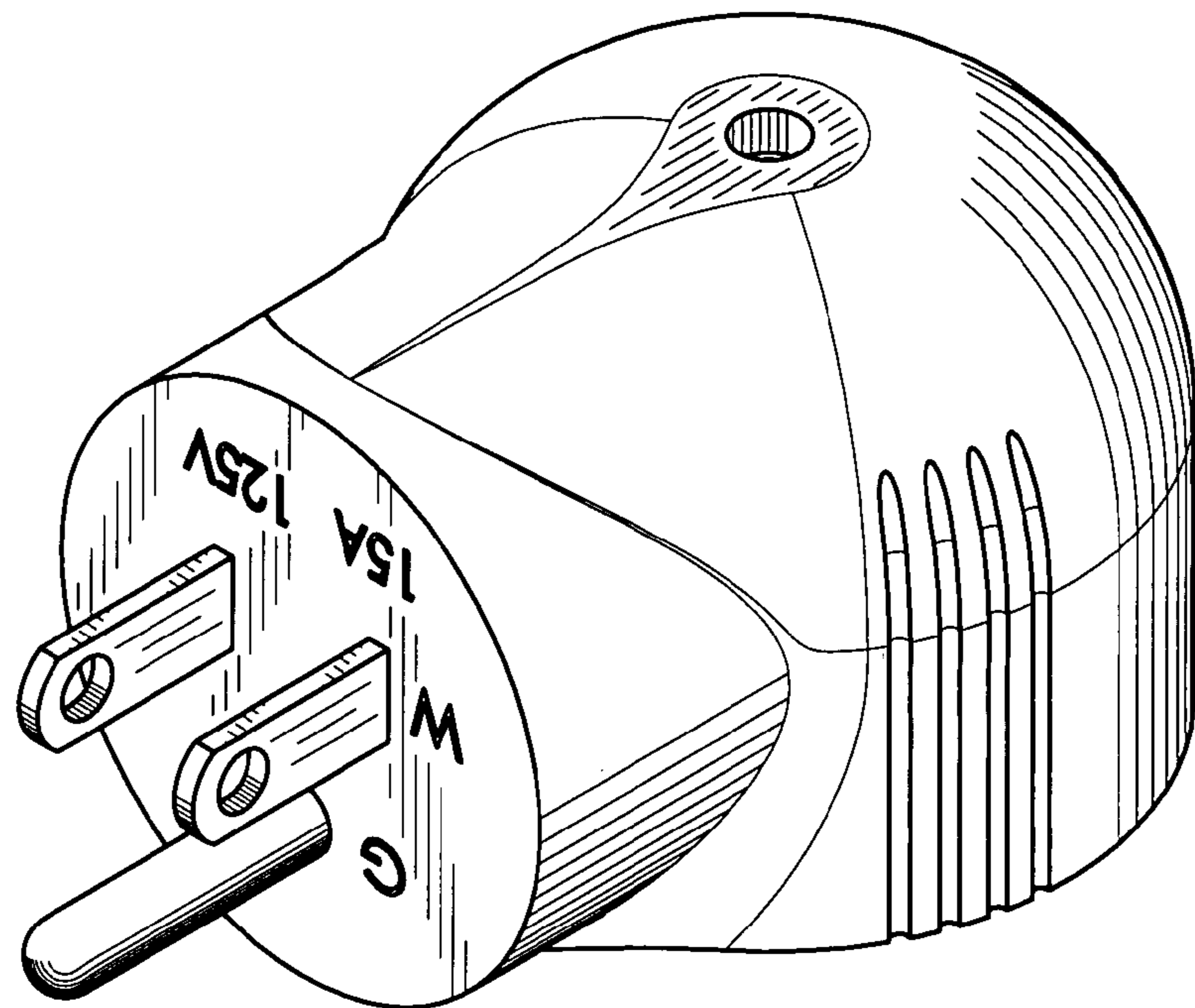


FIG. 1

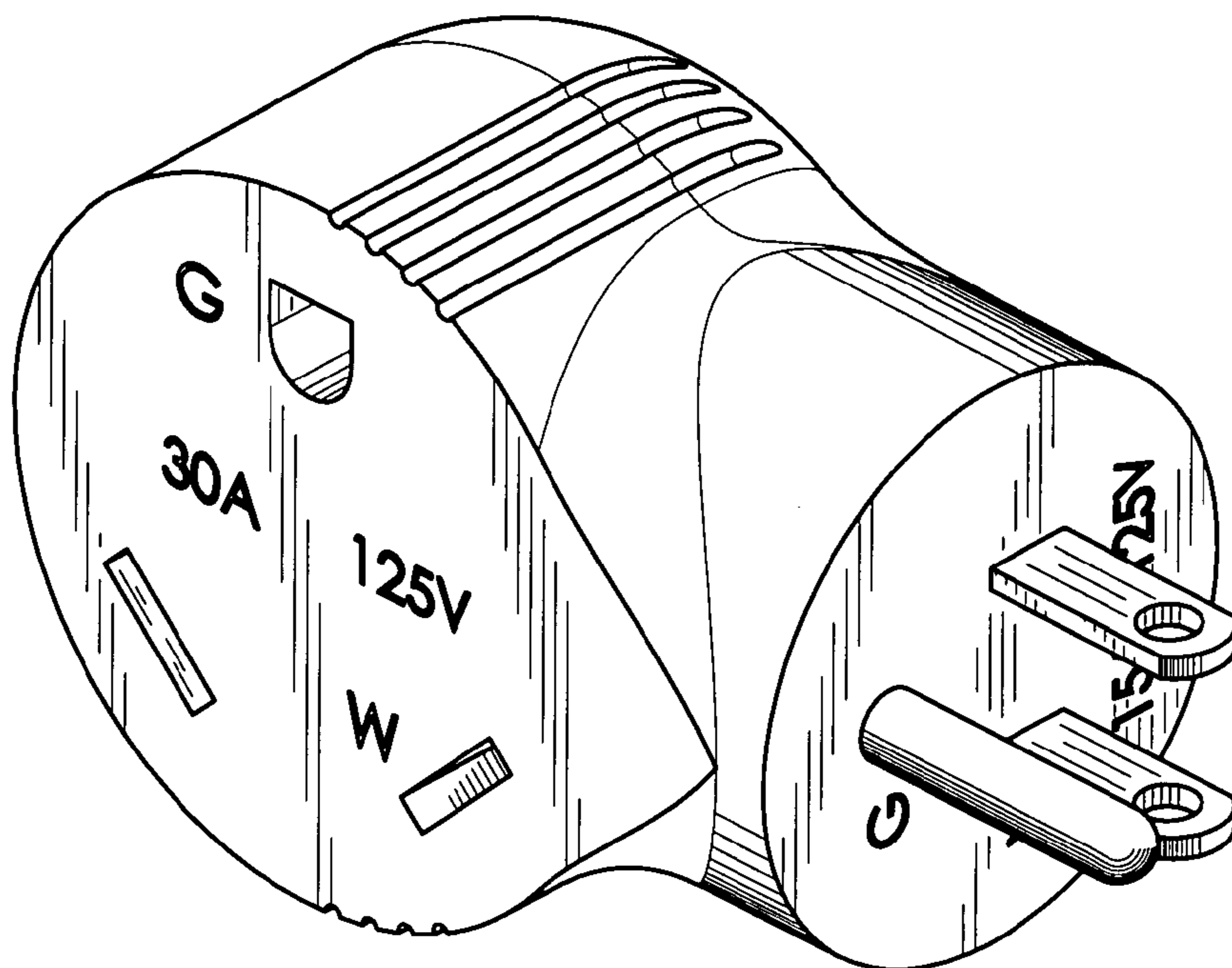


FIG. 2

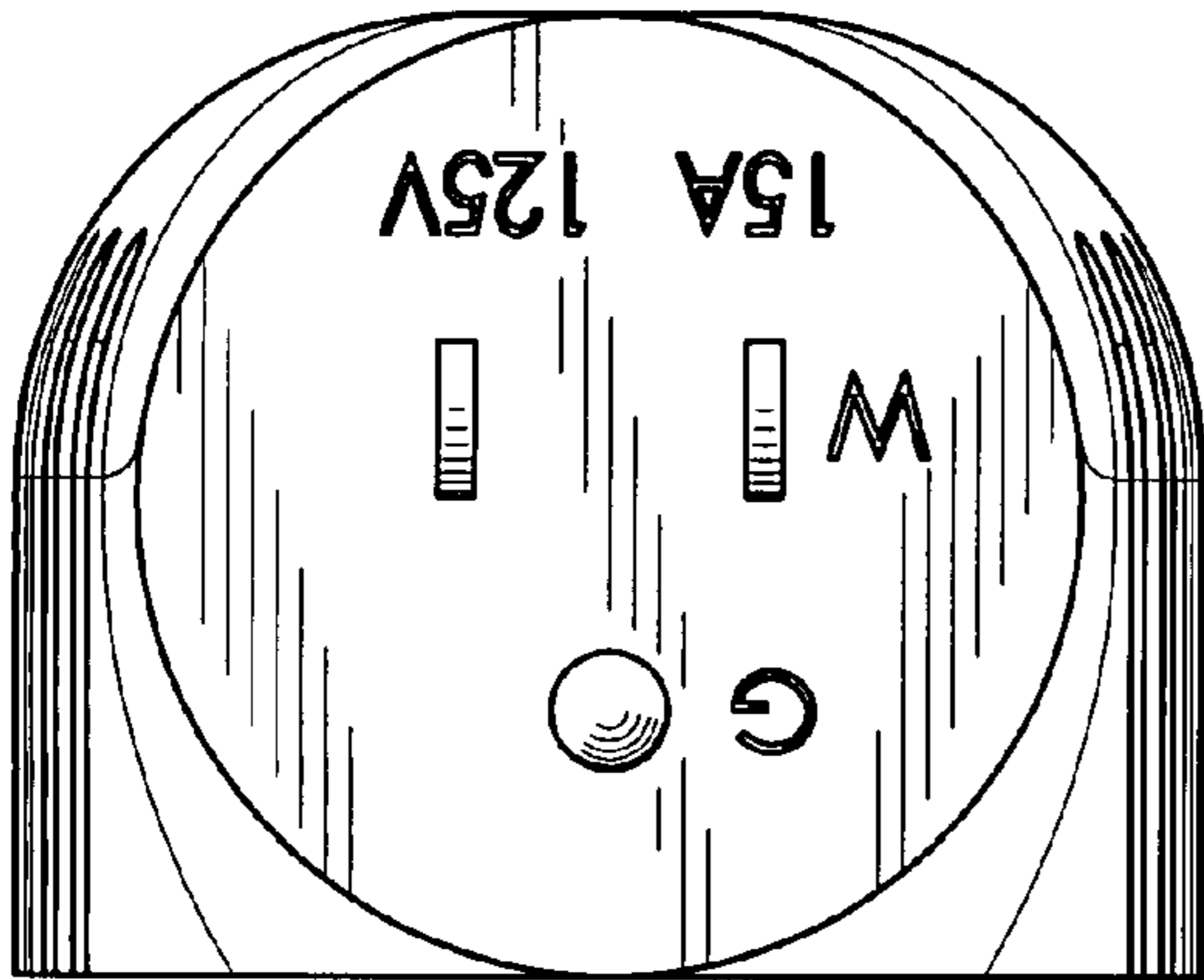


FIG. 3

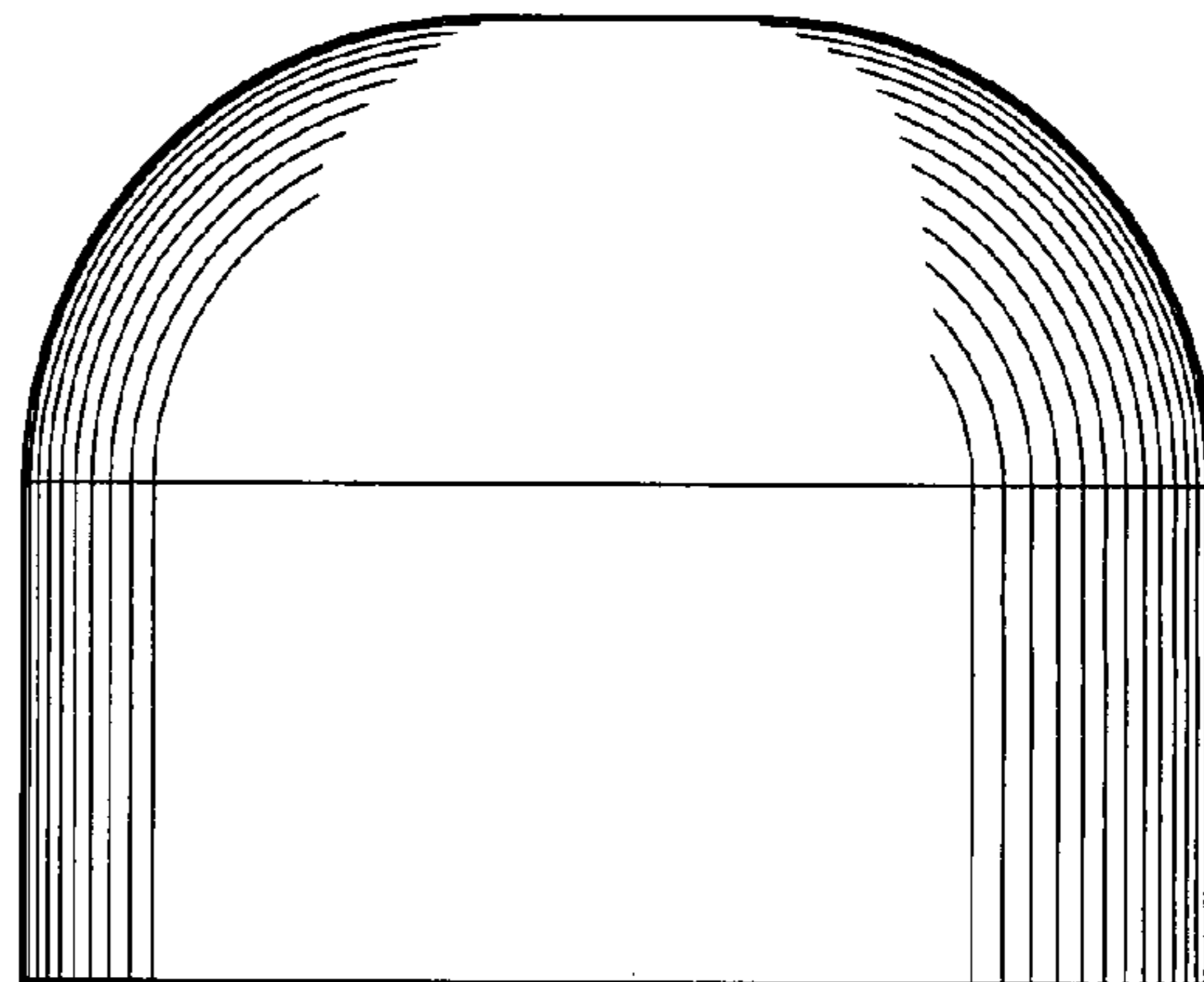


FIG. 4

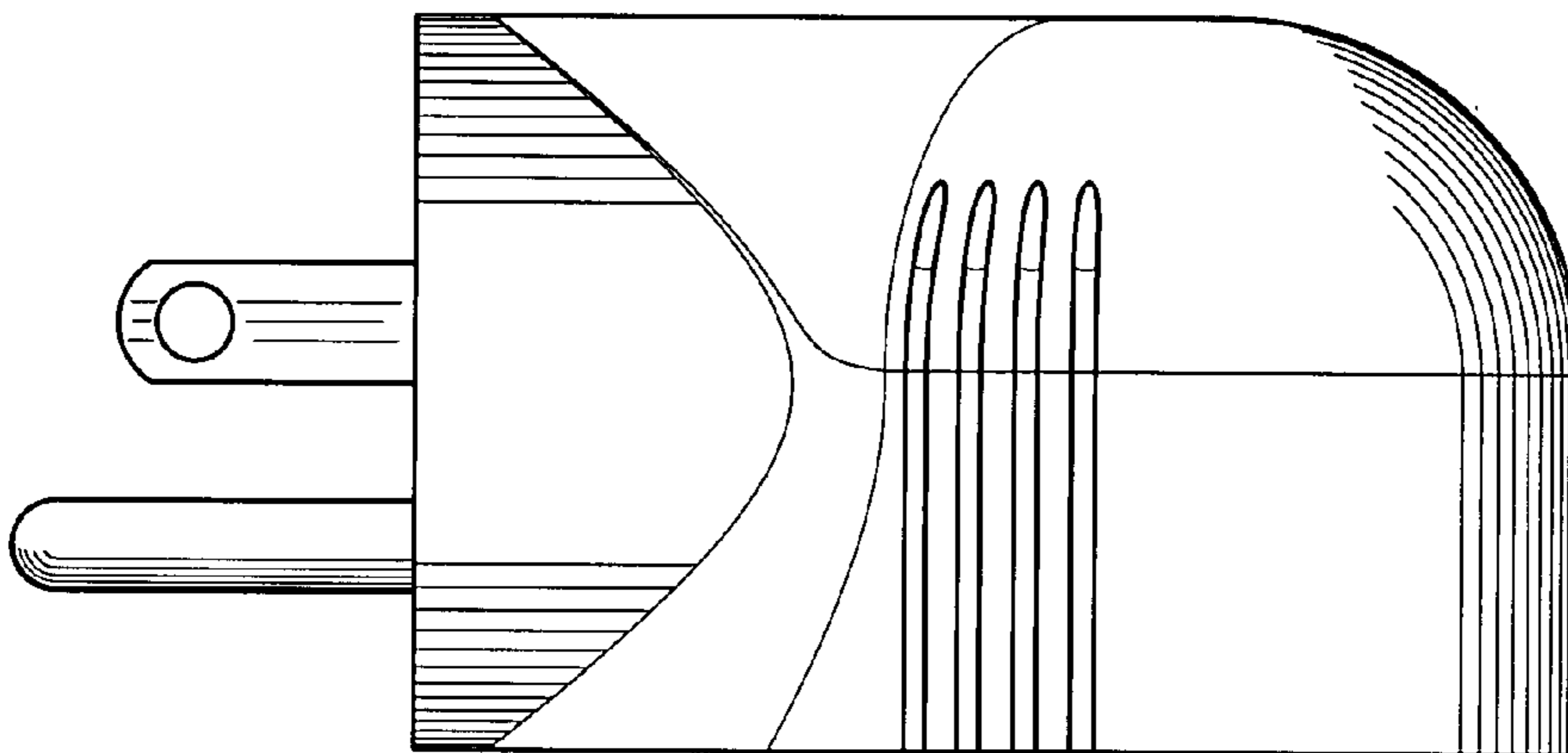


FIG. 5

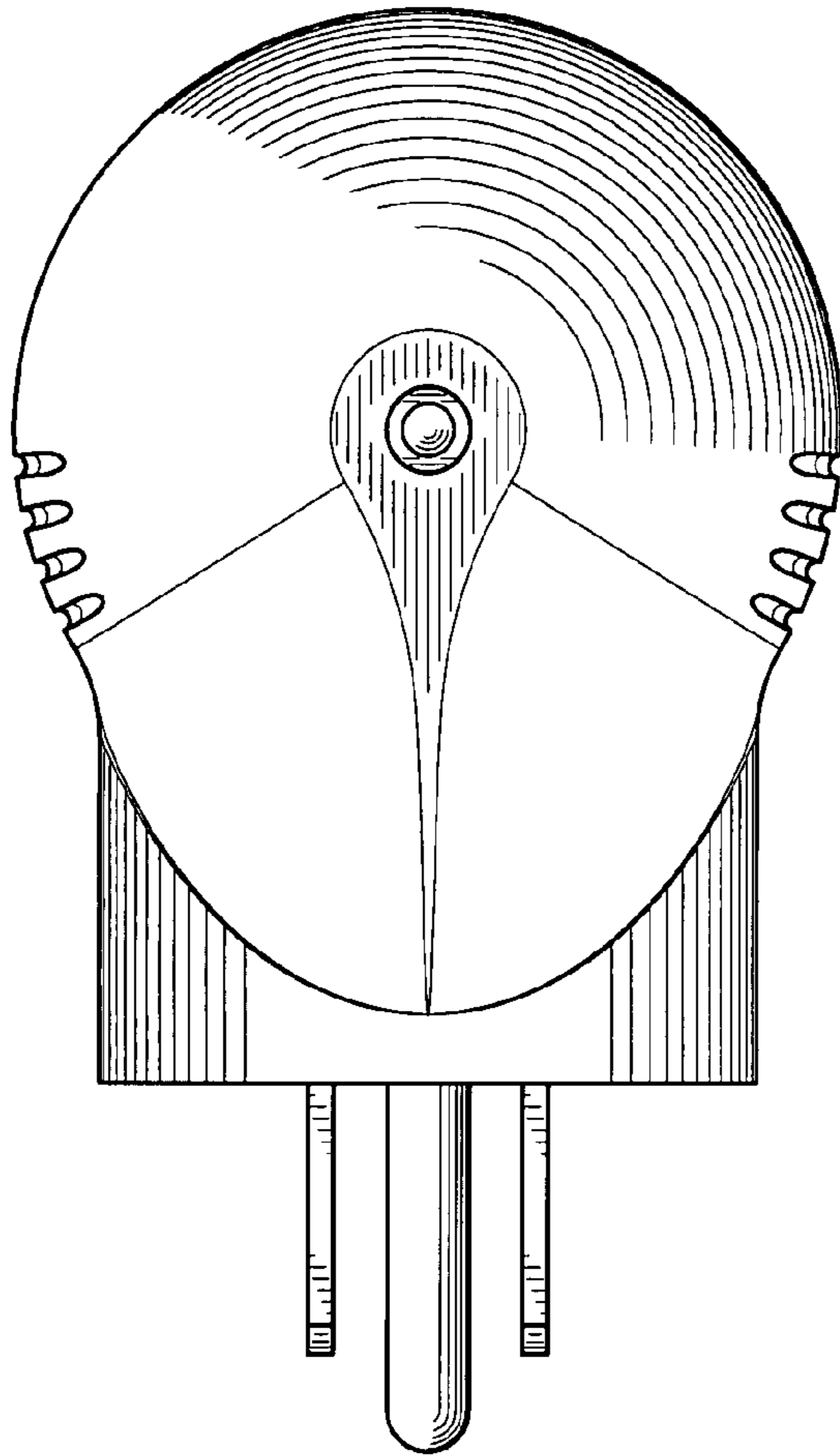


FIG. 6

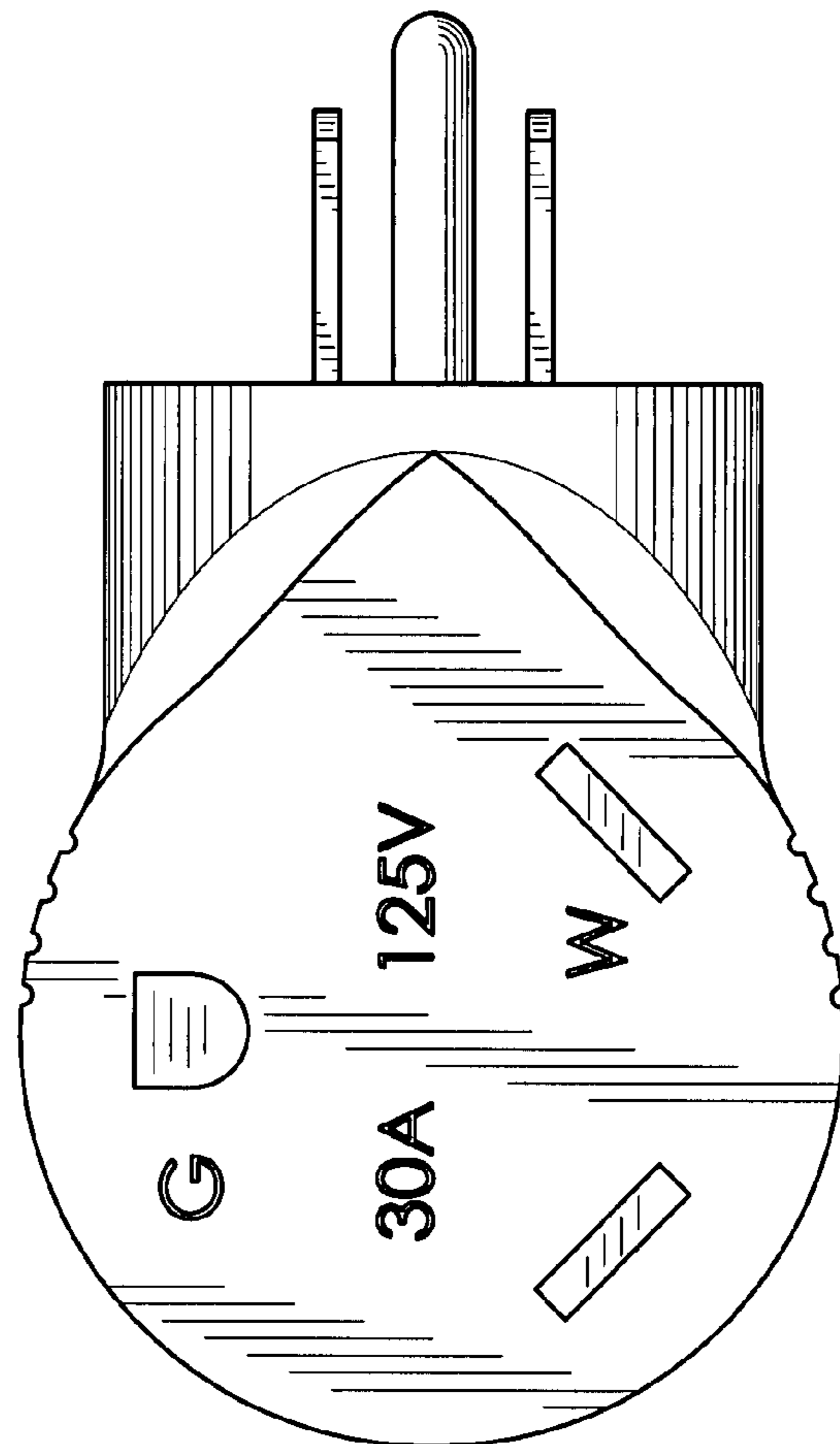


FIG. 7