

US00D559183S

(12) **United States Design Patent**
Victor

(10) **Patent No.:** **US D559,183 S**

(45) **Date of Patent:** **** Jan. 8, 2008**

(54) **HIGH END CABLE CONNECTOR ASSEMBLY**

D550,158 S * 9/2007 Victor et al. D13/146
D553,089 S * 10/2007 Victor et al. D13/147

(76) Inventor: **Jay Victor**, 2017 Bataan Rd., Unit A,
Redondo Beach, CA (US) 90278

* cited by examiner

(**) Term: **14 Years**

Primary Examiner—Daniel Bui
(74) *Attorney, Agent, or Firm*—Trojan Law Office

(21) Appl. No.: **29/282,234**

(57) **CLAIM**

(22) Filed: **Jul. 14, 2007**

The ornamental design for a high end cable connector assembly, as shown and described.

Related U.S. Application Data

(62) Division of application No. 29/248,276, filed on Aug. 7, 2006, now Pat. No. Des. 553,089.

DESCRIPTION

(51) **LOC (8) Cl.** **13-03**

FIG. 1 is a front perspective view of a high end cable connector assembly, showing my new design;

(52) **U.S. Cl.** **D13/133; D13/147; D13/154; D13/153**

FIG. 2 is a side view thereof; the opposite side of the view shown in FIG. 2 is a mirror image of the side view shown;

(58) **Field of Classification Search** D13/133, D13/146-147, 153-154, 184, 199; 174/72 R; 439/489, 502, 505, 578, 584-585, 625
See application file for complete search history.

FIG. 3 is a top view thereof; and,

FIG. 4 is a rear perspective view thereof.

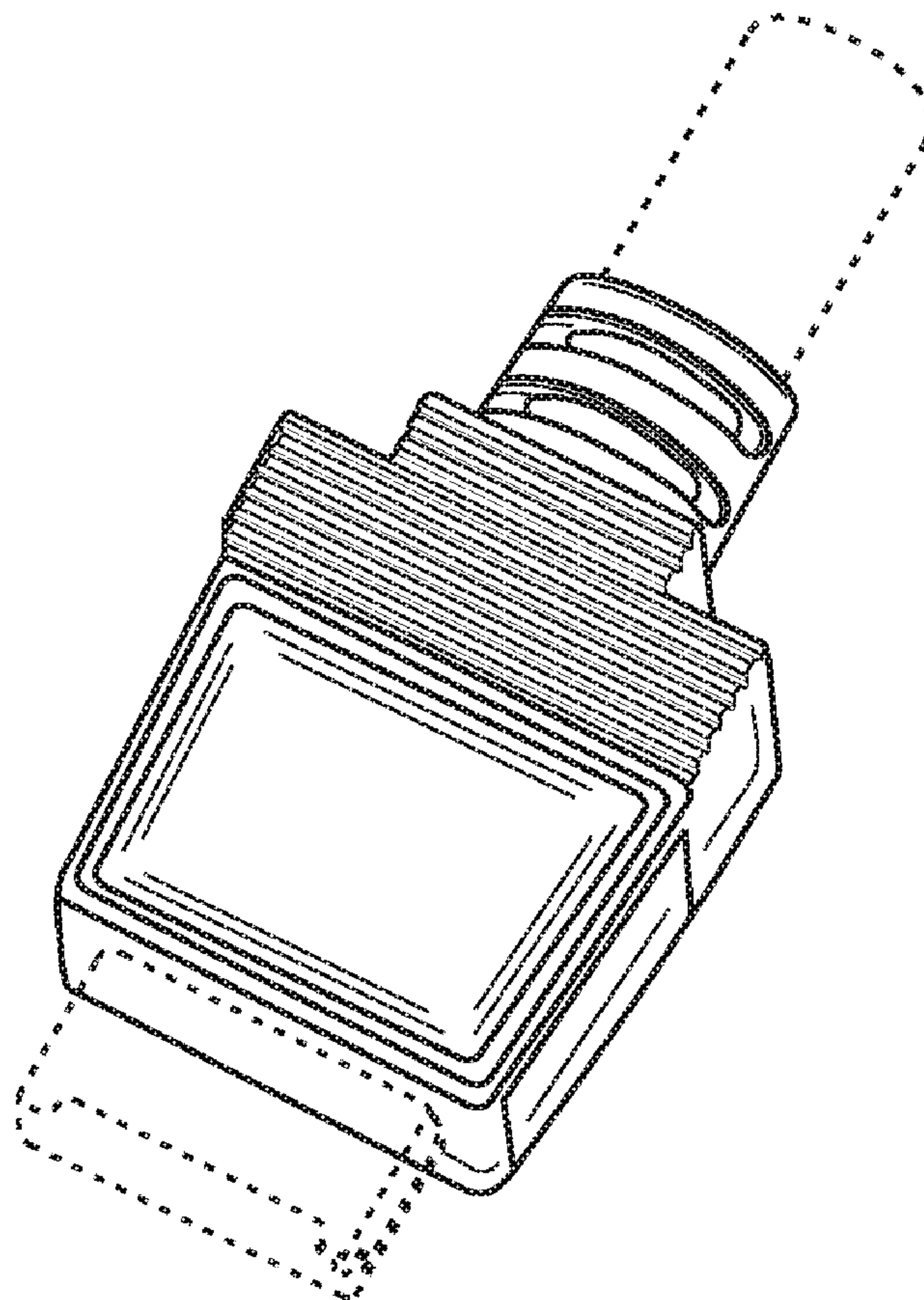
The broken lines showing of the environment in FIGS. 1 through 4 are for illustrative purposes only and form no part of the claimed design.

(56) **References Cited**

U.S. PATENT DOCUMENTS

D519,084 S * 4/2006 Hertel et al. D13/154

1 Claim, 2 Drawing Sheets



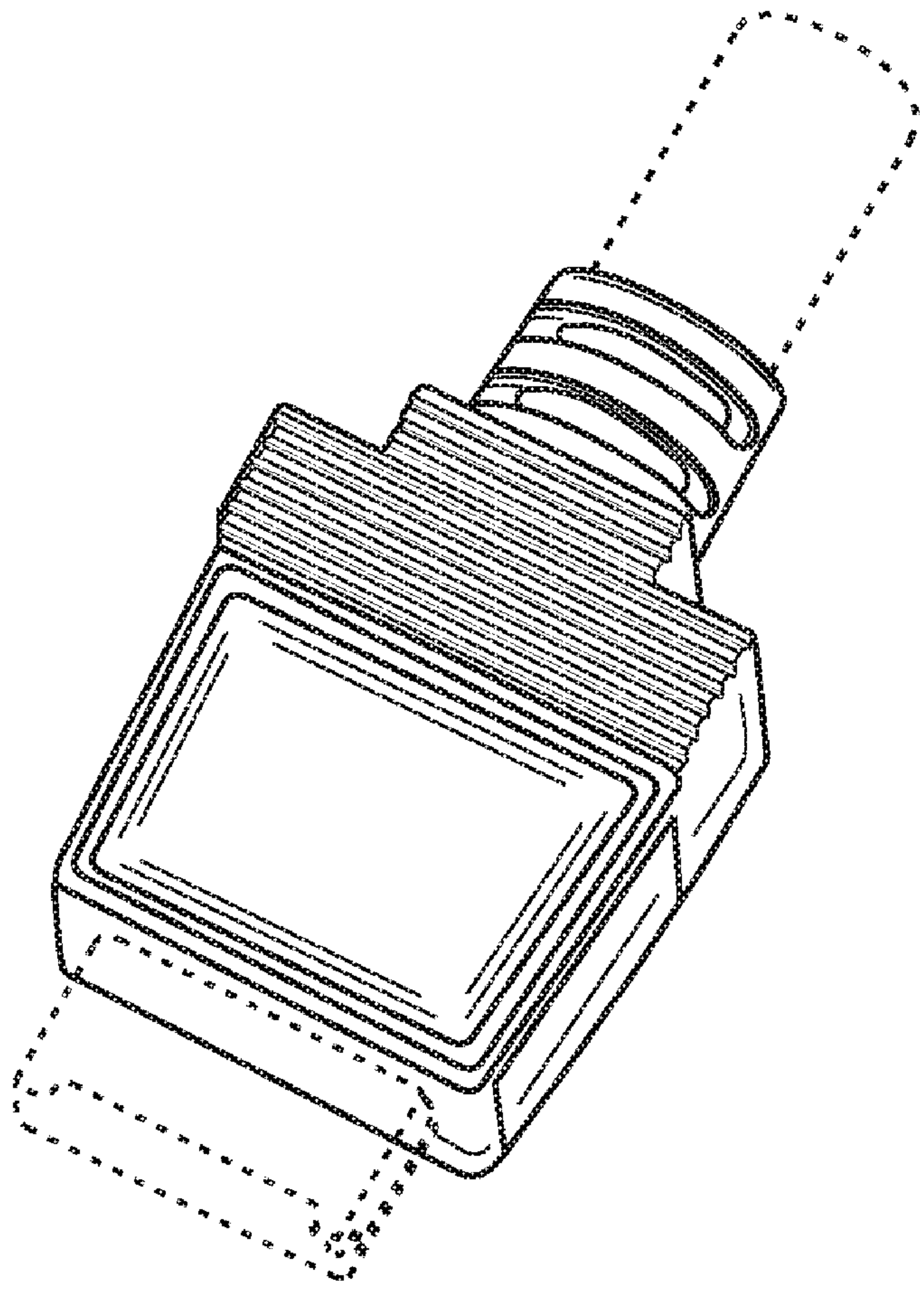


FIG. 1

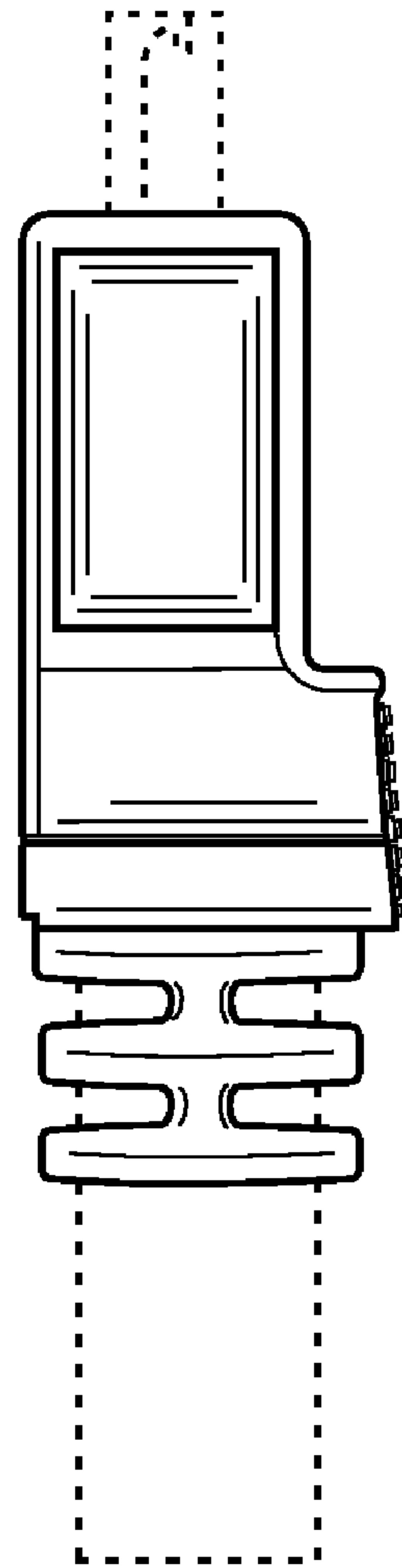


FIG. 2

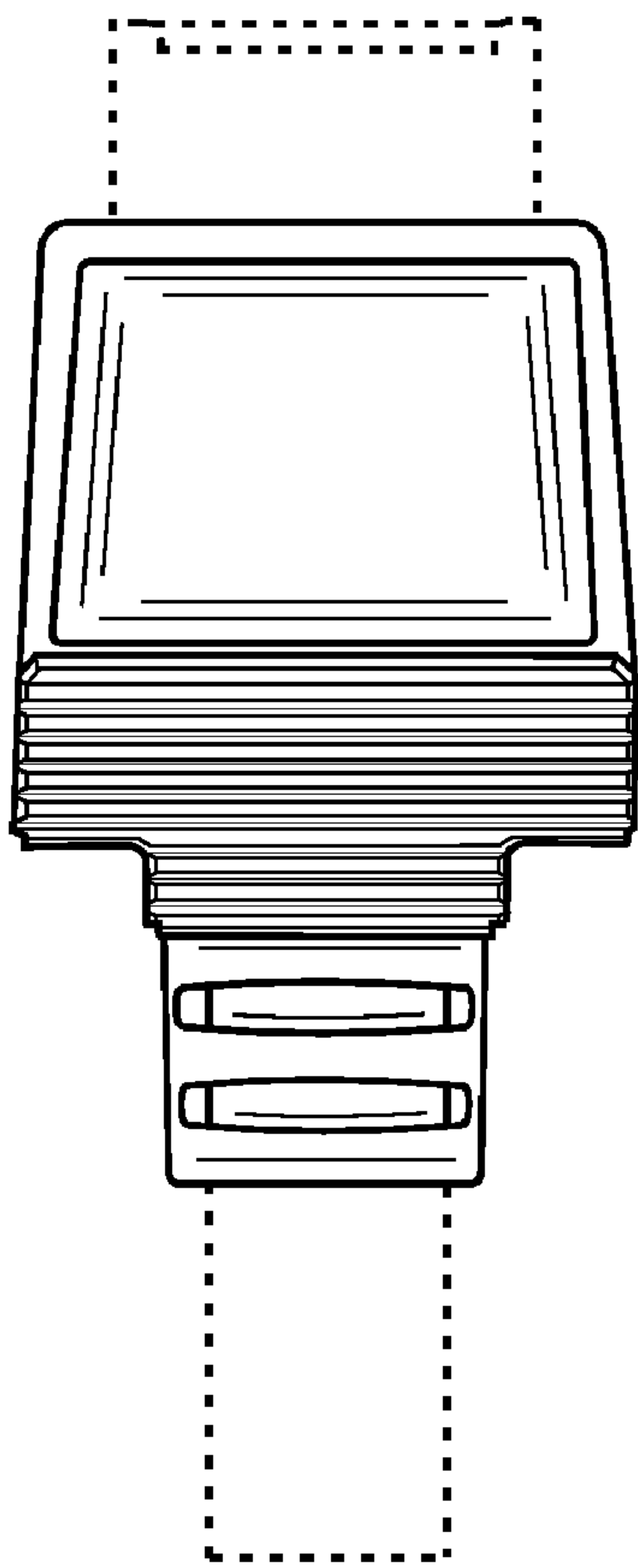


FIG. 3

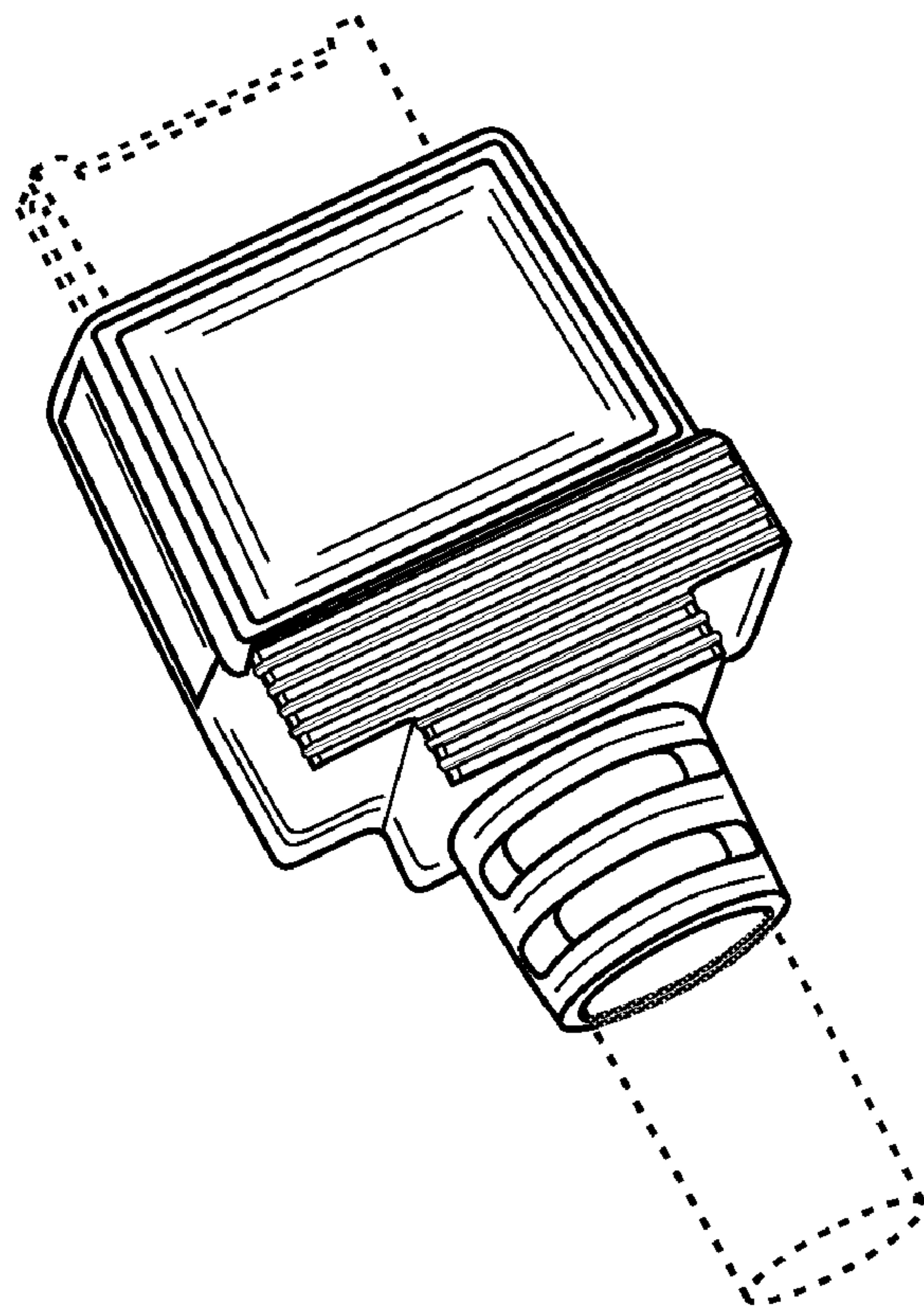


FIG. 4