



US00D559182S

(12) **United States Design Patent**  
**Rector, III et al.**

(10) **Patent No.:** **US D559,182 S**

(45) **Date of Patent:** **\*\* Jan. 8, 2008**

(54) **CABLE CONNECTOR MODULE**

(75) Inventors: **Jack Brown Rector, III**, San Ramon, CA (US); **Saeed Seyed**, Los Altos Hills, CA (US)

(73) Assignee: **Cisco Technology, Inc.**, San Jose, CA (US)

(\*\*) Term: **14 Years**

(21) Appl. No.: **29/269,283**

(22) Filed: **Nov. 27, 2006**

(51) **LOC (8) Cl.** ..... **13-03**

(52) **U.S. Cl.** ..... **D13/133; D13/147**

(58) **Field of Classification Search** ..... D13/133, D13/147, 154, 184, 199; D14/140, 217, D14/240, 256, 299, 356, 432; 439/344, 535-536, 439/540.1, 638, 650, 676

See application file for complete search history.

(56) **References Cited**

**U.S. PATENT DOCUMENTS**

D303,246 S *	9/1989	Freeman et al. ....	D13/147
D422,563 S *	4/2000	Wu .....	D13/147
6,123,564 A	9/2000	Belmore, III .....	439/344
D432,991 S *	10/2000	Taguchi .....	D13/147
6,547,585 B2	4/2003	Bradley et al. ....	439/353
6,561,838 B1	5/2003	Blichfeldt .....	439/418
6,648,652 B2	11/2003	Nakano et al. ....	439/55
6,783,391 B2	8/2004	Schlueter et al. ....	439/540.1

6,796,844 B1	9/2004	Edwards, III .....	439/638
6,857,900 B2	2/2005	Kleeberger et al. ....	439/540.1
D503,384 S *	3/2005	Weatherley .....	D13/147
6,953,368 B2	10/2005	Khemakhem et al. ....	439/668
6,964,578 B2	11/2005	Clark et al. ....	439/320
D521,504 S *	5/2006	Nagel et al. ....	D14/240
2004/0229501 A1 *	11/2004	Caveney et al. ....	439/540.1
2006/0166550 A1 *	7/2006	Murr et al. ....	439/540.1

\* cited by examiner

*Primary Examiner*—Daniel Bui

(74) *Attorney, Agent, or Firm*—BainwoodHuang

(57) **CLAIM**

The ornamental design for a cable connector module, as shown and described.

**DESCRIPTION**

FIG. 1 is a perspective view of a cable connector module according to our new design;

FIG. 2 is a front view thereof;

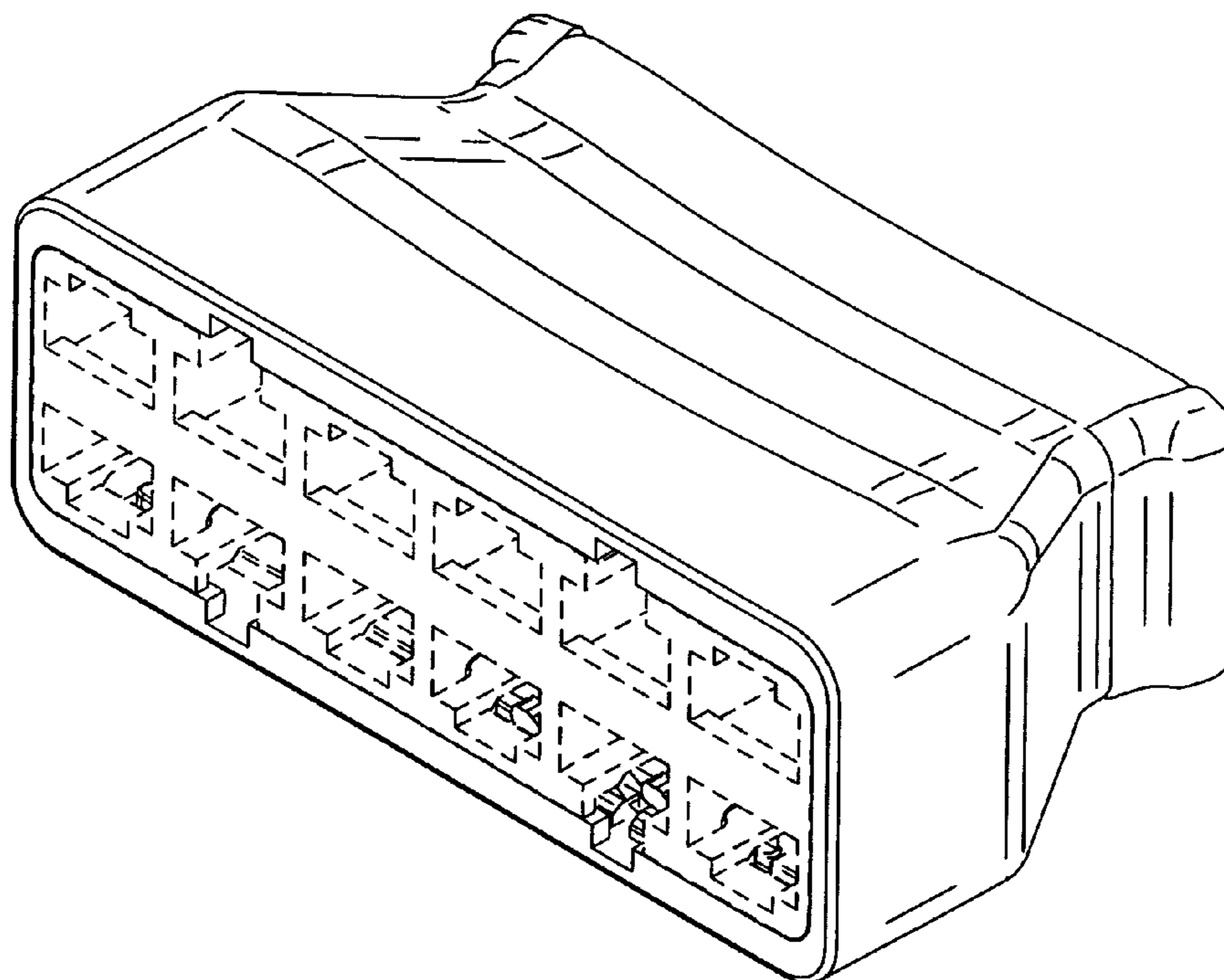
FIG. 3 is a rear view thereof;

FIG. 4 is a top view thereof, a bottom view of the cable connector module being a mirror image of the top view; and,

FIG. 5 is a left side view thereof, a right side view of the cable connector module being a mirror image of the left side view.

The broken line showing of the environment is for illustrative purposes only and forms no part of the claimed design.

**1 Claim, 5 Drawing Sheets**



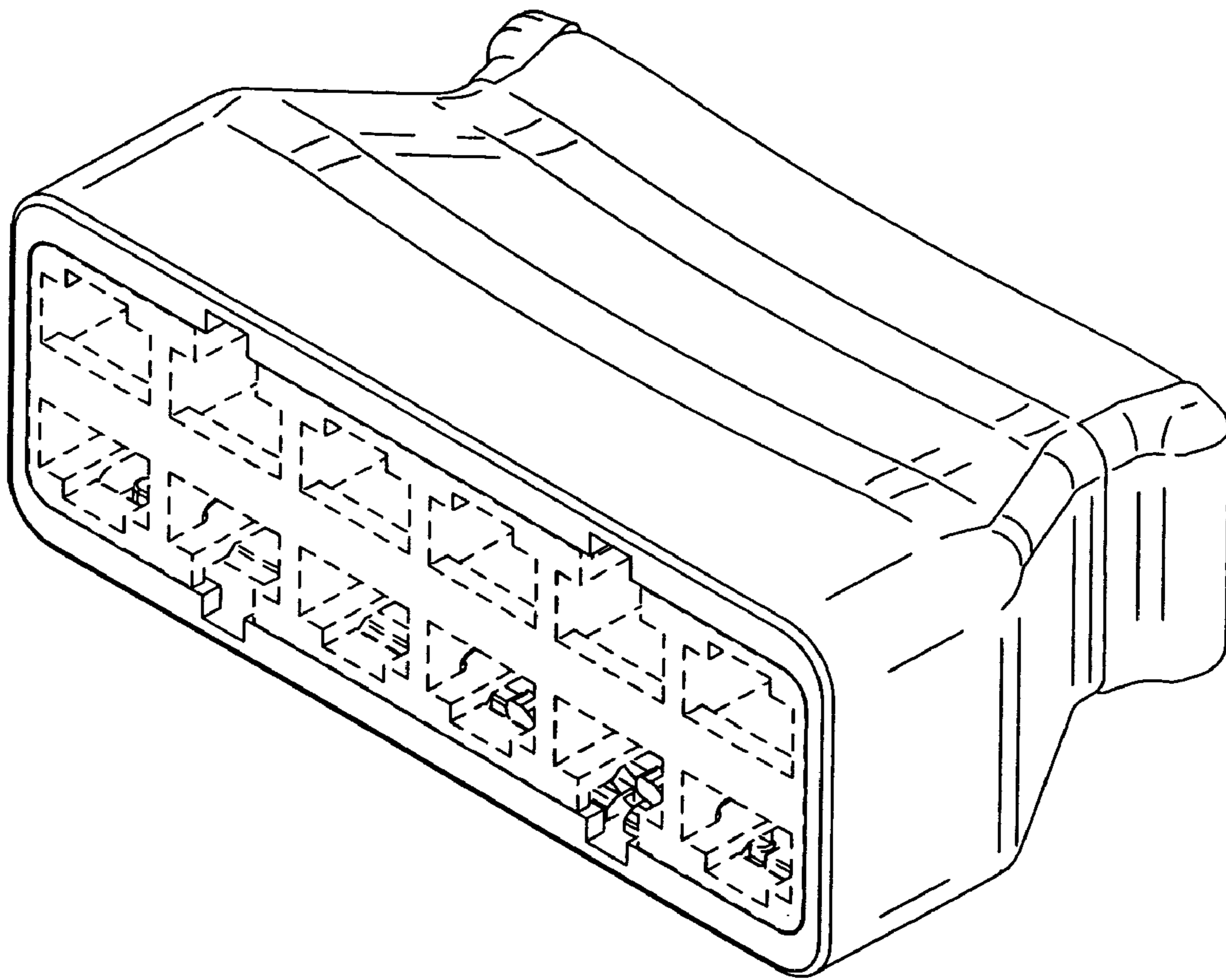


FIG. 1

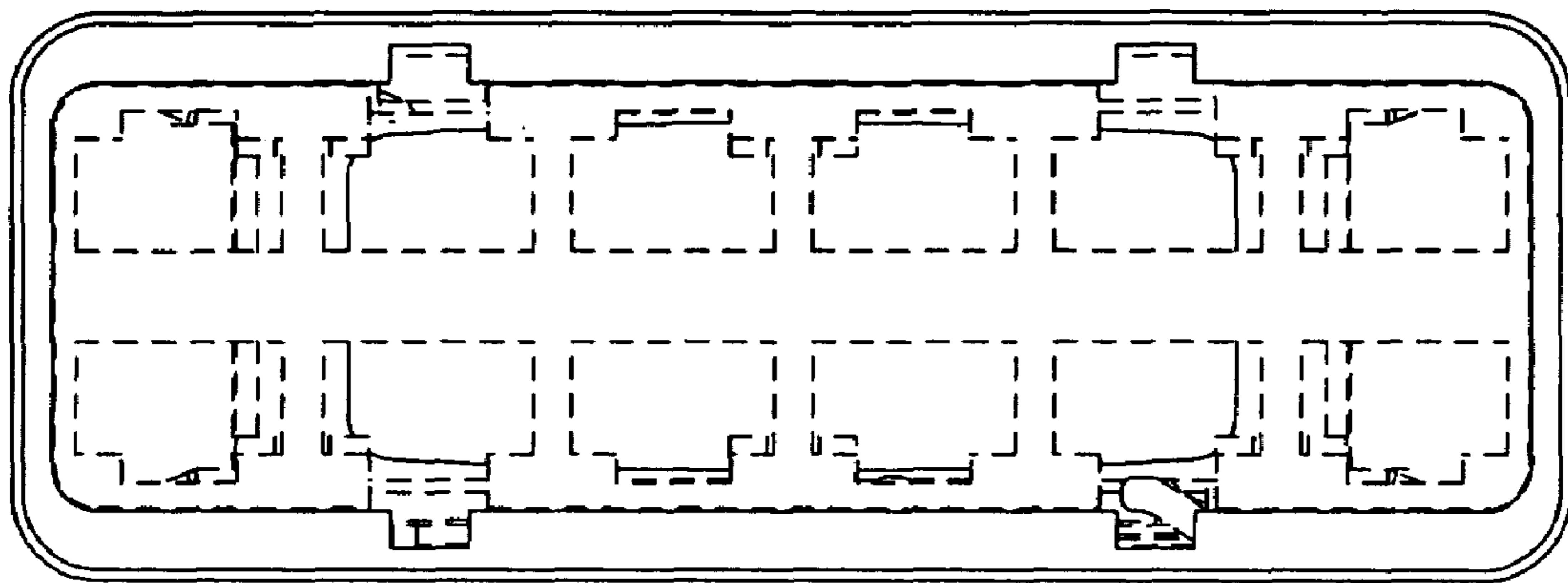


FIG. 2

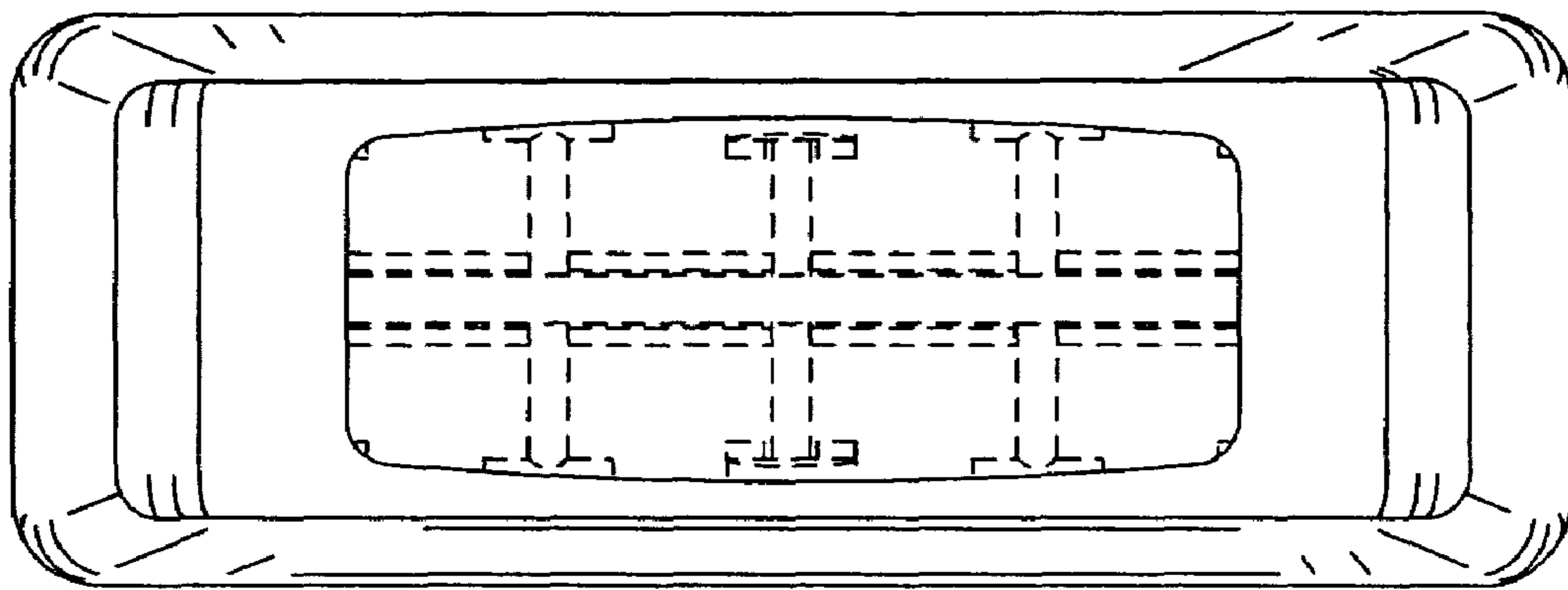


FIG. 3

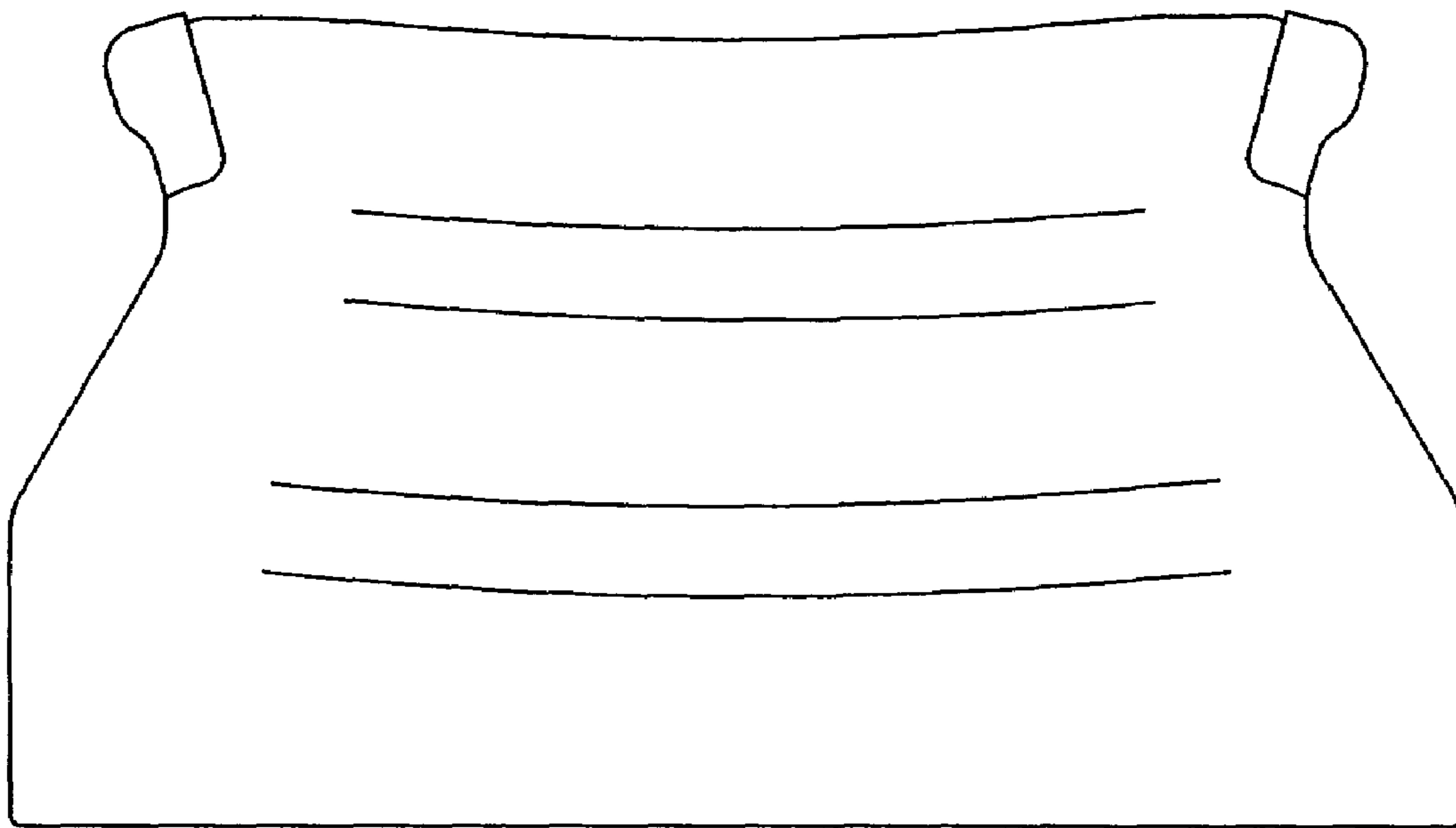


FIG. 4

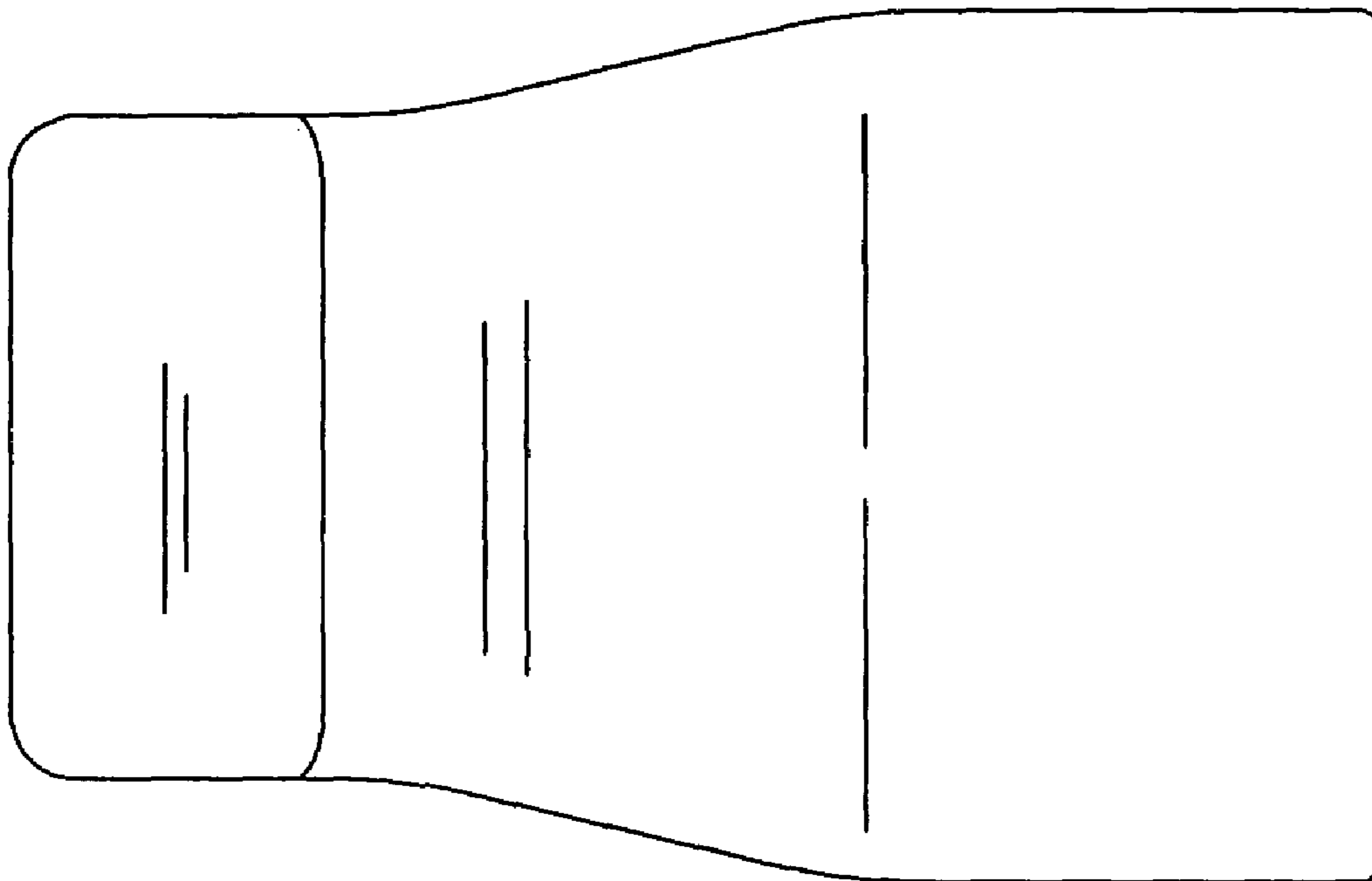


FIG. 5