



US00D559181S

(12) **United States Design Patent** (10) **Patent No.:** **US D559,181 S**
Yan (45) **Date of Patent:** **** Jan. 8, 2008**

(54) **BATTERY CONNECTOR**

(75) Inventor: **Lai Ming Yan, Tu-Cheng (TW)**

(73) Assignee: **Cheng Uei Precision Industry Co., Ltd., Taipei Hsien (TW)**

(**) Term: **14 Years**

(21) Appl. No.: **29/272,743**

(22) Filed: **Feb. 16, 2007**

(51) **LOC (8) Cl.** **13-03**

(52) **U.S. Cl.** **D13/120; D13/147**

(58) **Field of Classification Search** D13/120,
D13/133, 146-147, 184, 199; 439/108, 577,
439/630, 660, 680, 773, 862

See application file for complete search history.

(56) **References Cited**

U.S. PATENT DOCUMENTS

D419,133	S *	1/2000	Yoshida et al.	D13/120
6,068,519	A *	5/2000	Lok	439/660
6,113,440	A *	9/2000	Fijten et al.	439/862
D455,126	S *	4/2002	Wu	D13/147
D485,807	S *	1/2004	Kao et al.	D13/133
D486,448	S *	2/2004	Watanabe et al.	D13/120
6,702,621	B2 *	3/2004	Yeh	439/660
6,951,488	B2 *	10/2005	Hsieh	439/660
D529,443	S *	10/2006	Chien	D13/147
D538,228	S *	3/2007	Wang et al.	D13/146

2001/0034162	A1 *	10/2001	Annaler et al.	439/630
2003/0190848	A1 *	10/2003	Wu	439/862
2005/0059303	A1 *	3/2005	Panella et al.	439/862

* cited by examiner

Primary Examiner—Cathron Brooks

Assistant Examiner—Rosemary K Tarcza

(74) *Attorney, Agent, or Firm*—Rosenberg, Klein & Lee

(57) **CLAIM**

The ornamental design for a battery connector, as shown and described.

DESCRIPTION

FIG. 1 is a perspective view of a battery connector showing my new design;

FIG. 2 is a front elevational view thereof;

FIG. 3 is a rear elevational view thereof;

FIG. 4 is a left side elevational view thereof;

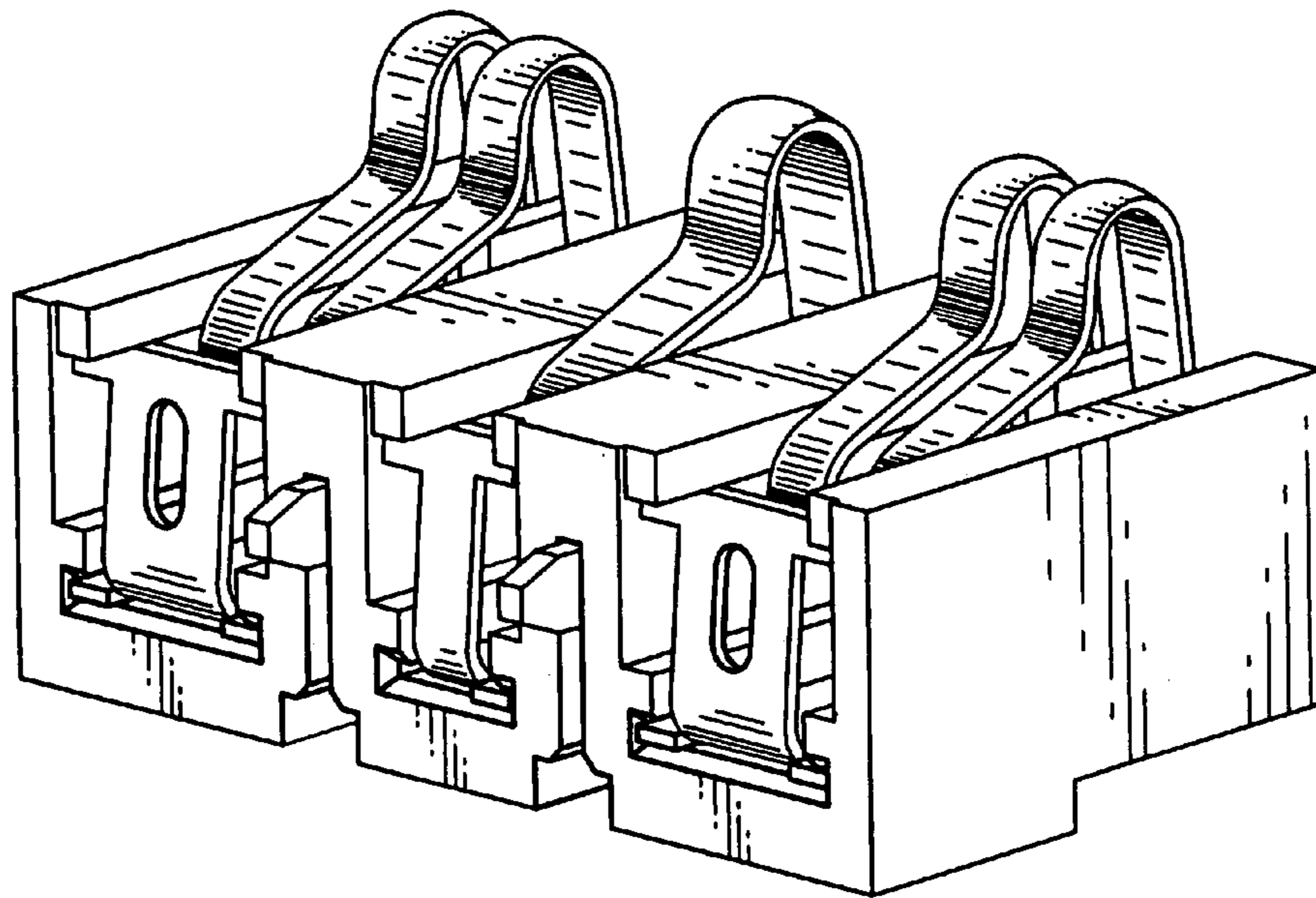
FIG. 5 is a right side elevational view thereof;

FIG. 6 is a top plan view thereof; and,

FIG. 7 is a bottom plan view thereof.

The broken line showing is included for the purpose of illustrating environmental features and forms no part of the claimed design.

1 Claim, 7 Drawing Sheets



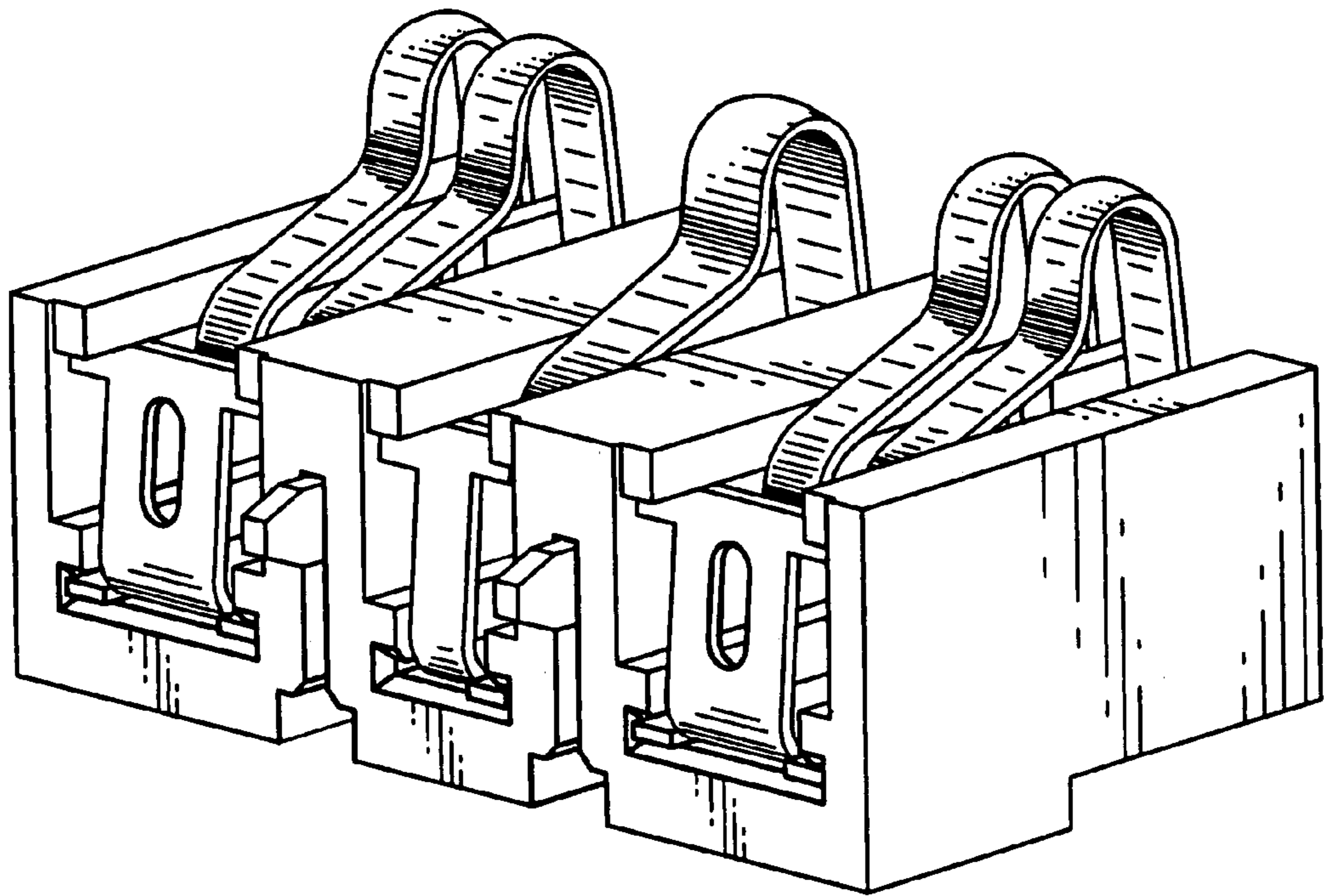


FIG. 1

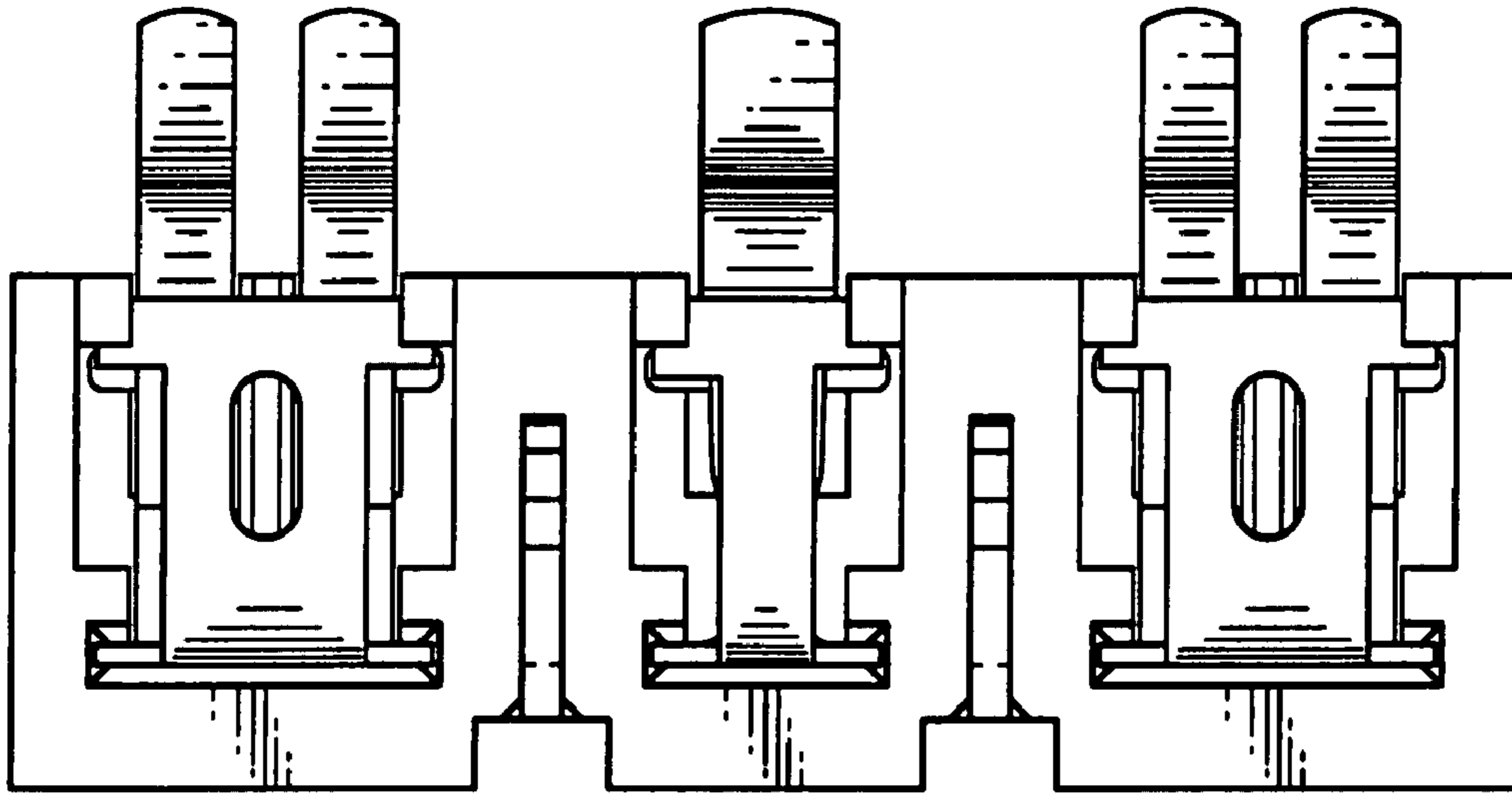


FIG. 2

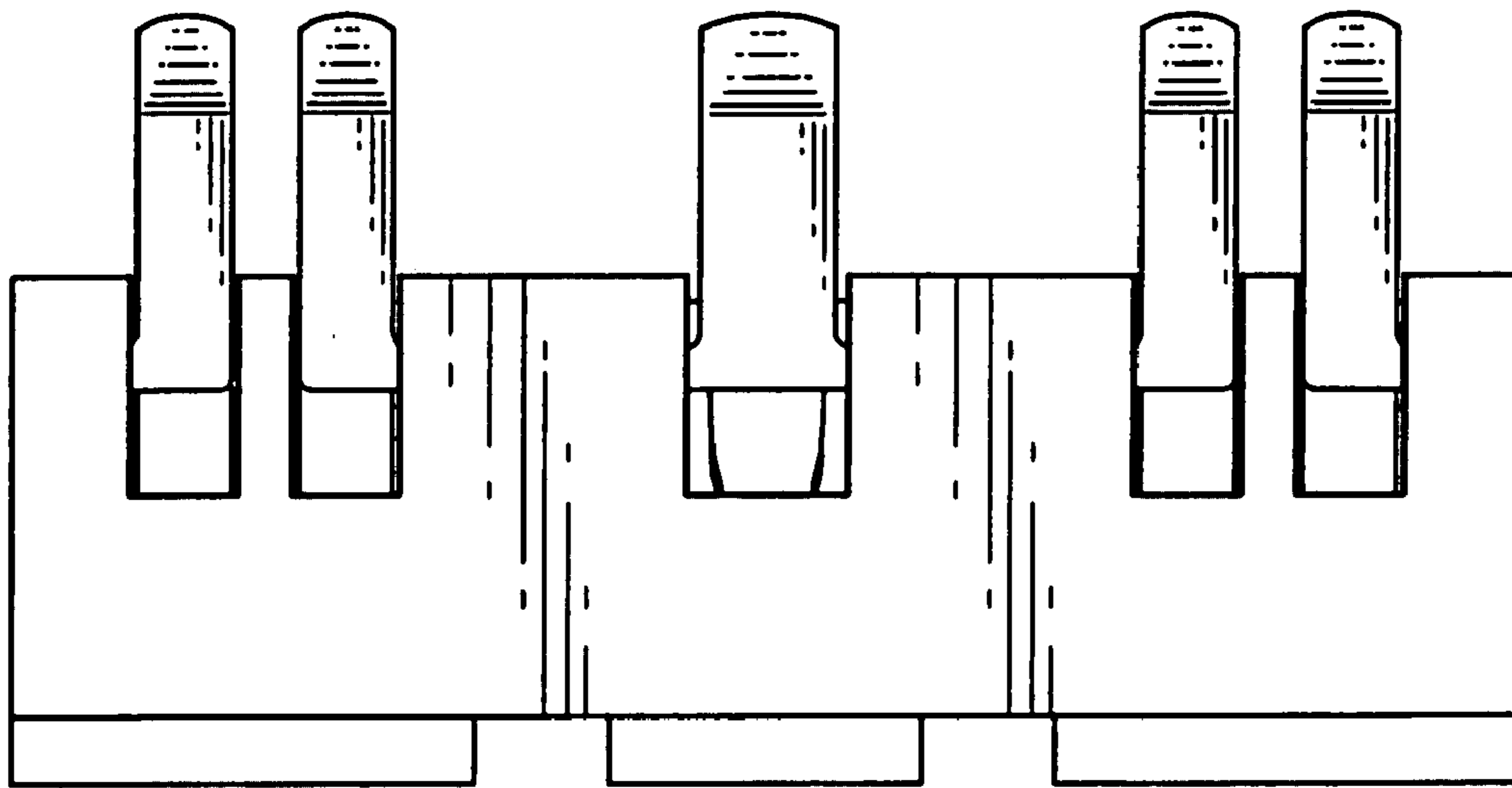


FIG. 3

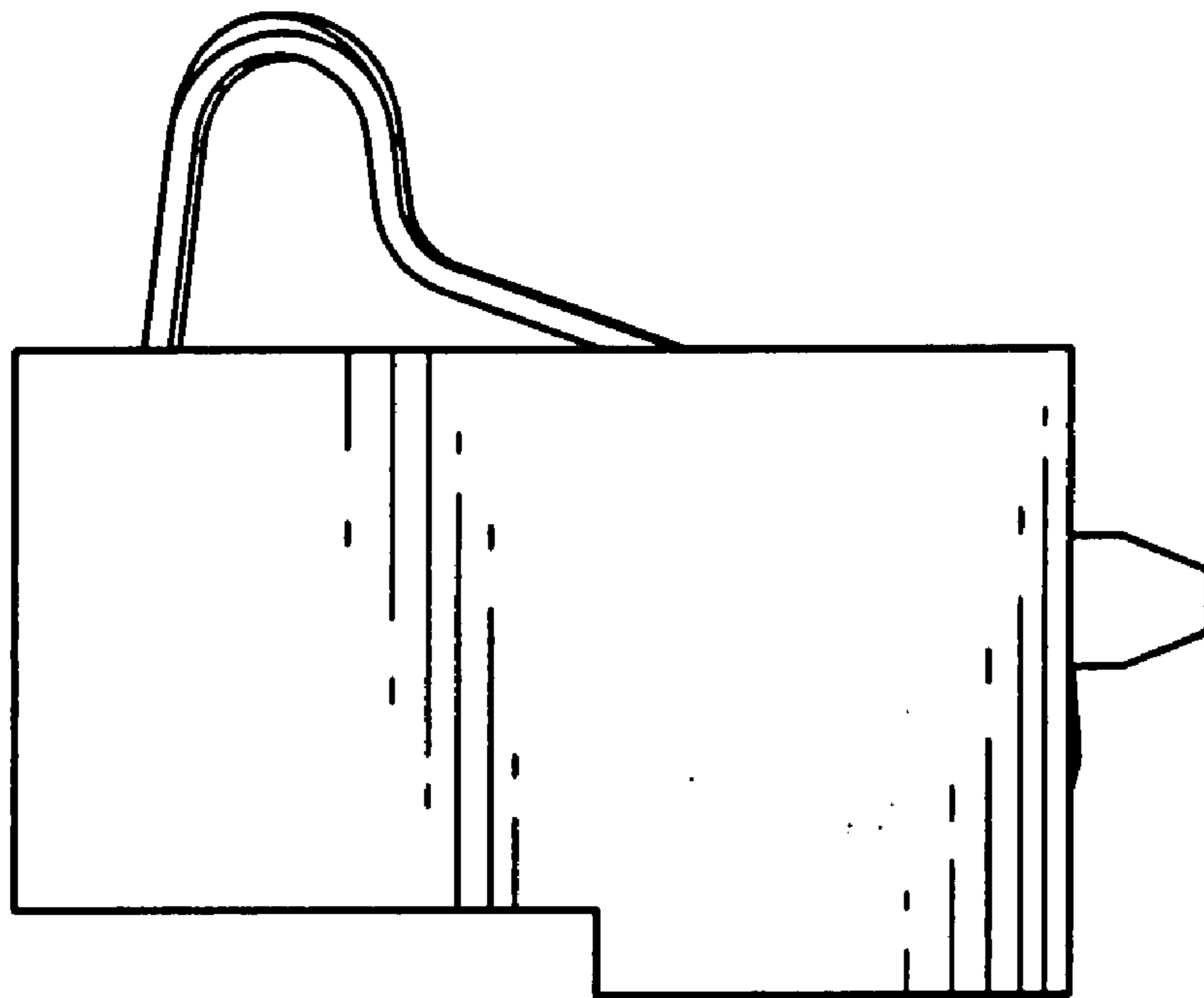


FIG. 4

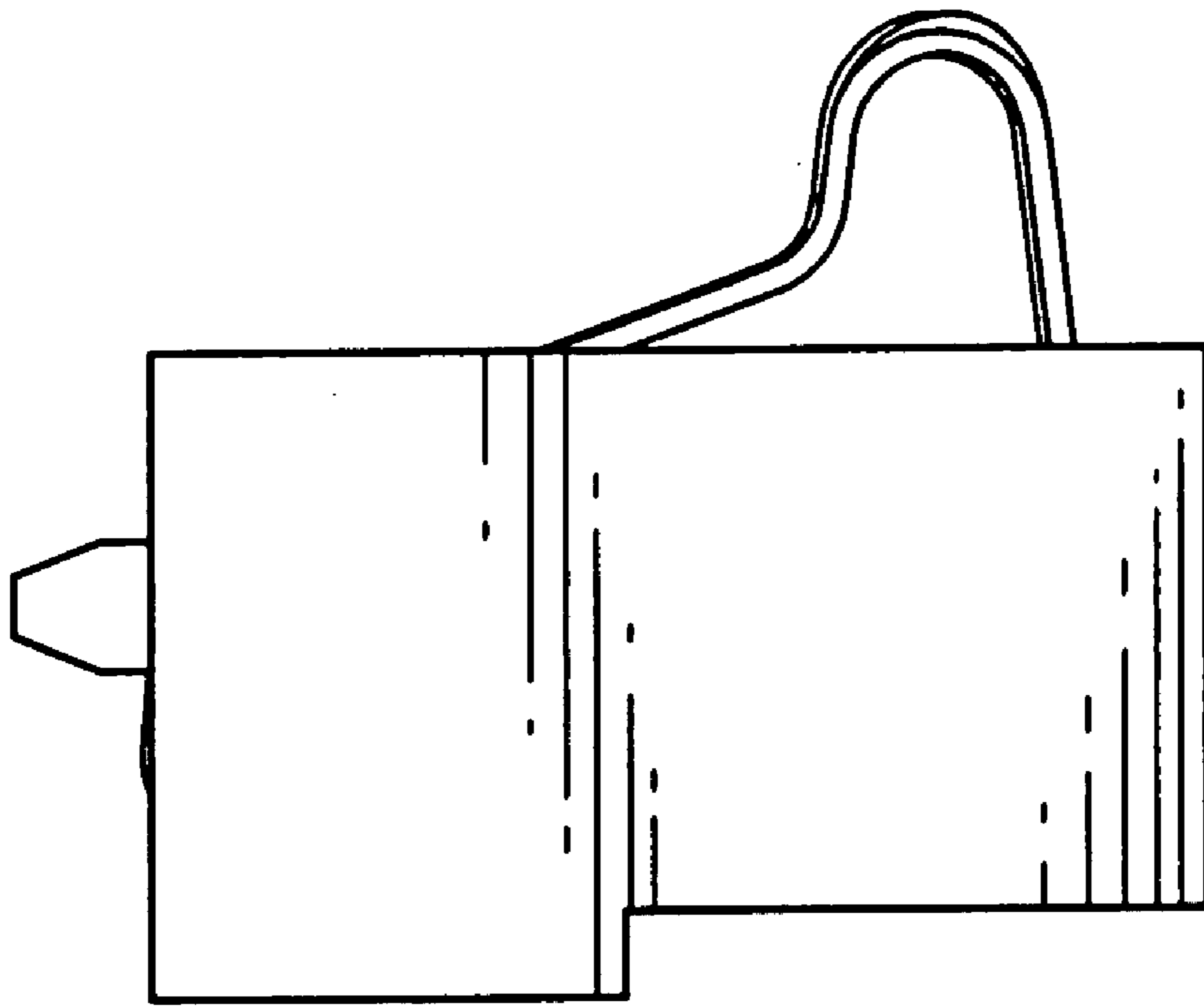


FIG. 5

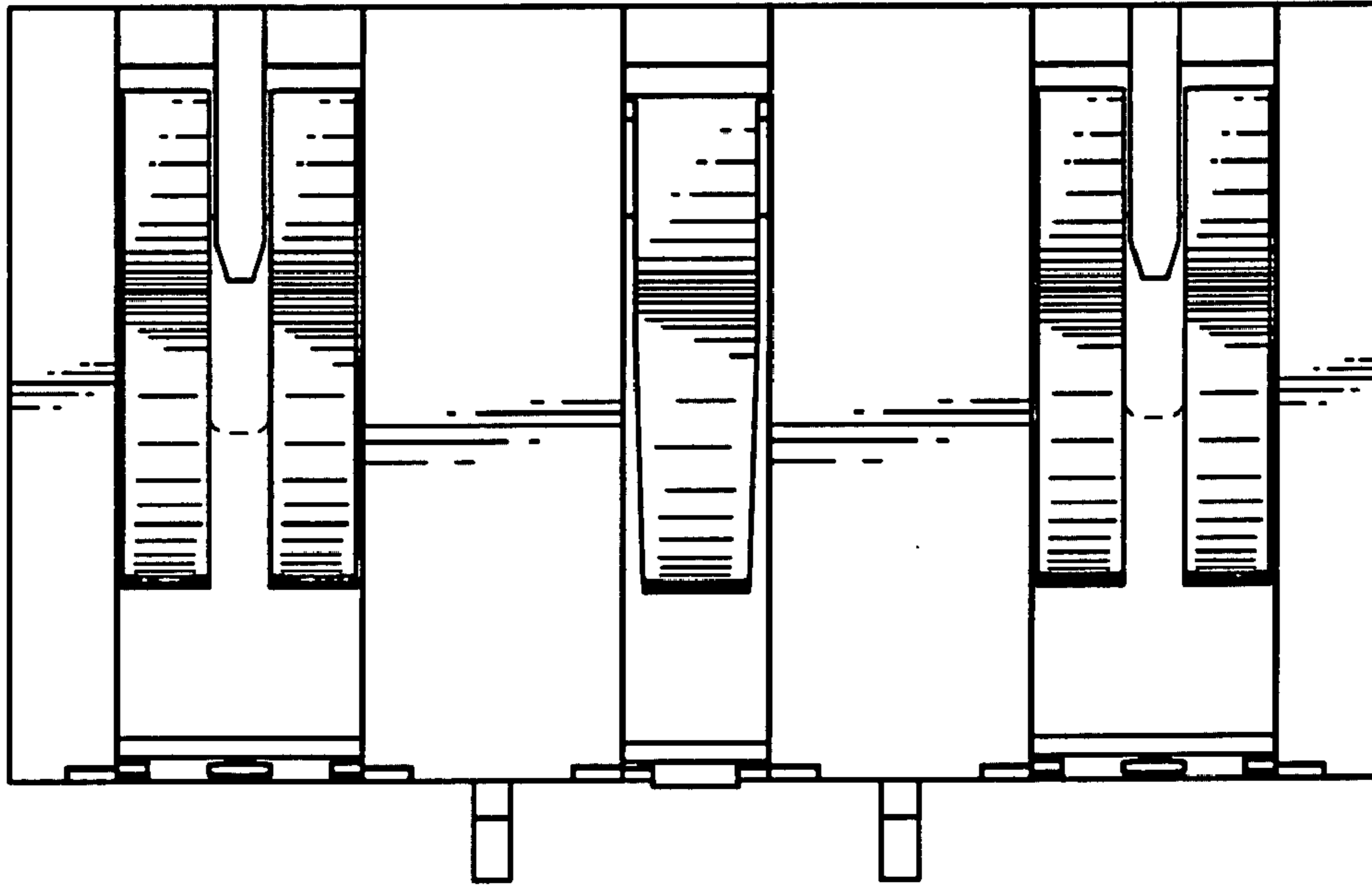


FIG. 6

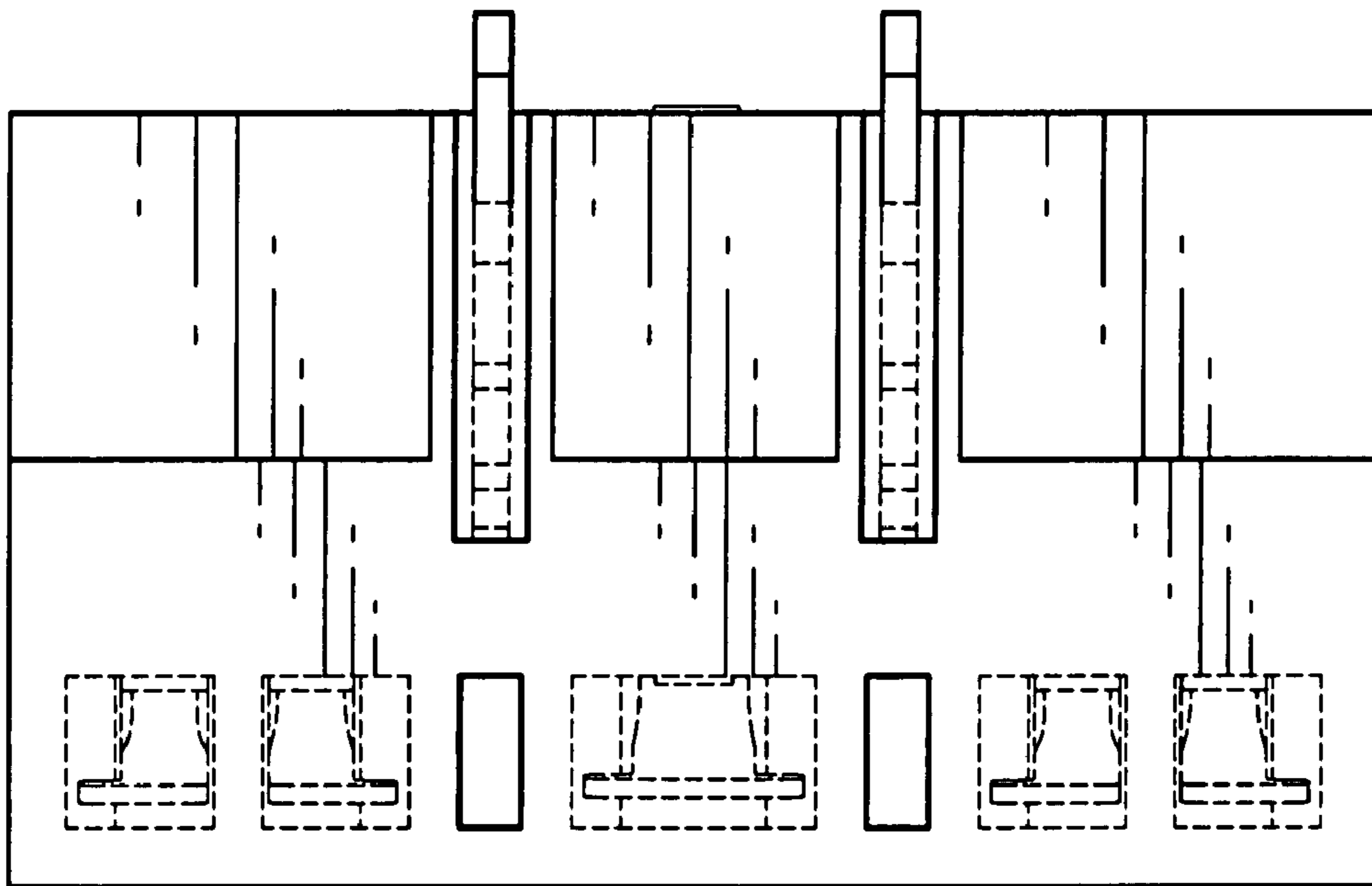


FIG. 7