



US00D559179S

(12) **United States Design Patent**
Kuo

(10) **Patent No.:** **US D559,179 S**

(45) **Date of Patent:** **** Jan. 8, 2008**

(54) **POWER SUPPLY**

D442,923 S * 5/2001 Raspotnig D13/184
D506,977 S * 7/2005 Lee D13/110

(75) Inventor: **Wen-Yuan Kuo**, Hsi-Chih (TW)

* cited by examiner

(73) Assignee: **Chinfa Electronics Ind. Co., Ltd.**,
Taipei Hsien (TW)

Primary Examiner—Prabhakar Deshmukh

Assistant Examiner—Derrick Holland

(**) Term: **14 Years**

(74) *Attorney, Agent, or Firm*—Birch, Stewart, Kolasch &
Birch, LLP

(21) Appl. No.: **29/270,401**

(57) **CLAIM**

(22) Filed: **Dec. 22, 2006**

The ornamental design for a power supply, as shown and
described.

(51) **LOC (8) Cl.** **13-02**

(52) **U.S. Cl.** **D13/110**

(58) **Field of Classification Search** D13/110,
D13/123, 162, 184, 199; D14/300, 301,
D14/407, 432; 307/151; 361/601, 603,
361/679, 683, 695, 730

See application file for complete search history.

DESCRIPTION

FIG. 1 is a perspective view of a power supply showing my
new design;

FIG. 2 is a front view thereof;

FIG. 3 is a rear view thereof;

FIG. 4 is a left view thereof;

FIG. 5 is a right view thereof;

FIG. 6 is a top view thereof; and,

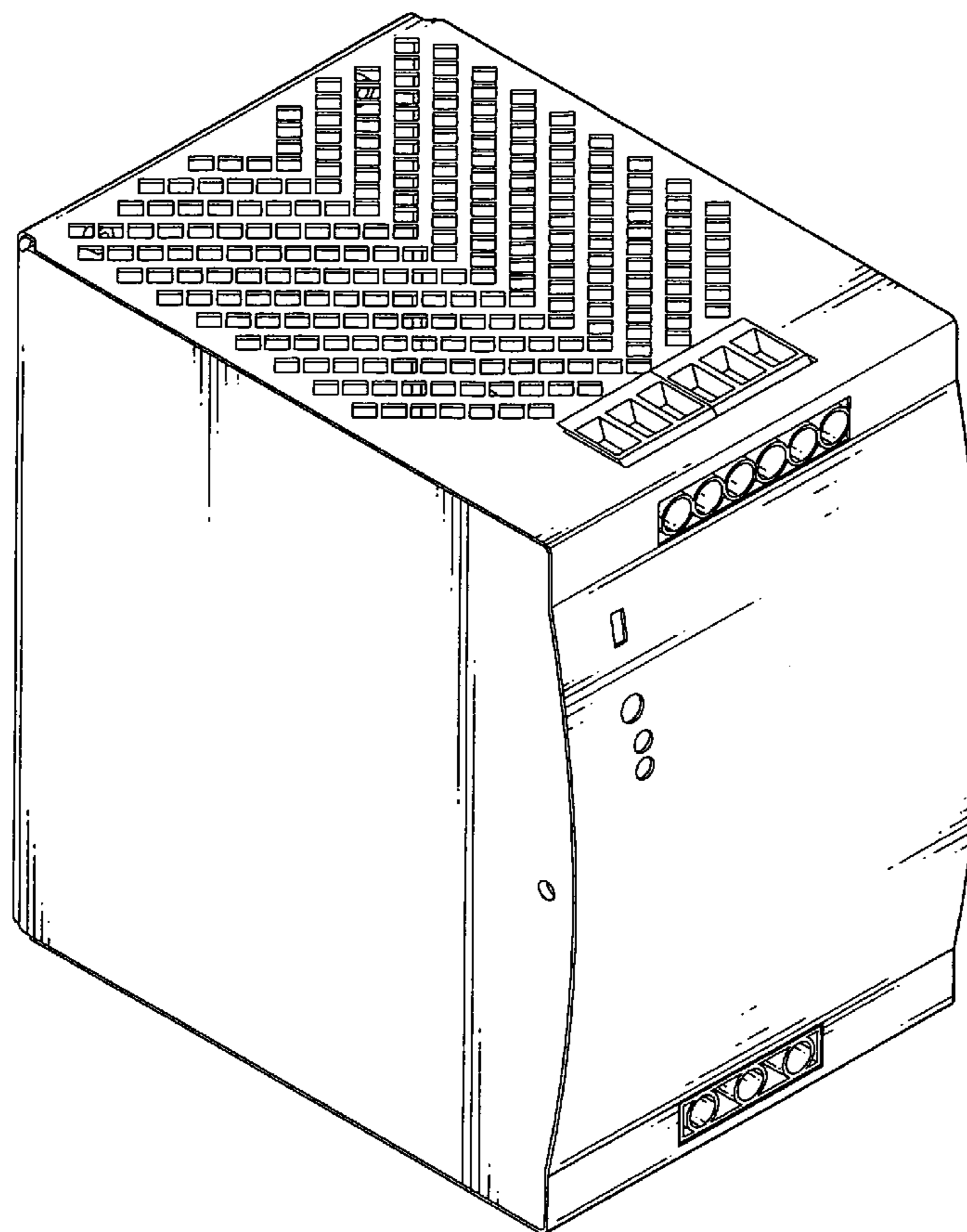
FIG. 7 is a bottom view thereof.

(56) **References Cited**

U.S. PATENT DOCUMENTS

D339,101 S * 9/1993 Delamoreaux et al. D13/110
D346,148 S * 4/1994 Chen D13/110
D376,347 S * 12/1996 Mousa D13/110
D394,842 S * 6/1998 Kellstedt et al. D13/162
D396,688 S * 8/1998 Lin D13/110

1 Claim, 4 Drawing Sheets



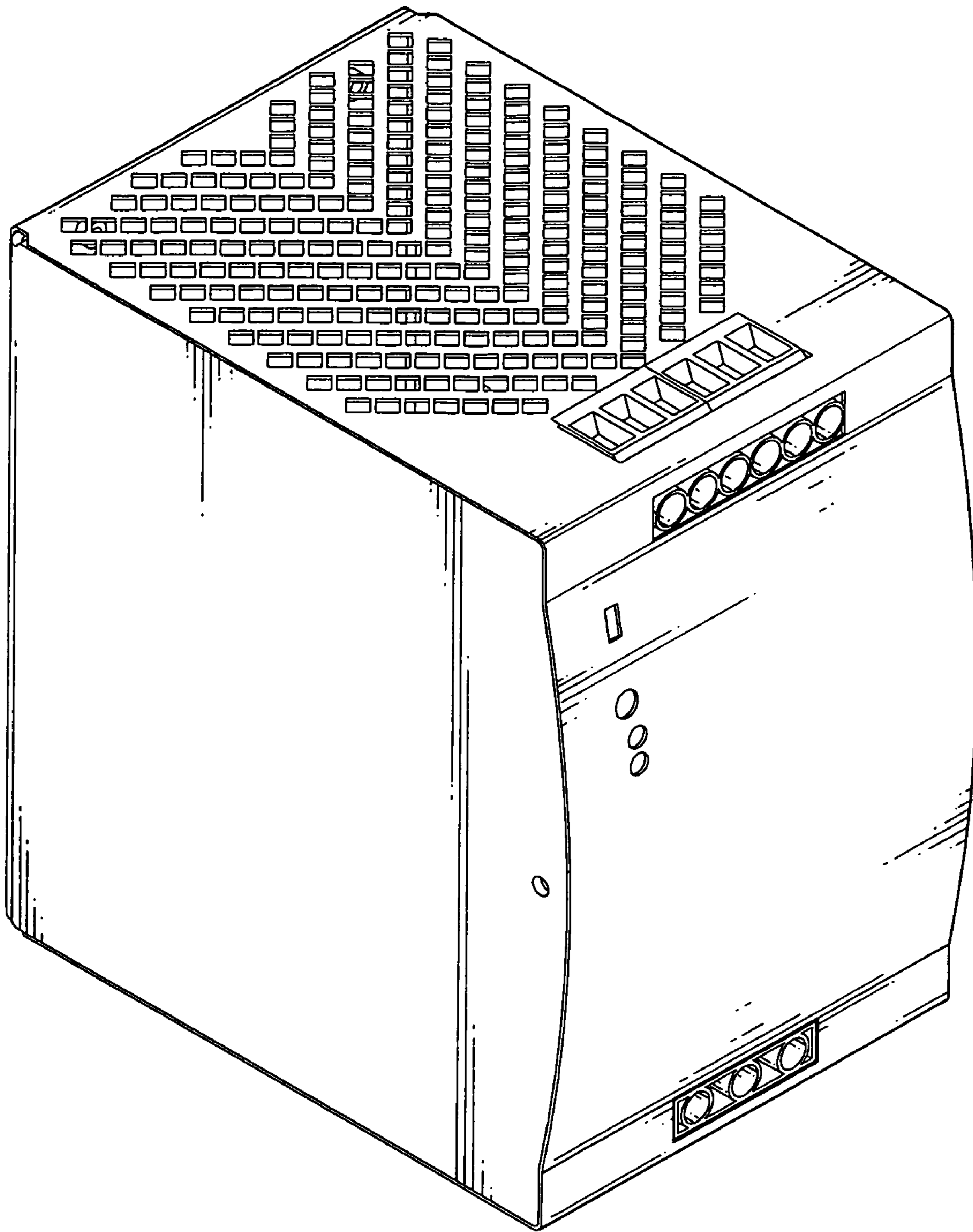


FIG. 1

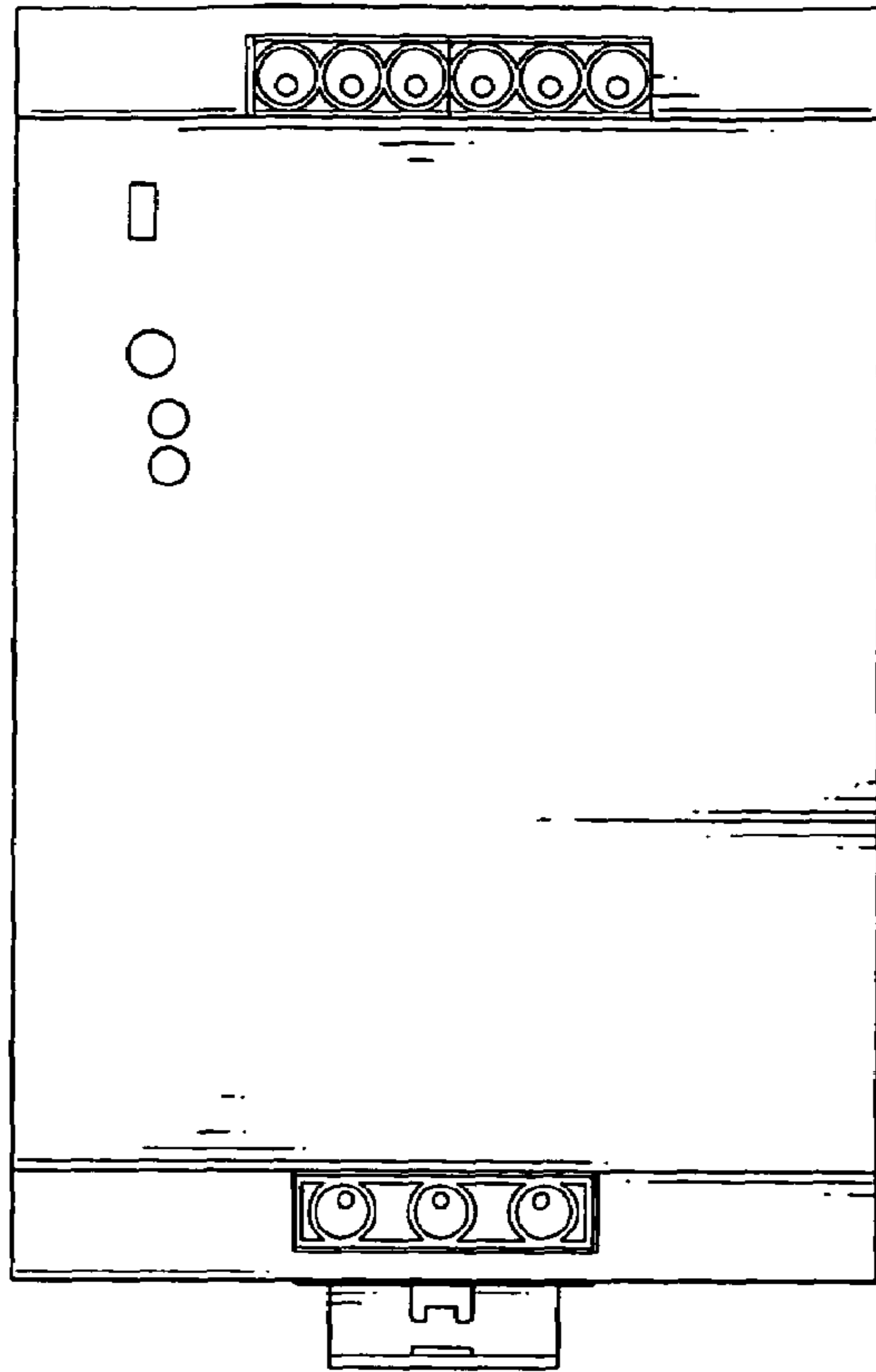


FIG. 2

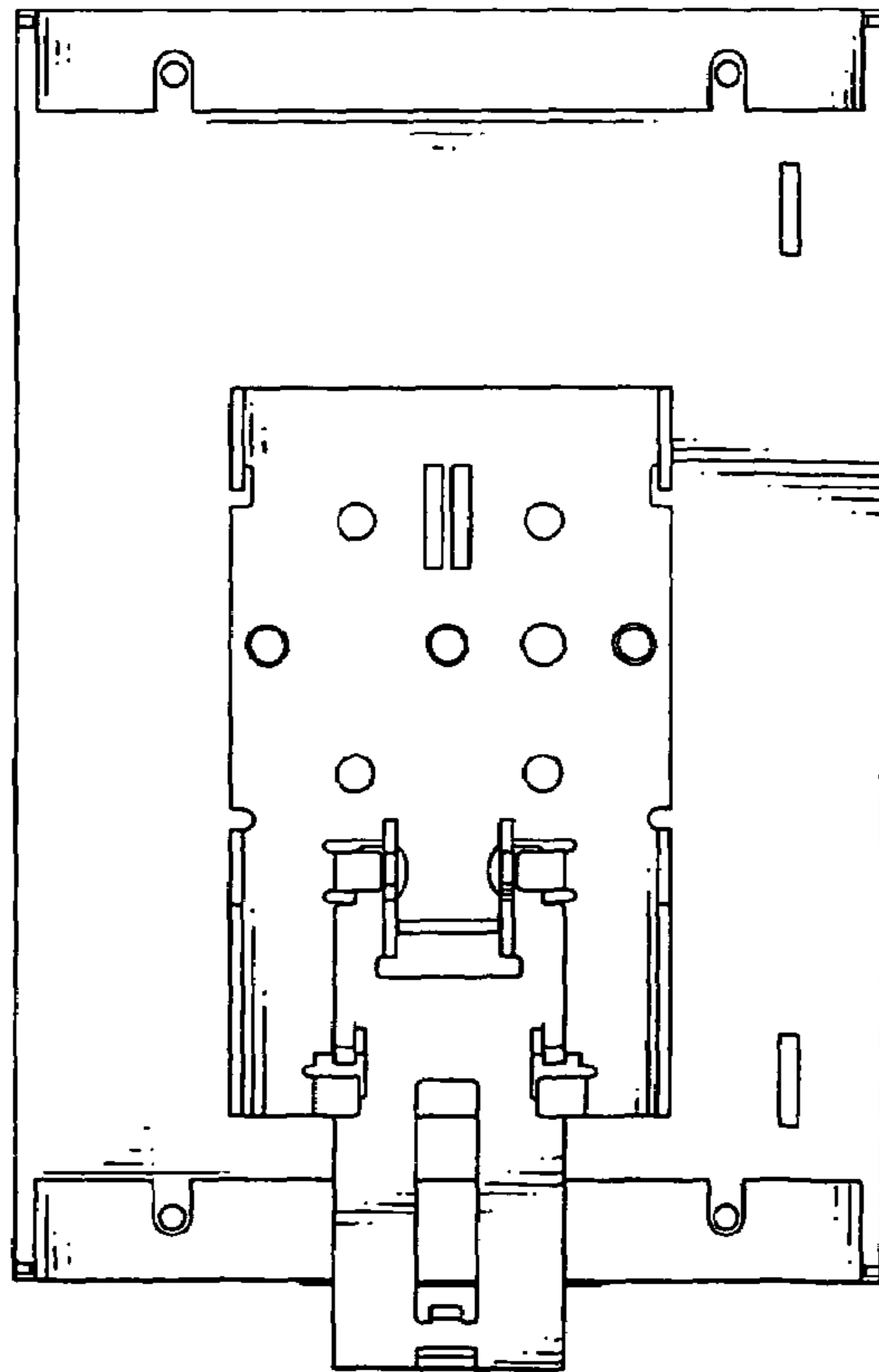


FIG. 3

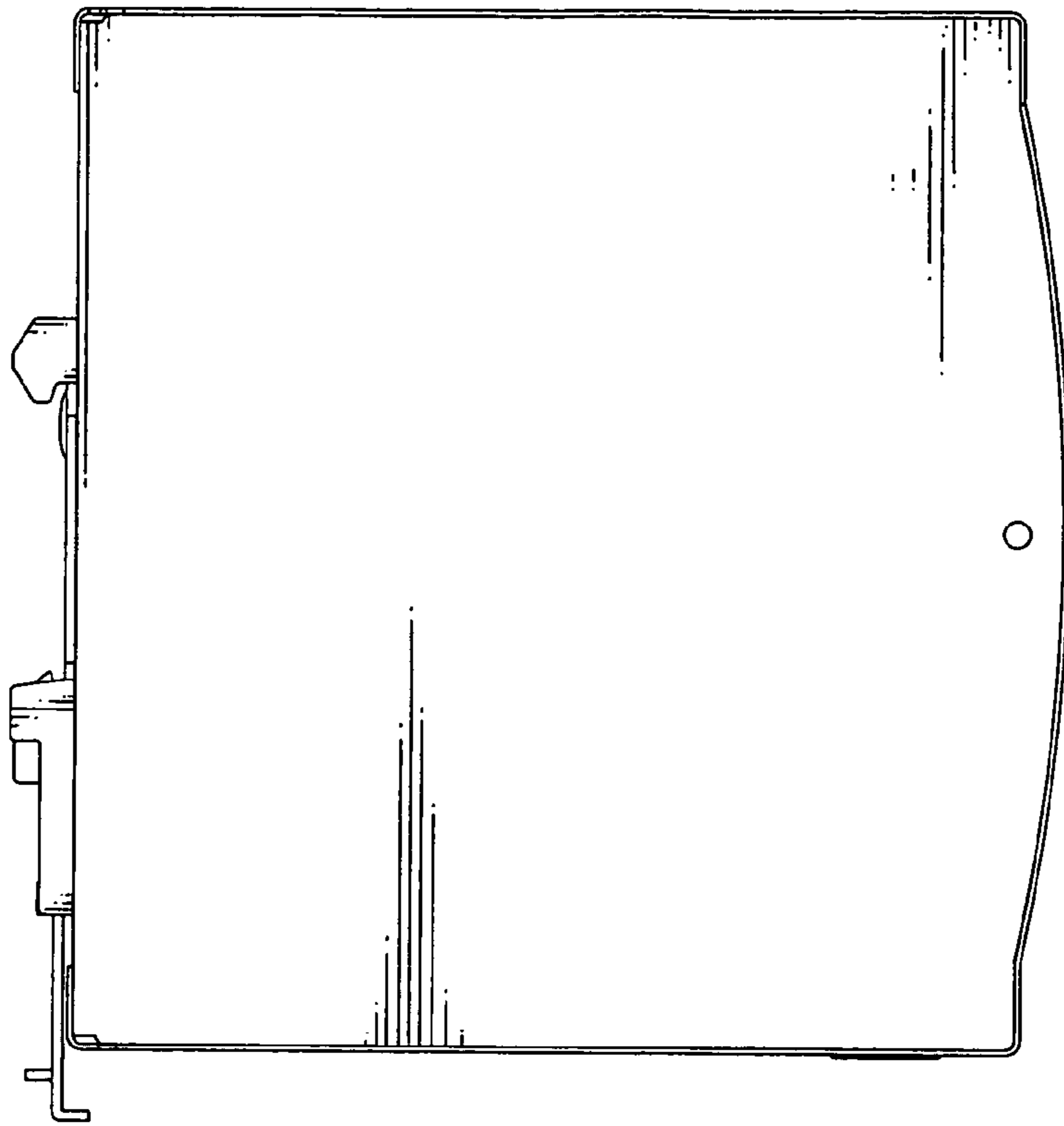


FIG. 4

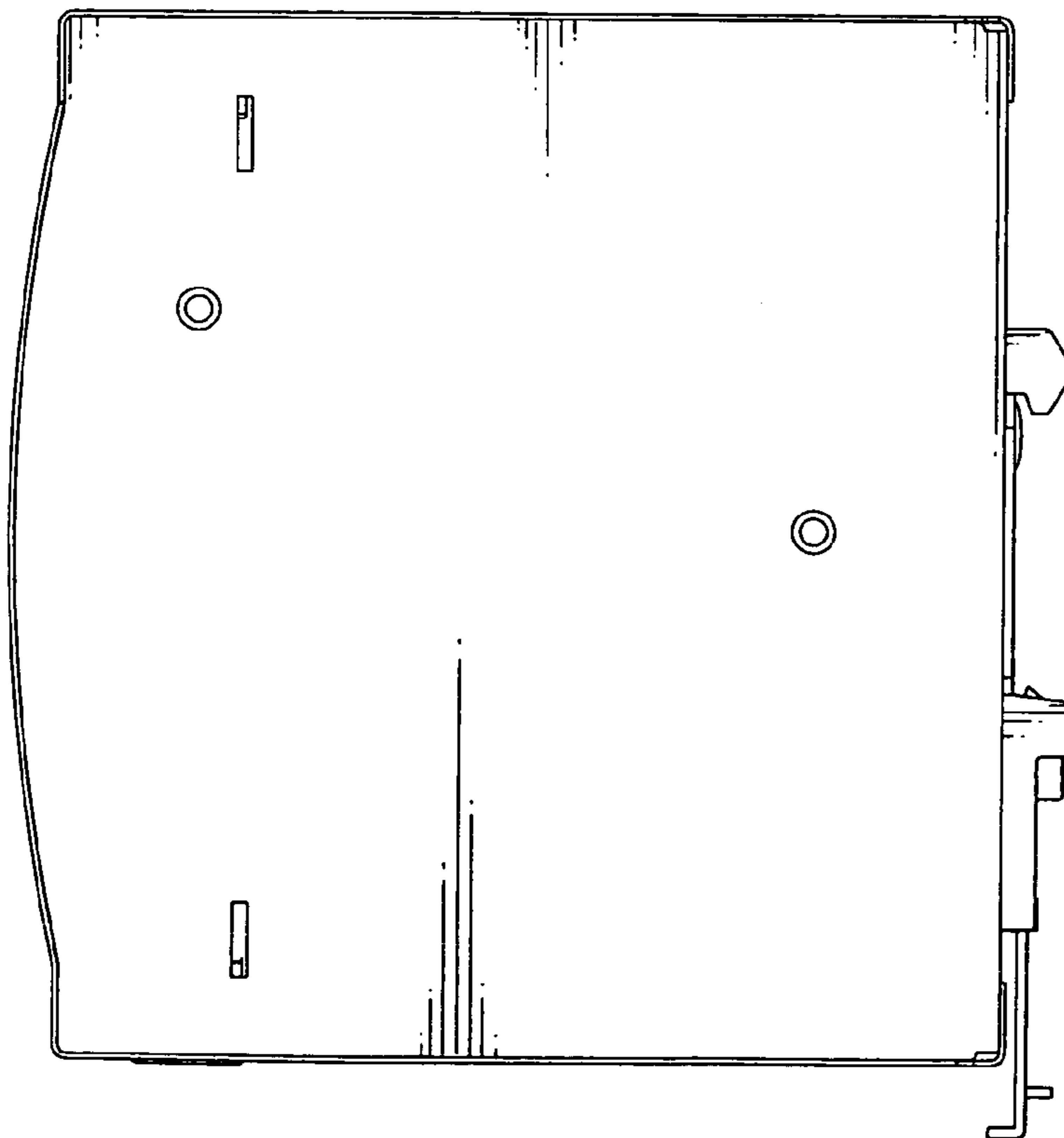


FIG. 5

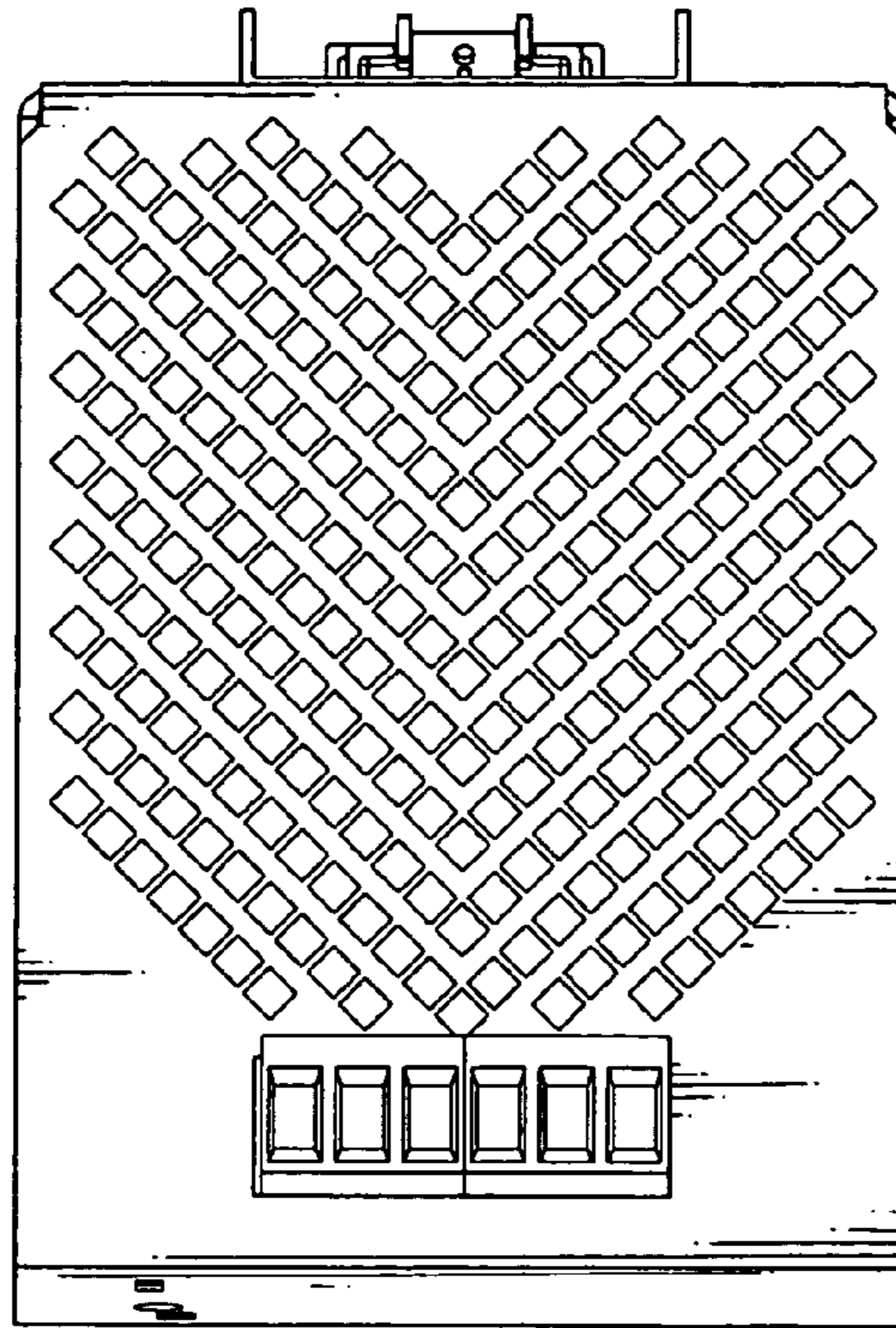


FIG. 6

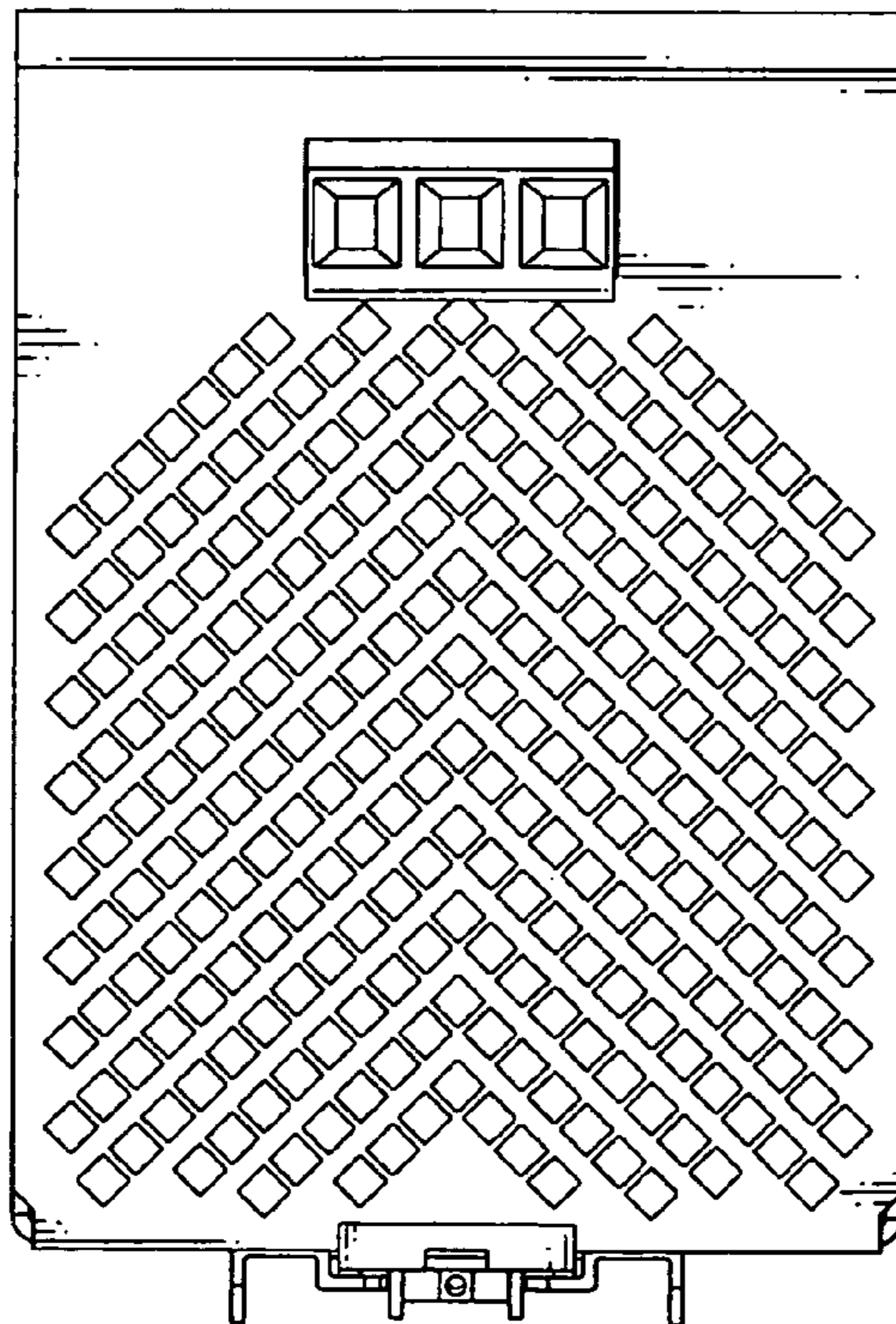


FIG. 7