



US00D559176S

(12) **United States Design Patent**
Ueda

(10) **Patent No.:** **US D559,176 S**
(45) **Date of Patent:** **** Jan. 8, 2008**

(54) **BATTERY CHARGER**

(75) Inventor: **Arinobu Ueda**, Tokyo (JP)
(73) Assignee: **Sony Corporation**, Tokyo (JP)
(**) Term: **14 Years**

(21) Appl. No.: **29/272,001**
(22) Filed: **Jan. 31, 2007**

(30) **Foreign Application Priority Data**

Nov. 17, 2006 (JP) D2006-031580

(51) **LOC (8) Cl.** **13-02**

(52) **U.S. Cl.** **D13/107**

(58) **Field of Classification Search** D13/107-110,
D13/118-119, 184; D14/251, 253, 432,
D14/434; 320/107-115

See application file for complete search history.

(56) **References Cited**

U.S. PATENT DOCUMENTS

- D278,703 S * 5/1985 Chiodo et al. D13/107
- D301,575 S * 6/1989 Crawford, Jr. D13/119
- D307,261 S 4/1990 Miki et al.
- D310,203 S 8/1990 Takahashi et al.
- D333,120 S * 2/1993 Shimoo et al. D13/107
- D339,563 S * 9/1993 Usami D13/107
- D348,427 S 7/1994 Ohmaki et al.
- D360,185 S 7/1995 Kobayashi
- D392,614 S 3/1998 Shimizu et al.
- D412,487 S * 8/1999 Nagele et al. D13/108
- D443,856 S 6/2001 Lehtovaara
- D454,837 S * 3/2002 Ibuki et al. D13/107
- D454,880 S * 3/2002 Ying et al. D14/434
- D456,004 S 4/2002 Lie
- D467,538 S 12/2002 Kawasaki
- D478,557 S * 8/2003 Pfeiffer D13/107
- D481,995 S 11/2003 Yokota
- D486,784 S 2/2004 Kawasaki
- D508,018 S 8/2005 Yokota
- D511,493 S * 11/2005 Luneau D13/108
- D519,449 S * 4/2006 Luneau D13/108
- D520,447 S * 5/2006 Liu D13/108

D546,281 S * 7/2007 Bell D13/107

FOREIGN PATENT DOCUMENTS

- JP D1070747 S 5/2000
- JP D1071207 S 5/2000
- JP D1076597 S 6/2000
- JP D1076598 S 6/2000
- JP D1078608 S 7/2000
- JP D1079699/1 S 7/2000
- JP D1079699 S 7/2000
- JP D1079700/1 S 7/2000
- JP D1079700/2 S 7/2000
- JP D1079700 S 7/2000
- JP D1083414 S 8/2000
- JP D1114489 S 7/2001
- JP D1125656 S 11/2001
- JP D1125771 S 11/2001
- JP D1158813 S 11/2002
- JP D1190073 S 11/2003
- JP D1206468 S 5/2004
- JP D1207466 S 6/2004
- JP D1207509 S 6/2004

* cited by examiner

Primary Examiner—Cathron C. Brooks
Assistant Examiner—Rosemary K. Tarcza
(74) *Attorney, Agent, or Firm*—Rader, Fishman & Grauer, PLLC

(57) **CLAIM**

The ornamental design for a battery charger, as shown.

DESCRIPTION

FIG. 1 is a top, front, right perspective view of a battery charger showing my new design.

FIG. 2 is a front elevational view thereof;

FIG. 3 is a rear elevational view thereof;

FIG. 4 is a left side elevational view thereof;

FIG. 5 is a right side elevational view thereof;

FIG. 6 is a top plan view thereof; and,

FIG. 7 is a bottom plan view thereof.

1 Claim, 7 Drawing Sheets

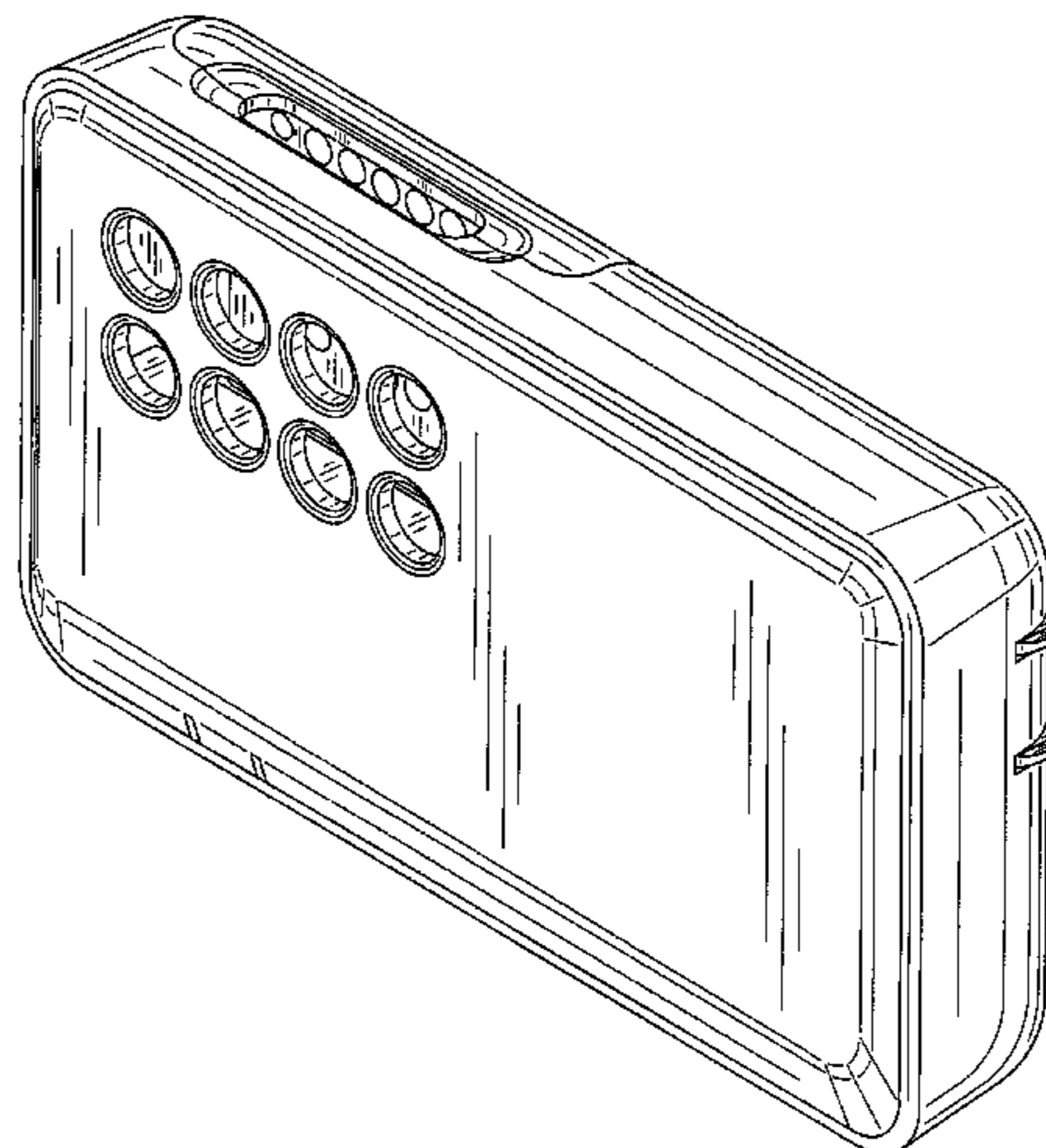


Fig. 1

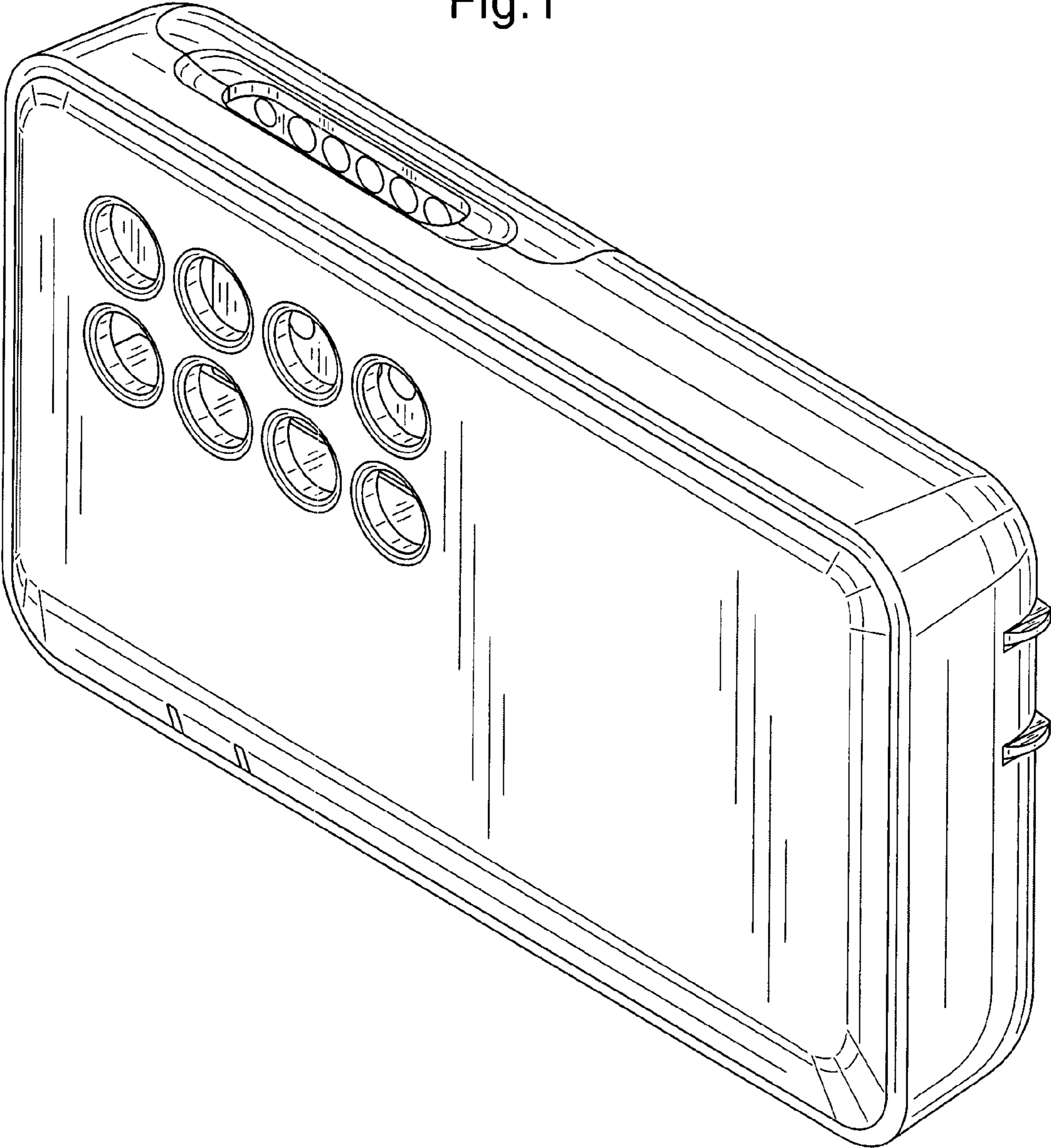


Fig.2

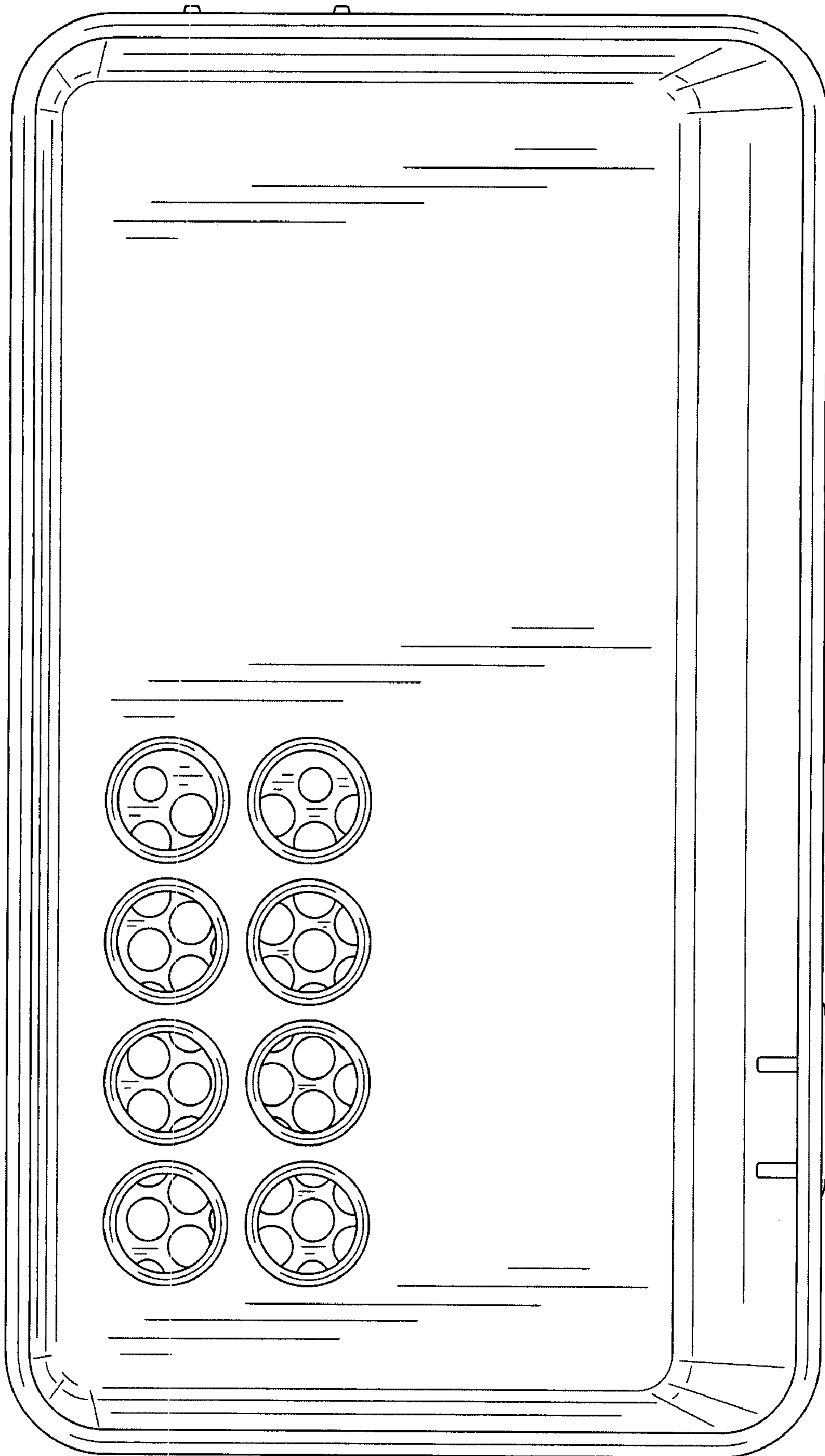


Fig.3

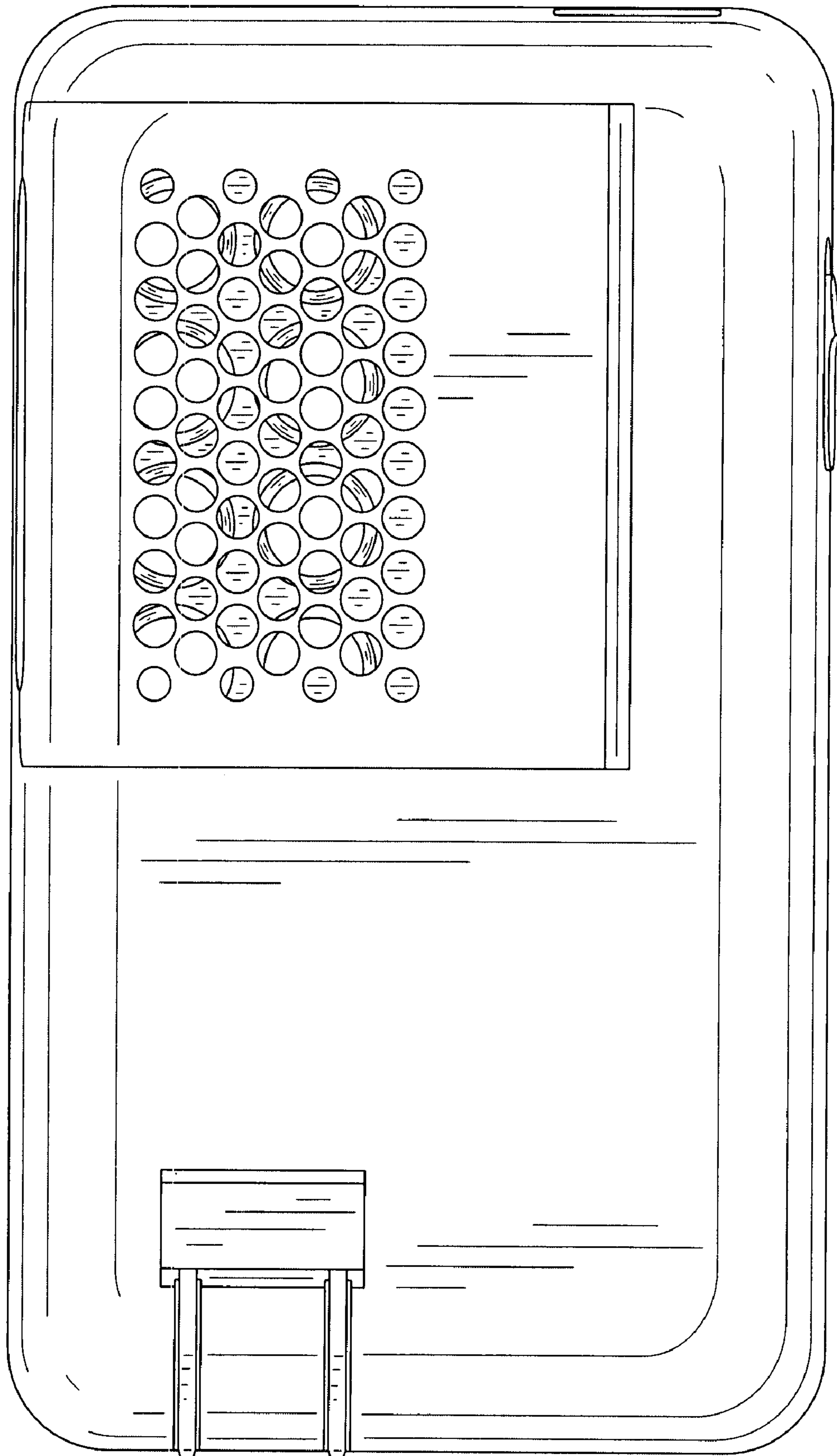


Fig. 4

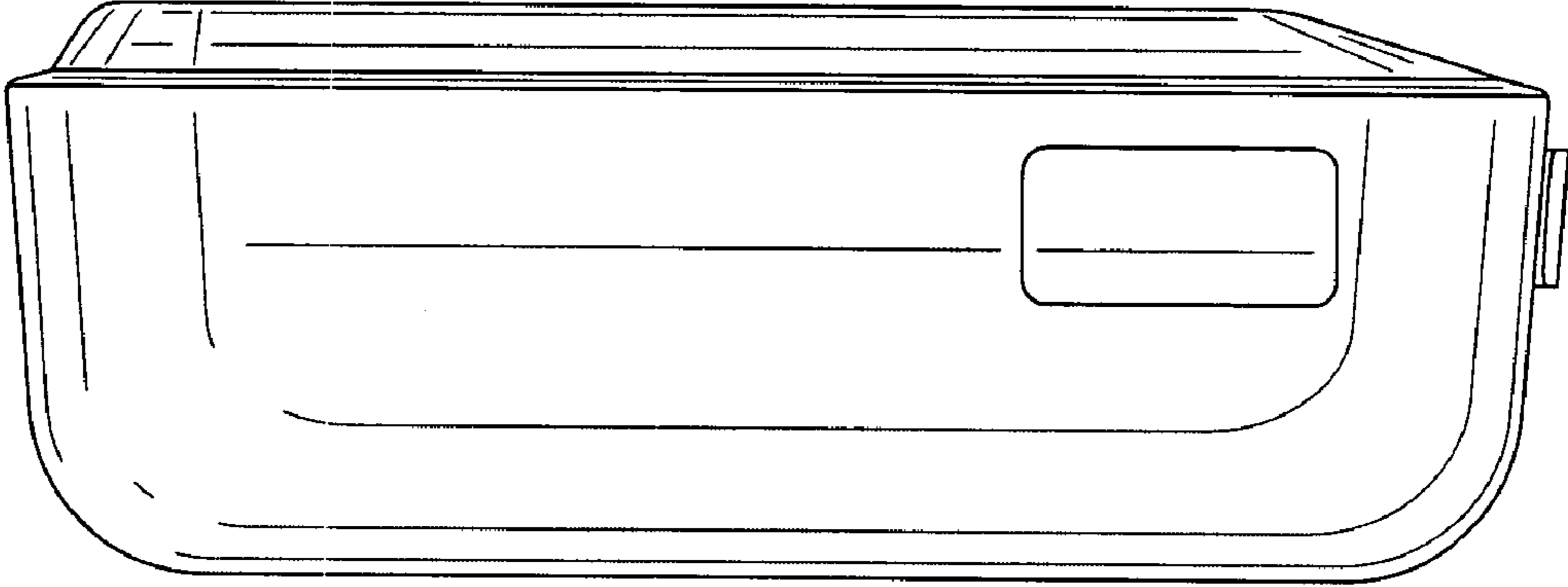


Fig. 5

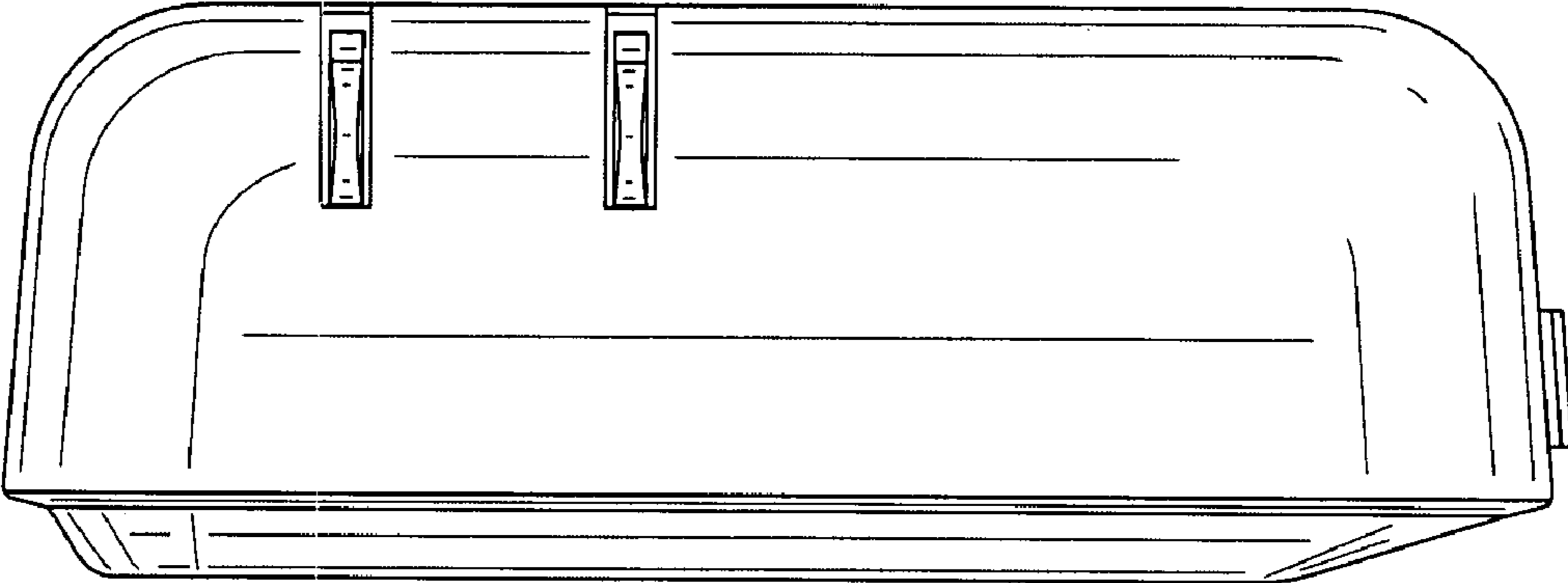


Fig. 6

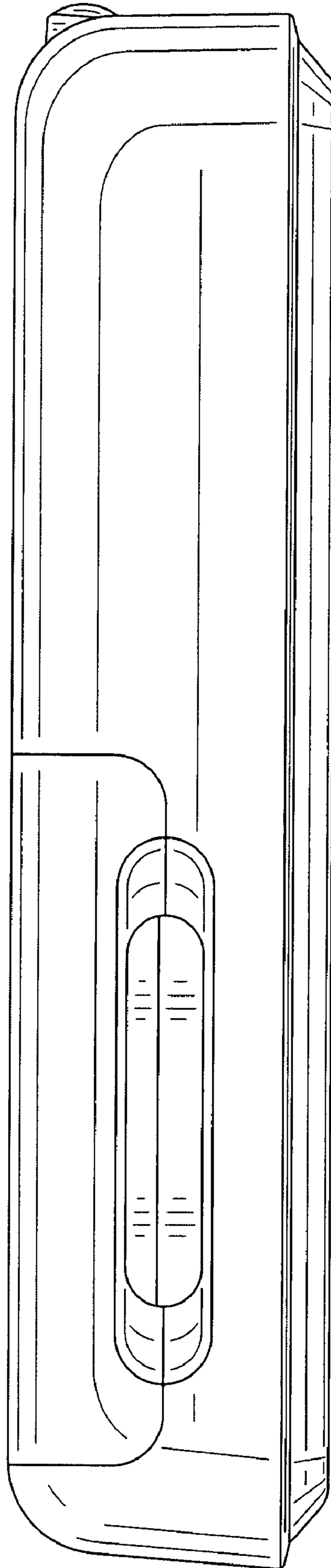


Fig. 7

