



US00D559175S

(12) **United States Design Patent**  
**Houghton**

(10) **Patent No.:** **US D559,175 S**

(45) **Date of Patent:** **\*\* Jan. 8, 2008**

(54) **BATTERY PACK**

(75) Inventor: **Stephen Houghton**, Newcastle Upon Tyne (GB)

(73) Assignee: **Black & Decker Inc**, Newark, DE (US)

(\*\*) Term: **14 Years**

(21) Appl. No.: **29/273,889**

(22) Filed: **Mar. 15, 2007**

(51) **LOC (8) Cl.** ..... **13-02**

(52) **U.S. Cl.** ..... **D13/103**

(58) **Field of Classification Search** ..... D13/102–106,  
D13/110, 118–119, 184; 429/96–100, 163,  
429/176

See application file for complete search history.

(56) **References Cited**

**U.S. PATENT DOCUMENTS**

D436,917 S *	1/2001	Hayakawa et al. ....	D13/103
D477,811 S *	7/2003	Niwa et al. ....	D13/103
D481,672 S *	11/2003	Niwa et al. ....	D13/103
D512,373 S *	12/2005	Tsai et al. ....	D13/108
D512,961 S *	12/2005	Okuda et al. ....	D13/103
D516,020 S *	2/2006	Wong et al. ....	D13/103
D516,504 S *	3/2006	Okuda et al. ....	D13/103
D523,807 S *	6/2006	Murayama et al. ....	D13/103
D524,728 S *	7/2006	Watson ....	D13/103
D535,250 S *	1/2007	Watson ....	D13/103
D537,408 S *	2/2007	Aglassinger ....	D13/103
D545,759 S *	7/2007	Ino et al. ....	D13/103

D550,152 S \* 9/2007 Okuda et al. .... D13/103

\* cited by examiner

*Primary Examiner*—Cathron Brooks

*Assistant Examiner*—Rosemary K Tarcza

(74) *Attorney, Agent, or Firm*—John Yun; Bruce S. Shapiro; Wesley Muller

(57) **CLAIM**

The ornamental design for a battery pack, as shown and described.

**DESCRIPTION**

FIG. 1 is a top perspective view of a battery pack showing my new design;

FIG. 2 is a right side view of a battery pack according to FIG. 1;

FIG. 3 is a left side view of a battery pack according to FIG. 1;

FIG. 4 is a front view of a battery pack according to FIG. 1;

FIG. 5 is a rear view of a battery pack according to FIG. 1;

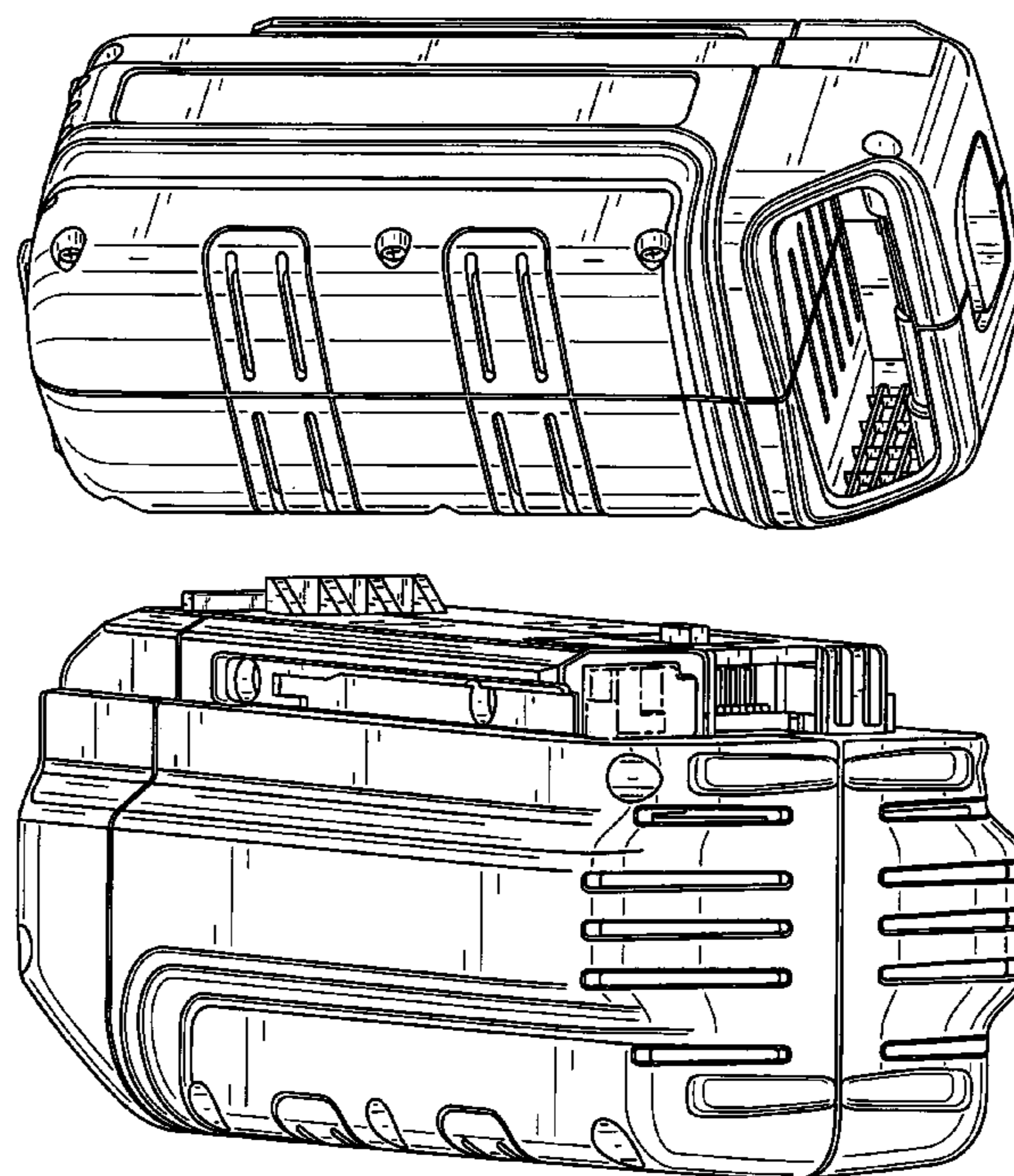
FIG. 6 is a bottom view of a battery pack according to FIG. 1;

FIG. 7 is a top view of a battery pack according to FIG. 1; and,

FIG. 8 is a bottom perspective view of a battery pack of FIG. 1.

The broken line showing is included for the purpose of illustrating environmental features and forms no part of the claimed design.

**1 Claim, 5 Drawing Sheets**



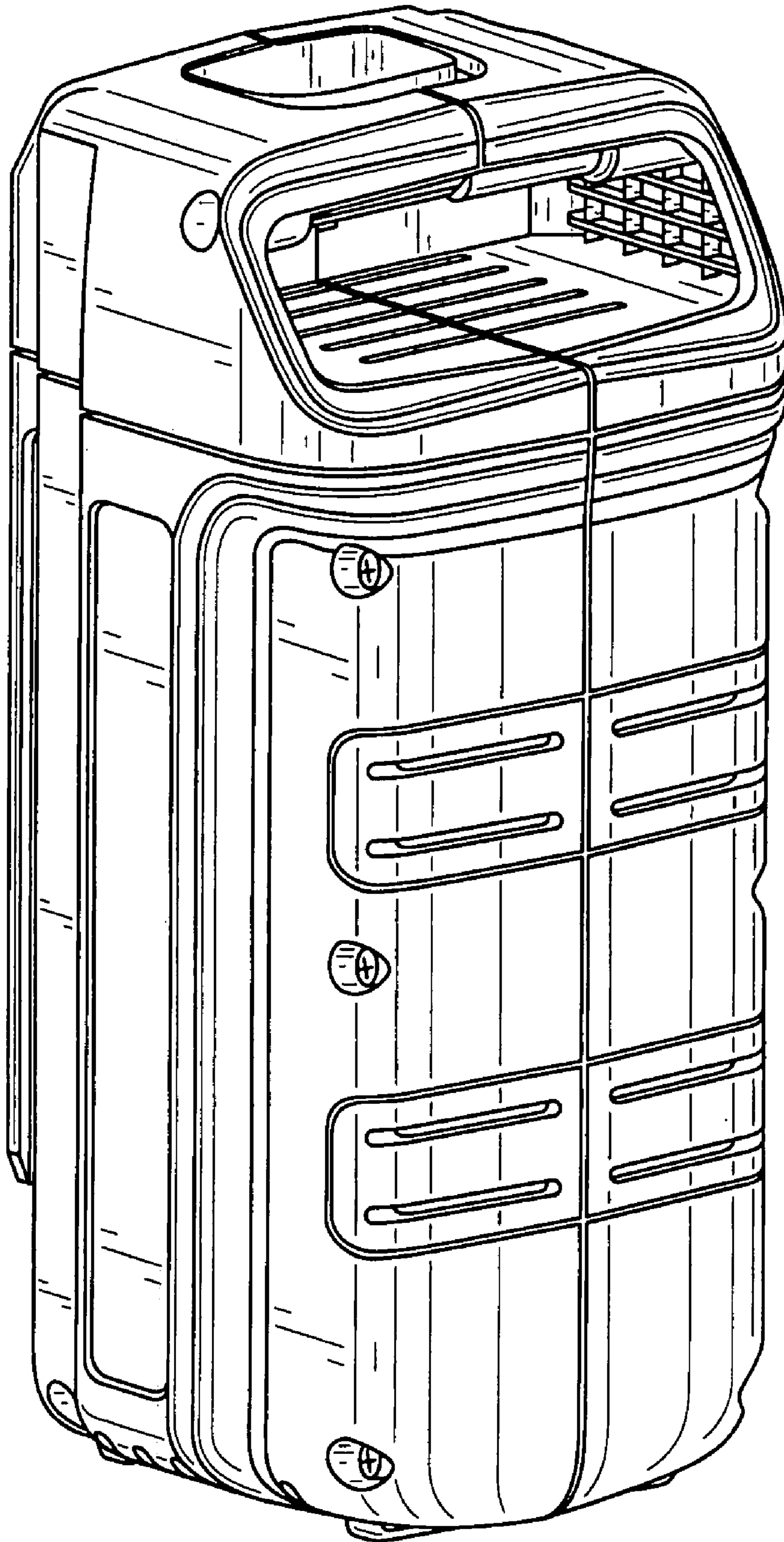


FIG. 1

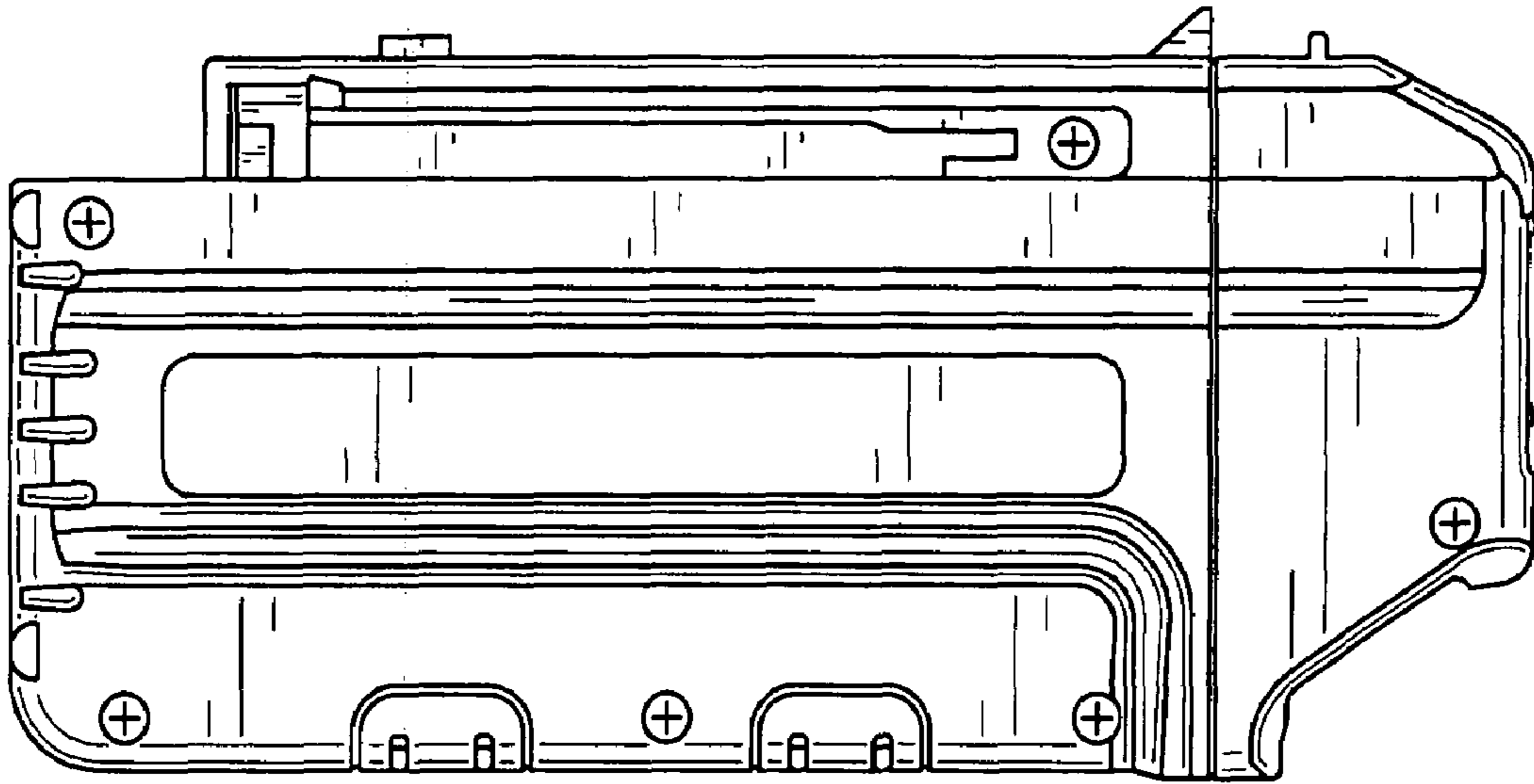


FIG. 2

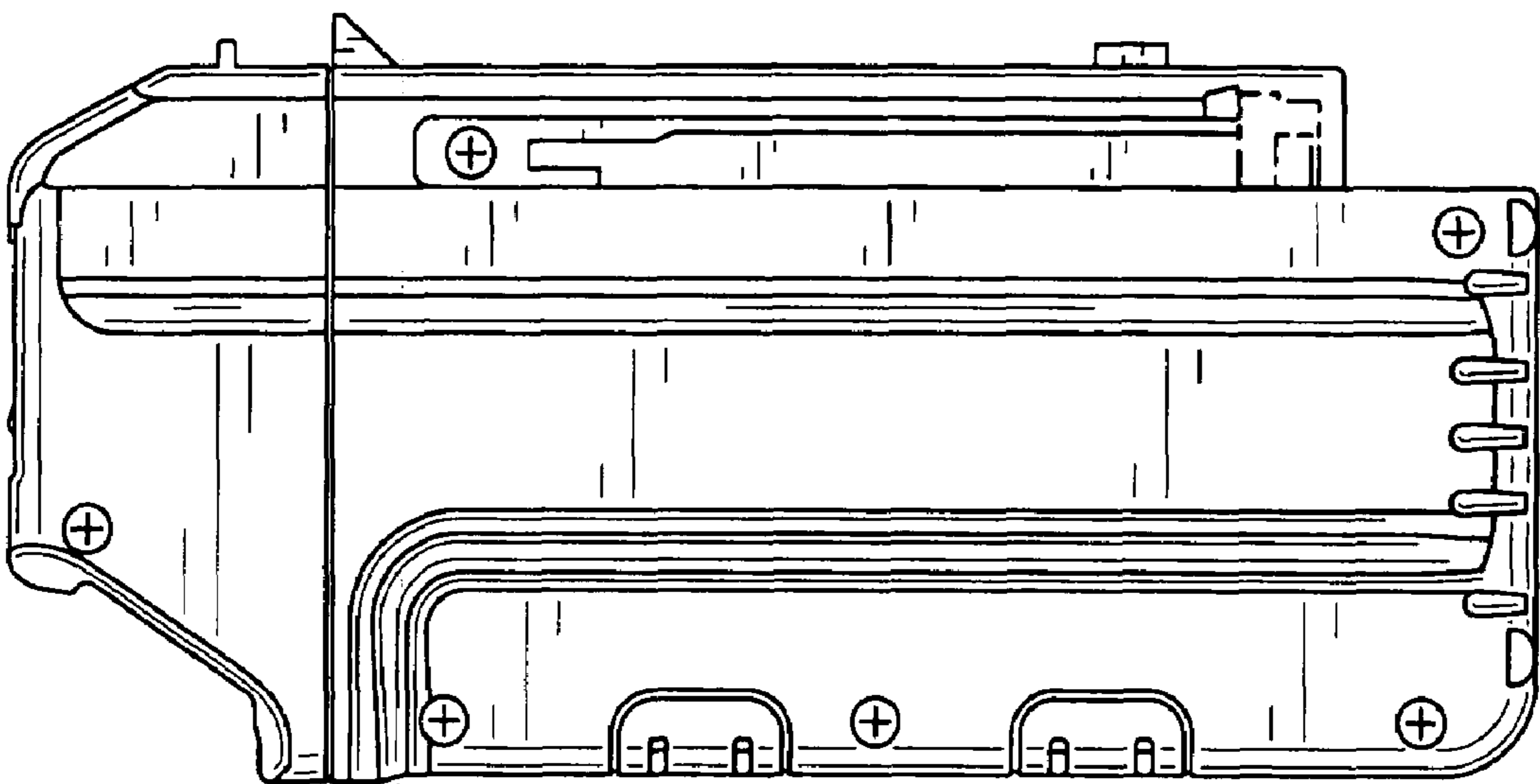


FIG. 3

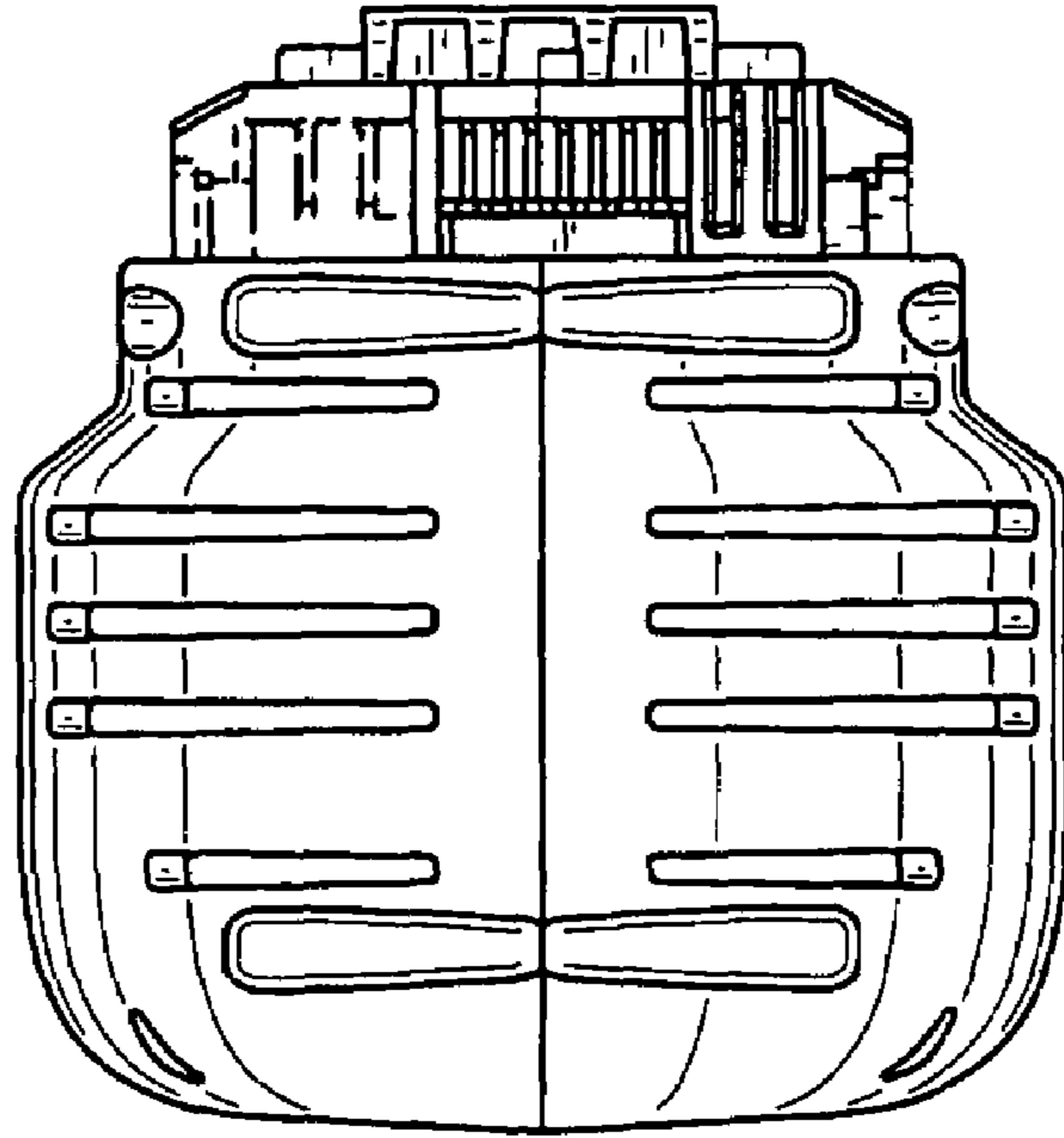


FIG. 4

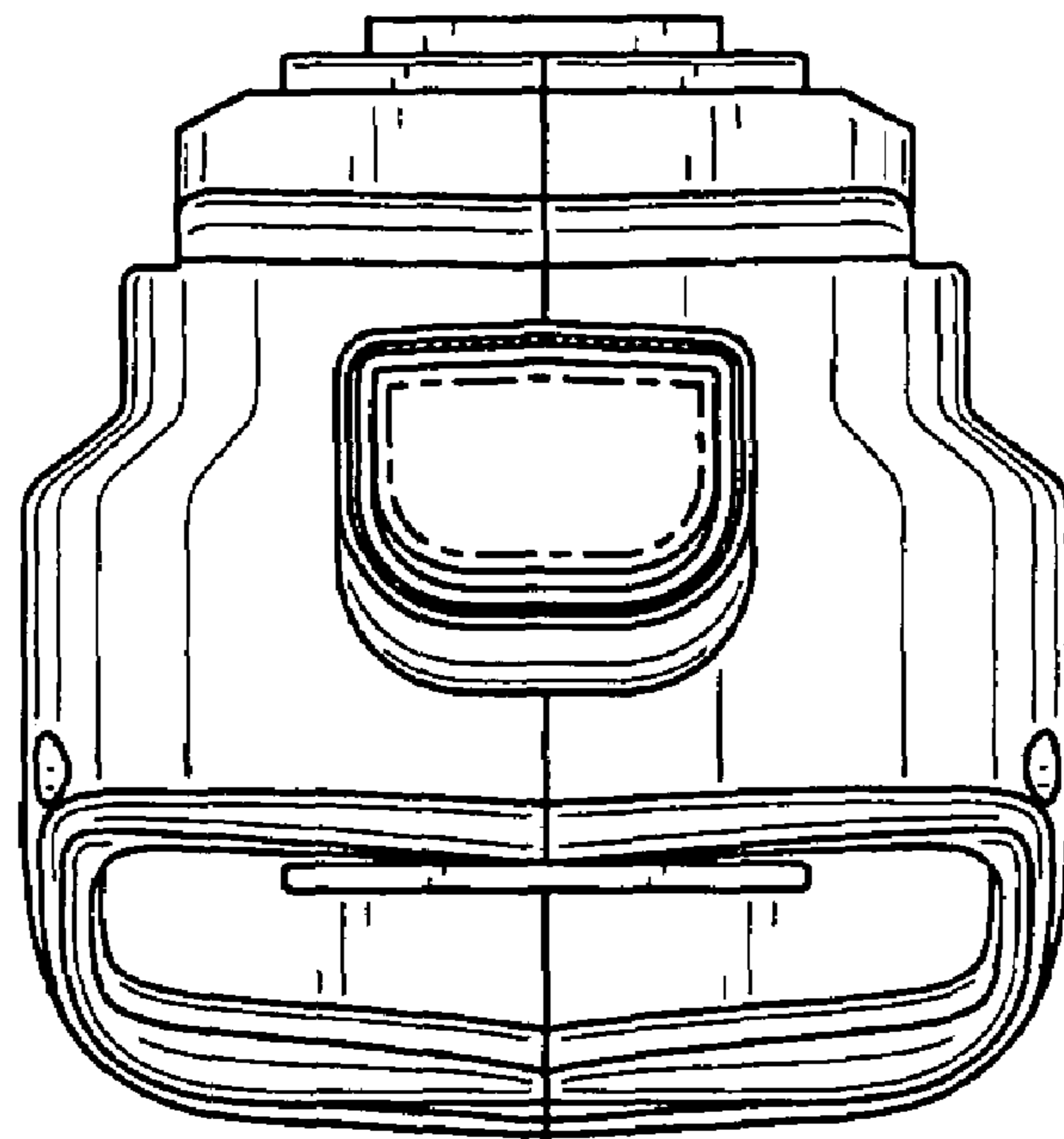


FIG. 5

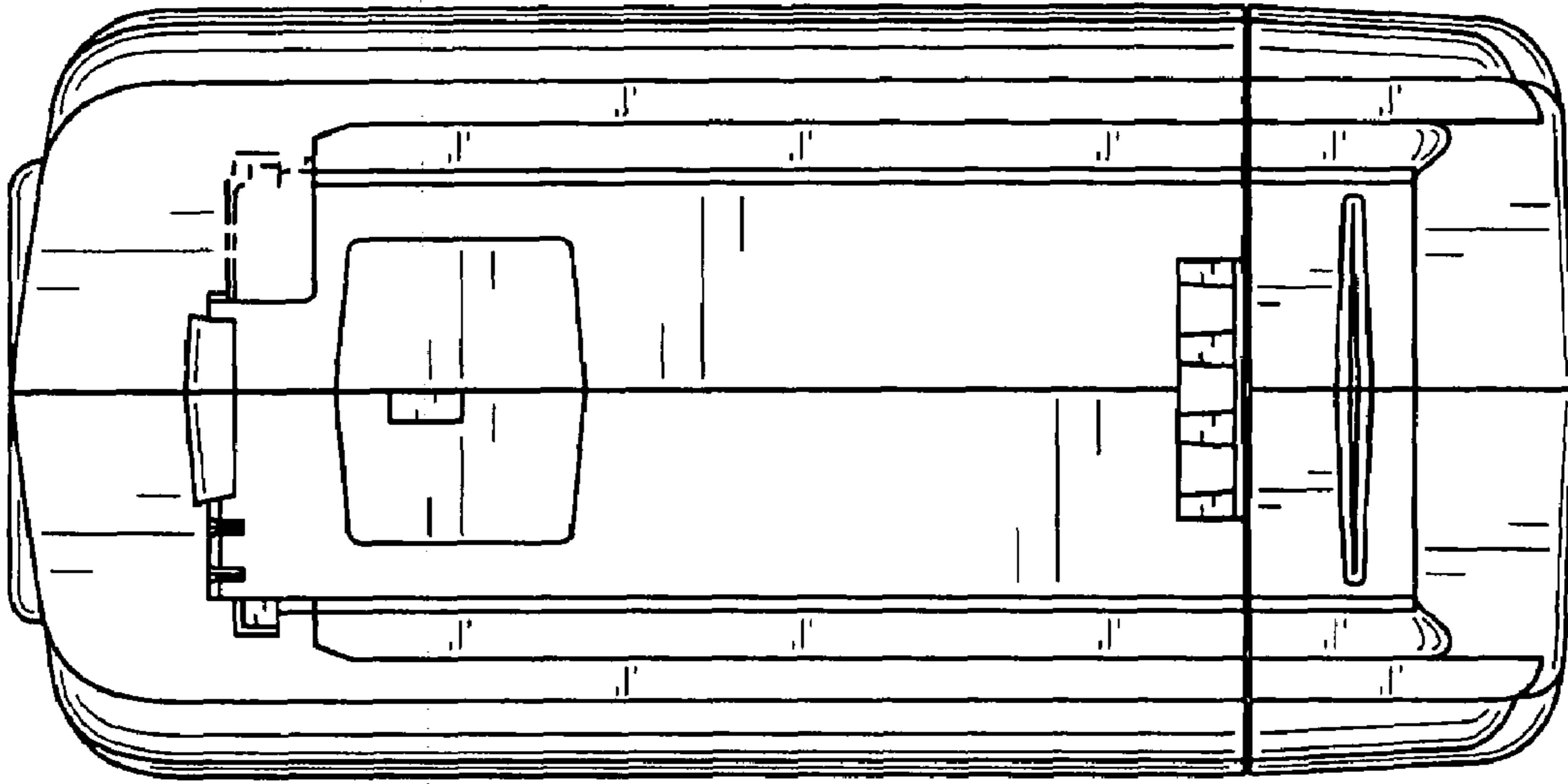


FIG. 6

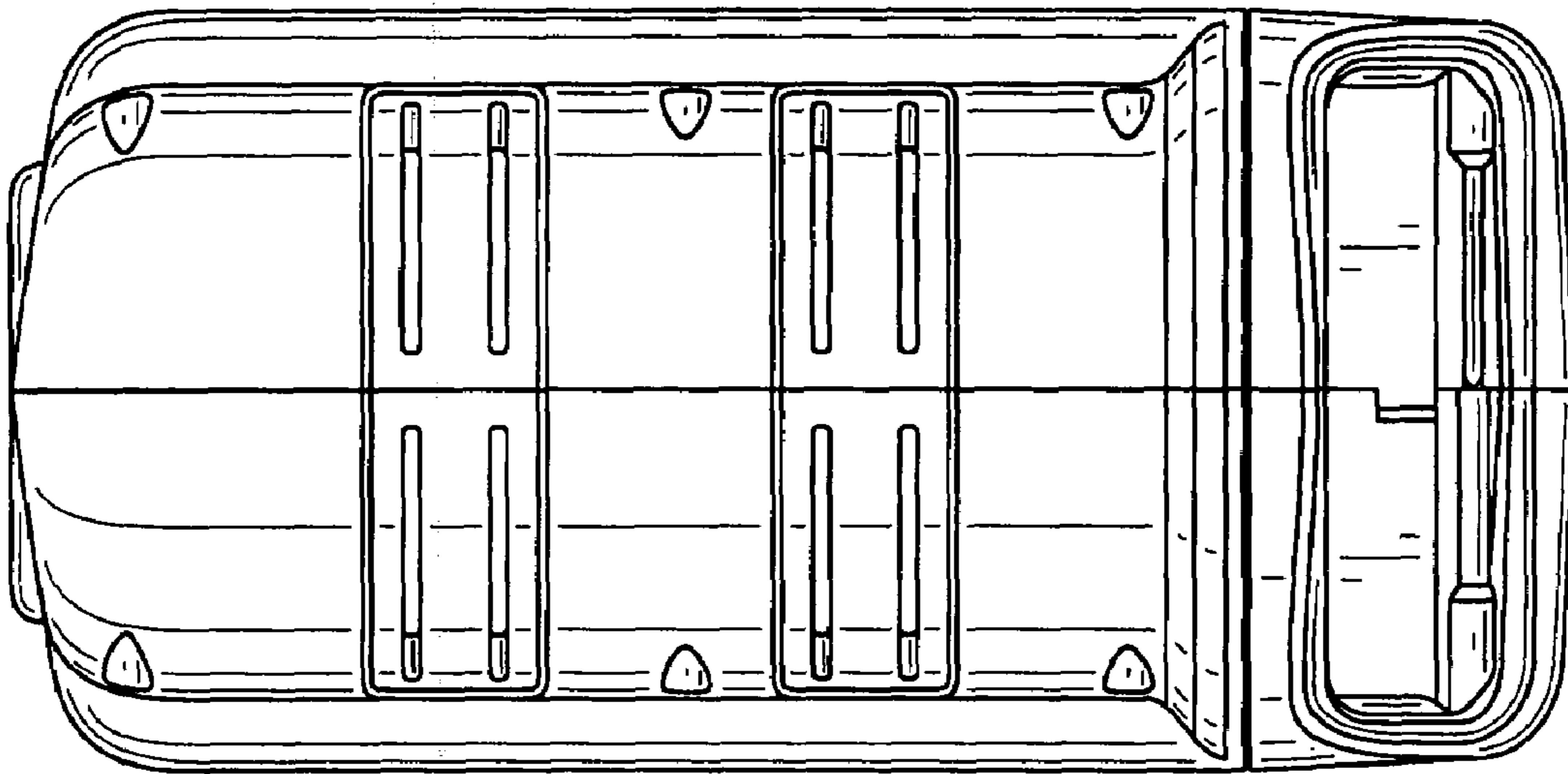


FIG. 7

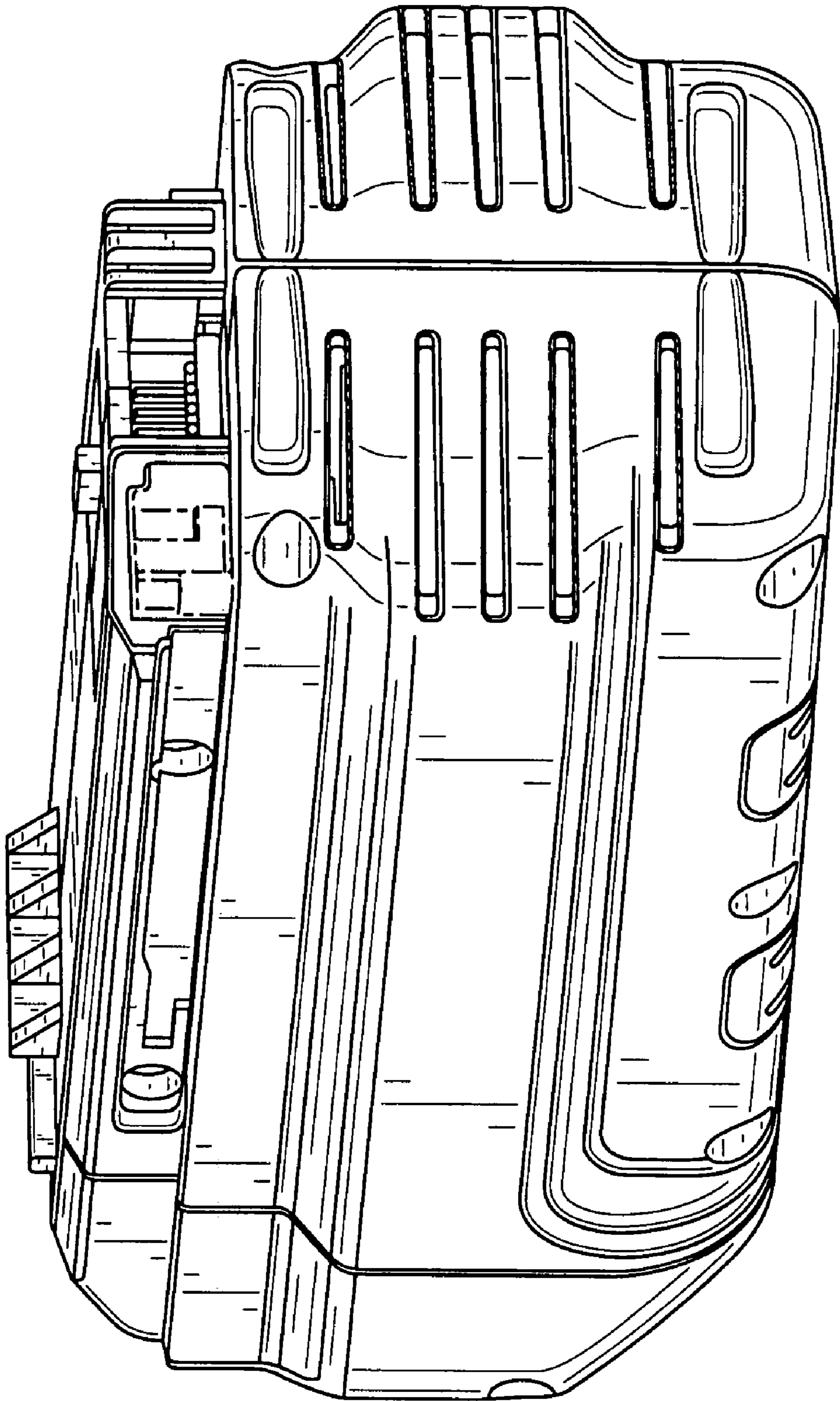


FIG. 8