



US00D559167S

(12) **United States Design Patent**
Krenz et al.

(10) **Patent No.:** **US D559,167 S**

(45) **Date of Patent:** **** Jan. 8, 2008**

(54) **TIRE TREAD**

(75) Inventors: **Dieter Rolf Juergen Krenz,**
Linsengericht (DE); **Oliver Knispel,**
Gelnhausen-Hailer (DE)

(73) Assignee: **The Goodyear Tire & Rubber**
Company, Akron, OH (US)

(**) Term: **14 Years**

(21) Appl. No.: **29/269,739**

(22) Filed: **Dec. 7, 2006**

(51) **LOC (8) Cl.** **12-15**

(52) **U.S. Cl.** **D12/521; D12/524**

(58) **Field of Classification Search** D12/505-509,
D12/512-519, 521-532, 535, 900, 901; 152/209.1,
152/209.8-209.13, 209.25, 455
See application file for complete search history.

(56) **References Cited**

U.S. PATENT DOCUMENTS

D365,789 S *	1/1996	Lassan et al.	D12/519
D390,817 S	2/1998	Graas et al.	D12/147
D403,996 S *	1/1999	Espinasse et al.	D12/524
D483,004 S *	12/2003	Schomburg et al.	D12/518
D490,045 S	5/2004	Delu et al.	D12/519
D490,047 S	5/2004	Heinen et al.	D12/524
D490,048 S	5/2004	Heinen et al.	D12/524
D490,049 S	5/2004	Heinen et al.	D12/524
D512,012 S *	11/2005	Delu et al.	D12/517
D512,013 S	11/2005	Delu et al.	D12/521
D515,021 S *	2/2006	Delu et al.	D12/524

D517,976 S *	3/2006	Raatikainen	D12/518
D524,231 S *	7/2006	Marazzi et al.	D12/521
D524,232 S *	7/2006	Heinen et al.	D12/521
D524,233 S *	7/2006	Marazzi et al.	D12/521
D524,236 S *	7/2006	Marazzi et al.	D12/524
D531,108 S *	10/2006	Marazzi et al.	D12/523
D545,264 S *	6/2007	Takahashi et al.	D12/532
D546,272 S *	7/2007	Shinohara et al.	D12/521

* cited by examiner

Primary Examiner—Stacia Cadmus

(74) *Attorney, Agent, or Firm*—Richard B. O’Planick

(57) **CLAIM**

The ornamental design for a tire tread, as shown and described.

DESCRIPTION

FIG. 1 is a perspective view of a tire tread showing our new design, it being understood that the pattern repeats uniformly throughout the circumference of the tread;

FIG. 2 is a front elevational view thereof;

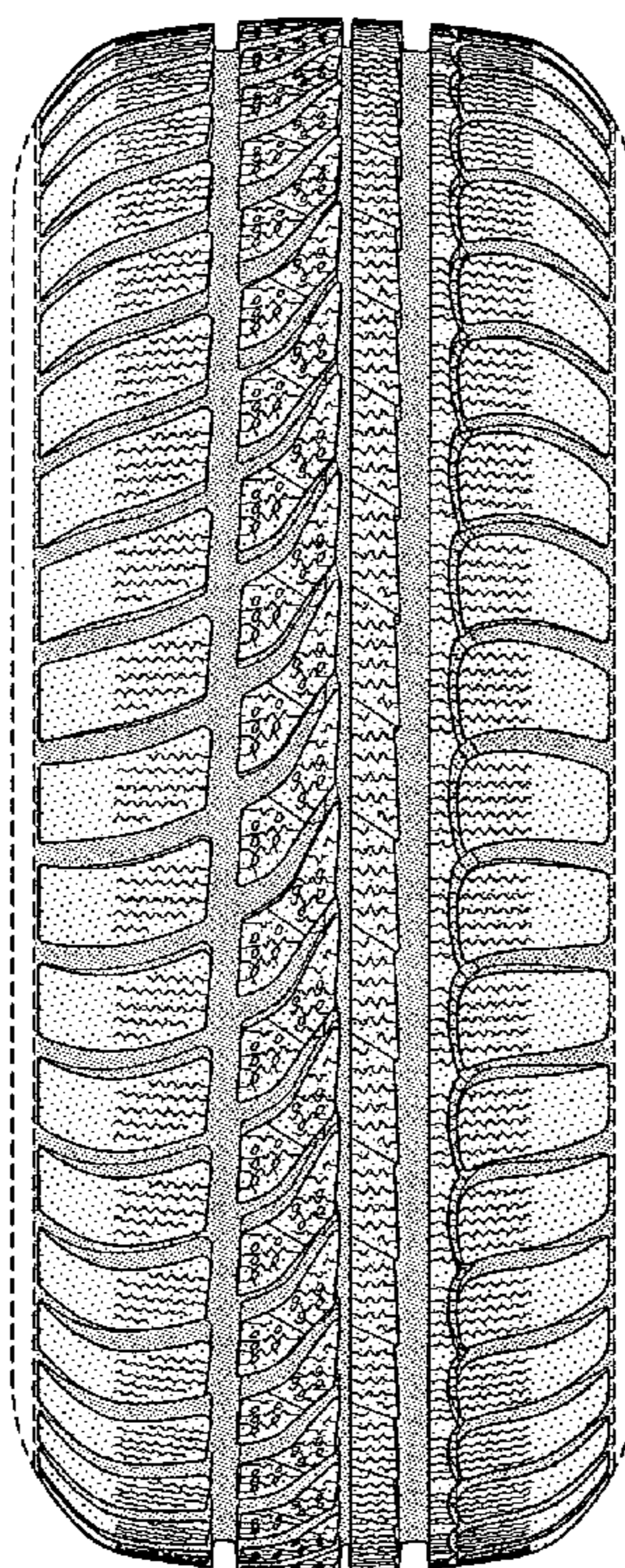
FIG. 3 is a right side elevational view thereof;

FIG. 4 is a left side elevational view thereof; and,

FIG. 5 is an enlarged fragmentary front elevational view thereof.

In the drawings, the broken lines defining the sidewall, inner bead and the peripheral boundary between the tire tread and the sidewall are for illustrative purposes only and form no part of the claimed design.

1 Claim, 5 Drawing Sheets



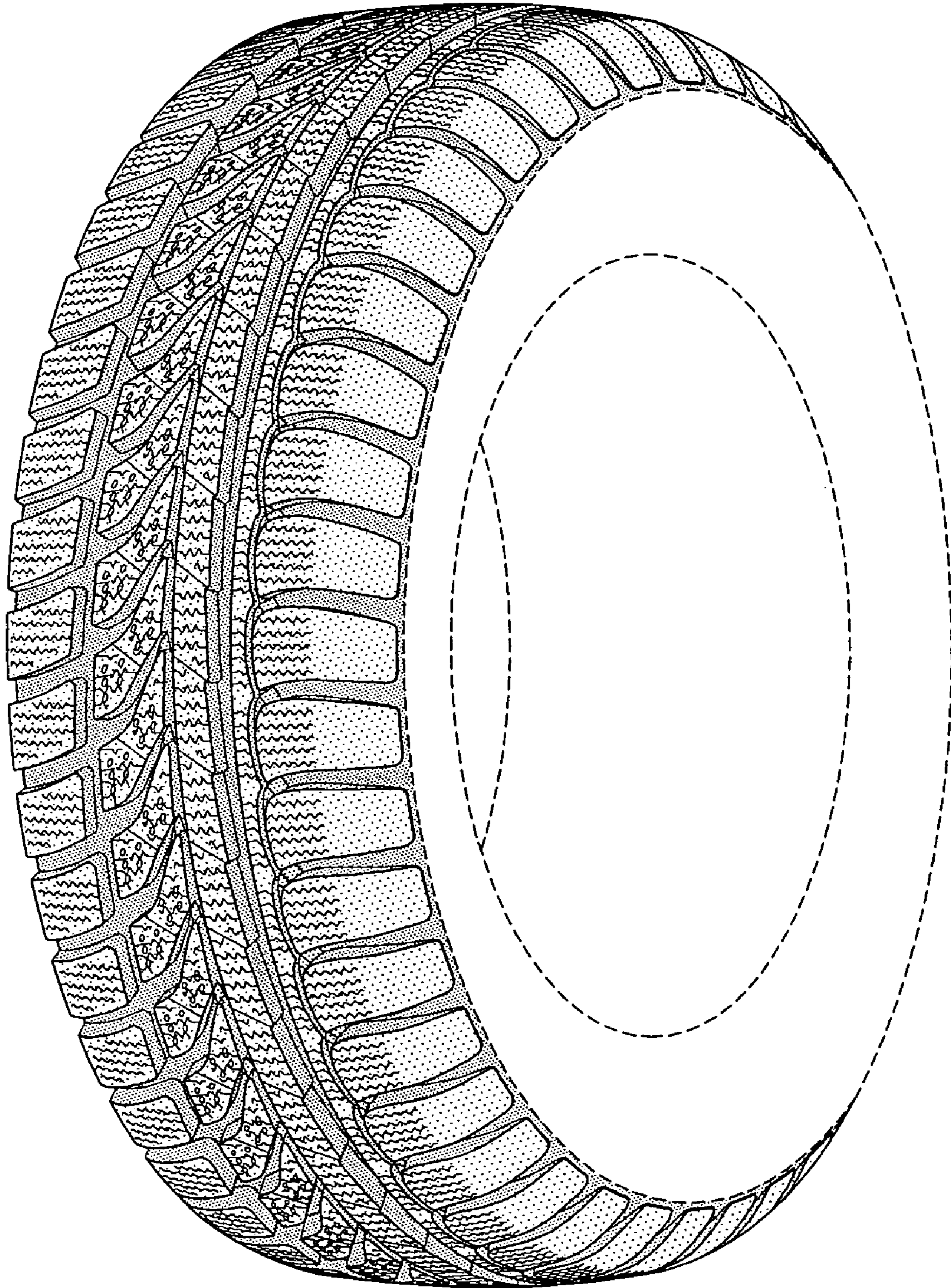


FIG-1

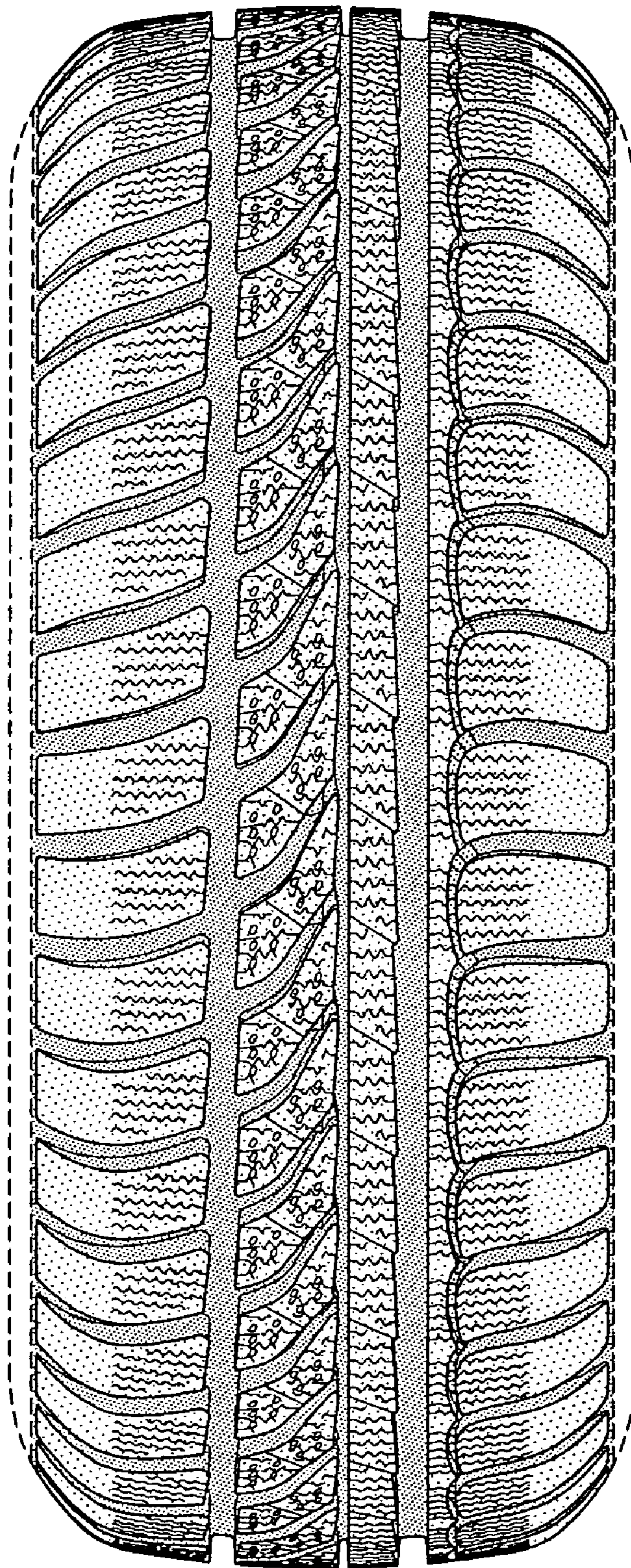


FIG-2

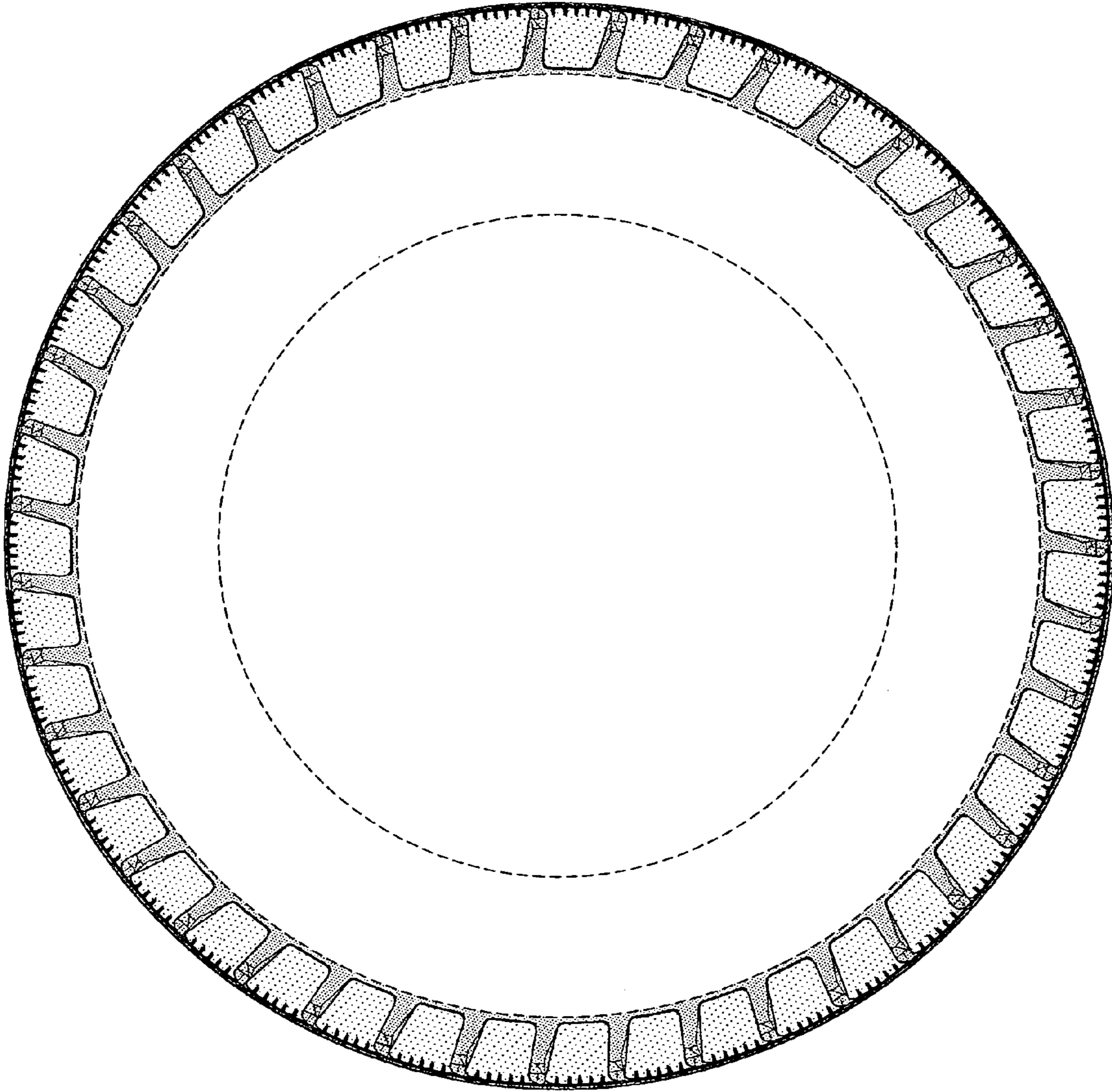


FIG-3

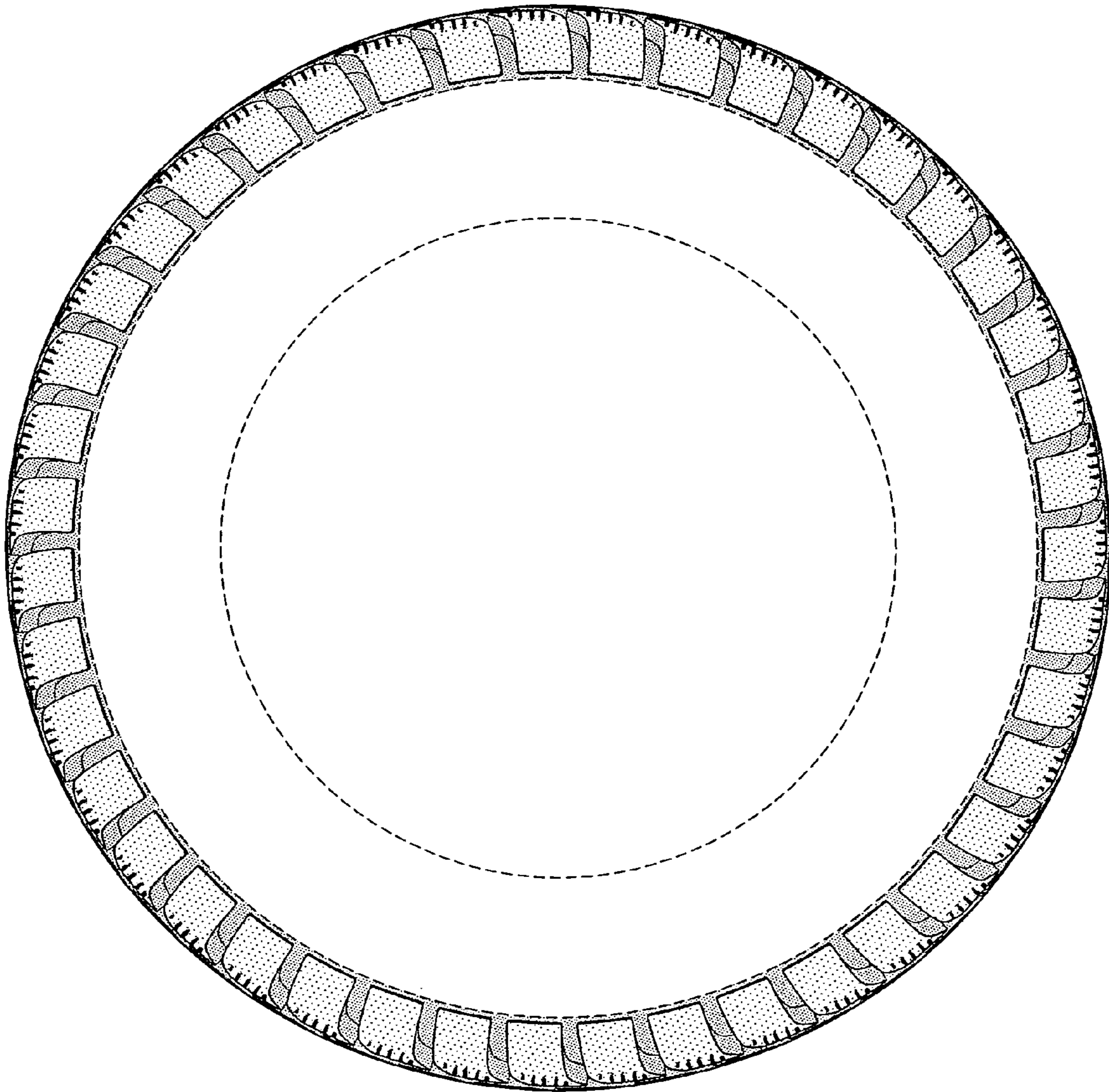


FIG-4

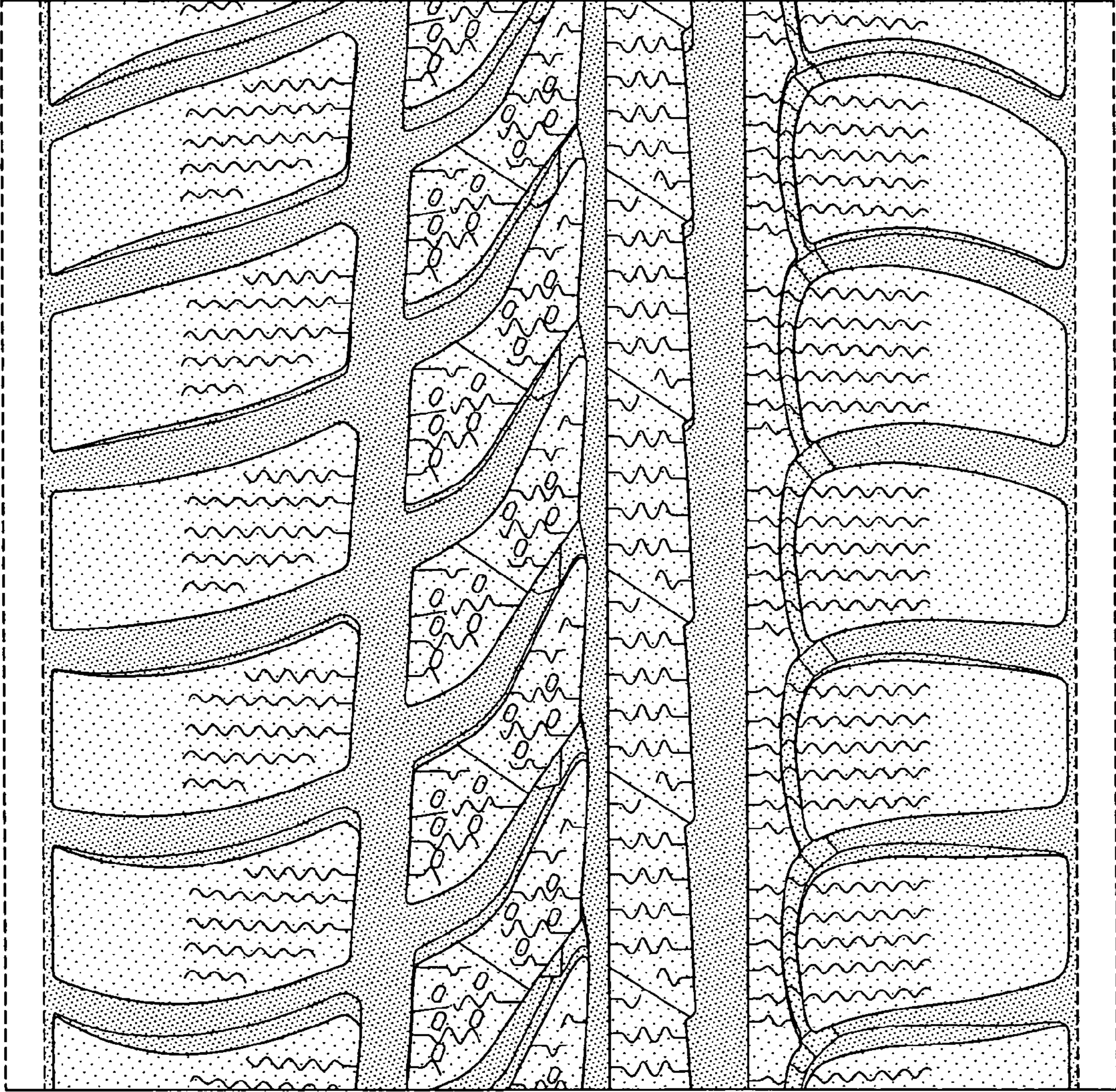


FIG-5