



US00D559164S

(12) **United States Design Patent**
Spera

(10) **Patent No.:** **US D559,164 S**

(45) **Date of Patent:** **** Jan. 8, 2008**

(54) **TRAILER HITCH STEP**

(76) Inventor: **Michael Spera**, 4785 Easley Rd.,
Golden, CO (US) 80403

(**) Term: **14 Years**

(21) Appl. No.: **29/291,189**

(22) Filed: **Aug. 17, 2007**

(51) **LOC (8) Cl.** **12-16**

(52) **U.S. Cl.** **D12/203**

(58) **Field of Classification Search** D12/203,
D12/162; 280/163-164.1, 166, 169, 153.5,
280/848; 182/90-92; D25/68-69, 62; 428/81-82;
238/14

See application file for complete search history.

(56) **References Cited**

U.S. PATENT DOCUMENTS

D370,452 S *	6/1996	Beasley	D12/203
D444,754 S *	7/2001	Storer	D12/203
D463,345 S *	9/2002	Cipolla	D12/203
D477,555 S *	7/2003	Ruffin	D12/203
D494,117 S *	8/2004	Ruffin	D12/203
D511,319 S *	11/2005	Wang	D12/203
D513,217 S *	12/2005	Daws et al.	D12/203

D527,323 S *	8/2006	Storer	D12/203
D532,354 S *	11/2006	Storer	D12/203
D549,623 S *	8/2007	Gaddy	D12/162

* cited by examiner

Primary Examiner—Stacia Cadmus

(74) *Attorney, Agent, or Firm*—Scott L. Terrell

(57) **CLAIM**

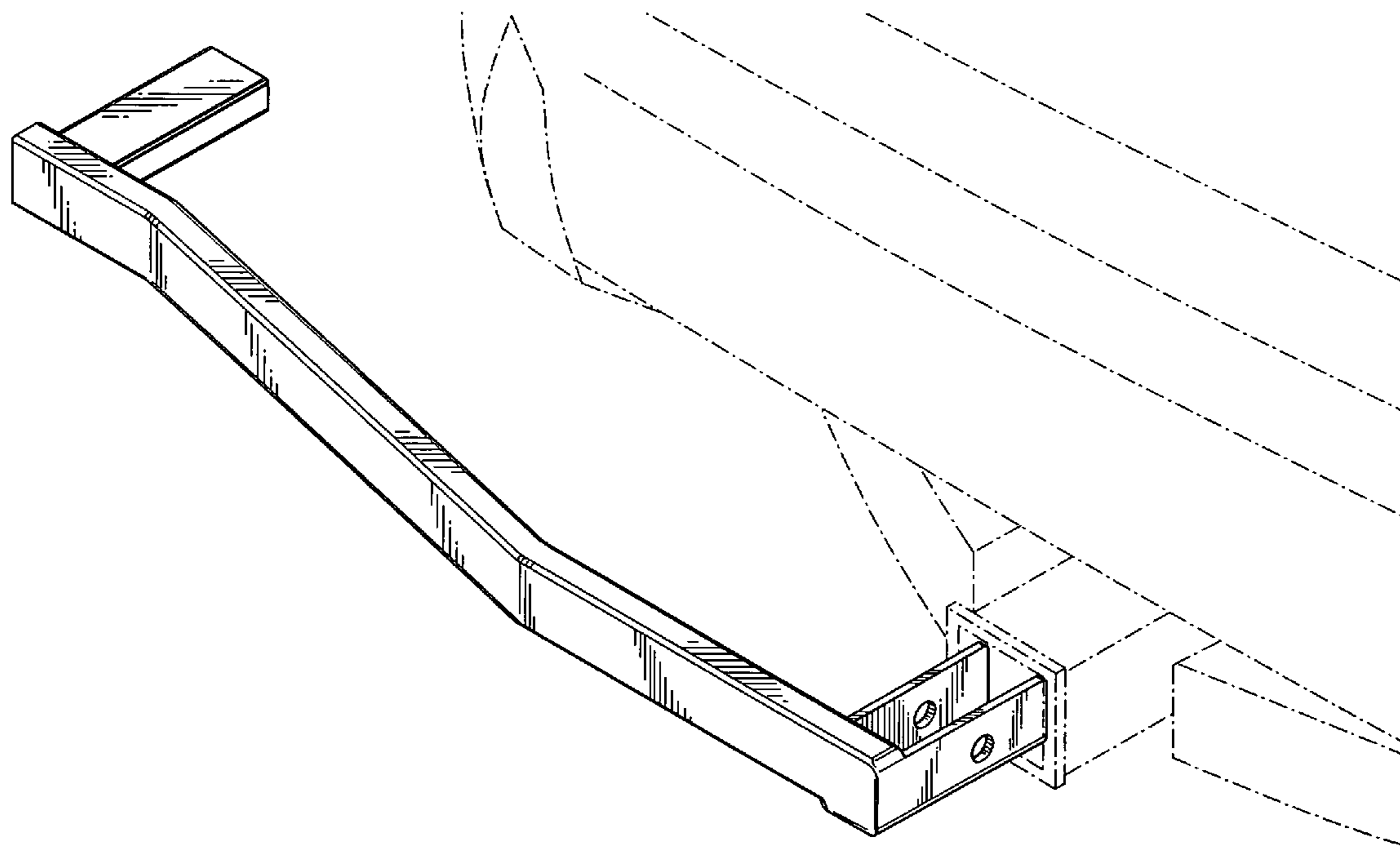
The ornamental design for a trailer hitch step, as shown and described.

DESCRIPTION

FIG. 1 is a front view of the trailer hitch step.
 FIG. 2 is a back view of the trailer hitch step.
 FIG. 3 is a left side view of the trailer hitch step.
 FIG. 4 is a right side view of the trailer hitch step.
 FIG. 5 is a top view of the trailer hitch step.
 FIG. 6 is a bottom view of the trailer hitch step; and,
 FIG. 7 is a perspective view of the trailer hitch step from the right corner.

The broken line showing of environment is for illustrative purposes only and forms no part of the claimed design.

1 Claim, 3 Drawing Sheets



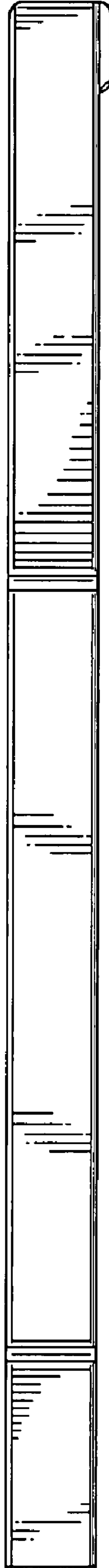


FIG. 1

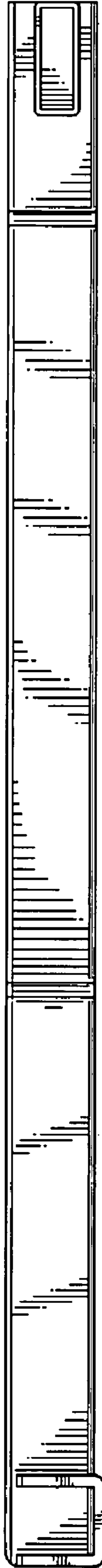


FIG. 2

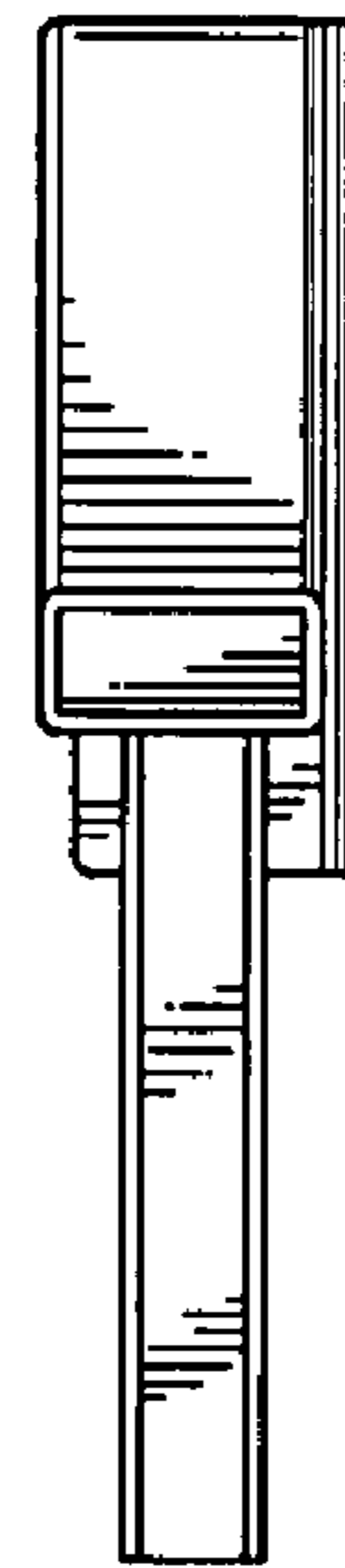


FIG. 3

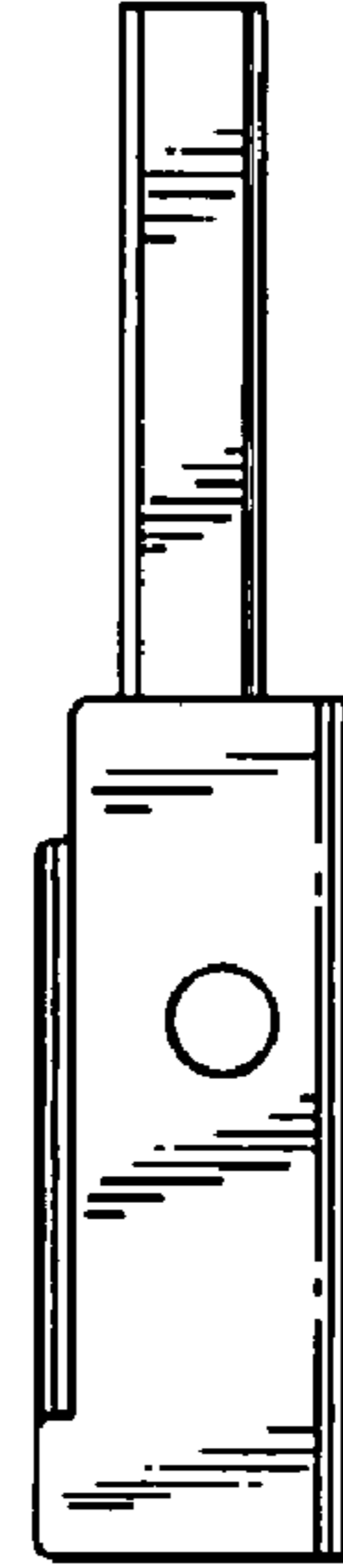
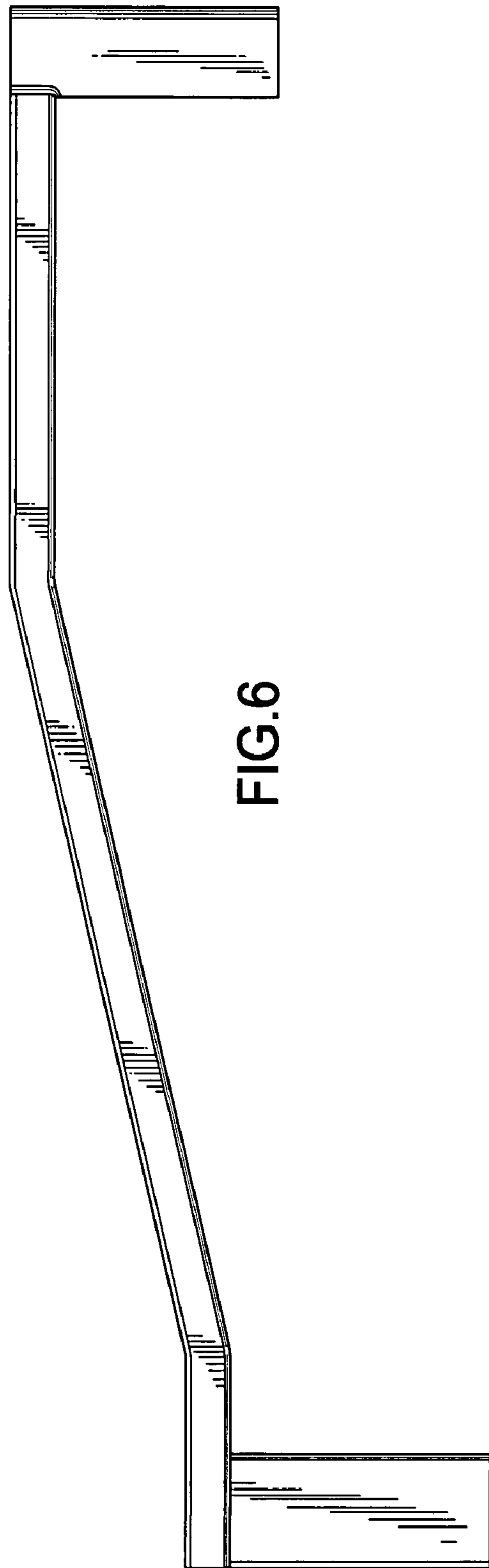
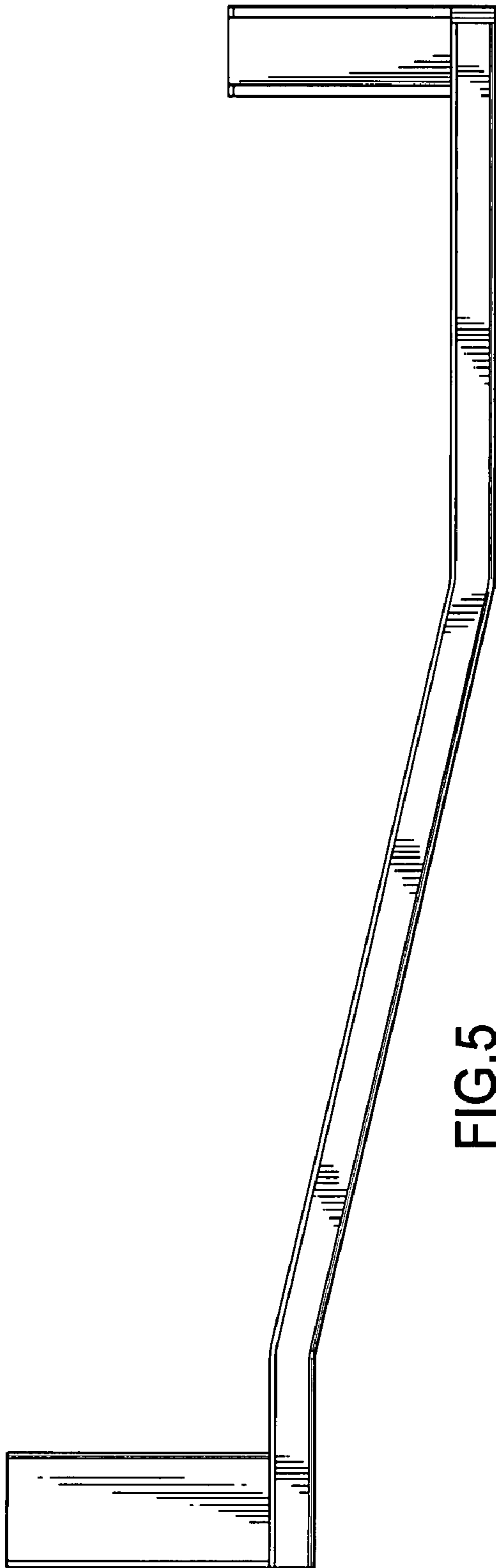


FIG. 4



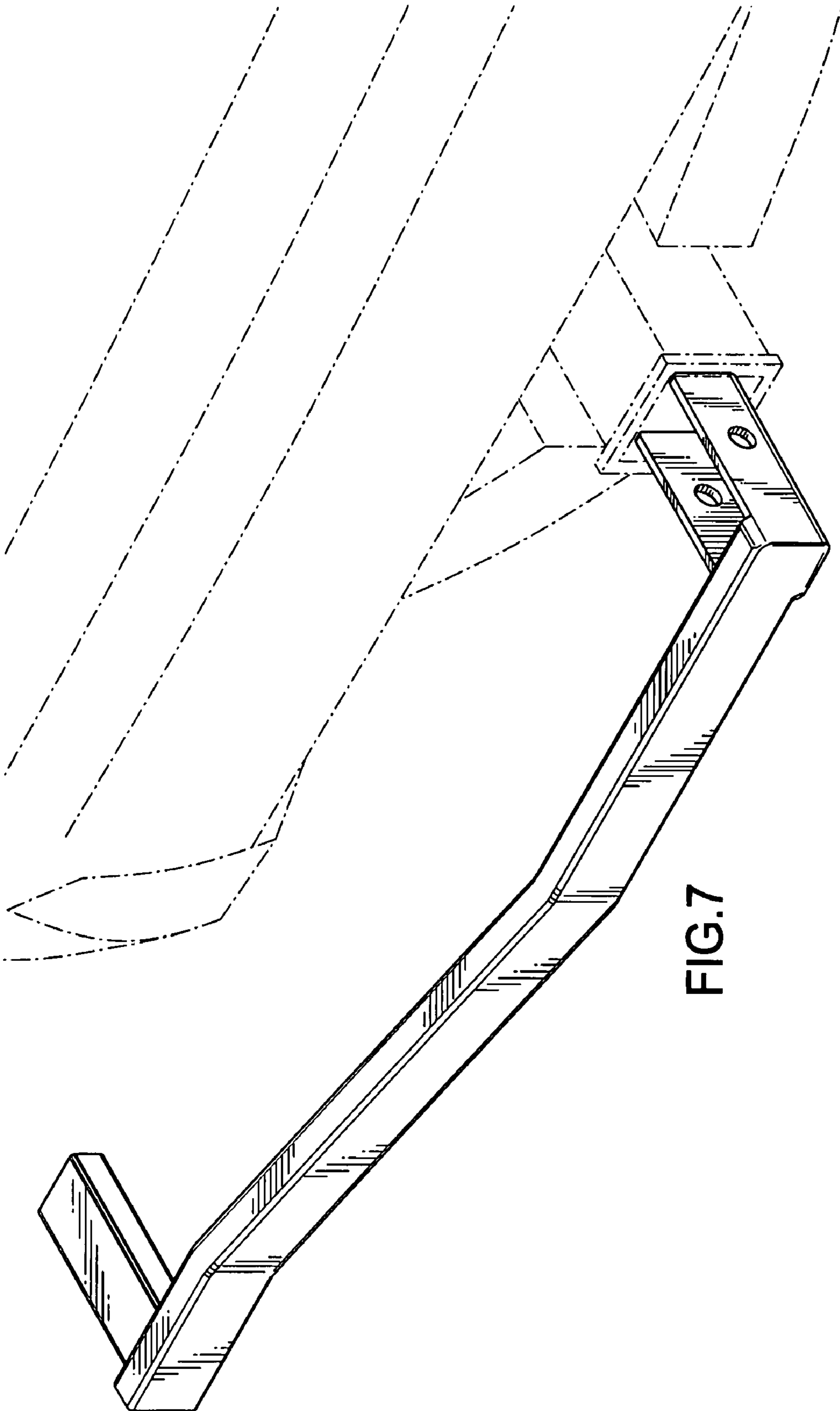


FIG. 7