



US00D559157S

(12) **United States Design Patent**
Crépeau et al.

(10) **Patent No.:** **US D559,157 S**

(45) **Date of Patent:** **** Jan. 8, 2008**

(54) **REAR BUMPER**

D492,916 S * 7/2004 Rondeau et al. D12/107

(75) Inventors: **Jean-Philippe Crépeau**, Bromont
(CA); **Stéphane Sanschagrín**, Valcourt
(CA)

* cited by examiner

Primary Examiner—Cathron C. Brooks

Assistant Examiner—Linda Brooks

(73) Assignee: **Bombardier Recreational Products Inc.**, Valcourt (CA)

(74) *Attorney, Agent, or Firm*—Osler, Hoskin & Harcourt LLP

(**) Term: **14 Years**

(57) **CLAIM**

(21) Appl. No.: **29/239,219**

The ornamental design for a rear bumper, as shown and described.

(22) Filed: **Sep. 28, 2005**

DESCRIPTION

(51) **LOC (8) Cl.** **12-16**

(52) **U.S. Cl.** **D12/169**

(58) **Field of Classification Search** D12/87,
D12/107, 163, 169–172, 222, 223, 110, 3,
D12/86; 180/225, 229, 233, 311, 68.6, 312,
180/315; 293/102, 112, 113, 115, 142–149,
293/117, 120; 296/180.1, 180.2, 187.03,
296/187.09, 187.11

FIG. 1 is a perspective view from the front and left side of a rear bumper according to our design;

FIG. 2 is a front elevational view thereof;

FIG. 3 is a rear elevational view thereof;

FIG. 4 is a right side elevational view thereof;

FIG. 5 is a left side elevational view thereof; and,

FIG. 6 is a top plan view thereof.

See application file for complete search history.

Throughout the Figures, broken lines showing structure are for illustrative purposes only and form no part of the claimed design.

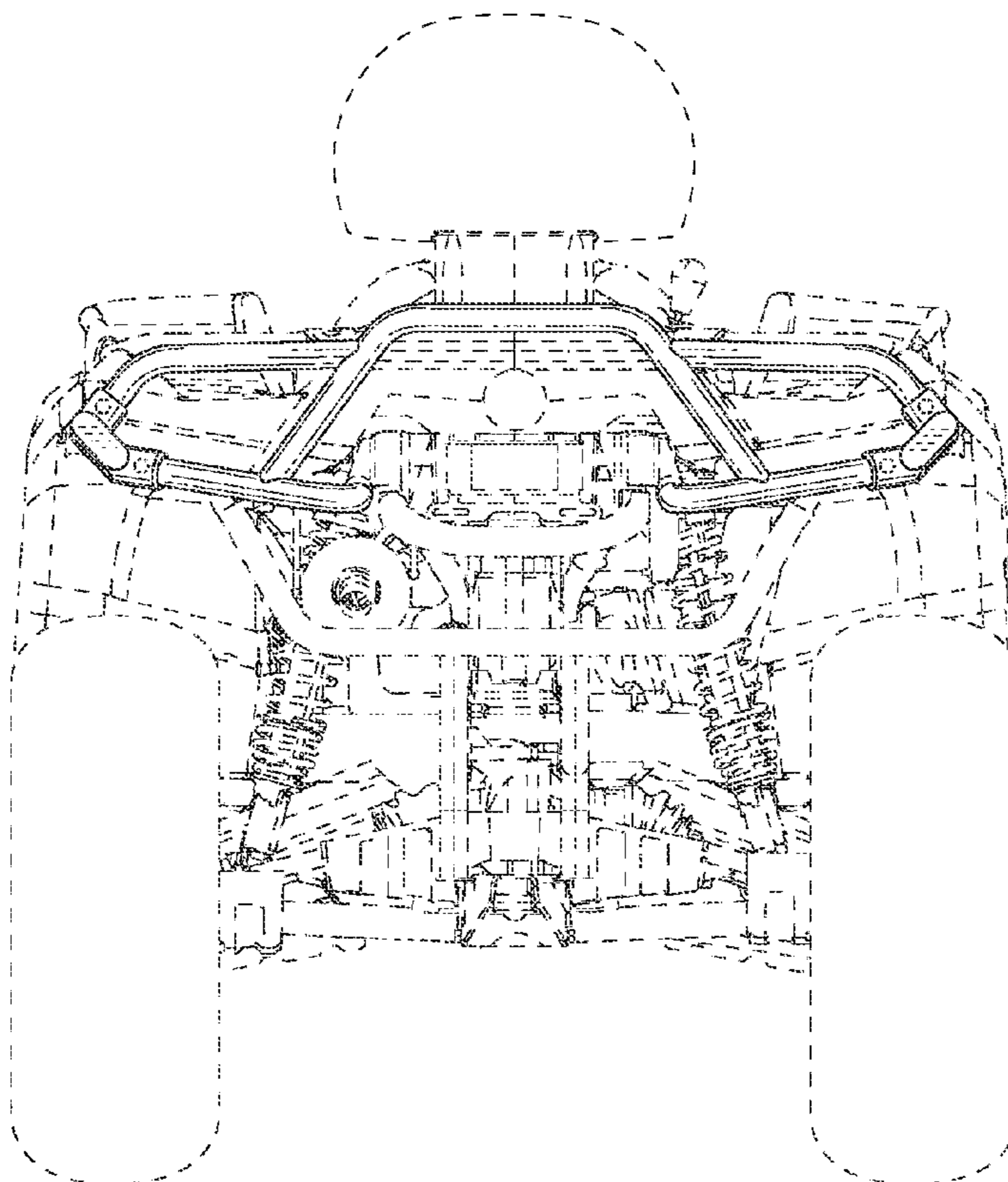
(56) **References Cited**

U.S. PATENT DOCUMENTS

D405,029 S * 2/1999 Deutschman D12/107

D415,448 S * 10/1999 Deutschman D12/107

1 Claim, 6 Drawing Sheets



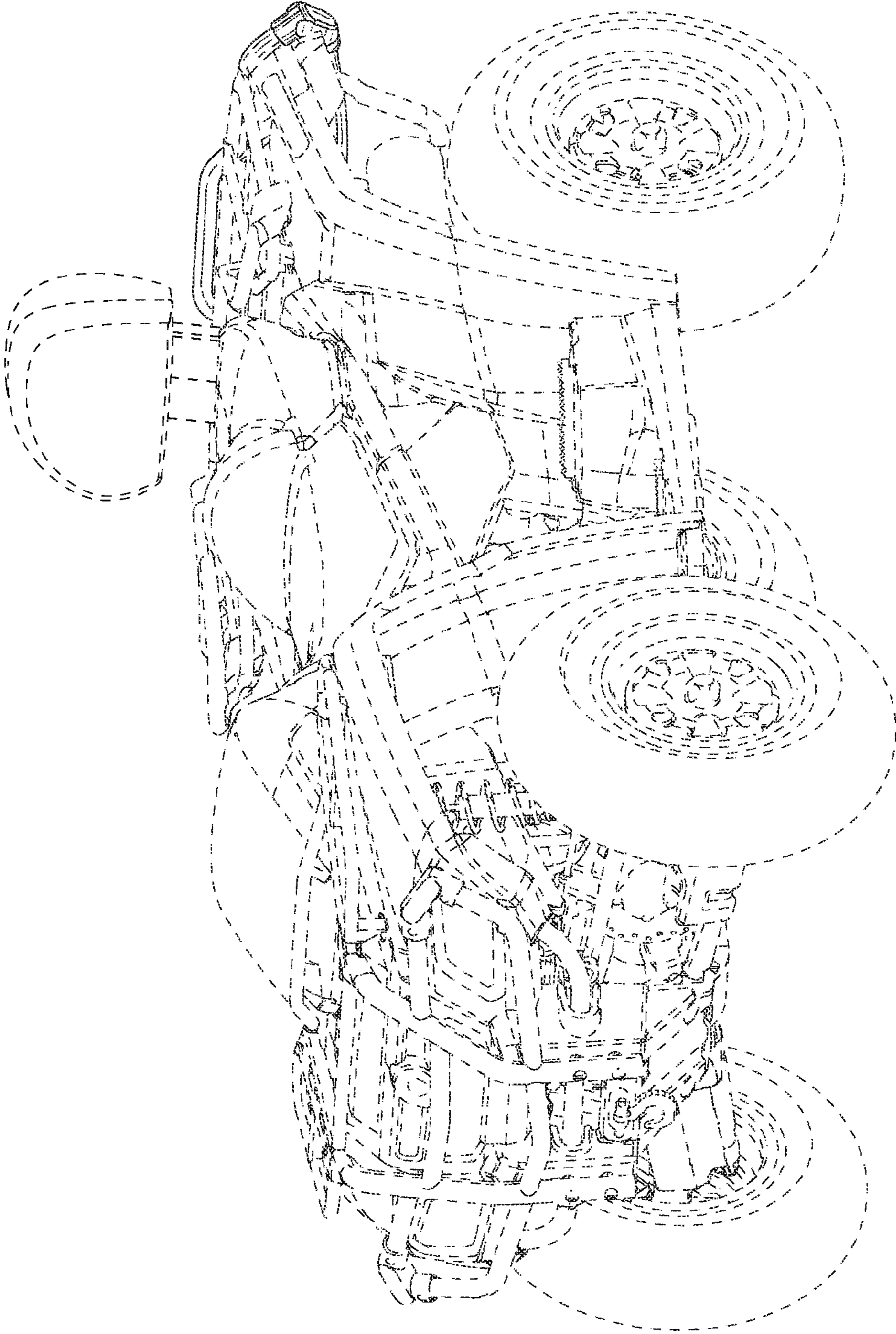


FIG. 1

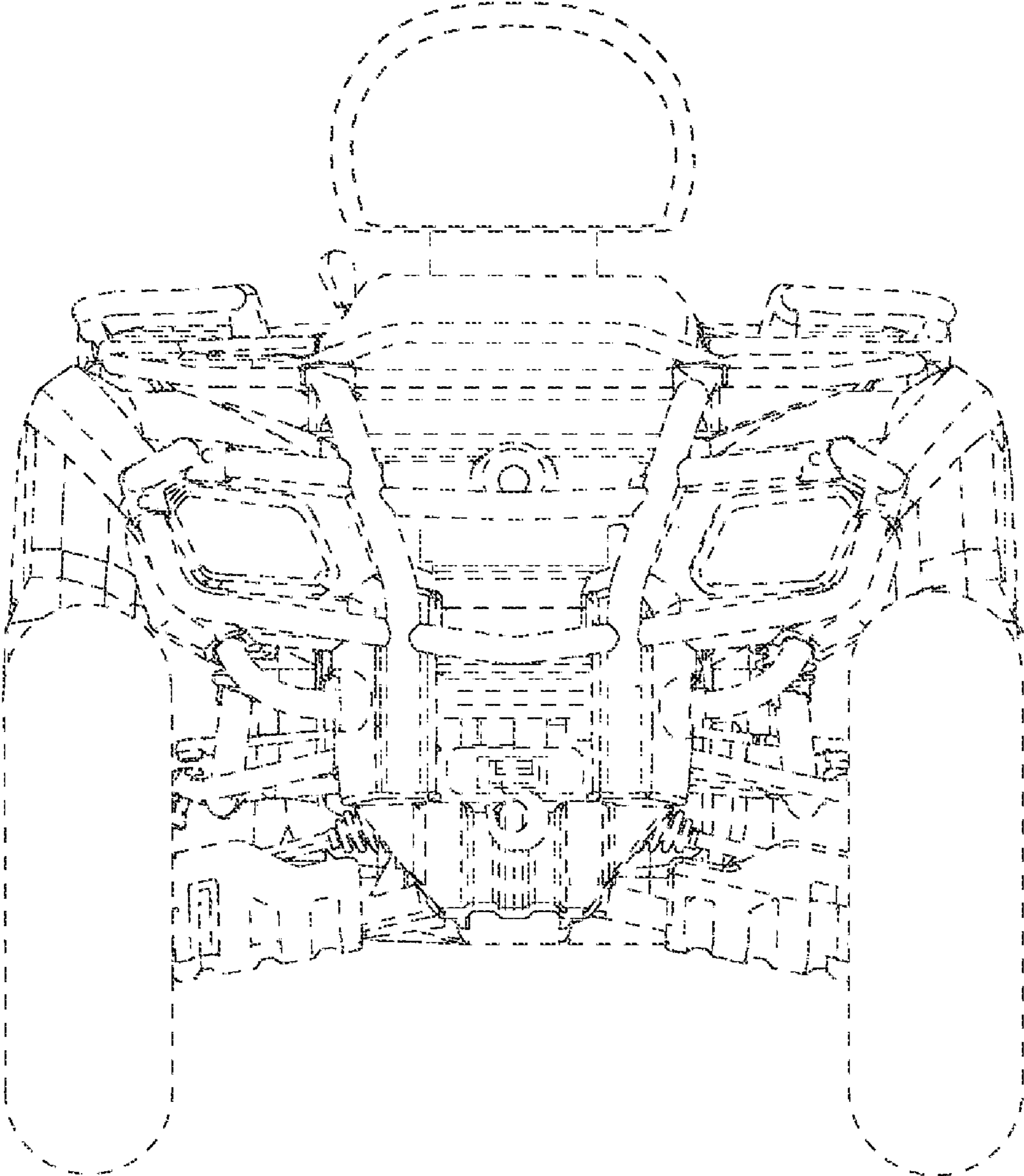


FIG. 2

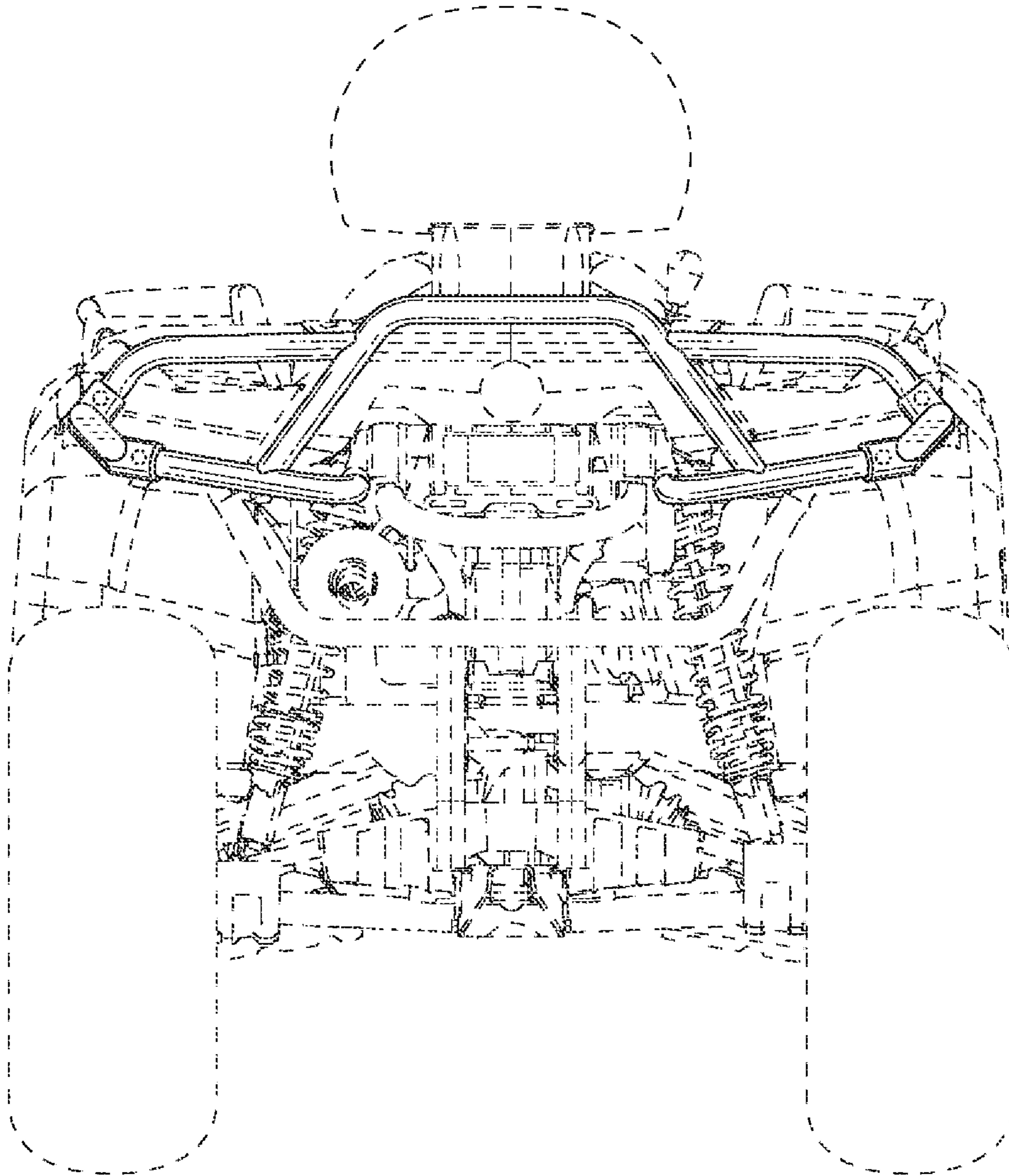


FIG. 3

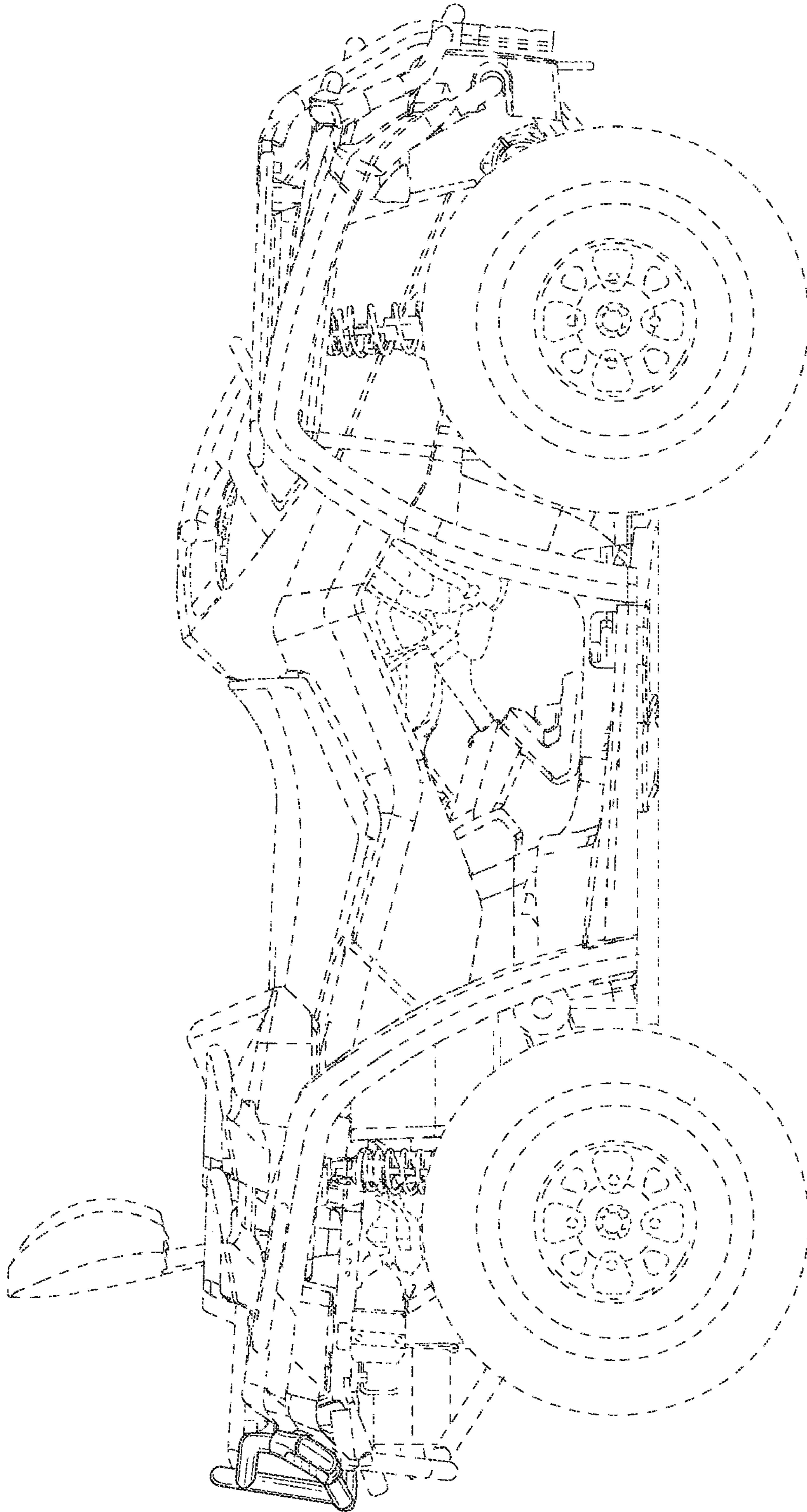


FIG. 4

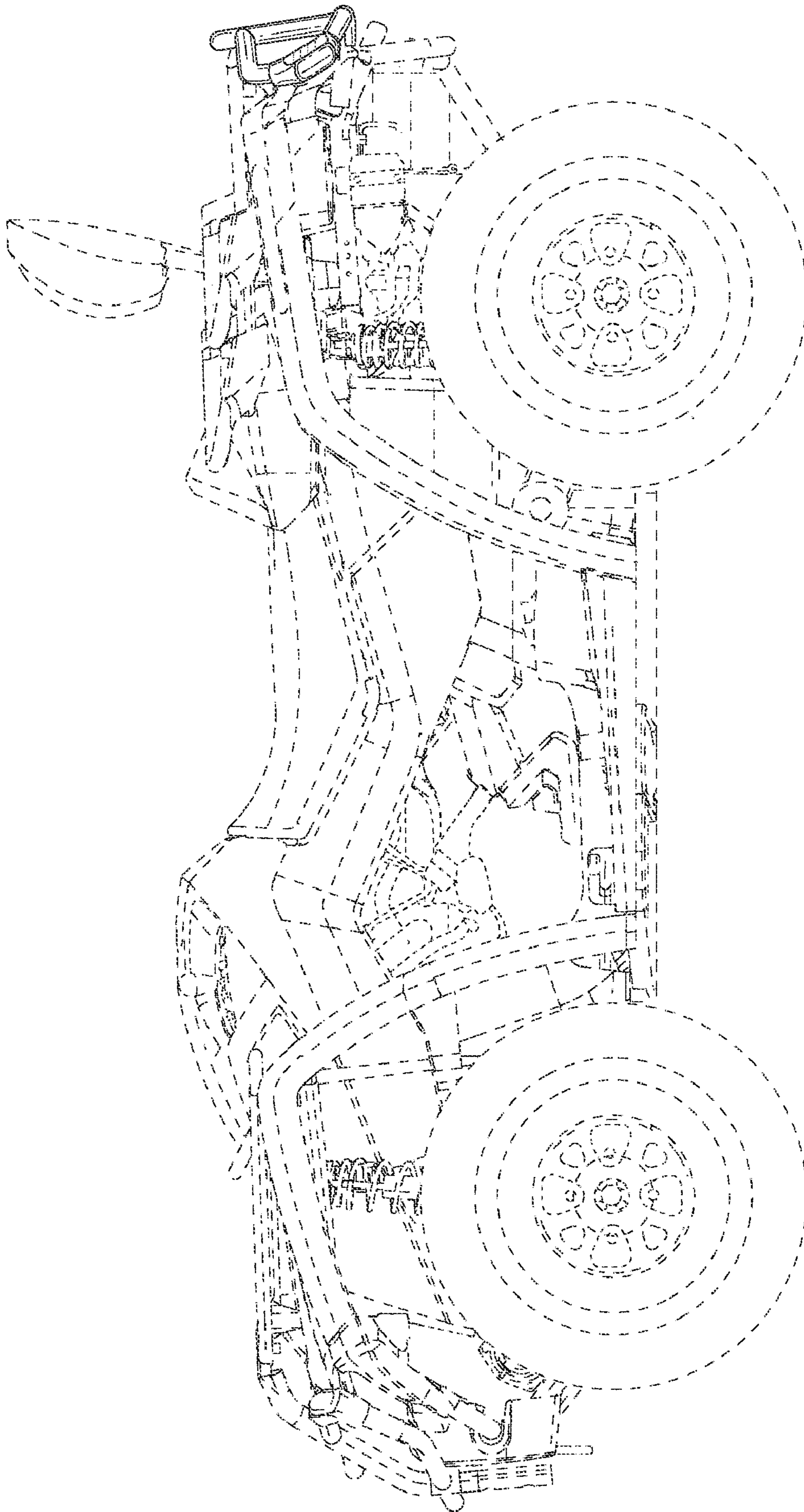


FIG. 5

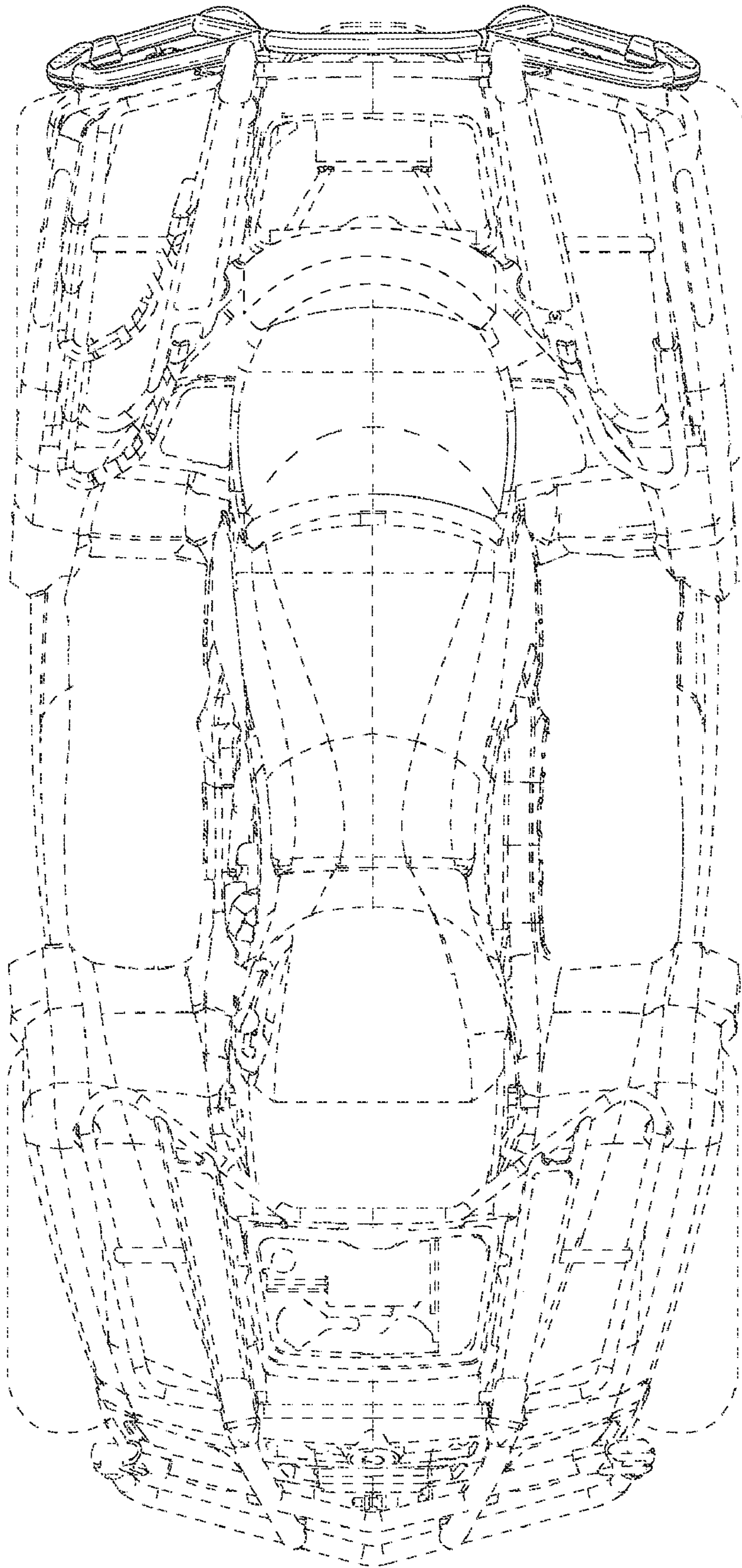


FIG. 6

UNITED STATES PATENT AND TRADEMARK OFFICE
CERTIFICATE OF CORRECTION

PATENT NO. : Des. 559,157 S
APPLICATION NO. : 29/239219
DATED : January 8, 2008
INVENTOR(S) : Jean-Phillippe Crépeau et al.

Page 1 of 8

It is certified that error appears in the above-identified patent and that said Letters Patent is hereby corrected as shown below:

The title page showing an illustrative fig. 3 should be deleted and substitute therefore the attached title page consisting of Fig. 3.

The drawing sheets 1-6 of 6 consisting of Fig(s) 1-6 should be deleted and substitute therefore the attached drawing sheets 1-6 of 6 consisting of Fig(s) 1-6.

Signed and Sealed this

Nineteenth Day of August, 2008

A handwritten signature in black ink that reads "Jon W. Dudas". The signature is written in a cursive style with a large, looped initial "J".

JON W. DUDAS

Director of the United States Patent and Trademark Office

(12) **United States Design Patent**
Crépeau et al.

(10) **Patent No.:** US D559,157 S
(45) **Date of Patent:** ** Jan. 8, 2008

(54) **REAR BUMPER**

D492,916 S * 7/2004 Rondeau et al. D12/107

(75) **Inventors:** Jean-Philippe Crépeau, Bromont (CA); Stéphane Sanschagrín, Valcourt (CA)

* cited by examiner

Primary Examiner—Cathron C. Brooks

Assistant Examiner—Linda Brooks

(73) **Assignee:** Bombardier Recreational Products Inc., Valcourt (CA)

(74) *Attorney, Agent, or Firm*—Osler, Hoskin & Harcourt LLP

(**) **Term:** 14 Years

(57) **CLAIM**

(21) **Appl. No.:** 29/239,219

The ornamental design for a rear bumper, as shown and described.

(22) **Filed:** Sep. 28, 2005

(51) **LOC (8) Cl.** 12-16

(52) **U.S. Cl.** D12/169

(58) **Field of Classification Search** D12/87, D12/107, 163, 169-172, 222, 223, 110, 3, D12/86; 180/225, 229, 233, 311, 68.6, 312, 180/315; 293/102, 112, 113, 115, 142-149, 293/117, 120; 296/180.1, 180.2, 187.03, 296/187.09, 187.11

See application file for complete search history.

DESCRIPTION

FIG. 1 is a perspective view from the front and left side of a rear bumper according to our design;

FIG. 2 is a front elevational view thereof;

FIG. 3 is a rear elevational view thereof;

FIG. 4 is a right side elevational view thereof;

FIG. 5 is a left side elevational view thereof; and,

FIG. 6 is a top plan view thereof.

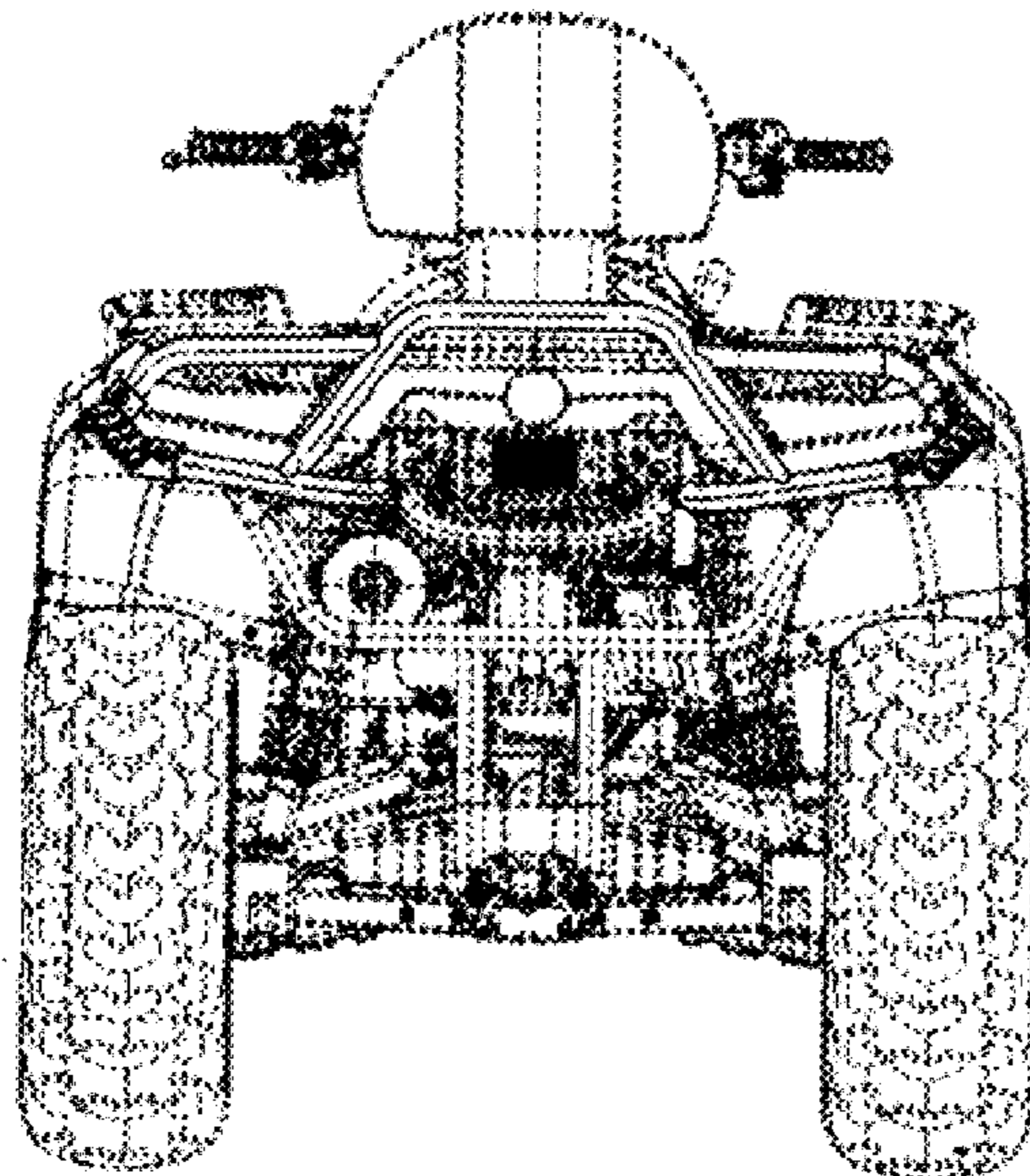
Throughout the Figures, broken lines showing structure are for illustrative purposes only and form no part of the claimed design.

(56) **References Cited**

U.S. PATENT DOCUMENTS

D405,029 S * 2/1999 Deutschman D12/107
D415,448 S * 10/1999 Deutschman D12/107

1 Claim, 6 Drawing Sheets



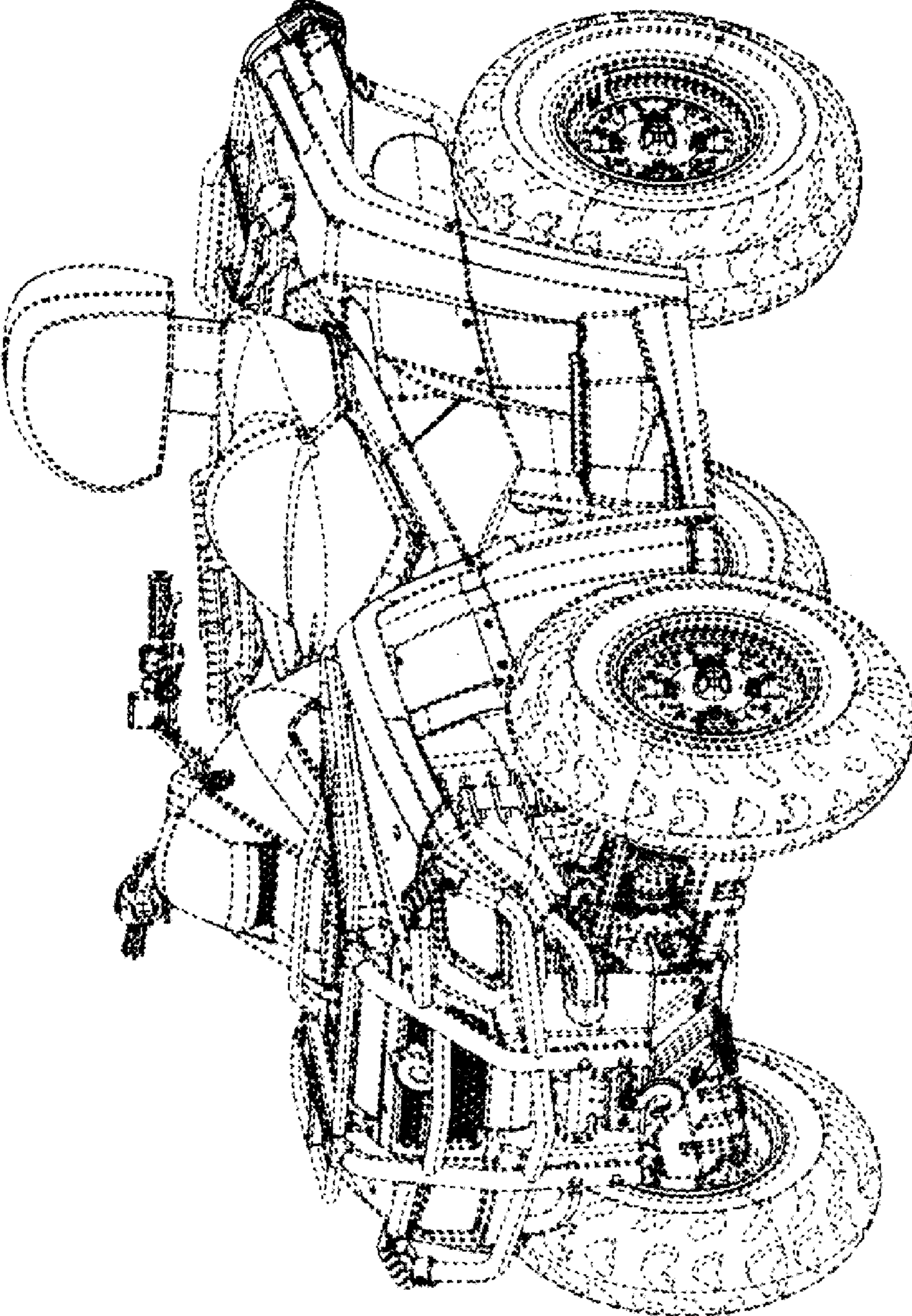


FIG. 1

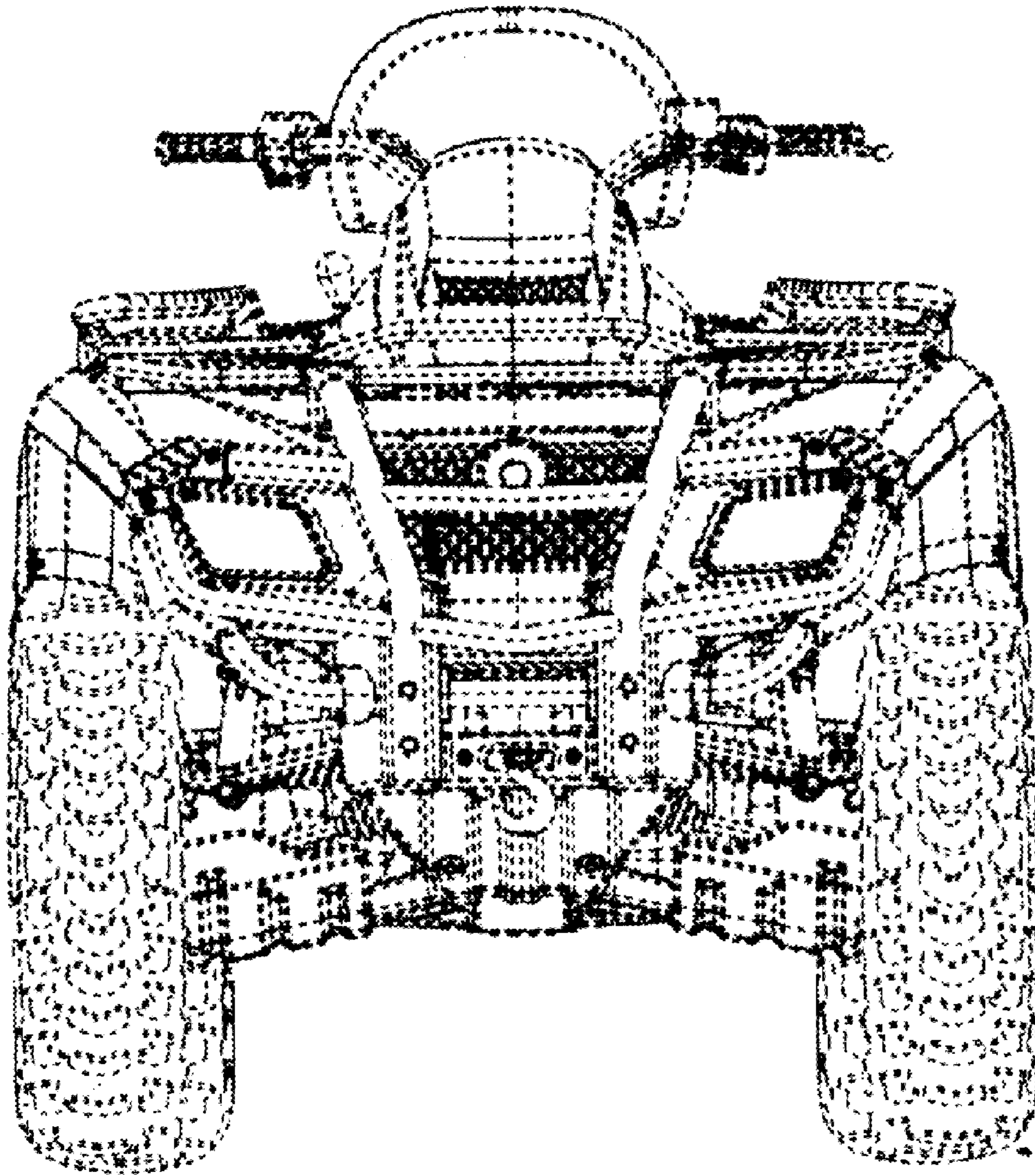


FIG. 2

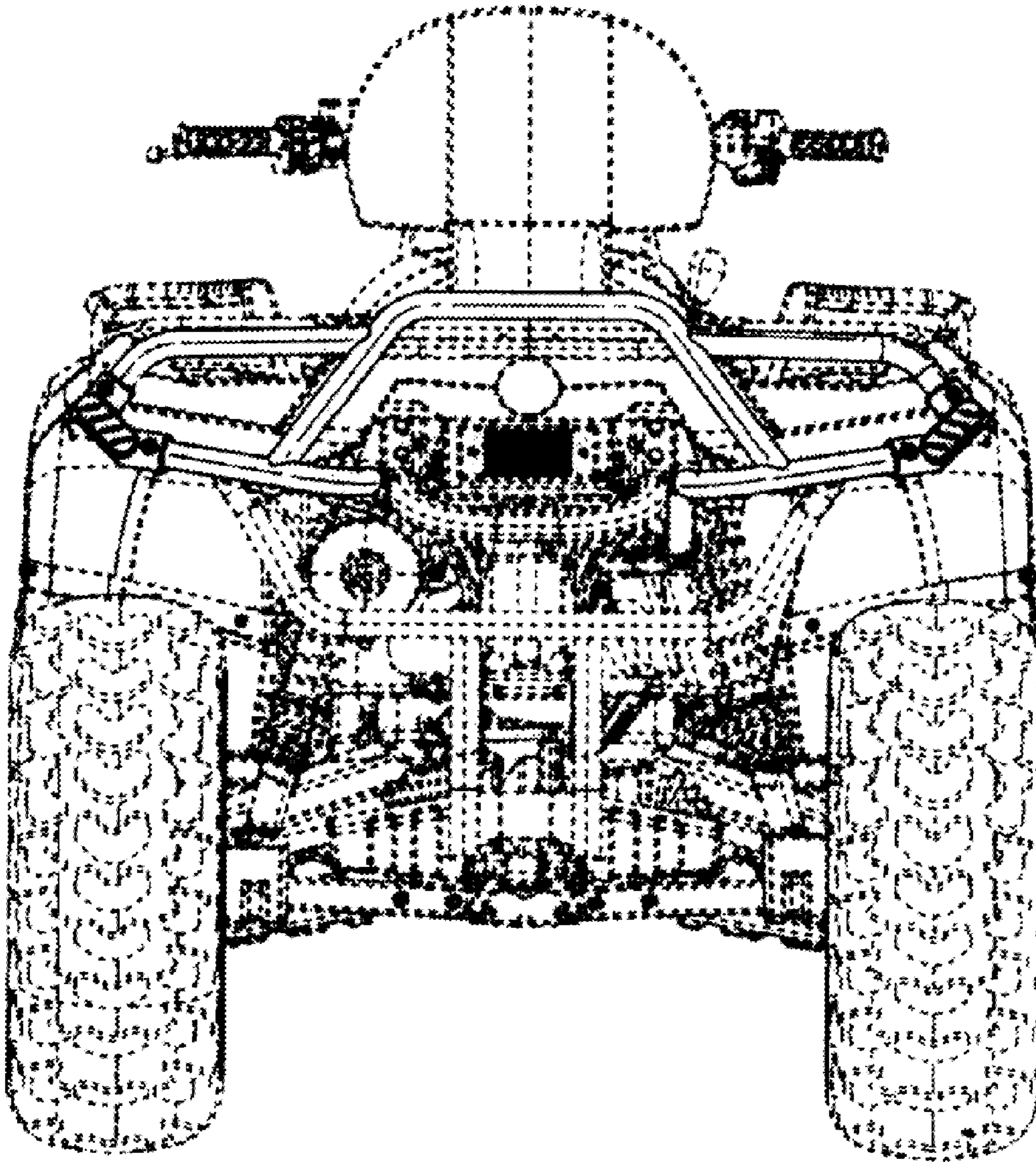


FIG. 3

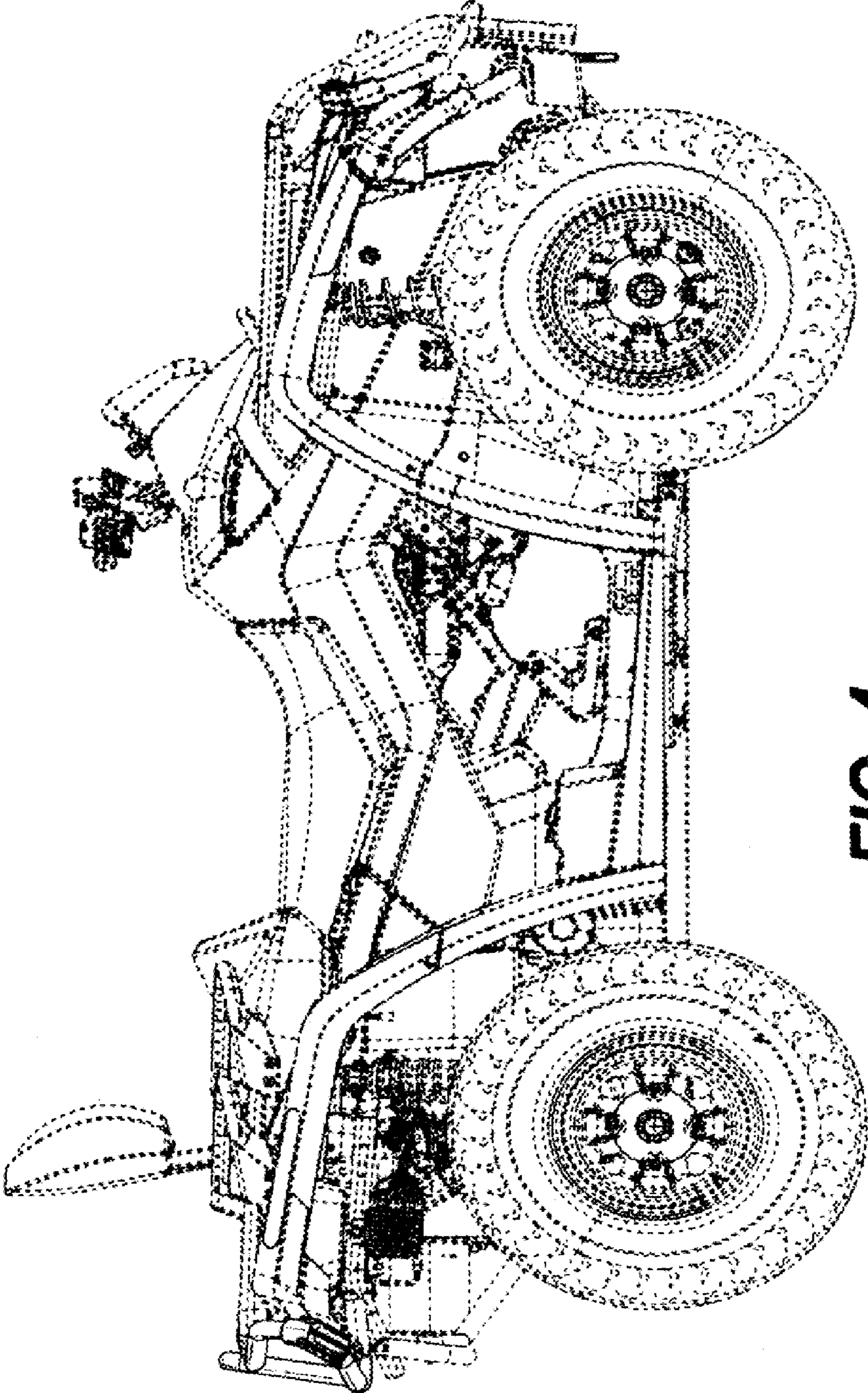


FIG. 4

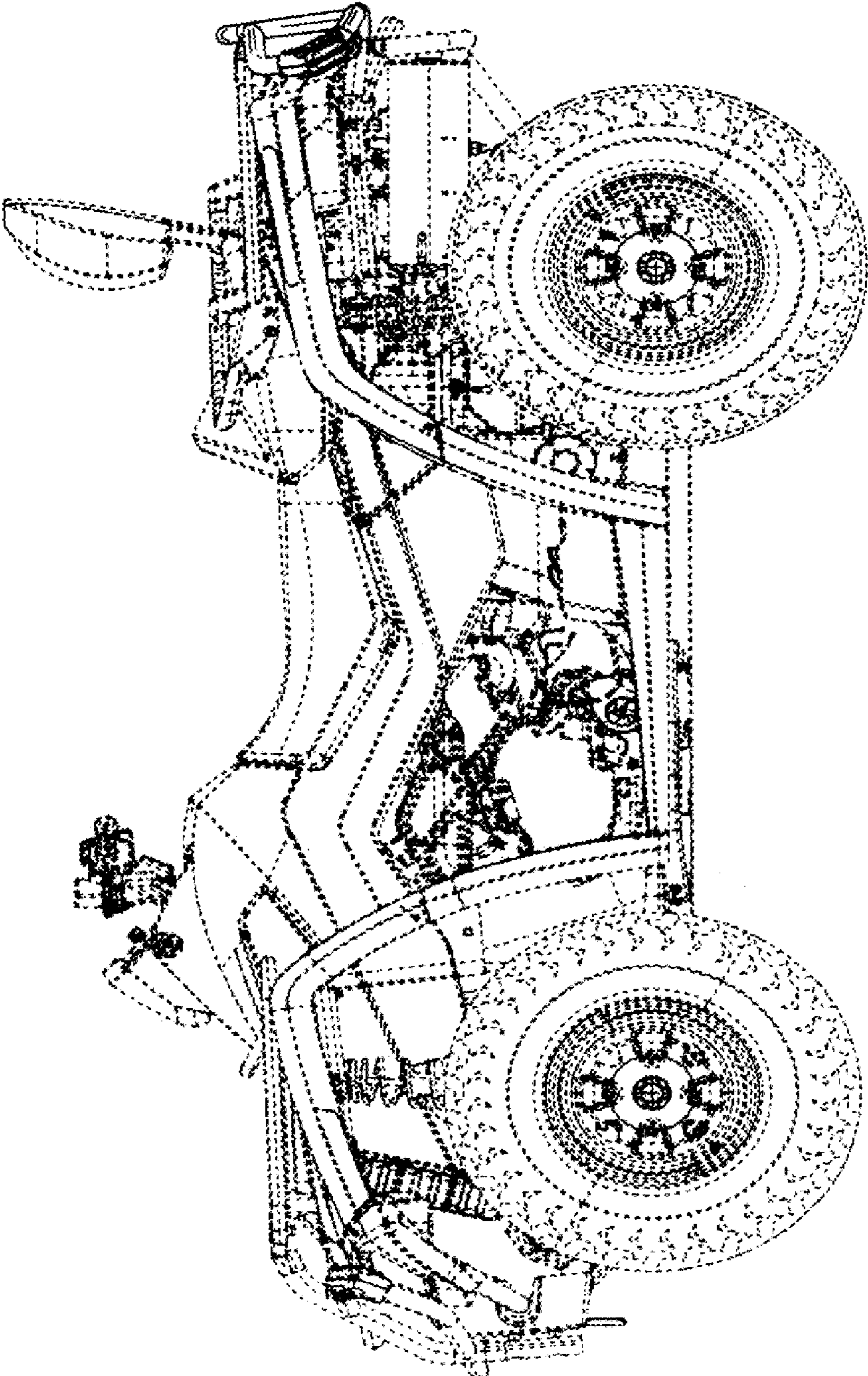


FIG. 5

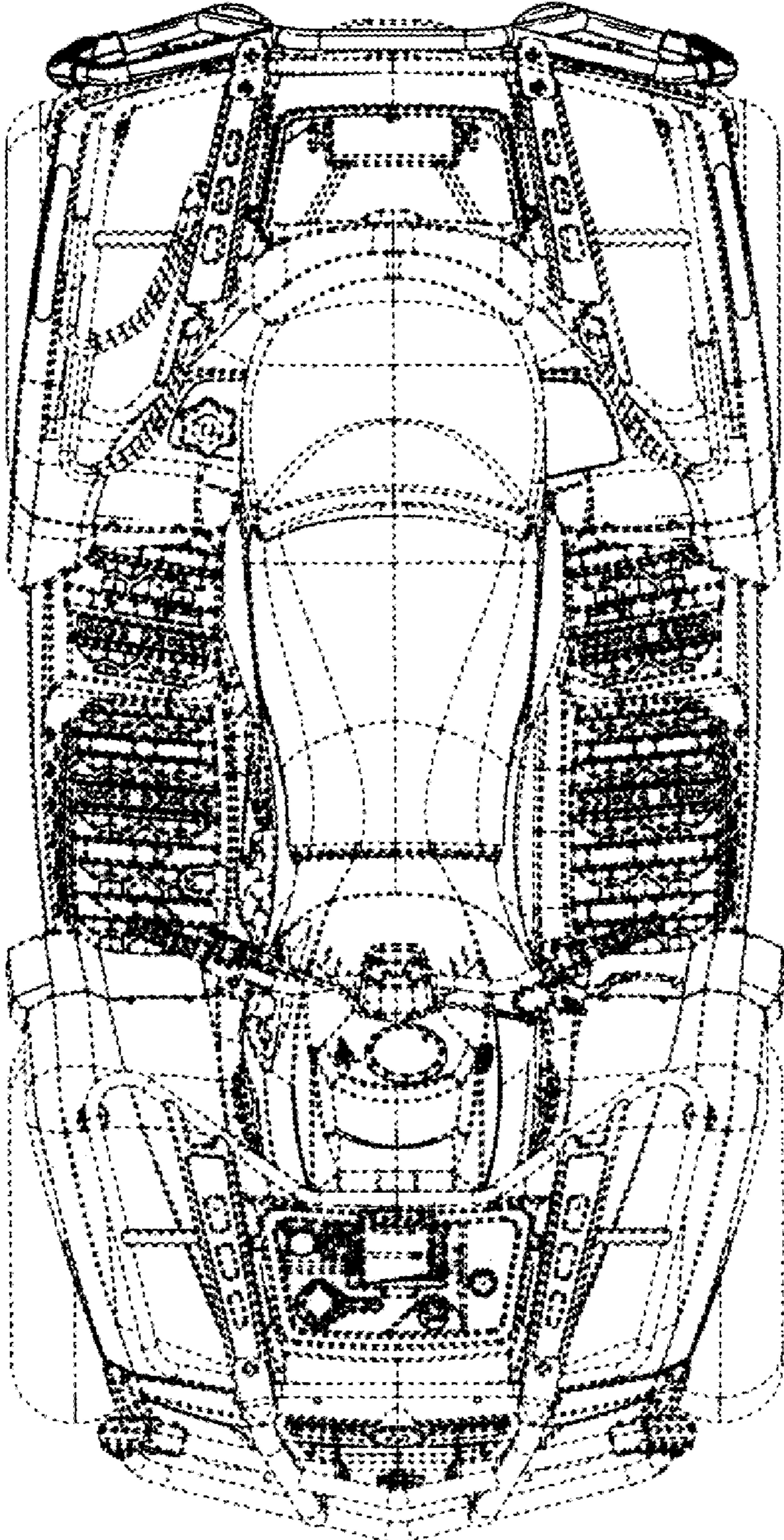


FIG. 6

UNITED STATES PATENT AND TRADEMARK OFFICE
CERTIFICATE OF CORRECTION

PATENT NO. : Des. 559,157 S
APPLICATION NO. : 29/239219
DATED : January 8, 2008
INVENTOR(S) : Jean-Phillippe Crépeau et al.

Page 1 of 8

It is certified that error appears in the above-identified patent and that said Letters Patent is hereby corrected as shown below:

The title page showing an illustrative fig. 3 should be deleted and substitute therefore the attached title page consisting of Fig. 3.

The drawing sheets 1-6 of 6 consisting of Fig(s) 1-6 should be deleted and substitute therefore the attached drawing sheets 1-6 of 6 consisting of Fig(s) 1-6.

This certificate supersedes the Certificate of Correction issued August 19, 2008.

Signed and Sealed this

Tenth Day of February, 2009



JOHN DOLL
Acting Director of the United States Patent and Trademark Office

(12) **United States Design Patent** (16) Patent No.: **US D559,157 S**
 Crépeau et al. (45) Date of Patent: **** Jan. 8, 2008**

(54) **REAR BUMPER** D492,916 S * 2/2004 Rondeau et al. D12/107

(75) Inventors: **Jean-Philippe Crépeau**, Bromont (CA); **Stéphane Sanschugrin**, Valcourt (CA)

* cited by examiner

Primary Examiner—Cathron C. Brooks

Assistant Examiner—Linda Brooks

(73) Assignee: **Bombardier Recreational Products Inc.**, Valcourt (CA)

(74) *Attorney, Agent, or Firm*—Osler, Hoskin & Harcourt LLP

(**) Term: **14 Years**

(57) **CLAIM**

(21) Appl. No.: **29/239,219**

The ornamental design for a rear bumper, as shown and described.

(22) Filed: **Sep. 28, 2005**

(51) LOC (8) Cl. **12-16**

(52) U.S. Cl. **D12/169**

(58) Field of Classification Search **D12/87,**

D12/107, 163, 169-172, 222, 223, 110, 3,

D12/86; 180/225, 229, 233, 311, 68.6, 312,

180/315; 293/102, 112, 113, 115, 142-149,

293/117, 120; 296/180.1, 180.2, 187.03,

296/187.09, 187.11

See application file for complete search history.

(56) **References Cited**

U.S. PATENT DOCUMENTS

D405,029 S * 2/1999 Deutschman D12/107

D415,448 S * 10/1999 Deutschman D12/107

DESCRIPTION

FIG. 1 is a perspective view from the front and left side of a rear bumper according to our design;

FIG. 2 is a front elevational view thereof;

FIG. 3 is a rear elevational view thereof;

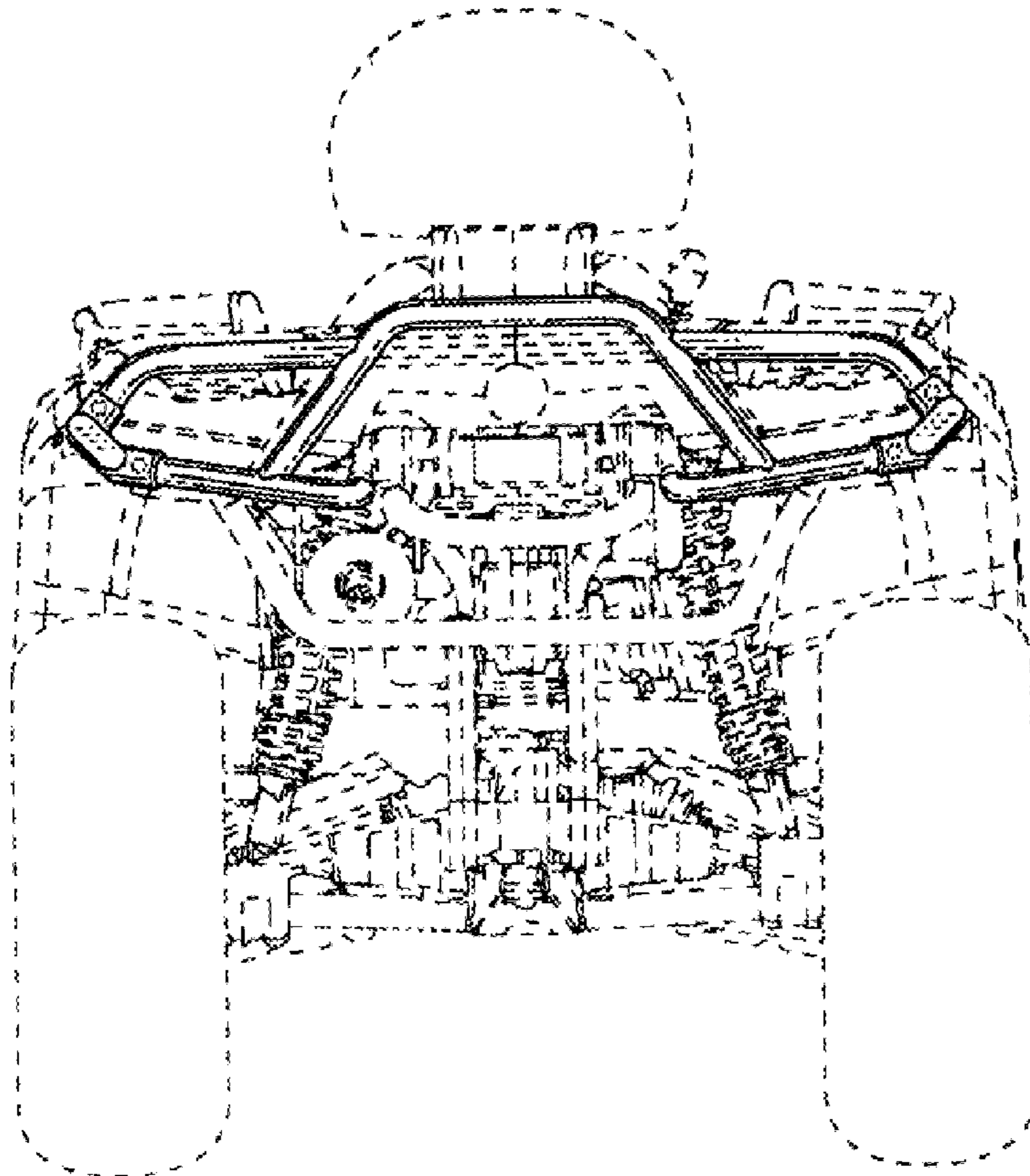
FIG. 4 is a right side elevational view thereof;

FIG. 5 is a left side elevational view thereof; and,

FIG. 6 is a top plan view thereof.

Throughout the Figures, broken lines showing structure are for illustrative purposes only and form no part of the claimed design.

1 Claim, 6 Drawing Sheets



U.S. Patent

Jan. 8, 2008

Sheet 1 of 6

D559,157 S

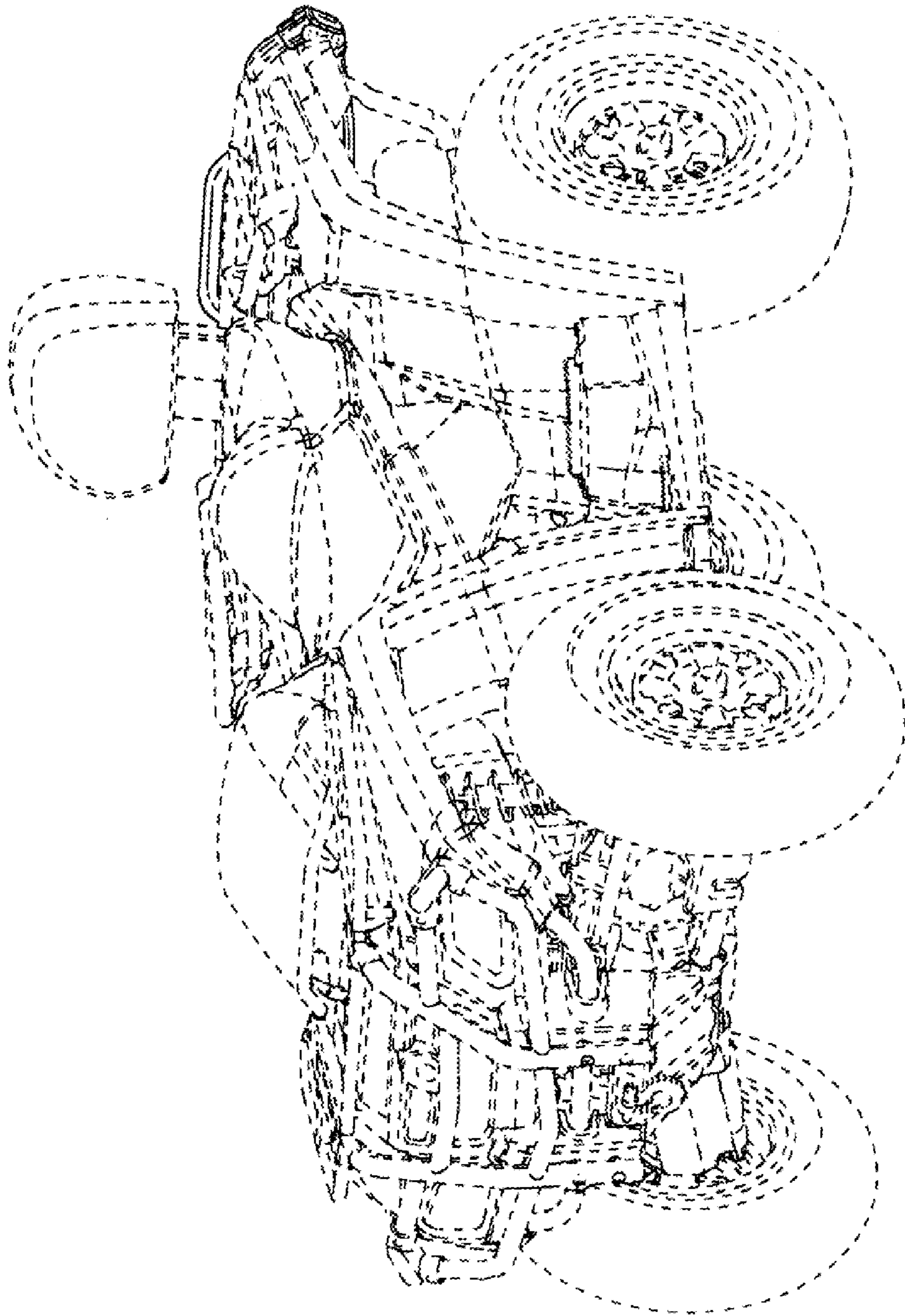


FIG. 1

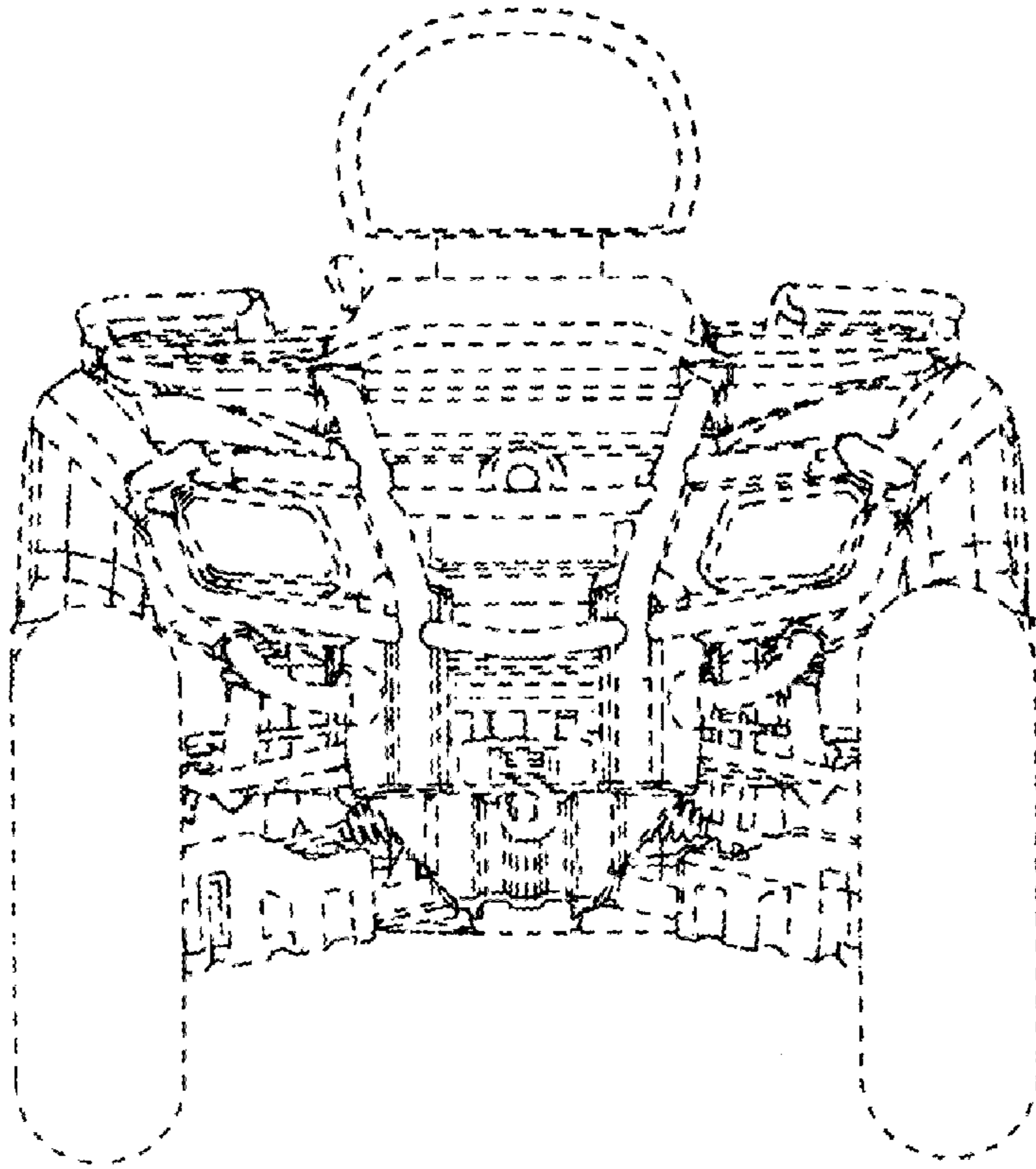


FIG. 2

U.S. Patent

Jan. 8, 2008

Sheet 3 of 6

D559,157 S

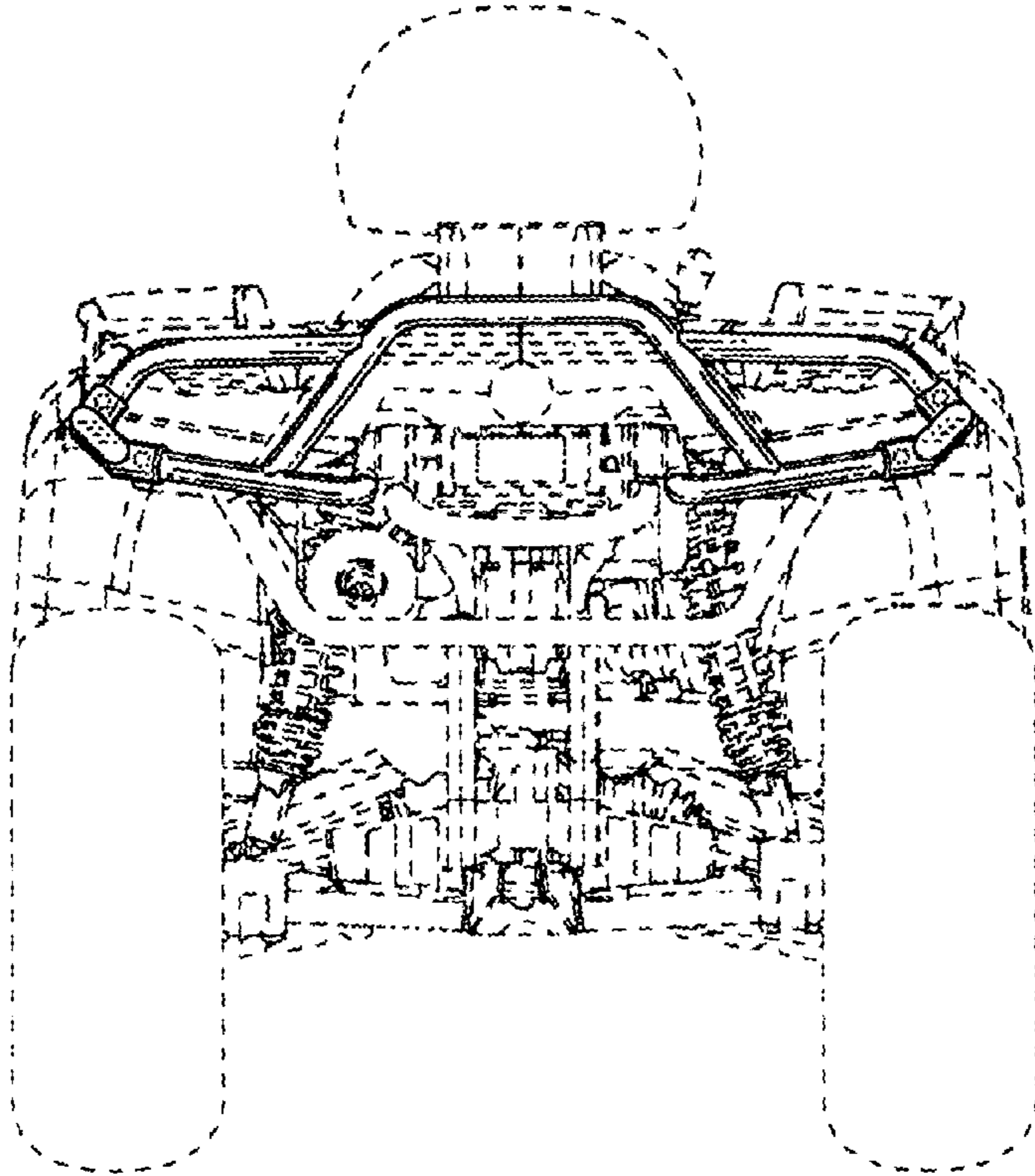


FIG. 3

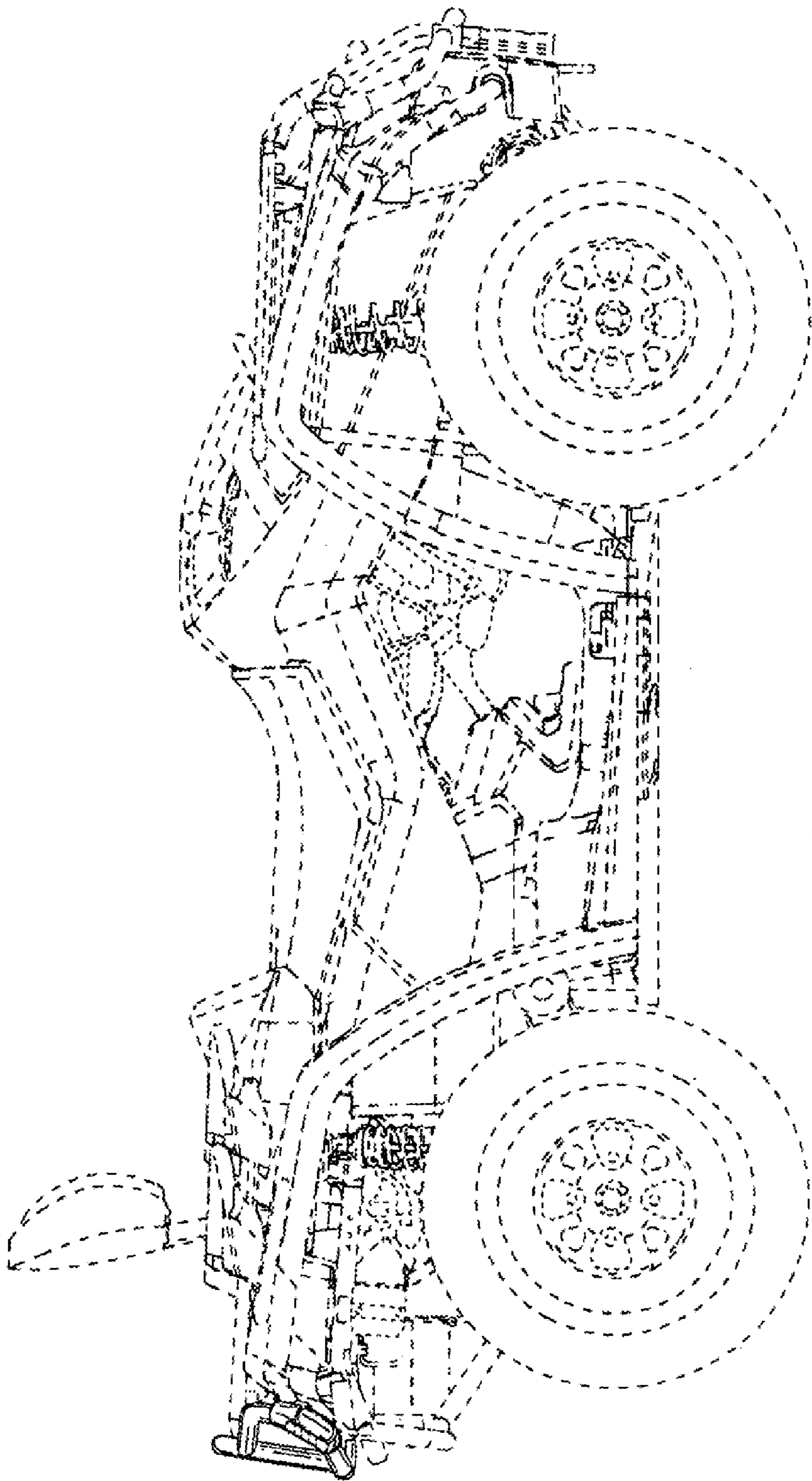


FIG. 4

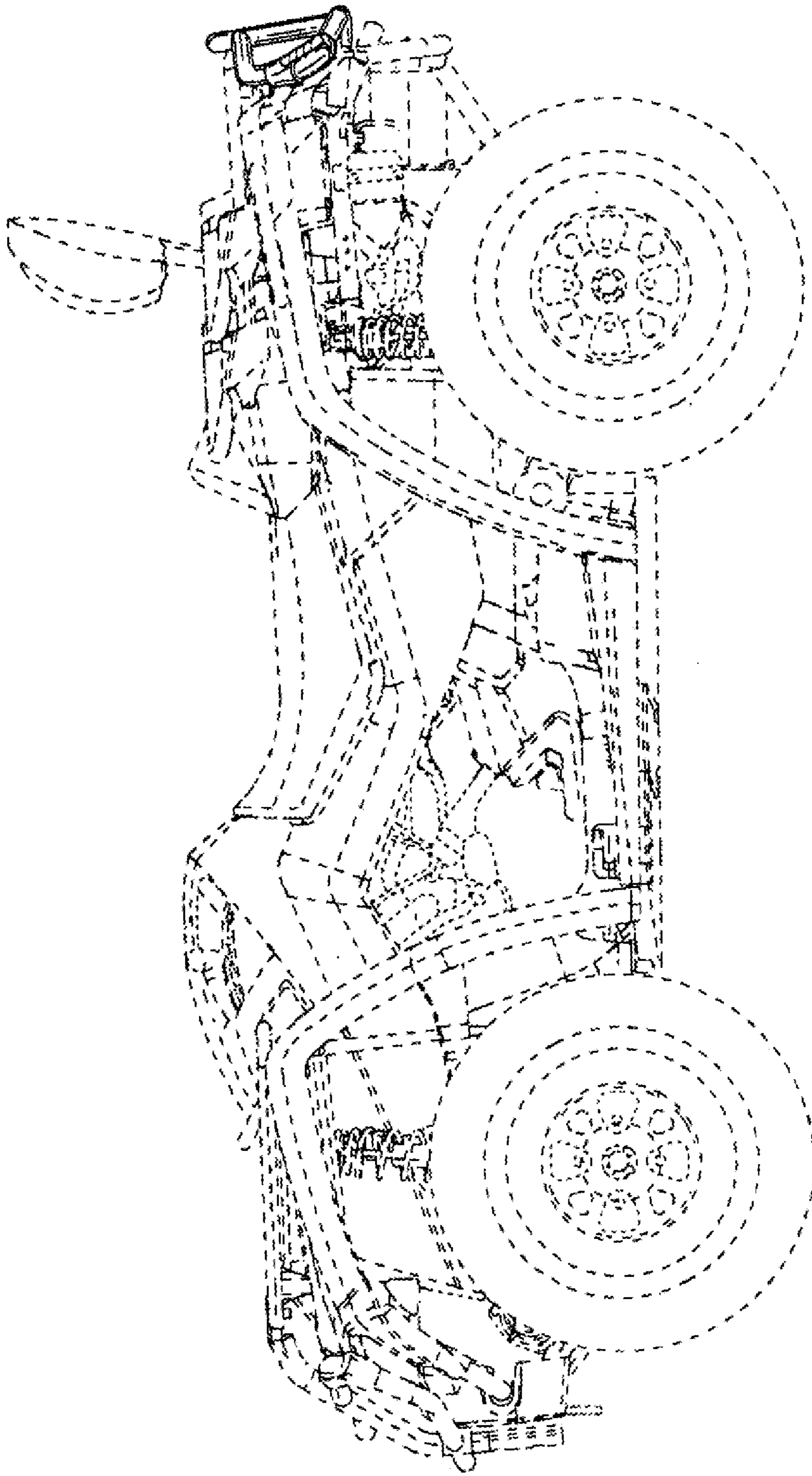


FIG. 5

U.S. Patent

Jan. 8, 2008

Sheet 6 of 6

D559,157 S

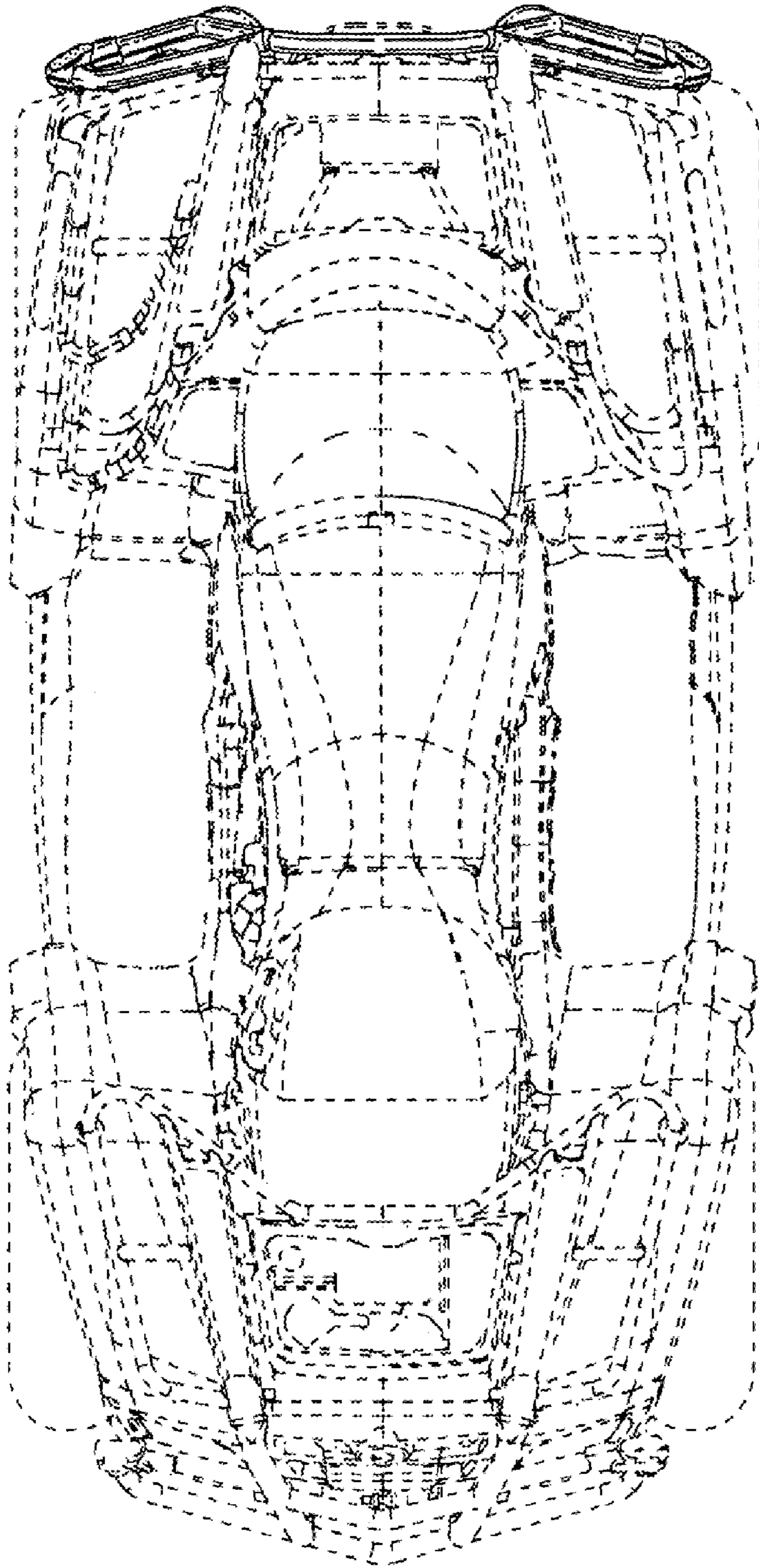


FIG. 6