



US00D559154S

(12) **United States Design Patent**  
**Ho**

(10) **Patent No.:** **US D559,154 S**

(45) **Date of Patent:** **\*\* Jan. 8, 2008**

(54) **CAR**

(76) Inventor: **Yi-Hsin Ho**, No.116, Lane 33, Wunhua Rd., Sijhou Township, Changhua County 524 (TW)

(\*\*) Term: **14 Years**

(21) Appl. No.: **29/260,660**

(22) Filed: **May 31, 2006**

(51) **LOC (8) Cl.** ..... **12-11**

(52) **U.S. Cl.** ..... **D12/107**

(58) **Field of Classification Search** ..... D12/110-113, D12/107, 16; D34/15; D21/419-435, 533-539, D21/548-551; 280/827, 828, 1.13, 87.021, 280/282, 230, 210-212, DIG. 5, 265-267; 446/424, 425, 427, 433, 450, 454, 456, 457, 446/465, 470; 180/210-217, 220, 205-207  
See application file for complete search history.

(56) **References Cited**

**U.S. PATENT DOCUMENTS**

D430,619 S \* 9/2000 Wang et al. .... D21/433

\* cited by examiner

*Primary Examiner*—Cathron Brooks

*Assistant Examiner*—Linda Brooks

(74) *Attorney, Agent, or Firm*—Rabin & Berdo, P.C.

(57) **CLAIM**

The ornamental design for a car, as shown and described.

**DESCRIPTION**

FIG. 1 is a front elevational view of a car showing my new design;

FIG. 2 is a rear elevational view thereof;

FIG. 3 is a left elevational view thereof;

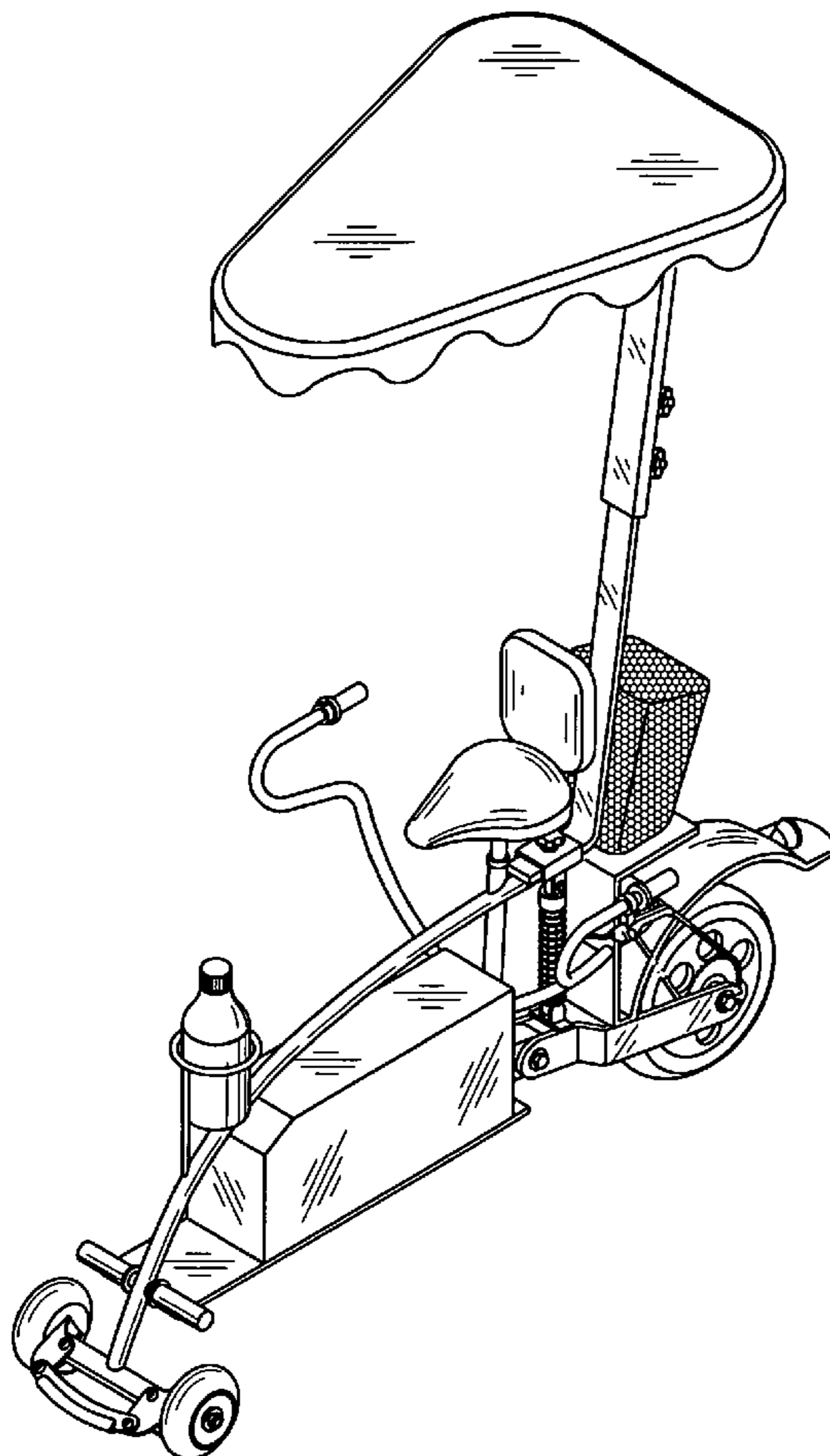
FIG. 4 is a right elevational view thereof;

FIG. 5 is a top plan elevational view thereof;

FIG. 6 is a bottom plan elevational view thereof; and,

FIG. 7 is a perspective view thereof.

**1 Claim, 4 Drawing Sheets**



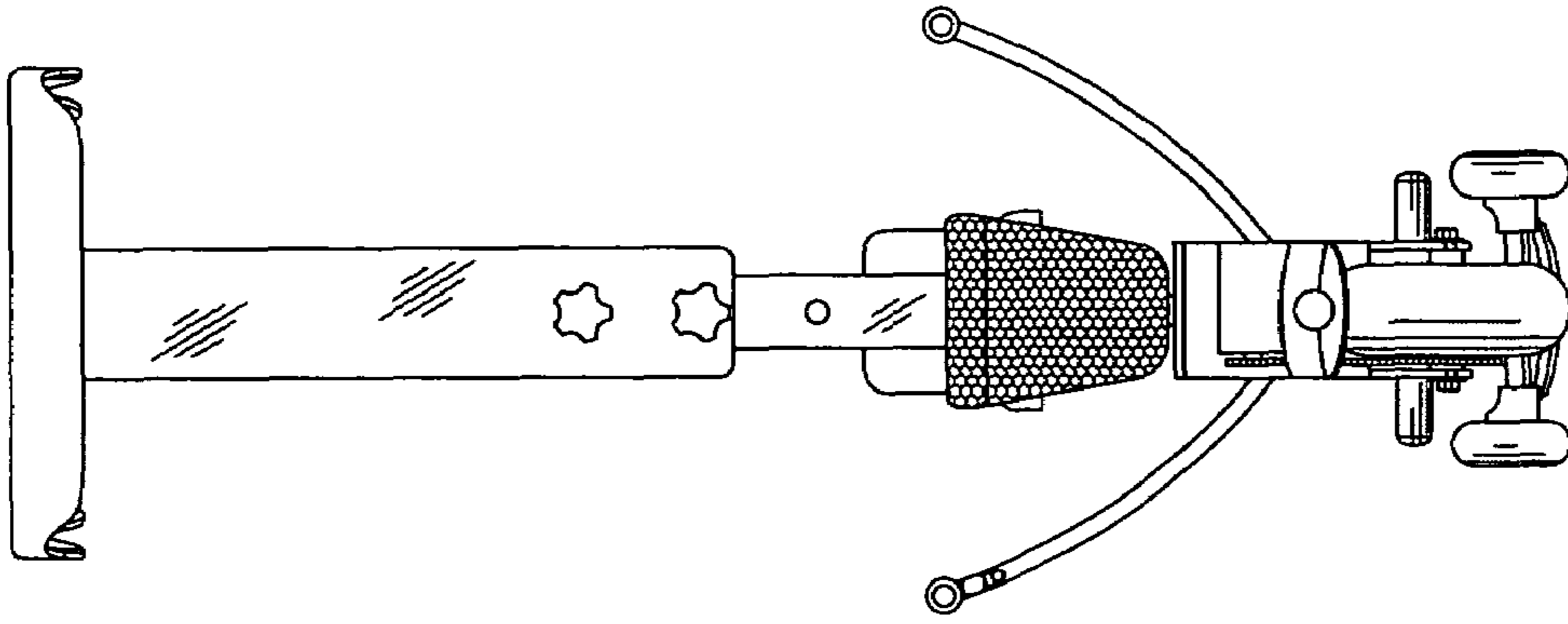


FIG. 2

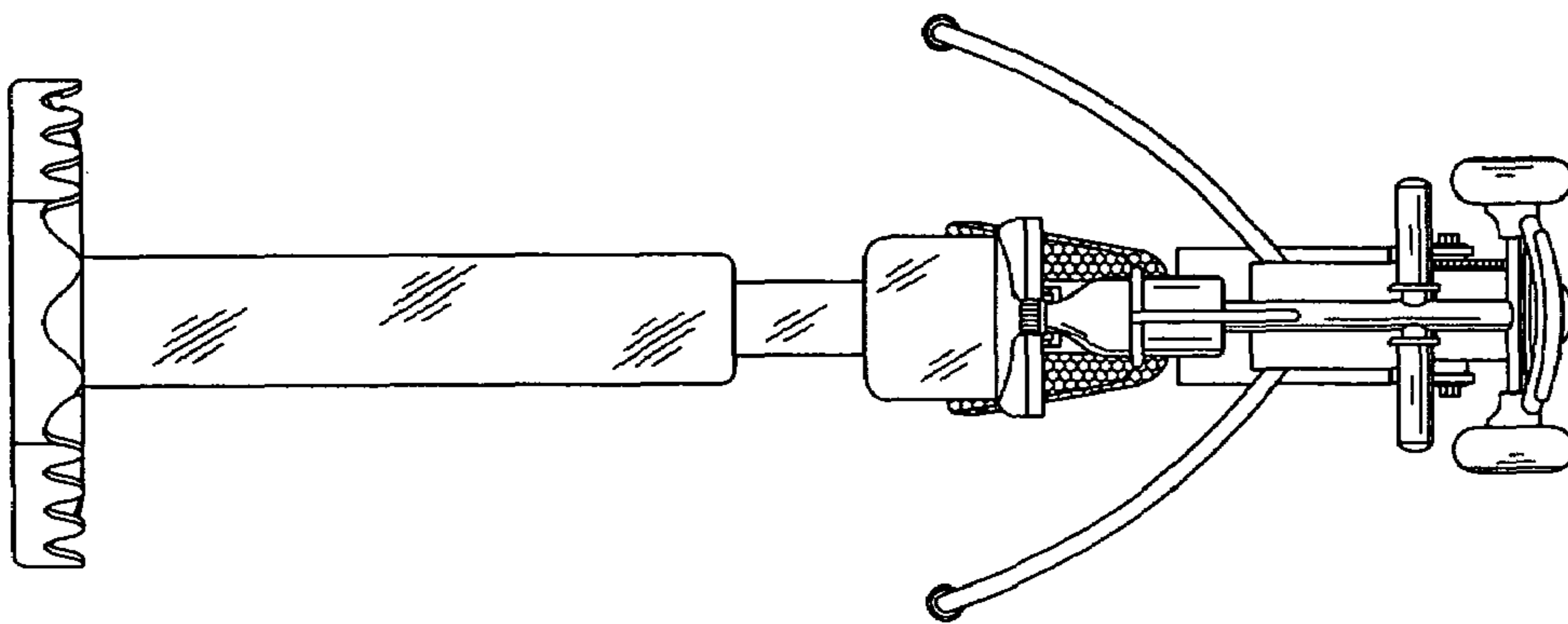


FIG. 1

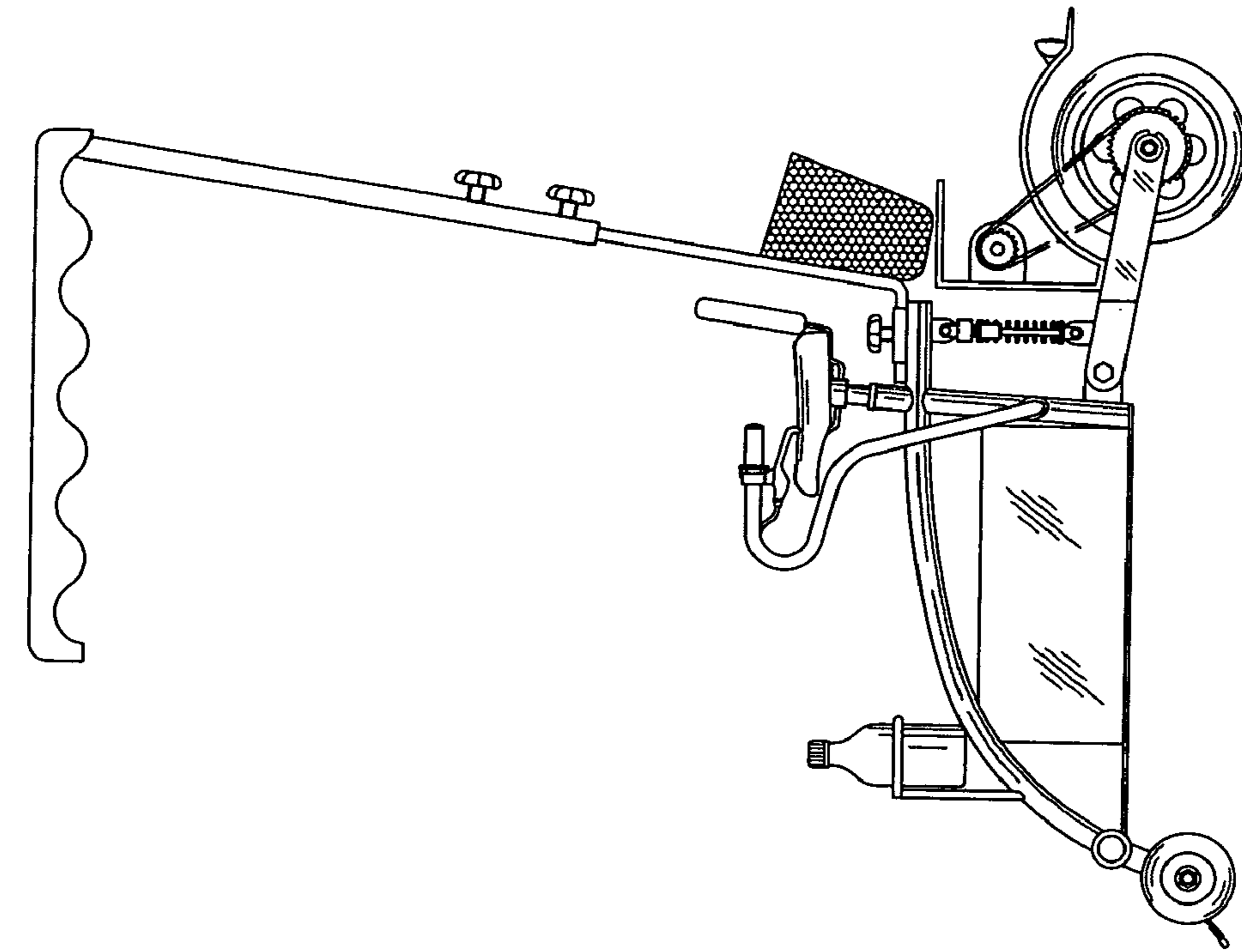


FIG. 4

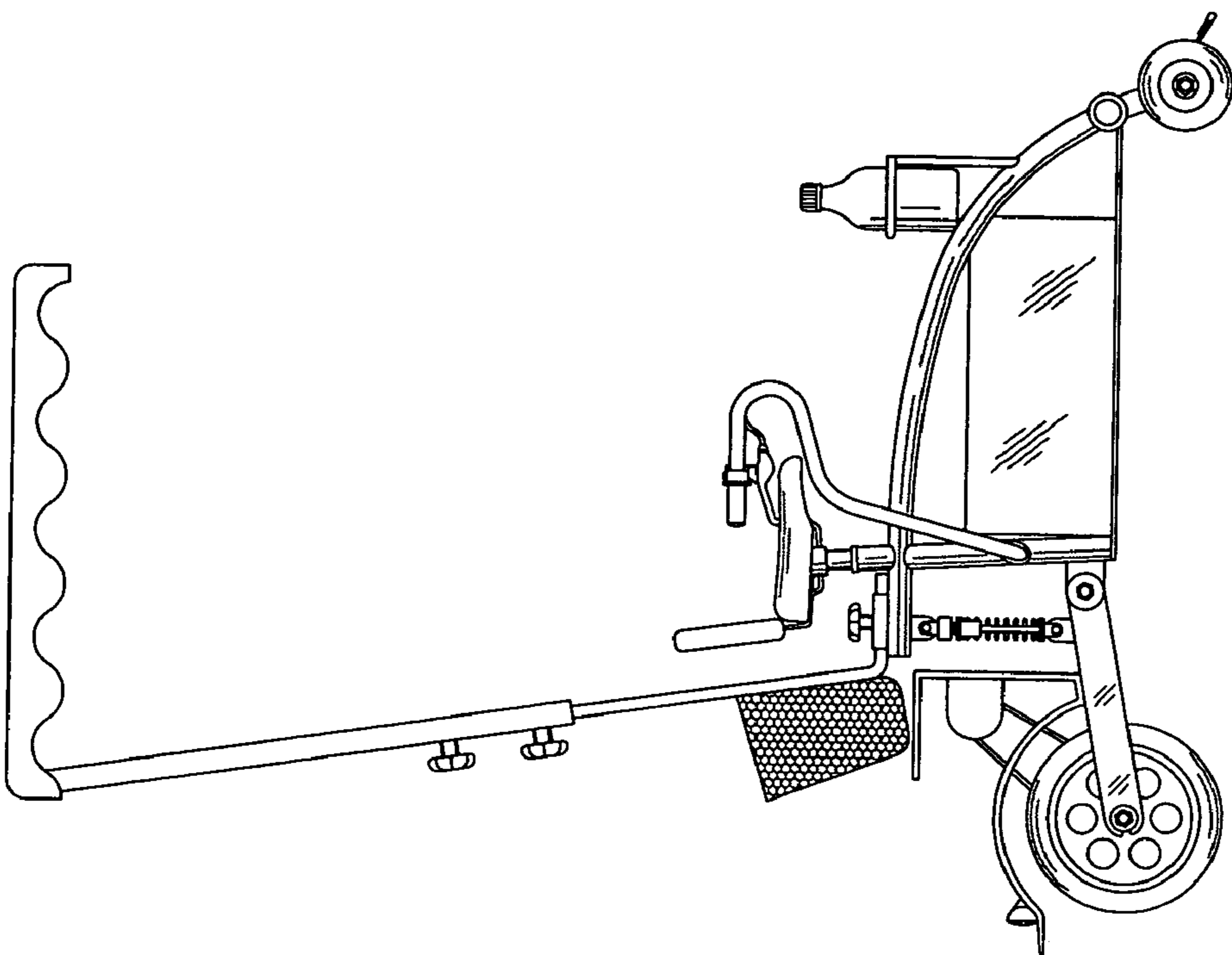


FIG. 3

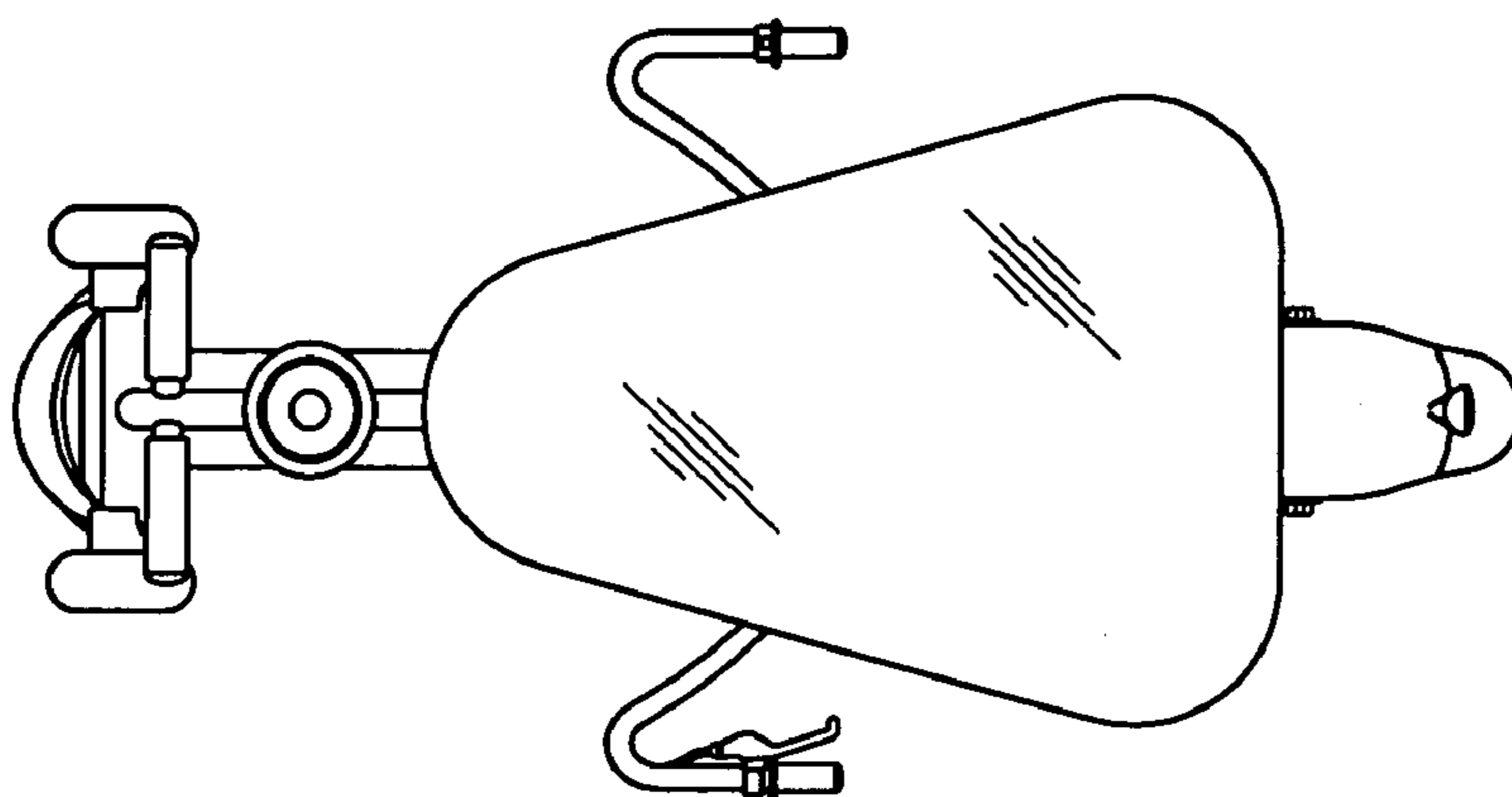


FIG. 5

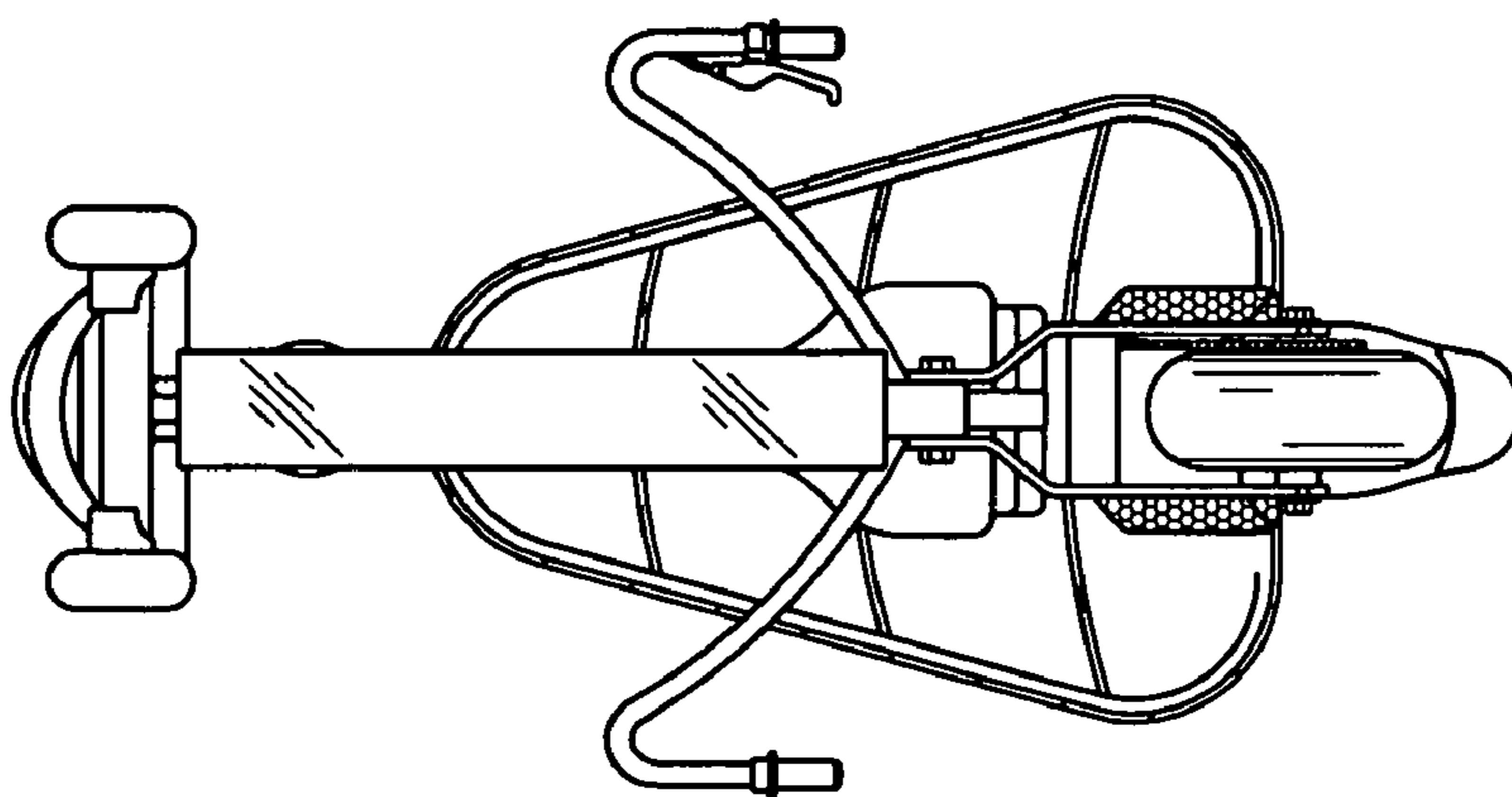


FIG. 6

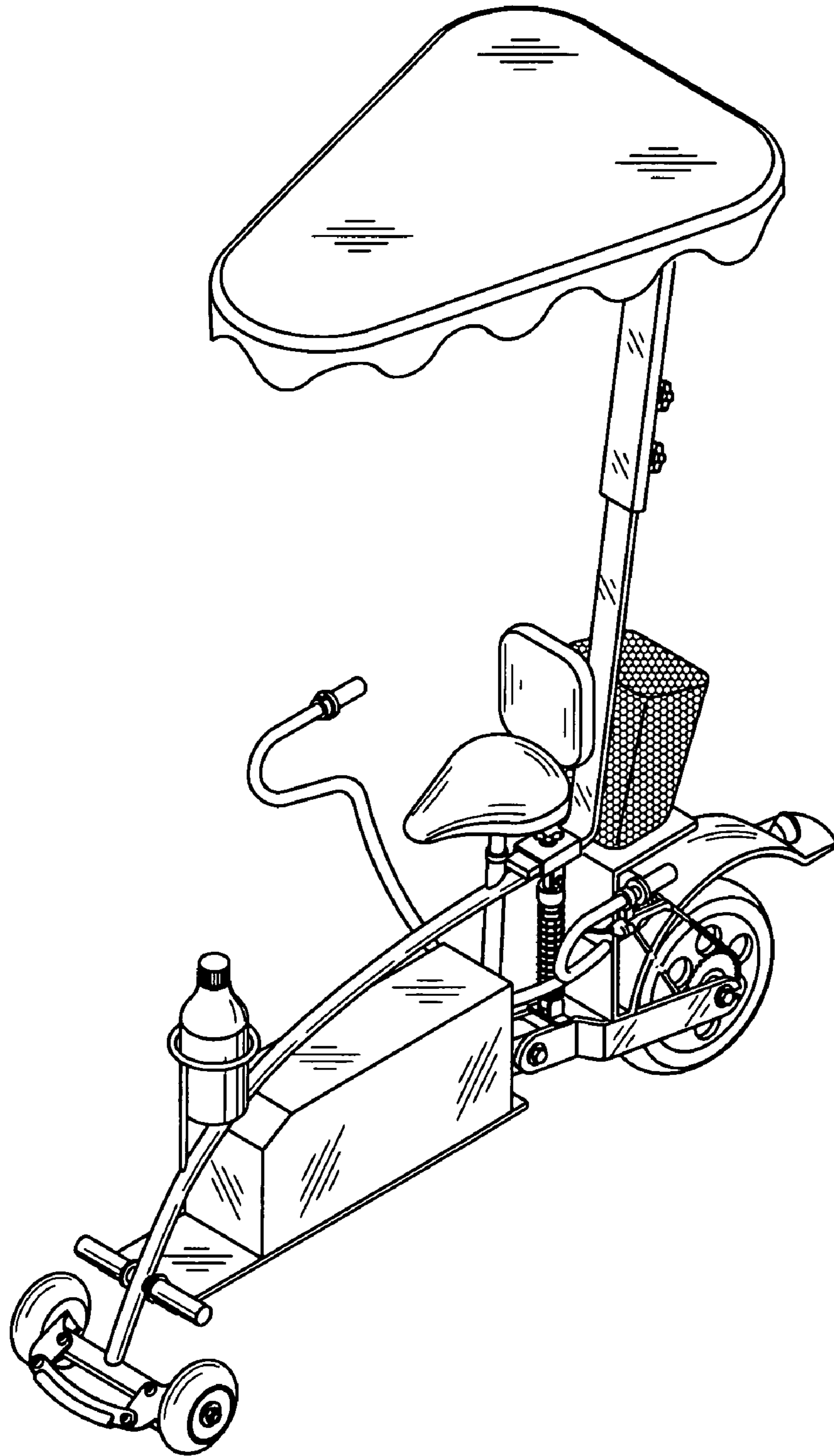


FIG. 7