



US00D559147S

(12) **United States Design Patent**
Yang

(10) **Patent No.:** **US D559,147 S**

(45) **Date of Patent:** **** Jan. 8, 2008**

(54) **PULL TAB**

(74) *Attorney, Agent, or Firm*—Troxell Law Office, PLLC

(75) **Inventor:** **Shih-Sheng Yang**, Taipei Hsien (TW)

(57) **CLAIM**

(73) **Assignee:** **Universal Trim Supply Co., Ltd.**,
Taipei Hsien (TW)

The ornamental design for a pull tab, as shown and described.

(**) **Term:** **14 Years**

DESCRIPTION

(21) **Appl. No.:** **29/253,248**

FIG. 1 is a perspective view of a pull tab for zipper;

(22) **Filed:** **Feb. 3, 2006**

FIG. 2 is a front view thereof;

(51) **LOC (8) Cl.** **02-07**

FIG. 3 is a back view thereof;

(52) **U.S. Cl.** **D11/221**

FIG. 4 is a left side view thereof;

(58) **Field of Classification Search** D11/200,
D11/201, 221; 24/415-417, 419, 421, 427-431,
24/381-382, 385, 387, 433; 384/64
See application file for complete search history.

FIG. 5 is a right side view thereof;

FIG. 6 is a top view thereof;

FIG. 7 is a bottom view thereof; and,

(56) **References Cited**

FIG. 8 is a perspective view, wherein the pull tab is connected to a zipper by applying the rope member.

U.S. PATENT DOCUMENTS

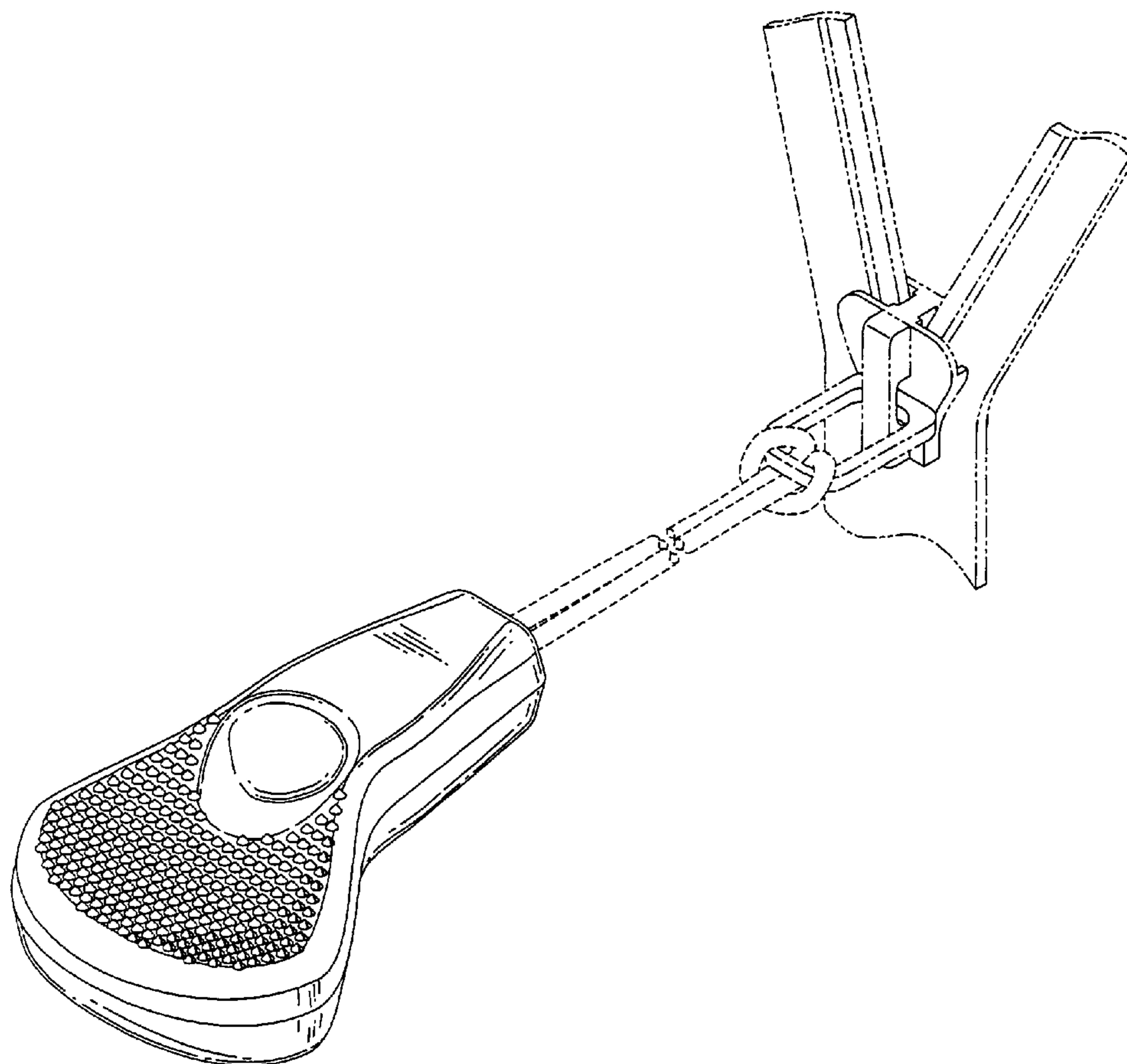
It being understood that the broken lines in FIG. 8 are for exemplary illustrative purposes only and form no part of the claimed design.

D291,546 S * 8/1987 Oda D11/221

* cited by examiner

1 Claim, 6 Drawing Sheets

Primary Examiner—Ralf Seifert



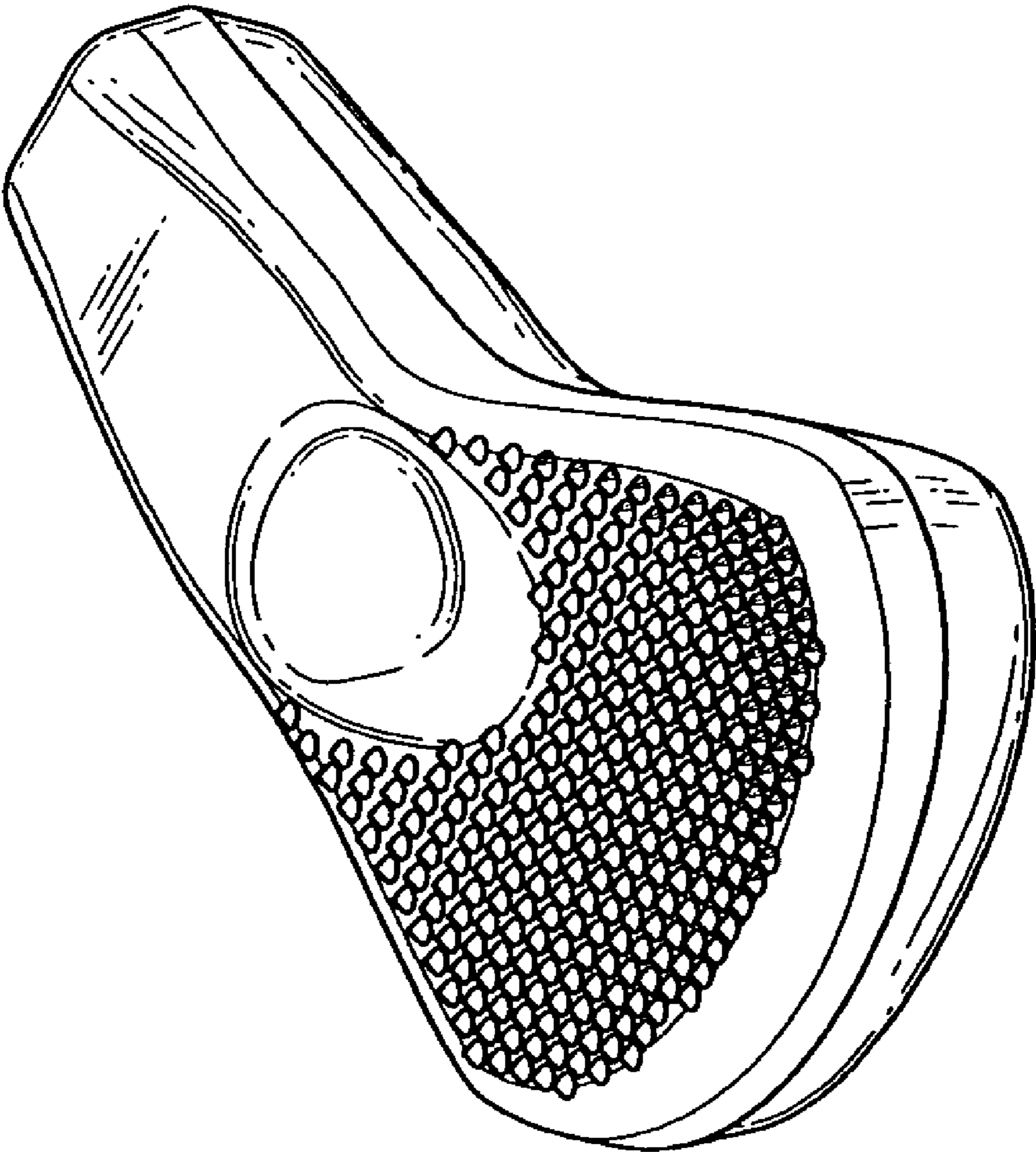


FIG. 1

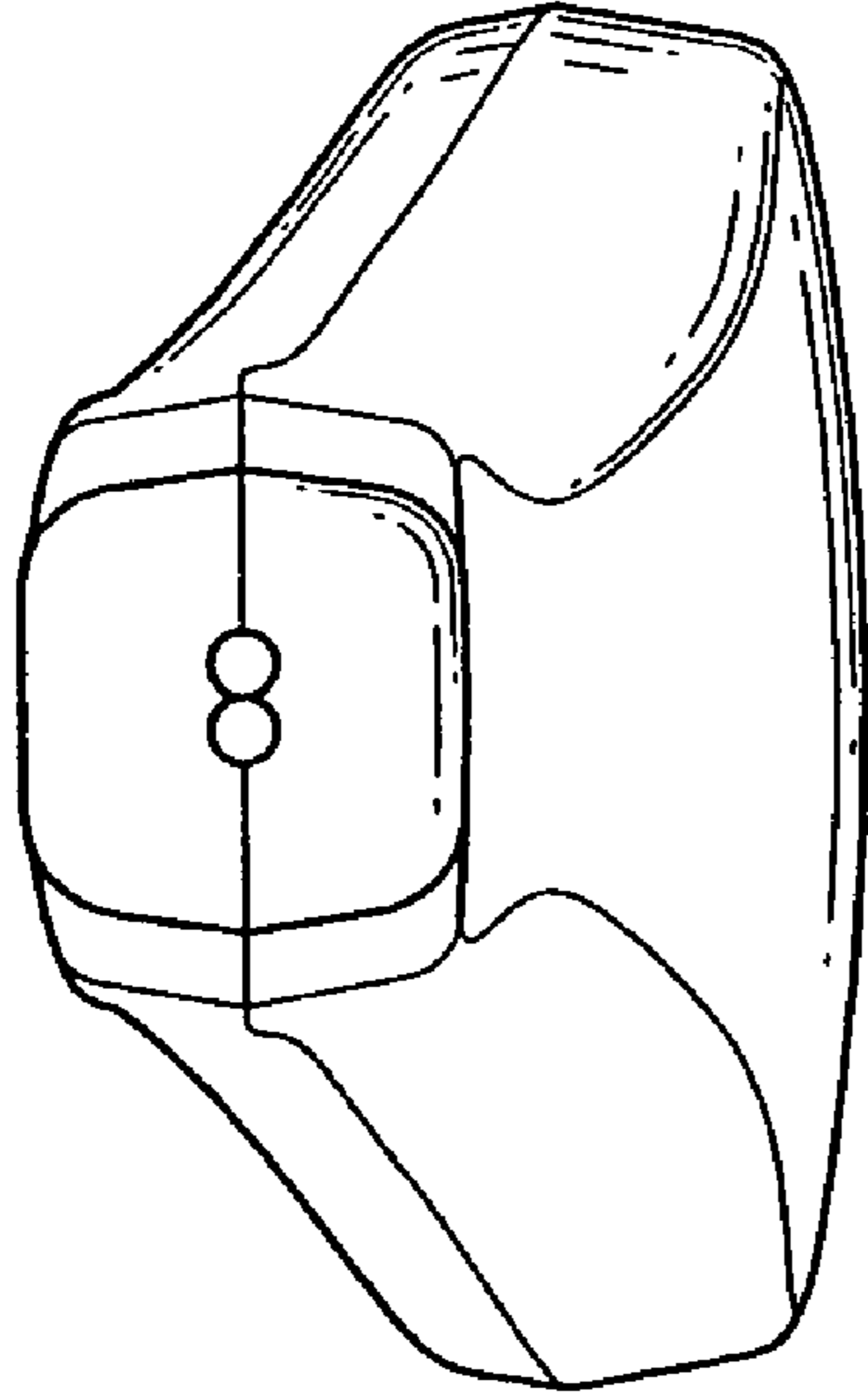


FIG. 3

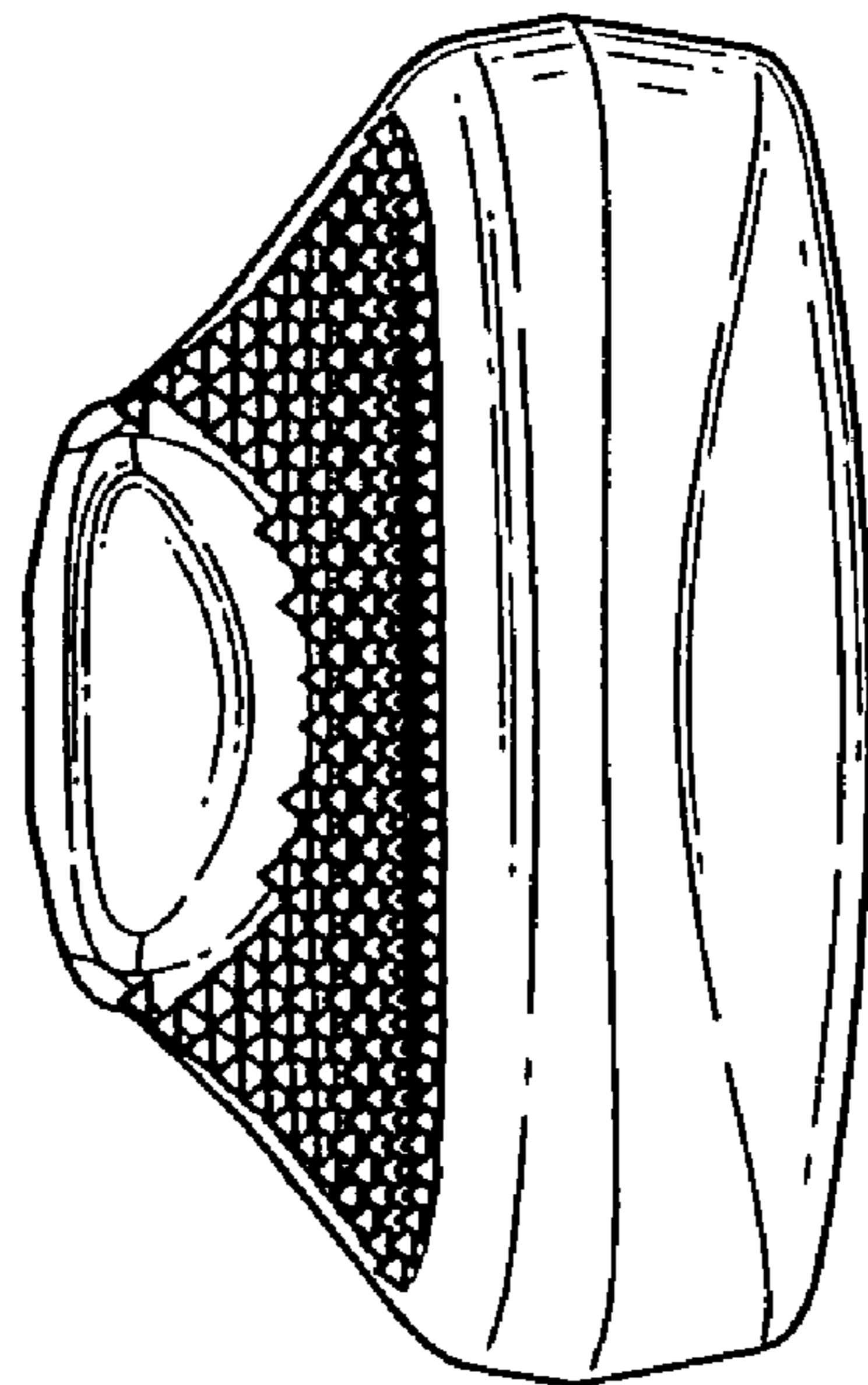


FIG. 2

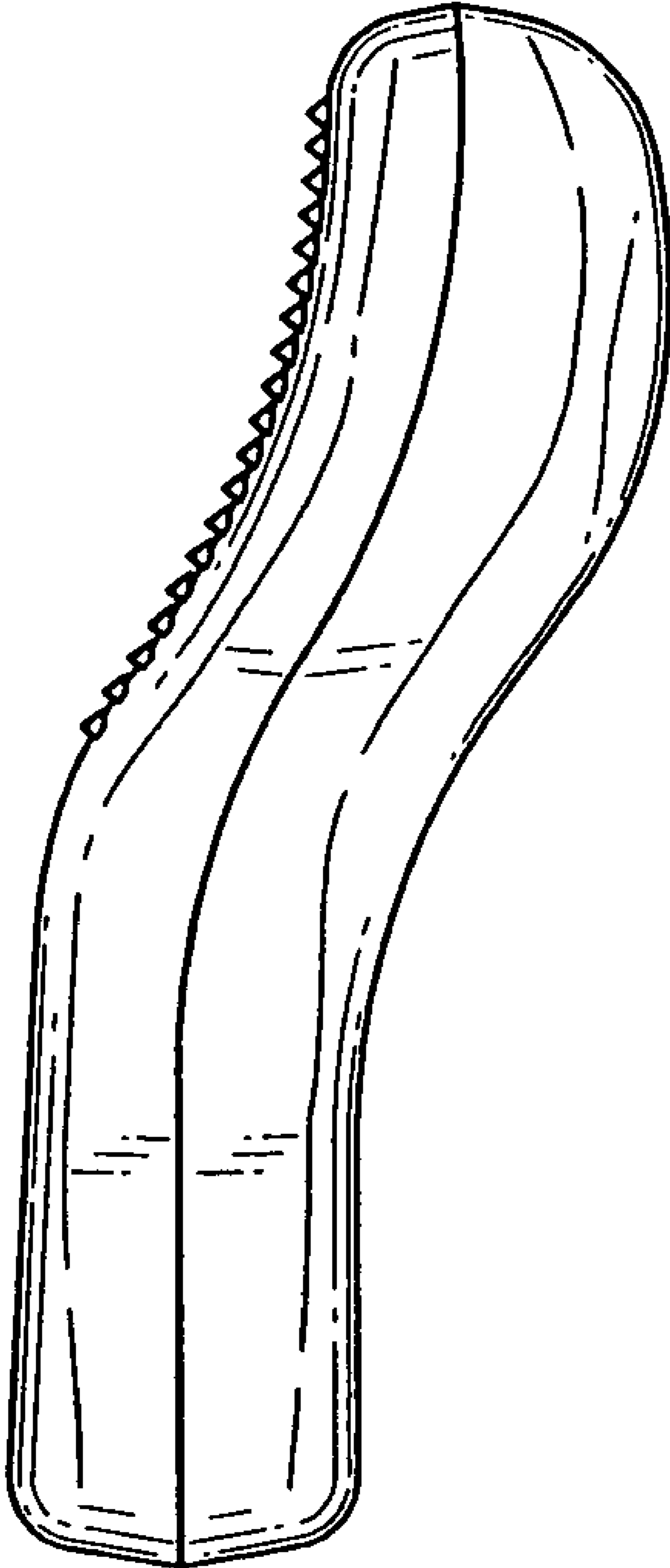


FIG. 4

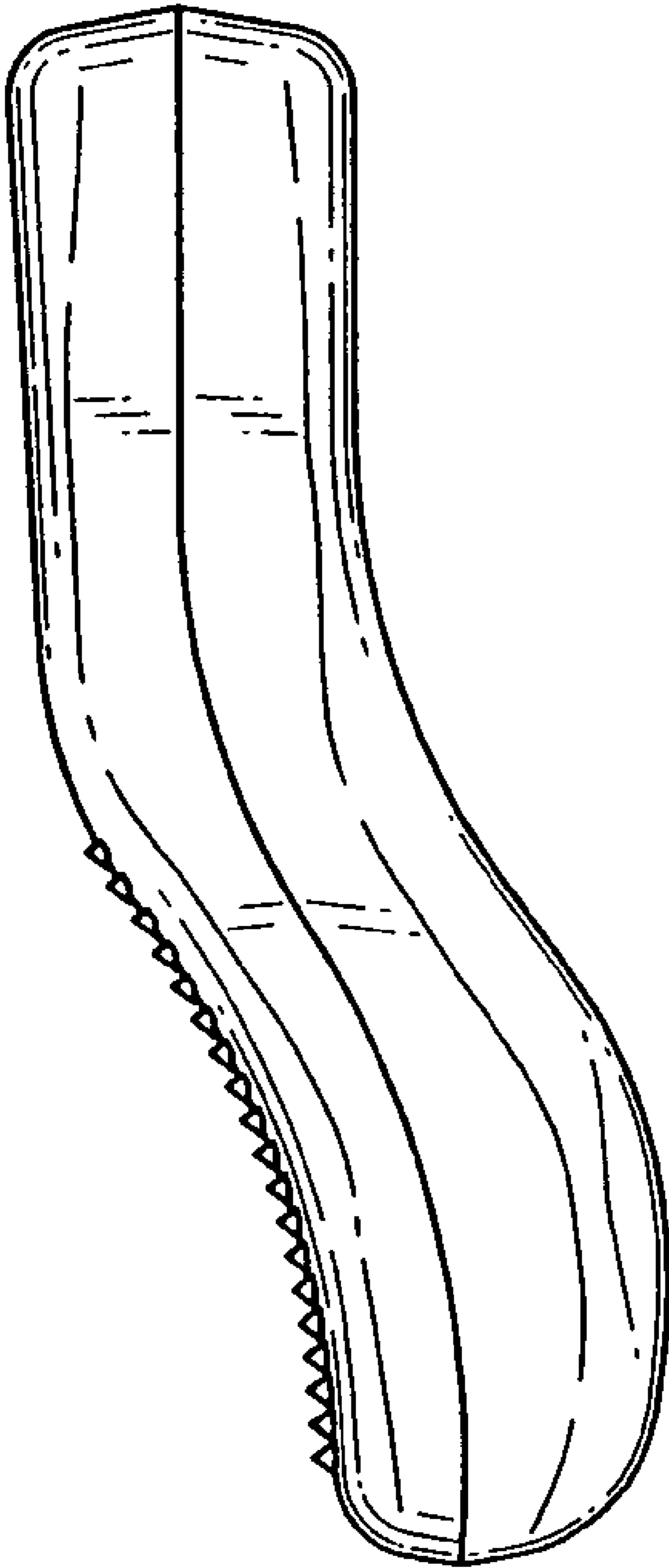


FIG. 5

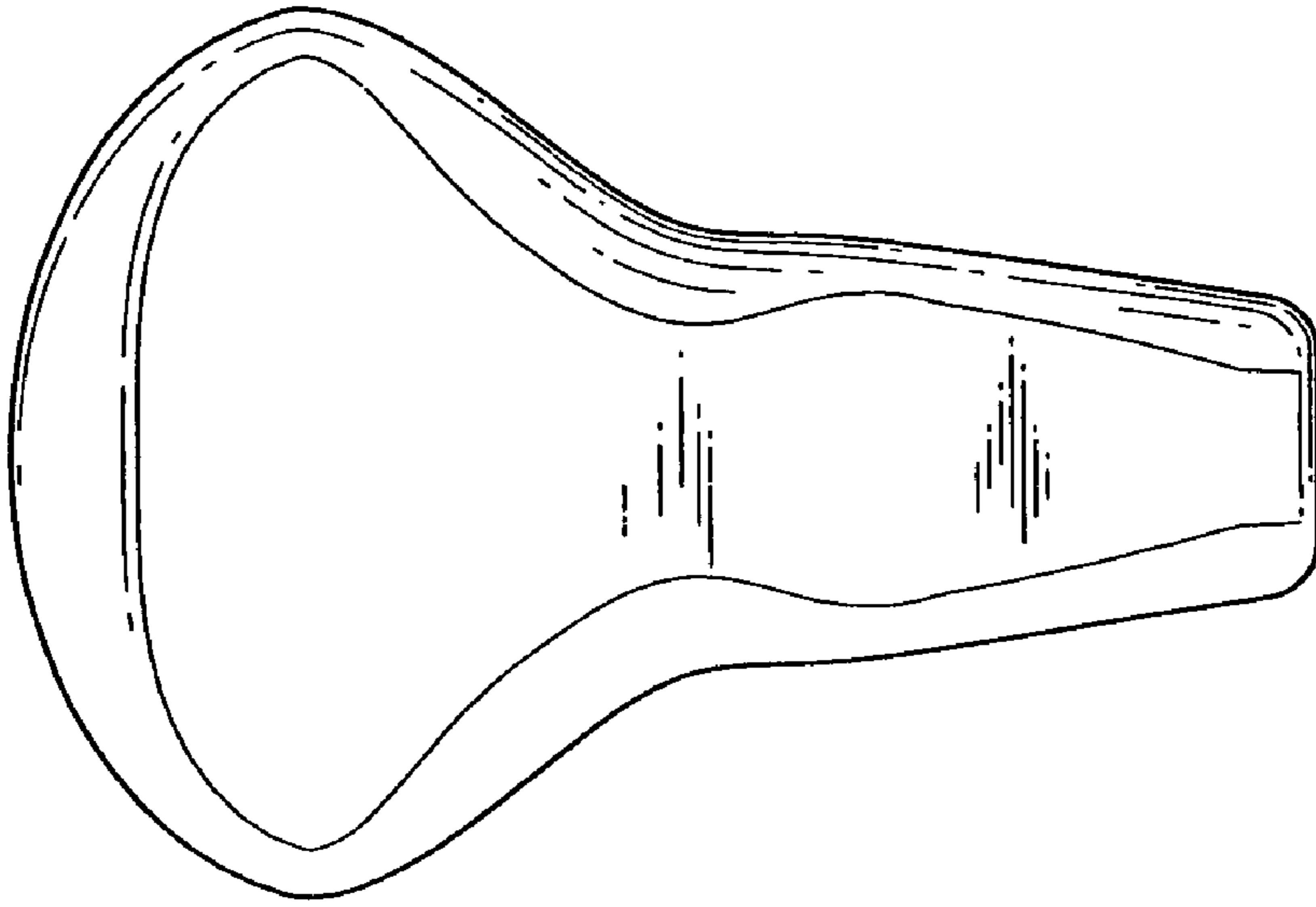


FIG. 7

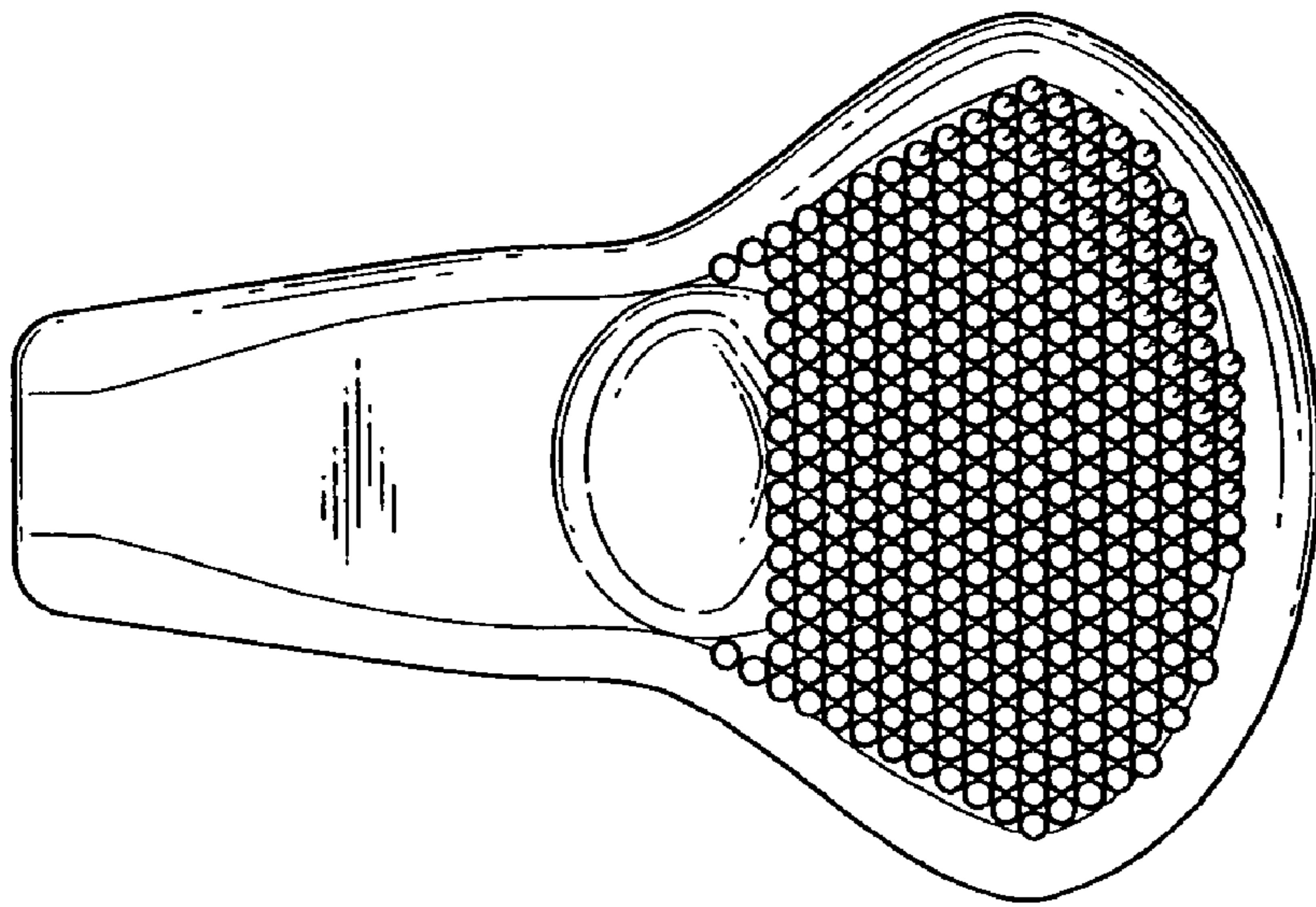


FIG. 6

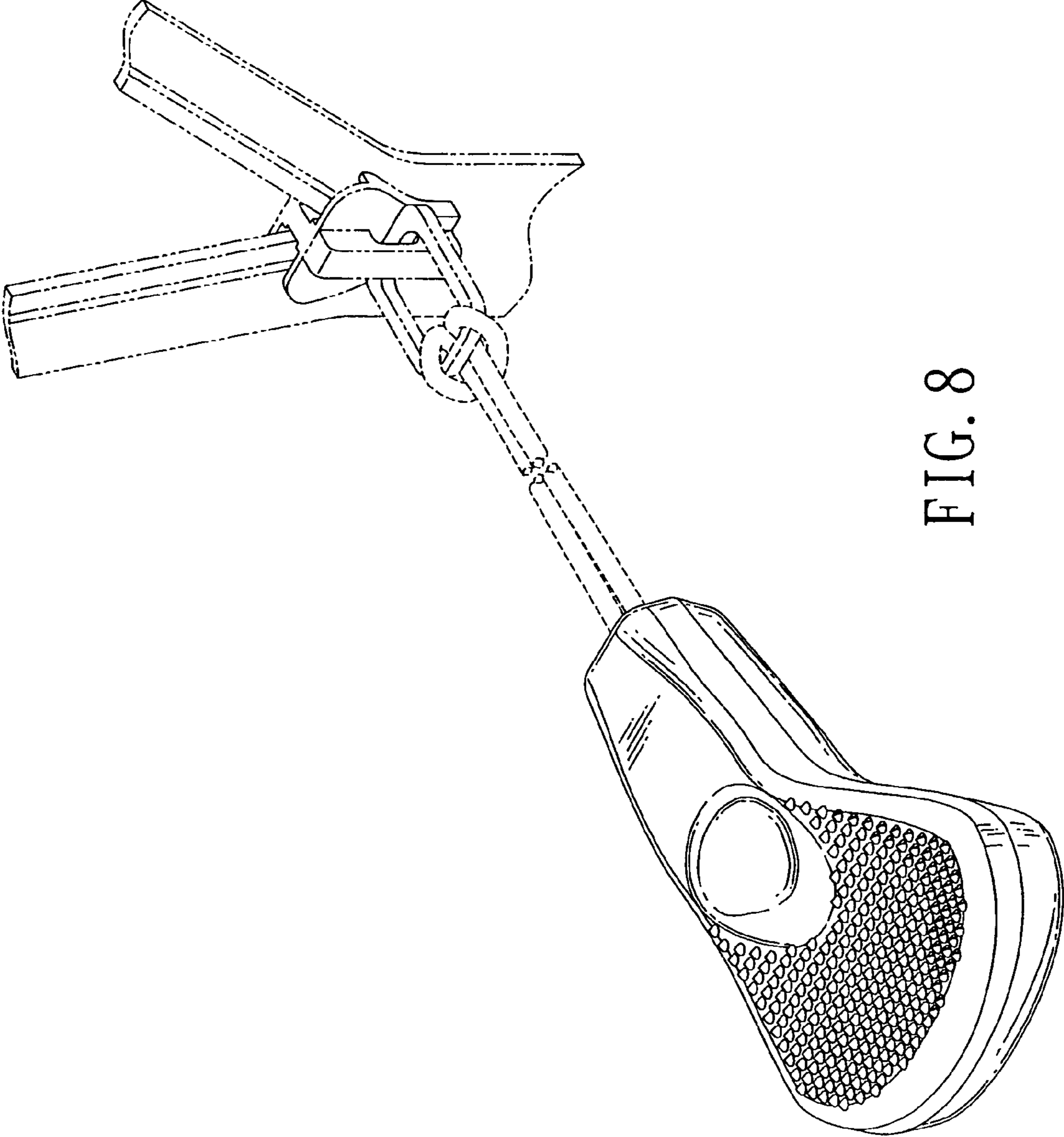


FIG. 8