



US00D559139S

(12) **United States Design Patent**  
**Mazzucchelli**

(10) **Patent No.:** **US D559,139 S**  
(45) **Date of Patent:** **\*\* Jan. 8, 2008**

(54) **ANTI-THEFT DEVICE**

(75) **Inventor:** **Corrado Mazzucchelli**, Grumello Del Monte (IT)

(73) **Assignee:** **Plasti-Max SpA**, Bergamo (IT)

(\*\*) **Term:** **14 Years**

(21) **Appl. No.:** **29/274,878**

(22) **Filed:** **Jun. 4, 2007**

**Related U.S. Application Data**

(62) Division of application No. 29/217,455, filed on Nov. 17, 2004.

(51) **LOC (8) Cl.** ..... **10-05**

(52) **U.S. Cl.** ..... **D10/104**

(58) **Field of Classification Search** ..... D10/104-121;  
D12/162; 70/18, 19, 58-76, 209; D8/330,  
D8/333, 336

See application file for complete search history.

(56) **References Cited**

**U.S. PATENT DOCUMENTS**

3,999,409	A	12/1976	Bell	
D294,451	S	3/1988	Gregg et al.	
5,193,366	A *	3/1993	Brinkman	70/18
D351,983	S *	11/1994	Young et al.	D8/331
5,671,619	A	9/1997	Hou	

D389,442	S	1/1998	Kantor	
D389,724	S	1/1998	Webster	
5,806,350	A	9/1998	Savinsky	
D402,180	S	12/1998	Chappell	
D451,783	S	12/2001	Yu	
6,860,128	B2 *	3/2005	Chappell	70/202
D508,657	S	8/2005	Belden, Jr.	
2003/0101779	A1 *	6/2003	Chappell	70/202
2006/0048551	A1 *	3/2006	Tanos	70/18
2007/0144223	A1 *	6/2007	Stone	70/18

\* cited by examiner

*Primary Examiner*—Robert M. Spear

*Assistant Examiner*—George D Kirschbaum

(74) *Attorney, Agent, or Firm*—Nixon & Vanderhye P.C.

(57) **CLAIM**

The ornamental design for an anti-theft device, as shown.

**DESCRIPTION**

FIG. 1 is a top right side perspective view of an anti-theft device according to my new design,

FIG. 2 is a front view (the rear view is a mirror image),

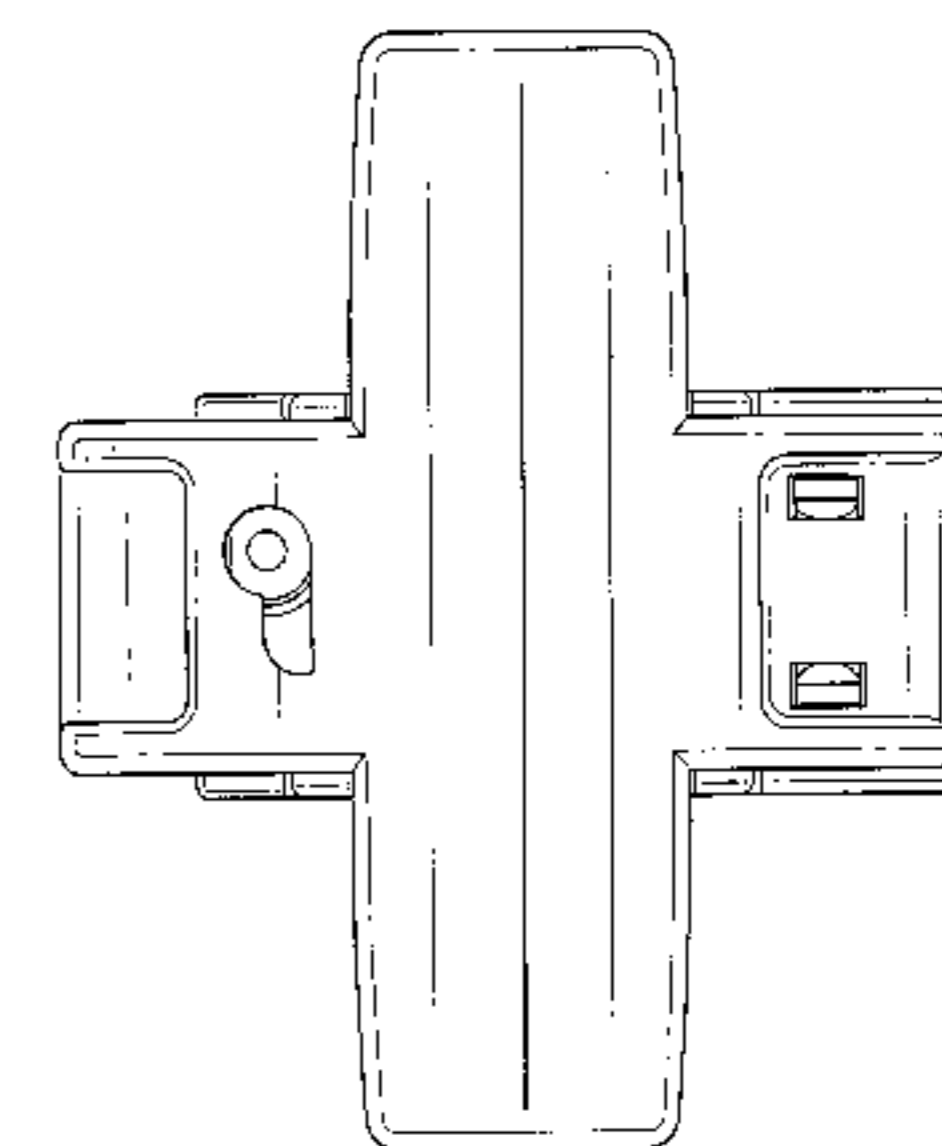
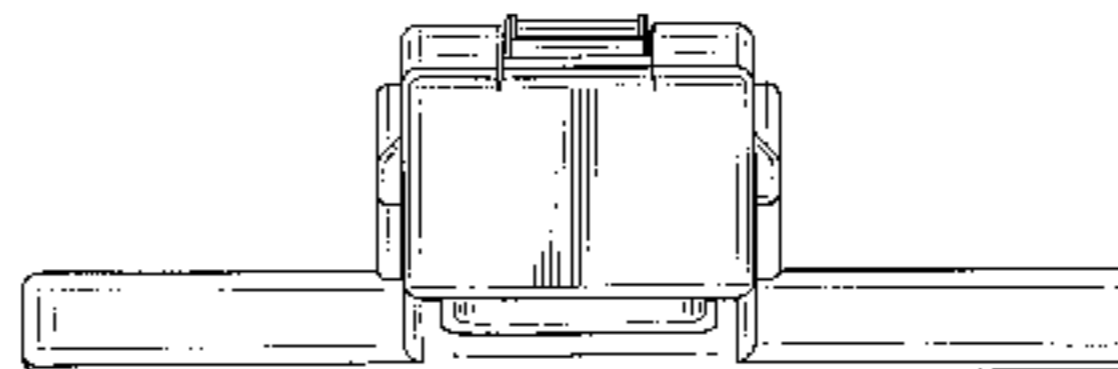
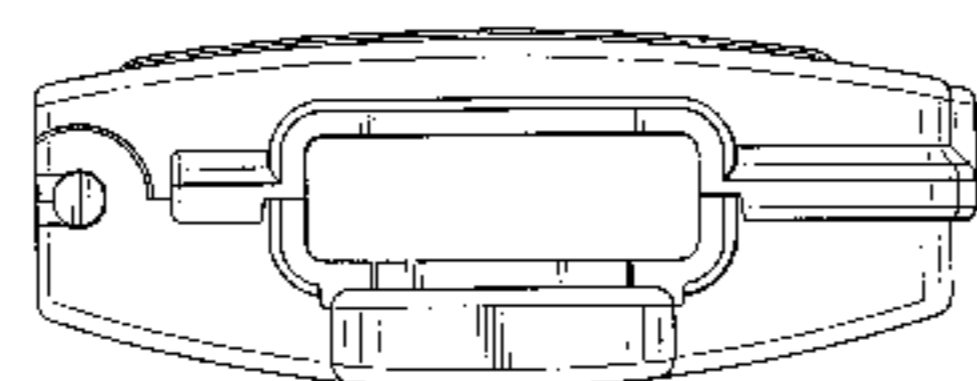
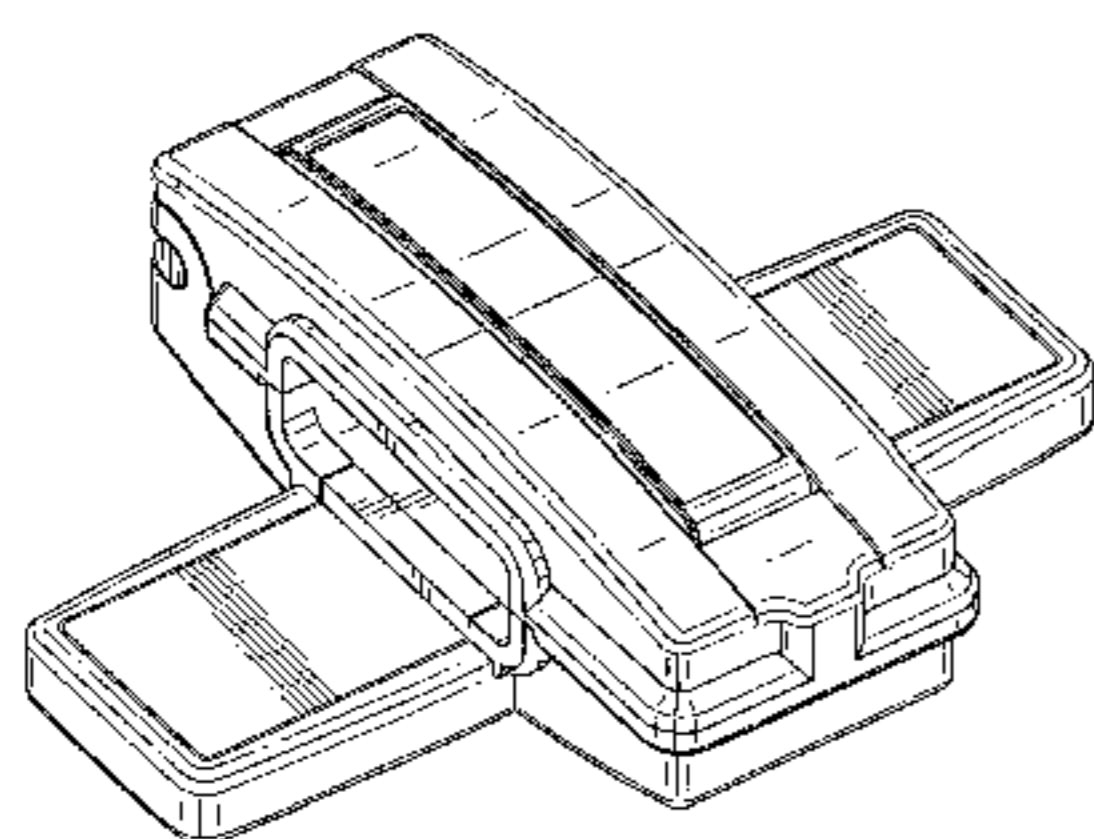
FIG. 3 is a right side view,

FIG. 4 is a left side view,

FIG. 5 is a top view; and,

FIG. 6 is a bottom view.

**1 Claim, 6 Drawing Sheets**



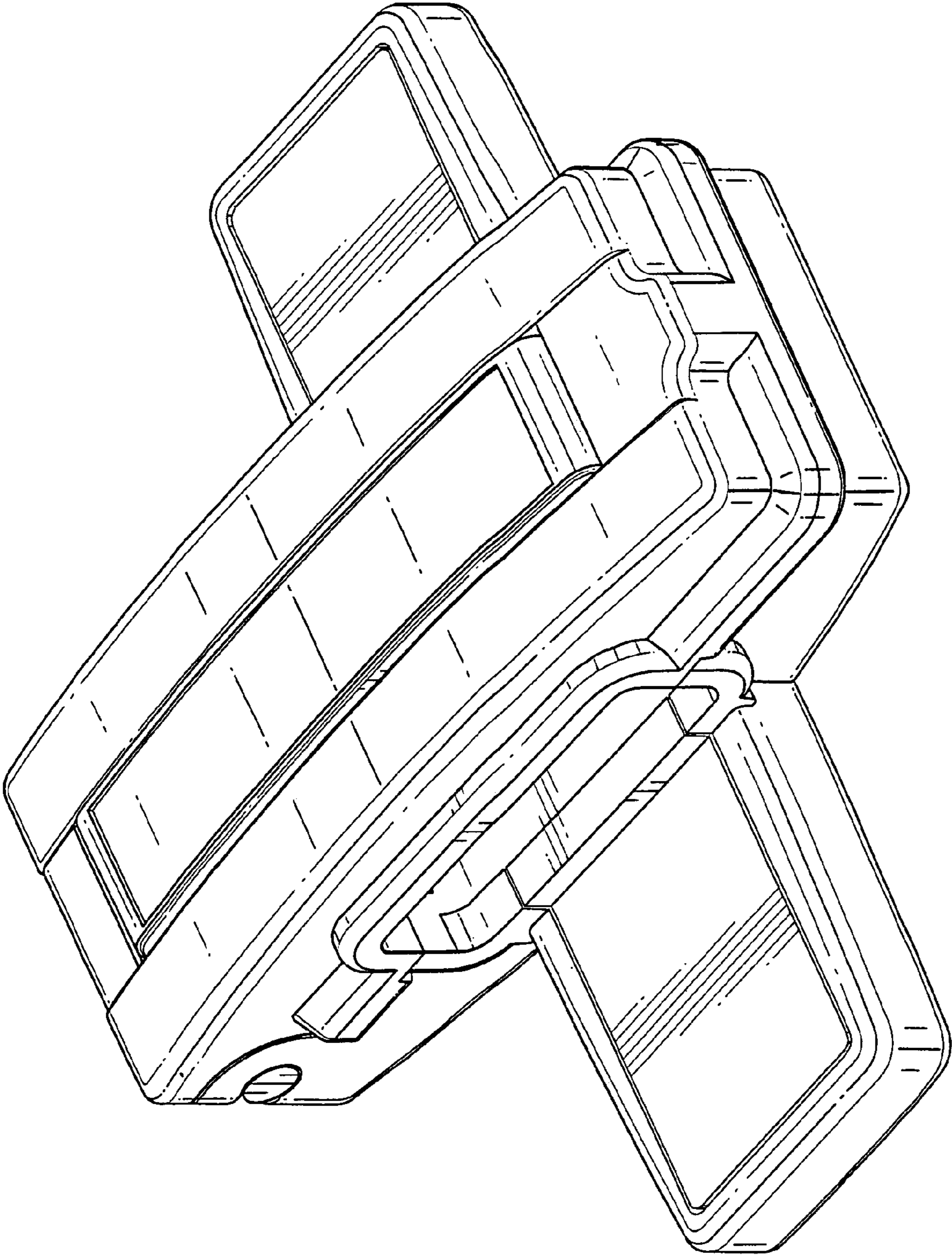


Fig. 1

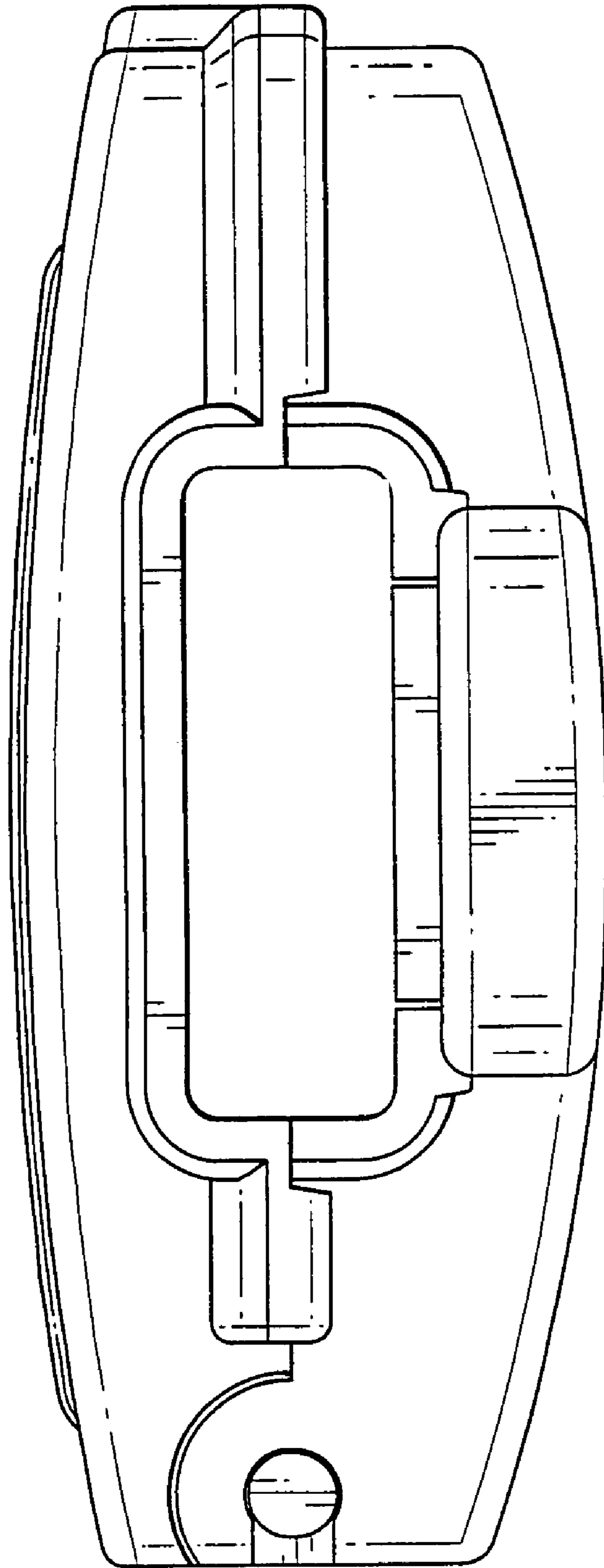


Fig. 2

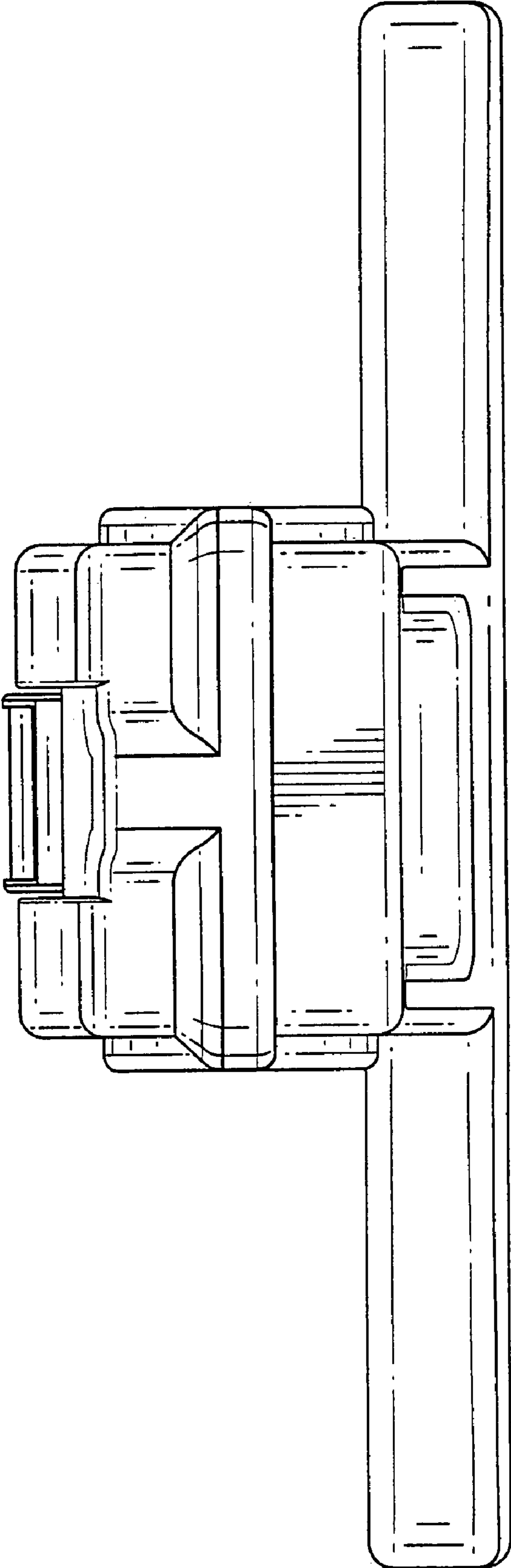


Fig. 3

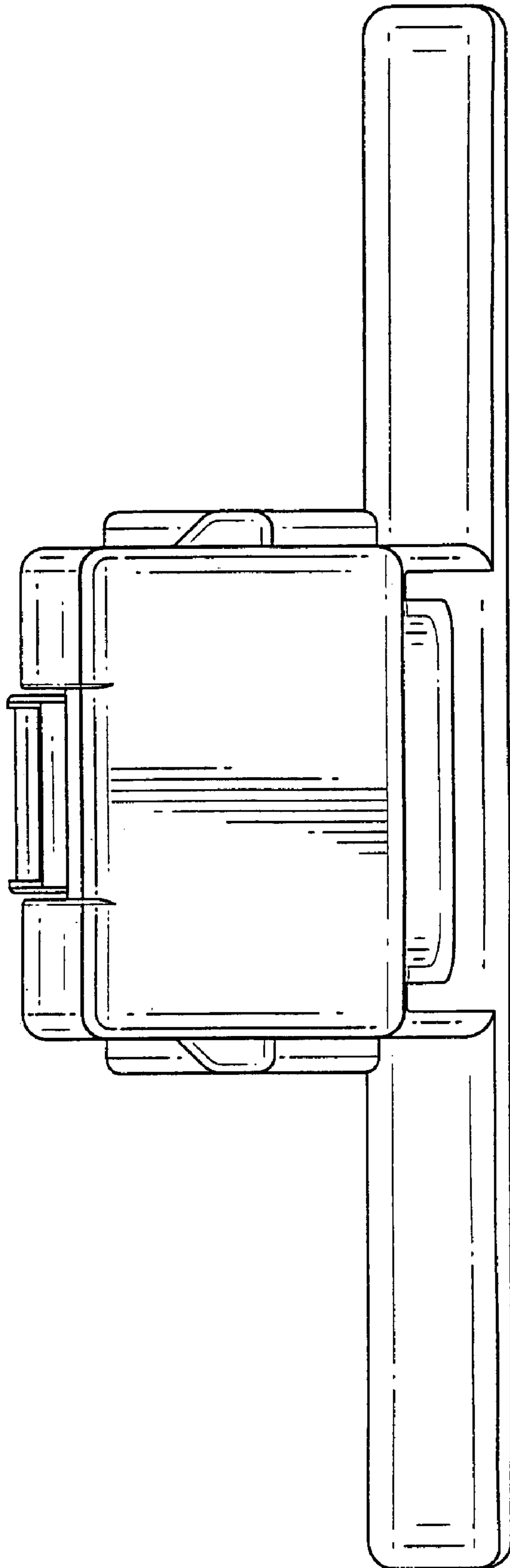


Fig. 4

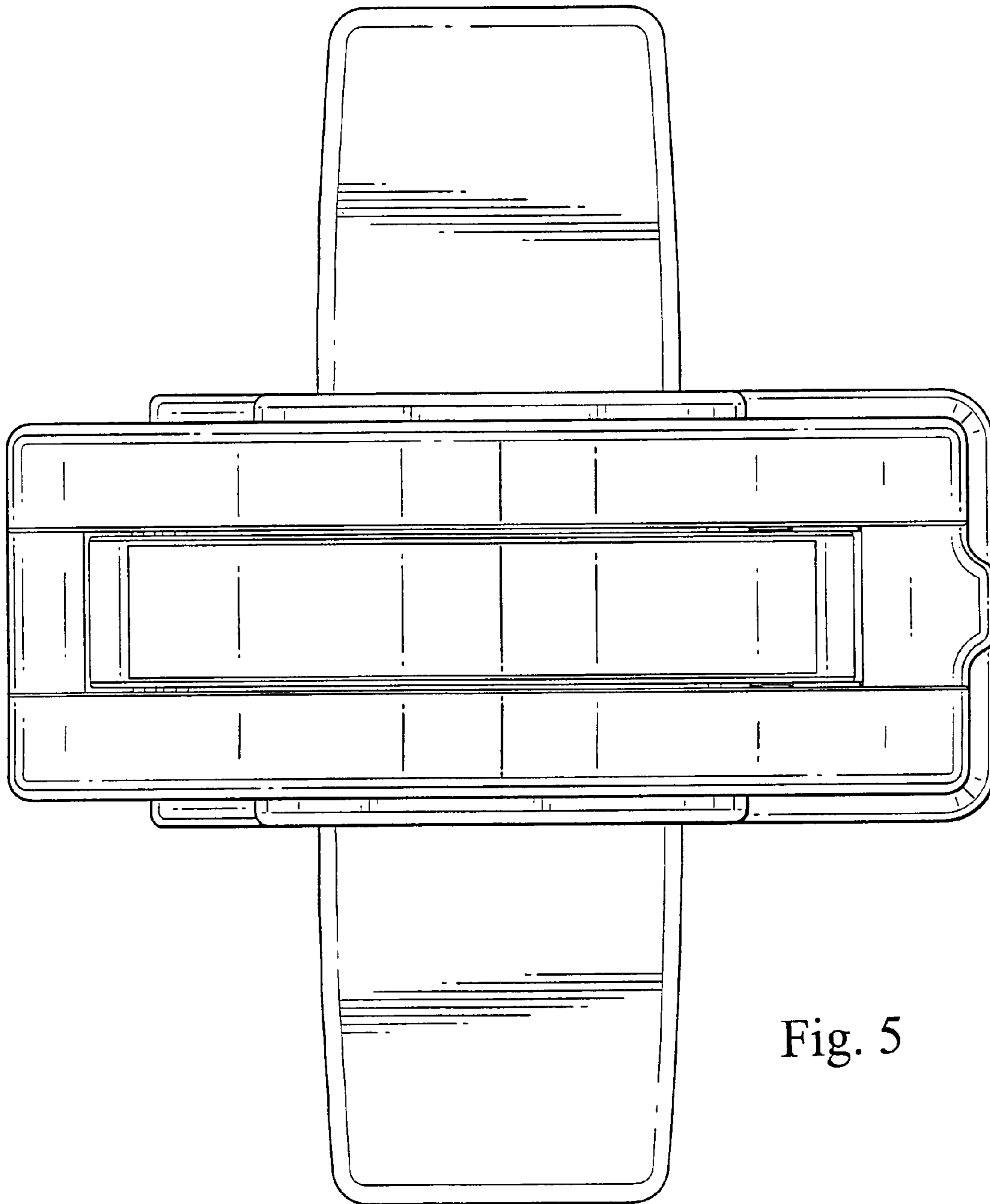


Fig. 5



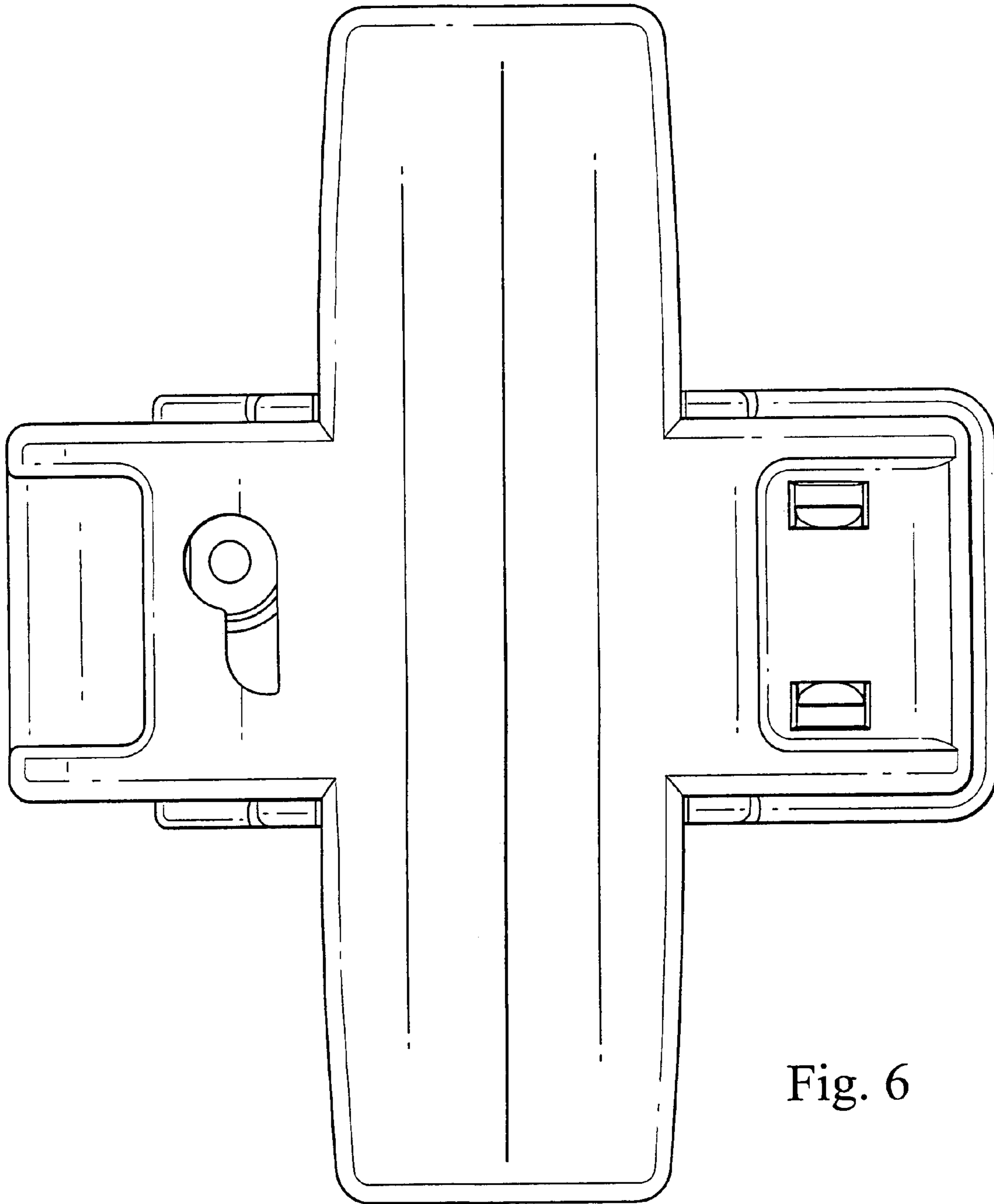


Fig. 6