



US00D559133S

(12) **United States Design Patent**
Ball

(10) **Patent No.:** **US D559,133 S**

(45) **Date of Patent:** **** Jan. 8, 2008**

(54) **TEMPERATURE PROBE**

D487,021 S * 2/2004 Chen D10/50

(75) Inventor: **Alan D Ball**, Somerville, MA (US)

* cited by examiner

(73) Assignee: **Conair Corporation**, Stamford, CT (US)

Primary Examiner—Antoine D. Davis
(74) *Attorney, Agent, or Firm*—Lawrence Cruz

(**) Term: **14 Years**

(57) **CLAIM**

(21) Appl. No.: **29/265,948**

The ornamental design for a temperature probe, as shown.

(22) Filed: **Sep. 12, 2006**

DESCRIPTION

(51) **LOC (8) Cl.** **10-04**

(52) **U.S. Cl.** **D10/60; D10/50**

(58) **Field of Classification Search** D10/49–50,
D10/60; 99/332; 219/494, 497, 213, 506,
219/528, 529, 545, 483, 492, 501, 512, 448.7,
219/508, 505; 374/164, 208

See application file for complete search history.

FIG. 1 is a perspective view of a temperature probe showing my new design;

FIG. 2 is a front view thereof;

FIG. 3 is a right side view thereof;

FIG. 4 is a rear view thereof;

FIG. 5 is a bottom view thereof; and,

FIG. 6 is a top view.

The broken lines are shown for illustrative purposes only and form no part of the claimed design.

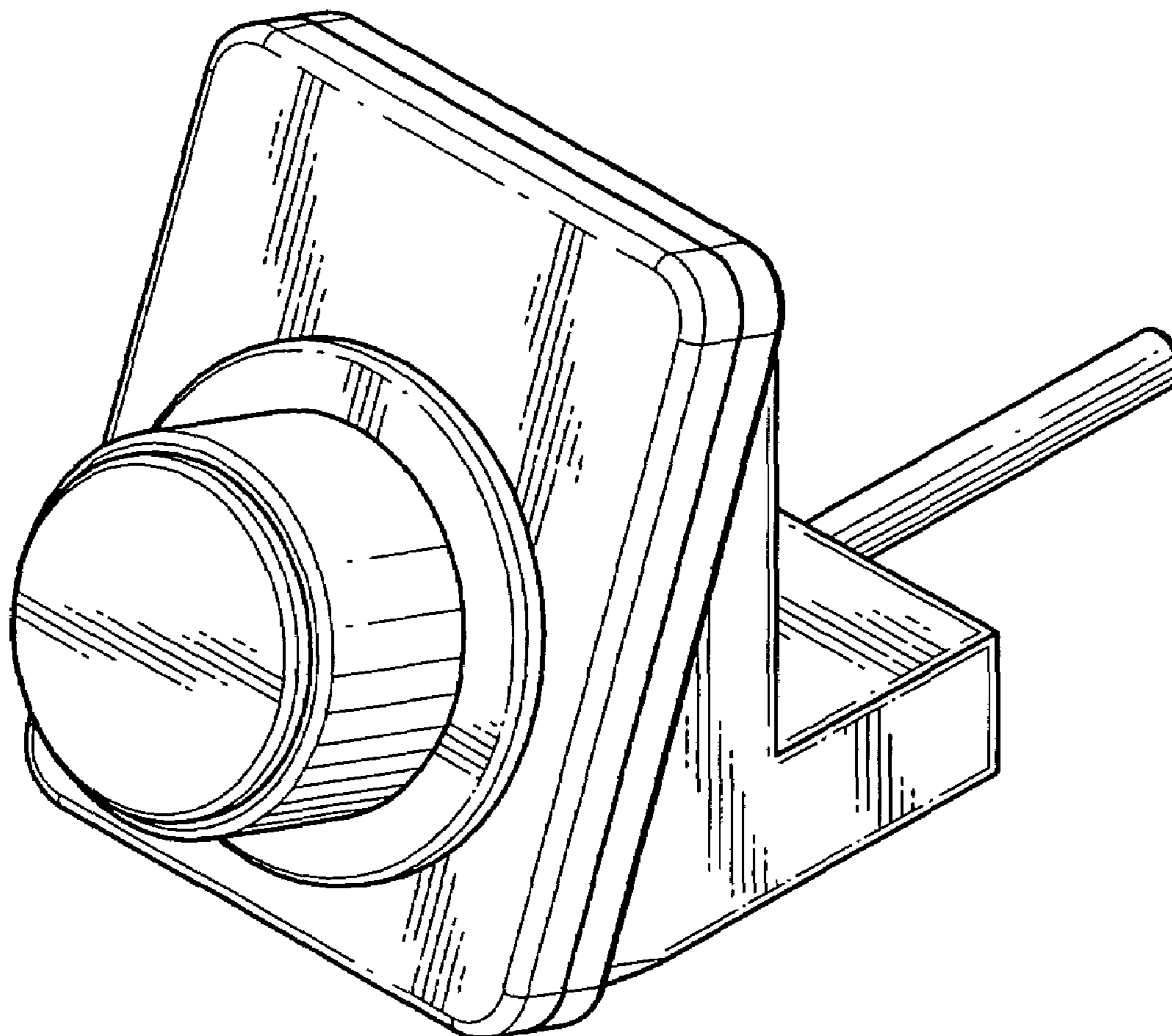
(56) **References Cited**

U.S. PATENT DOCUMENTS

D250,635 S * 12/1978 Carlson et al. D10/50

D253,044 S * 10/1979 Hewson D10/50

1 Claim, 3 Drawing Sheets



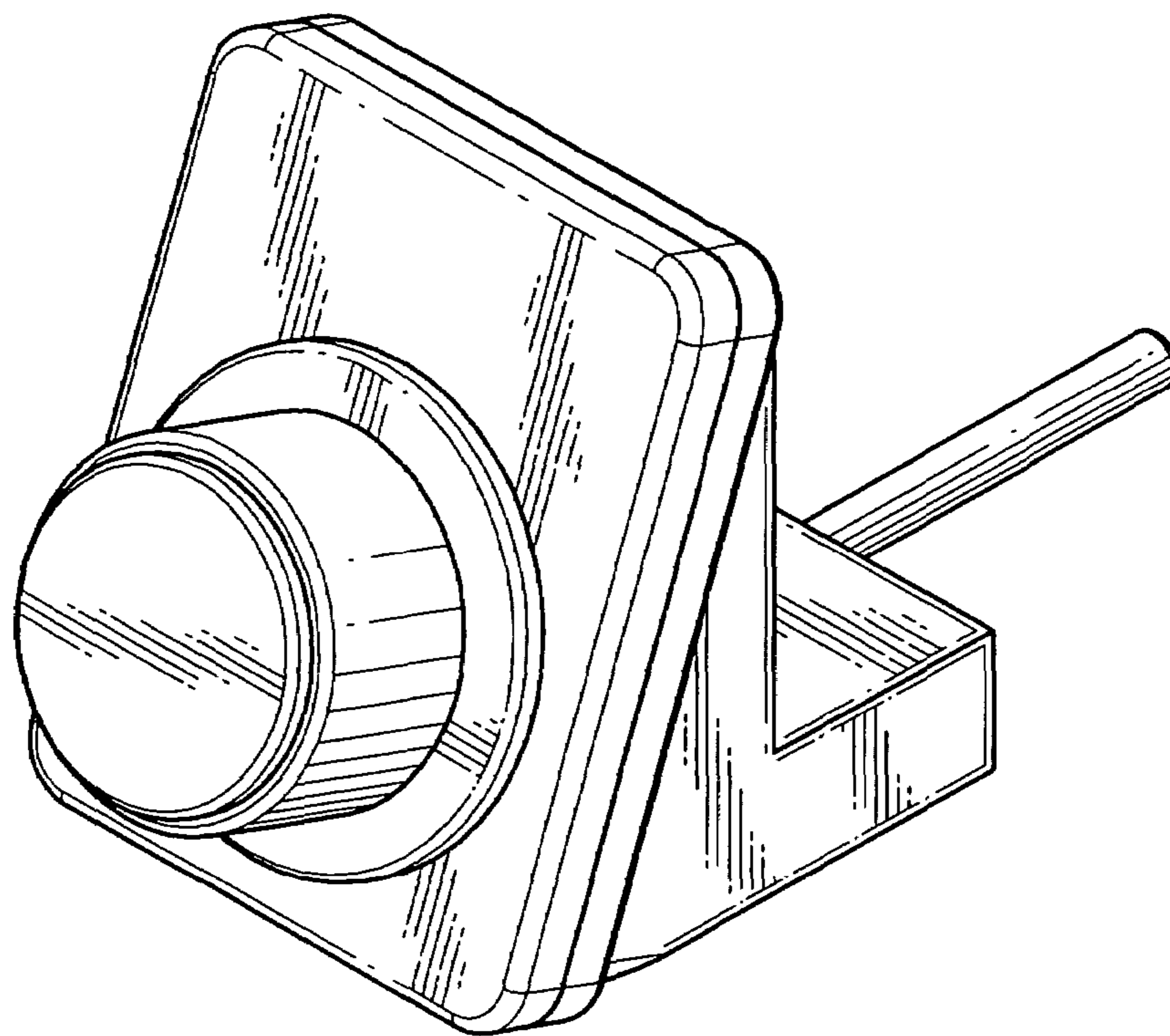


FIG. 1

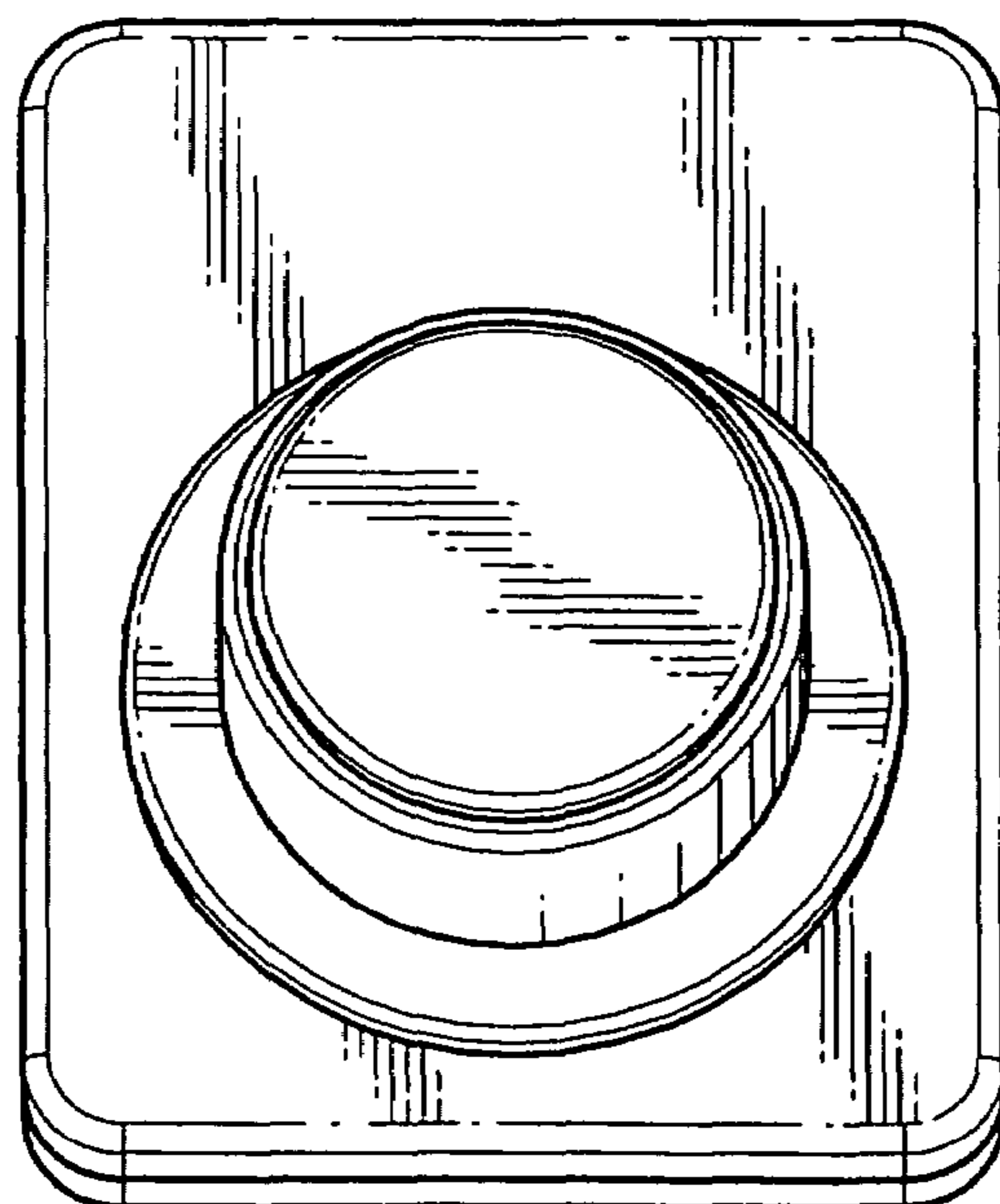


FIG. 2

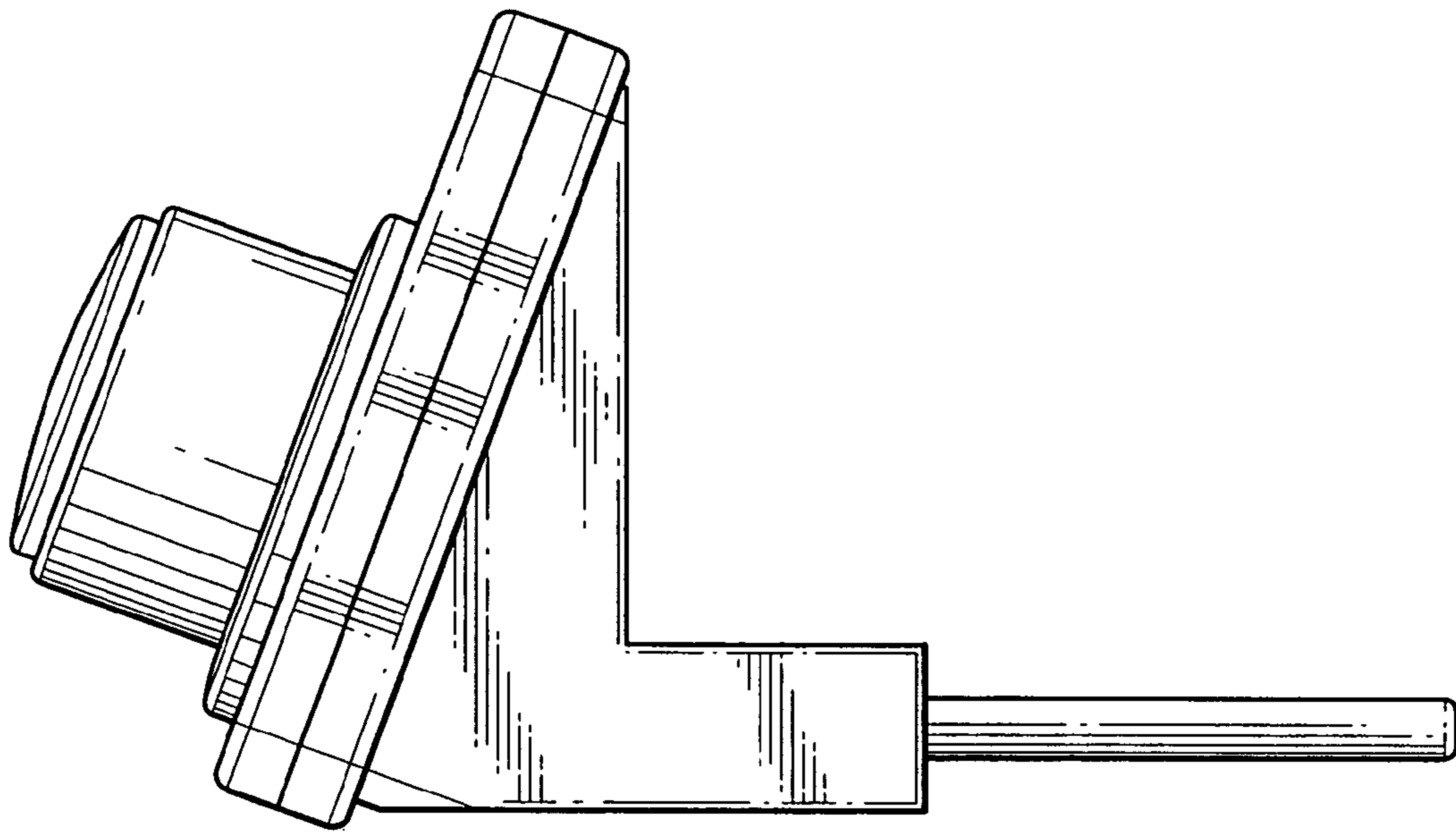


FIG. 3

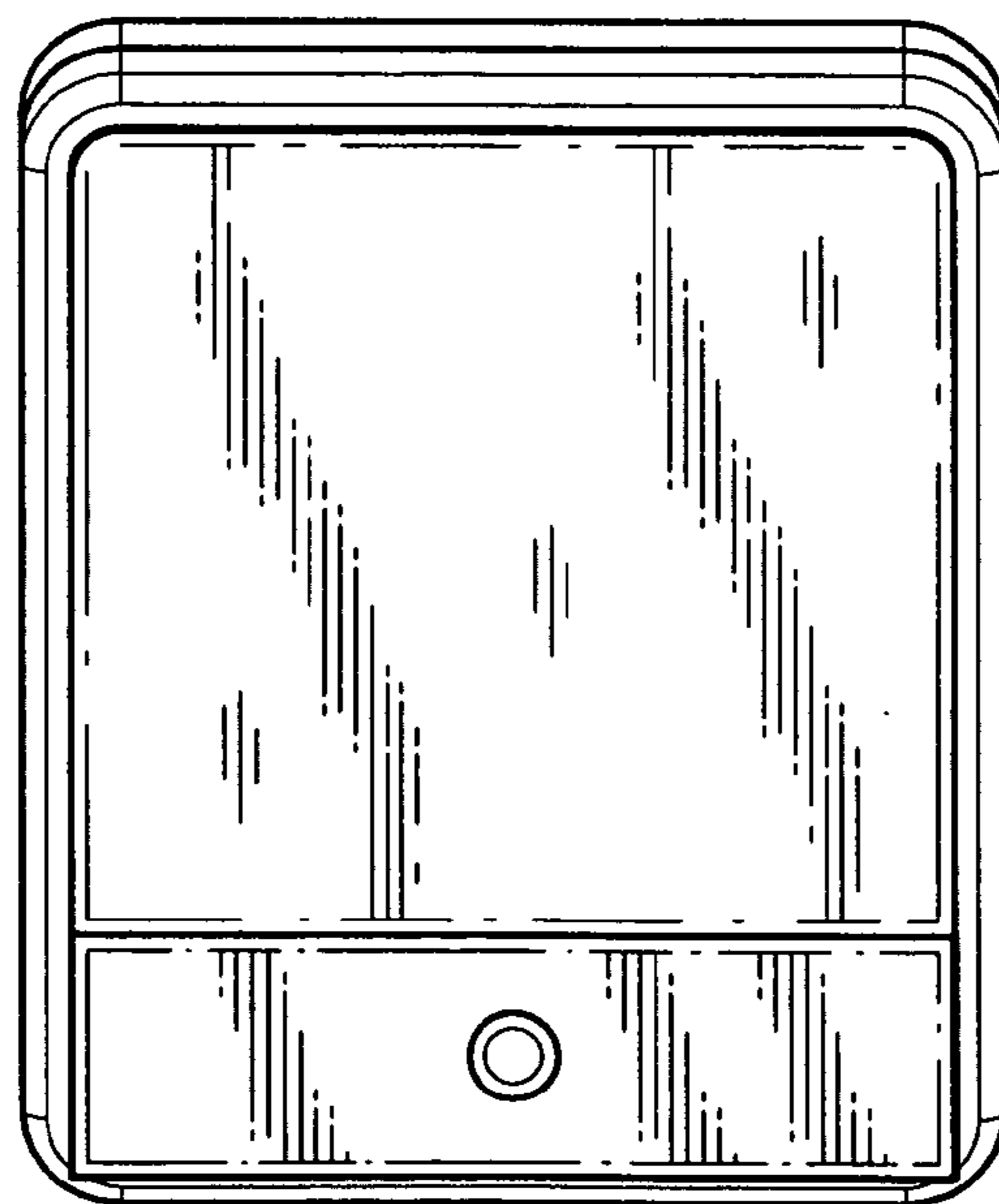


FIG. 4

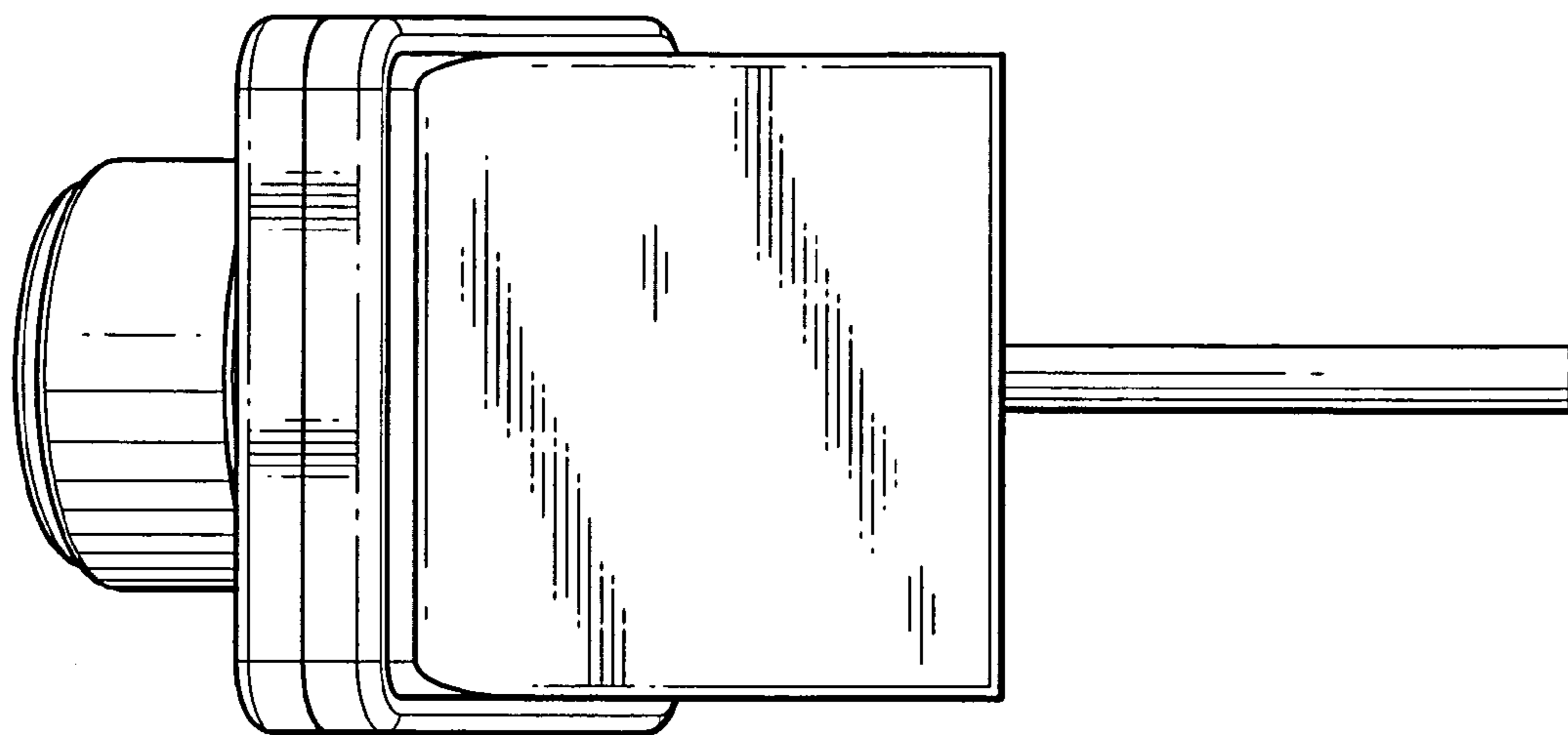


FIG. 5

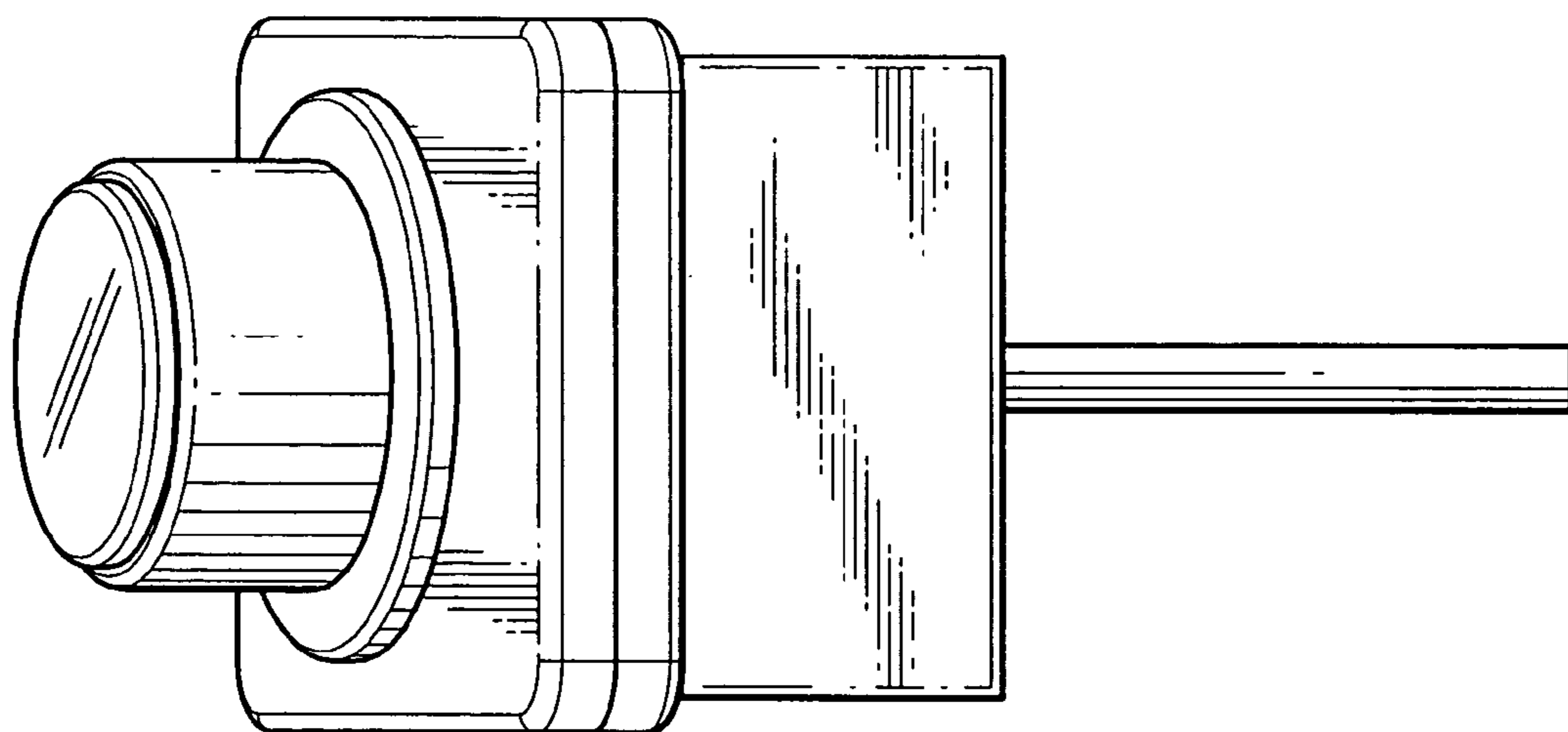


FIG. 6