



US00D559132S

(12) **United States Design Patent**
Krause

(10) **Patent No.:** **US D559,132 S**

(45) **Date of Patent:** **** Jan. 8, 2008**

(54) **JUMBO THERMOMETER**

(74) *Attorney, Agent, or Firm*—Marquerite Del Valle

(76) **Inventor:** **Damian Krause**, 132 Nassau St., New York, NY (US) 10038

(57) **CLAIM**

(**) **Term:** **14 Years**

I claim the ornamental design for a jumbo thermometer, as shown and described.

(21) **Appl. No.:** **29/275,249**

(22) **Filed:** **Dec. 19, 2006**

DESCRIPTION

(51) **LOC (8) Cl.** **10-04**

FIG. 1 is a front top perspective view of the new ornamental jumbo thermometer of the present invention;

(52) **U.S. Cl.** **D10/58**

FIG. 2 is a front elevational view thereof;

(58) **Field of Classification Search** D10/58;
374/190–194, 208–209

FIG. 3 is a rear view thereof;

See application file for complete search history.

FIG. 4 is a right side view thereof;

(56) **References Cited**

FIG. 5 is a left side view thereof;

U.S. PATENT DOCUMENTS

FIG. 6 is a top view thereof; and,

5,074,516 A * 12/1991 Lewis et al. 374/194

FIG. 7 is a bottom view thereof.

D377,610 S * 1/1997 Liang D10/58

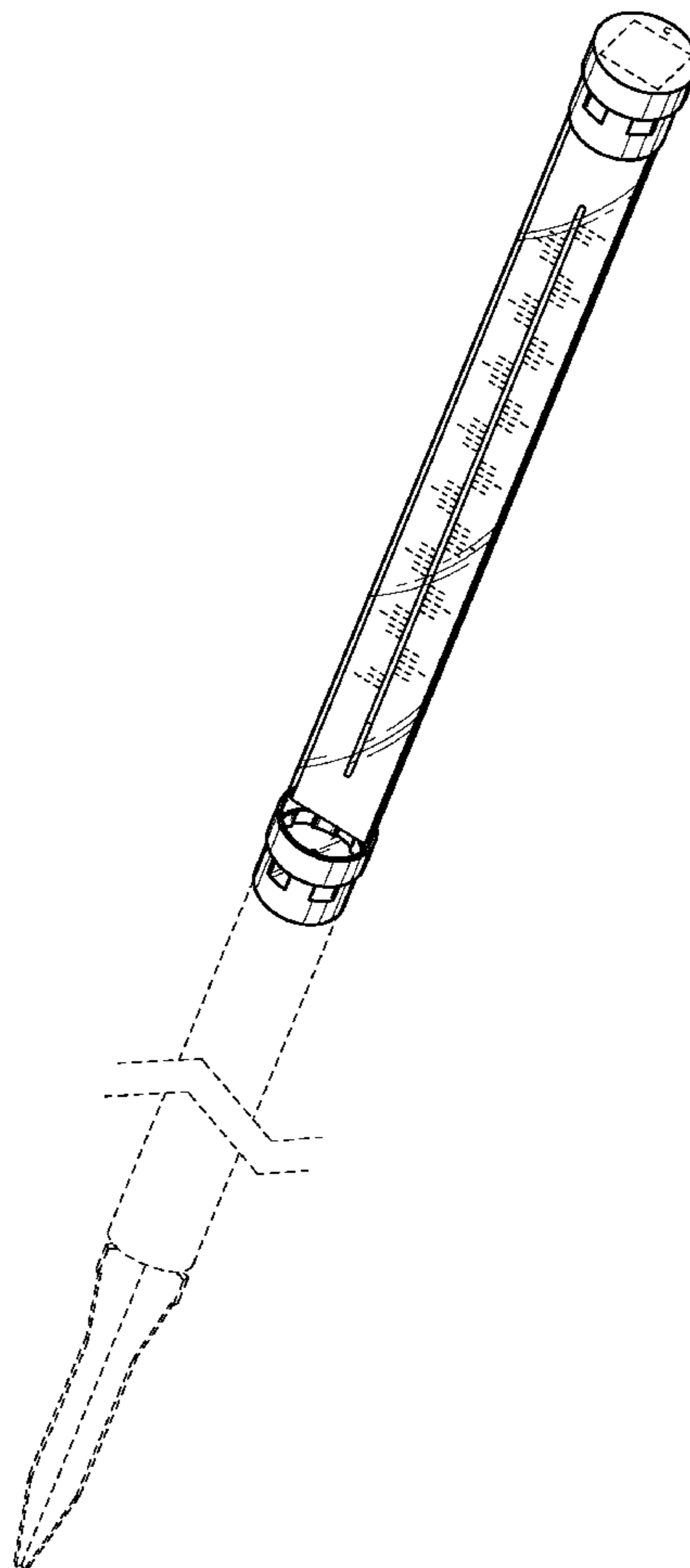
D411,958 S * 7/1999 Hui D10/58

The broken line showing of portions of the jumbo thermometer is included for the purpose of illustrating non-claimed subject matter and forms no part of the claimed design.

* cited by examiner

Primary Examiner—Antoine D. Davis

1 Claim, 4 Drawing Sheets



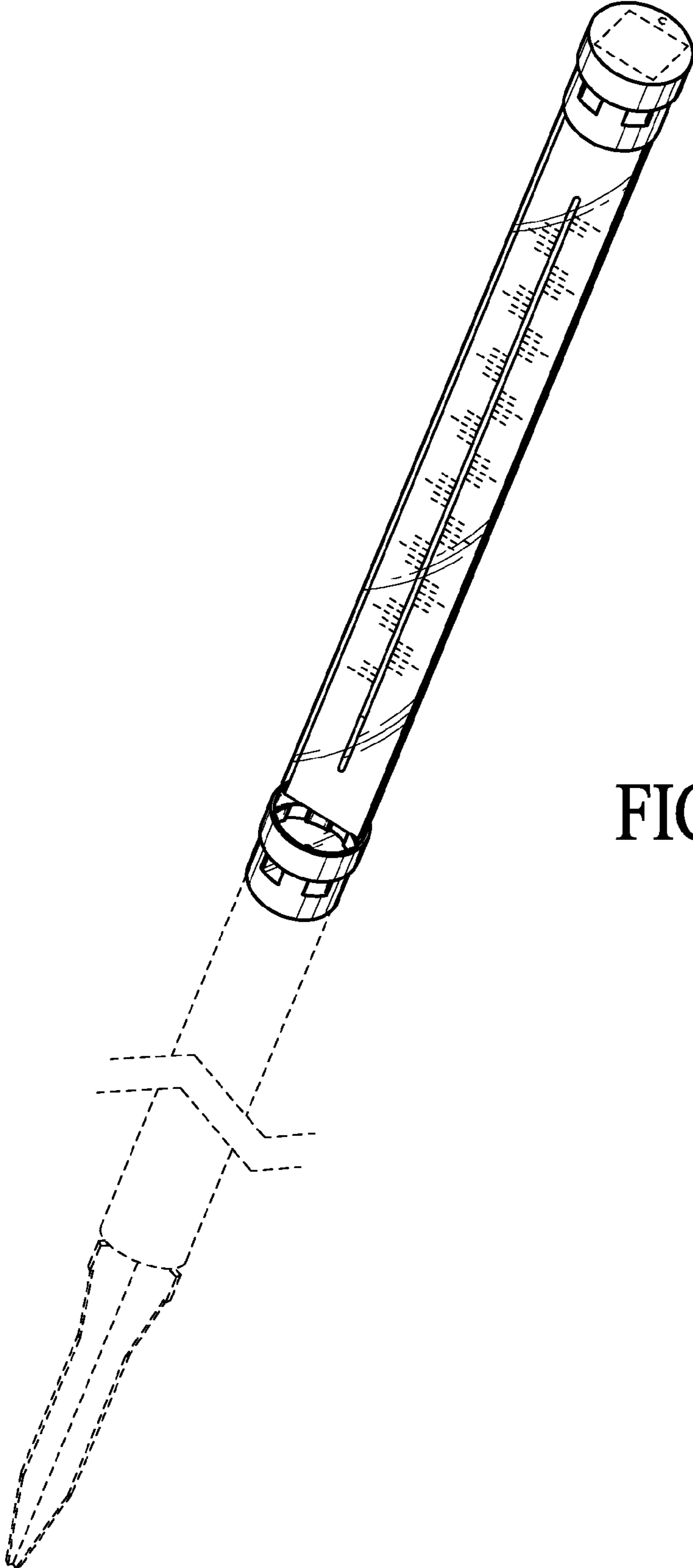


FIG.1

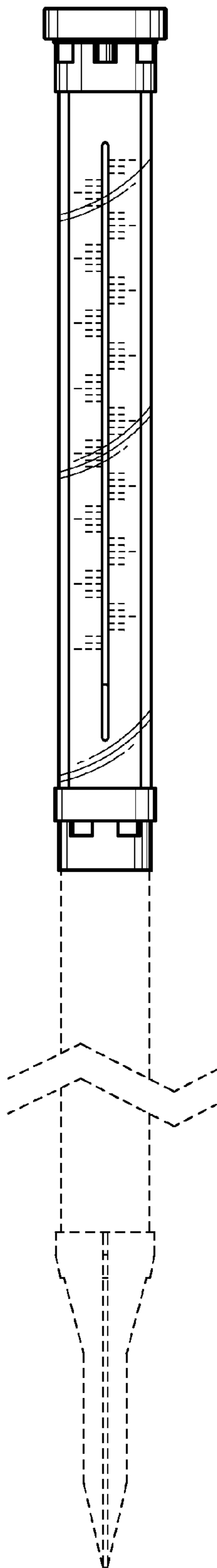


FIG. 2

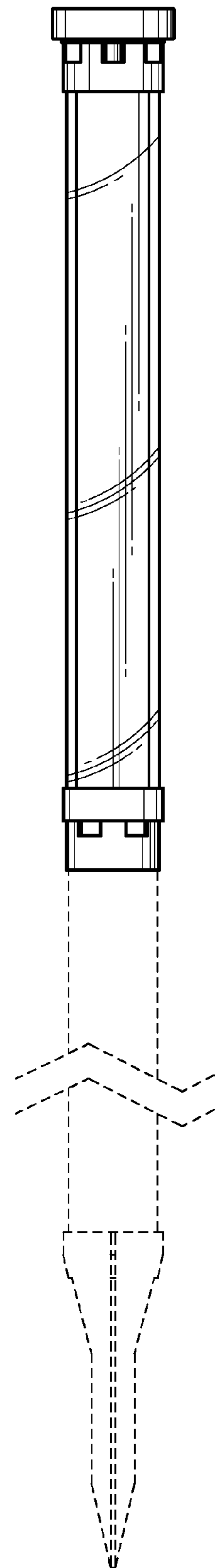


FIG. 3

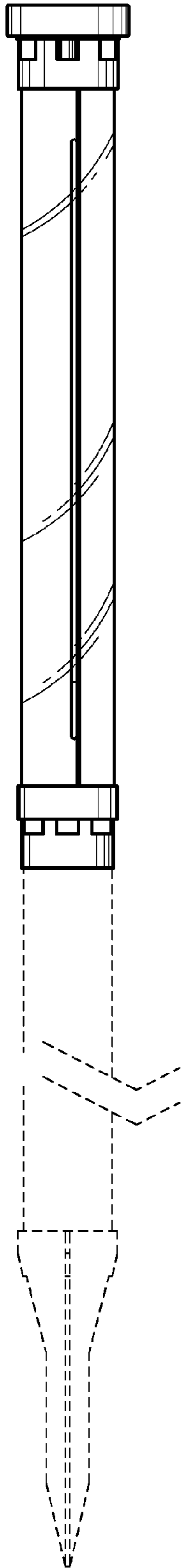


FIG.4

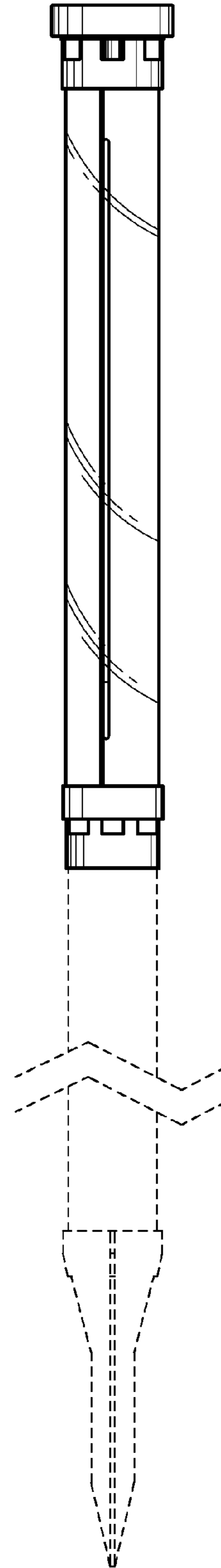


FIG.5

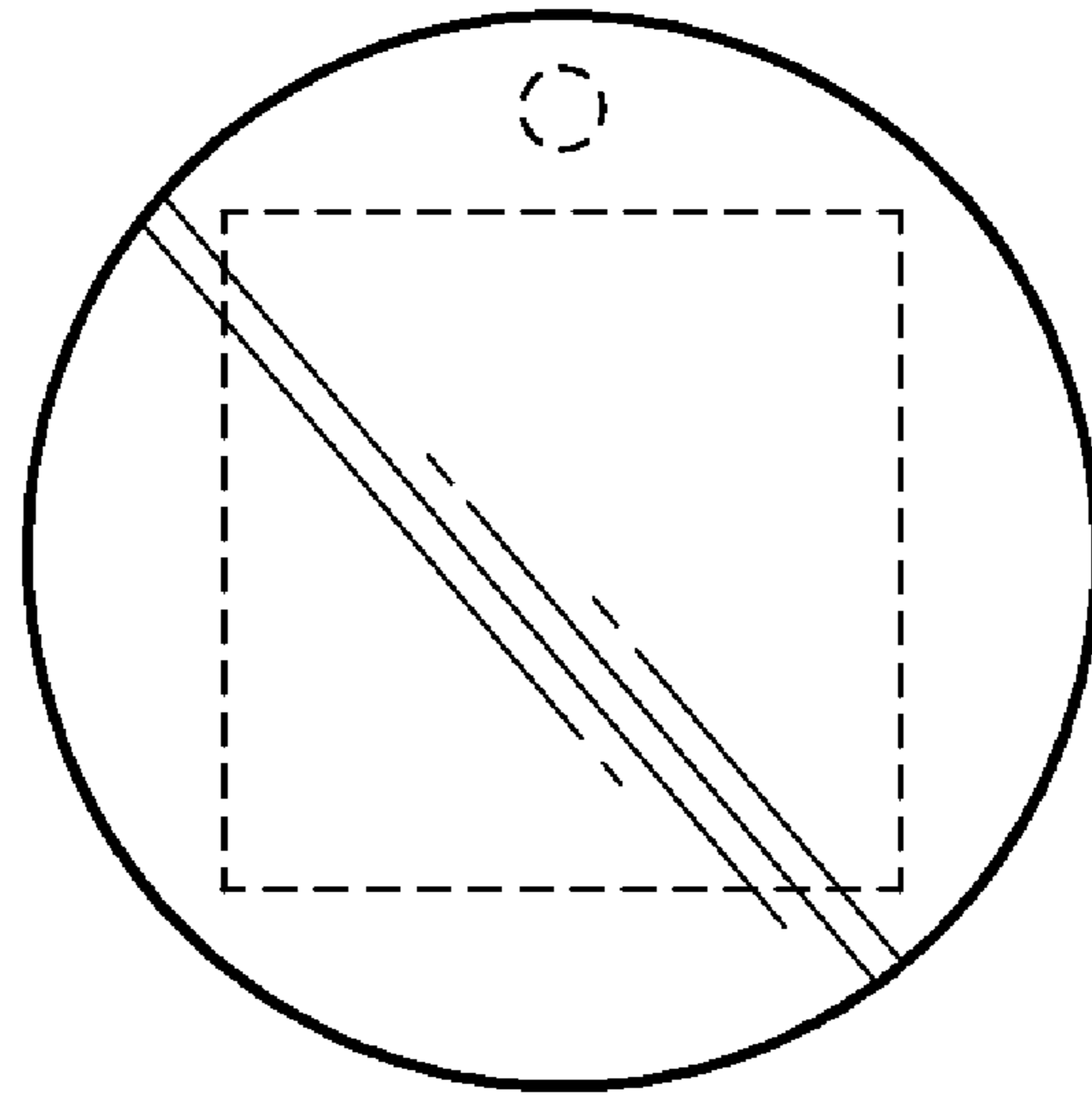


FIG. 6

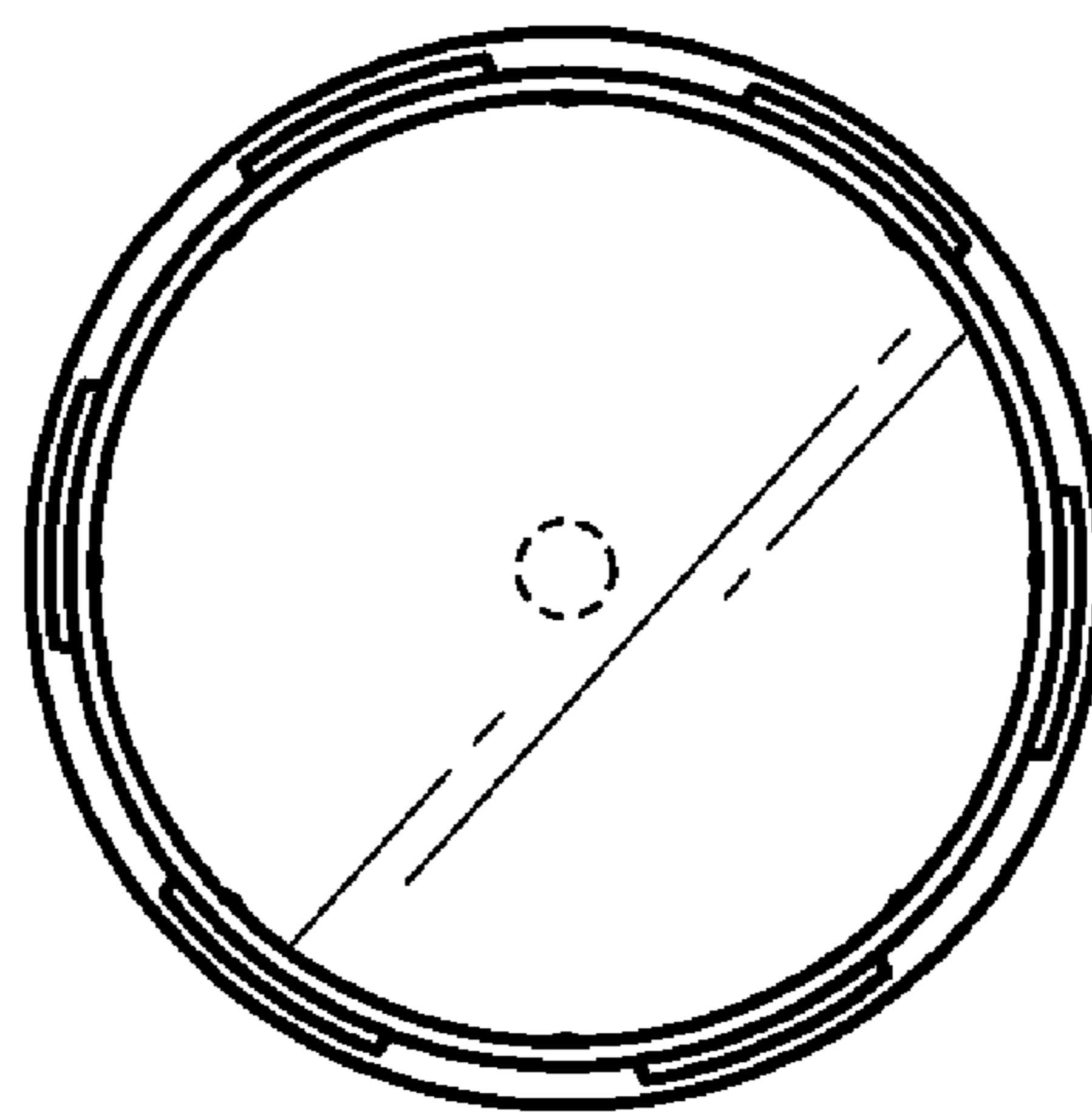


FIG. 7