



US00D559127S

(12) **United States Design Patent**
Bolt et al.

(10) **Patent No.:** **US D559,127 S**
(45) **Date of Patent:** **** Jan. 8, 2008**

(54) **WATCH**

(75) Inventors: **Tom Bolt**, London (GB); **Philippe Guy Cogoli**, Kingston Upon Thames (GB)

(73) Assignee: **Alfred Dunhill Limited**, London (GB)

(**) Term: **14 Years**

(21) Appl. No.: **29/245,819**

(22) Filed: **Dec. 30, 2005**

Related U.S. Application Data

(62) Division of application No. 29/214,200, filed on Sep. 30, 2004, now Pat. No. Des. 522,886.

(30) **Foreign Application Priority Data**

Apr. 15, 2004 (EP) 170683

(51) **LOC (8) Cl.** **10-02**

(52) **U.S. Cl.** **D10/39**

(58) **Field of Classification Search** D10/30,
D10/31, 32, 38, 39, 123-126; 368/276, 277,
368/281, 282, 285, 21, 28, 80, 228, 232
See application file for complete search history.

(56) **References Cited**

U.S. PATENT DOCUMENTS

1,968,444 A * 7/1934 Farber 40/117
2,532,161 A * 11/1950 Gomberg 224/179
3,427,800 A * 2/1969 Blum 368/223
D234,943 S * 4/1975 Marquand D10/39

D279,552 S * 7/1985 Maglioli D10/39
D311,143 S * 10/1990 Lipp D10/31
D400,110 S * 10/1998 Polenberg D10/39
D403,248 S * 12/1998 Magninat D10/30
D413,818 S * 9/1999 Baumann D10/32
D423,374 S * 4/2000 Deleskiewicz D10/32
D440,886 S * 4/2001 Burgener D10/32
D441,665 S * 5/2001 Giardiello D10/32
D462,281 S * 9/2002 Wunderman D10/39
D471,822 S * 3/2003 Goeckeritz D10/32
D478,515 S * 8/2003 Sugiura et al. D10/32
D484,814 S * 1/2004 Sugiura D10/32
D498,683 S * 11/2004 Arabov D10/39
D524,173 S * 7/2006 Mouquet D10/32
D526,215 S * 8/2006 Calvani D10/38
D526,912 S * 8/2006 Calvani D10/38

* cited by examiner

Primary Examiner—Lucy Lieberman

(74) *Attorney, Agent, or Firm*—Hoffman, Wasson & Gitler, P.C.

(57) **CLAIM**

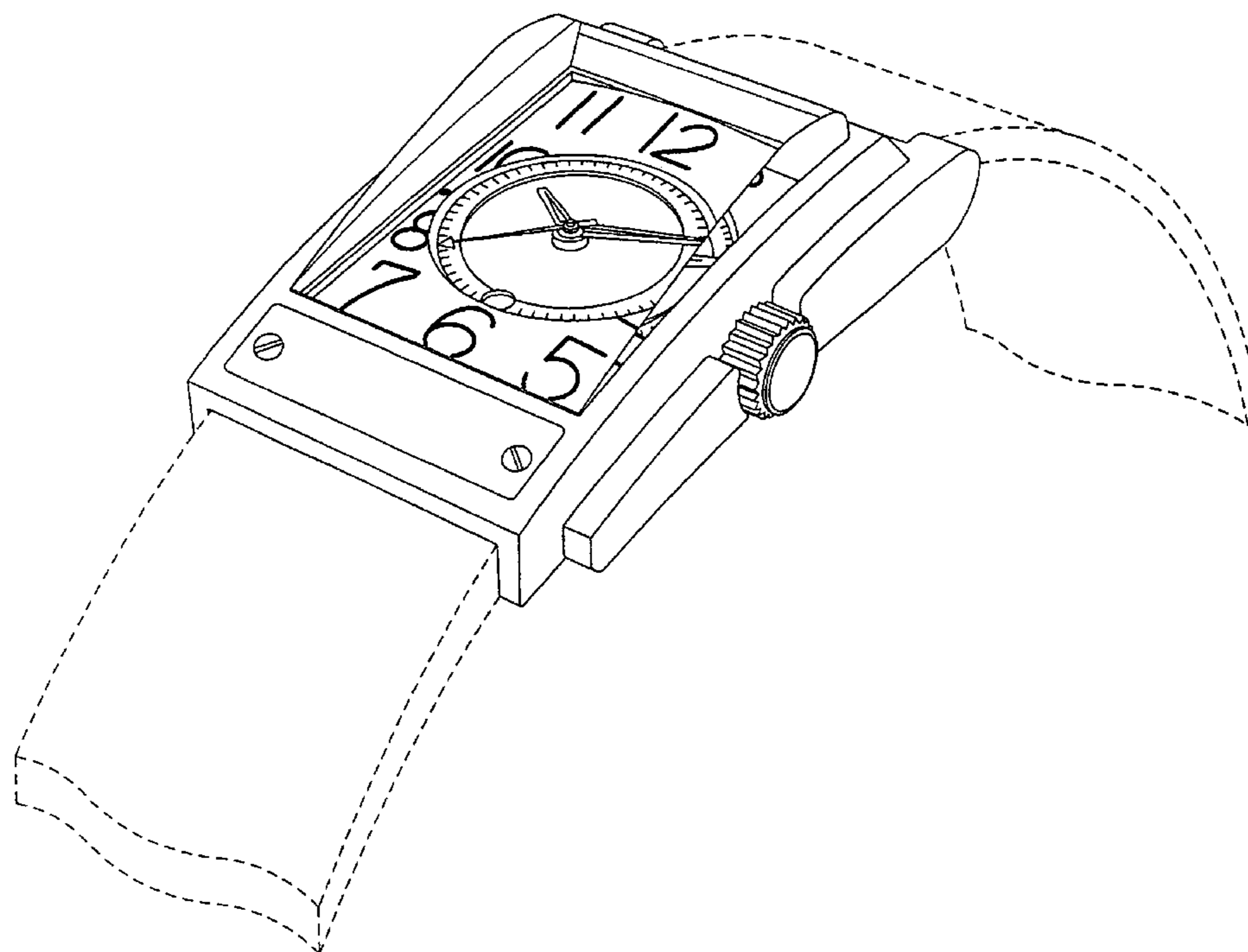
The ornamental design for a watch, as shown and described.

DESCRIPTION

FIG. 1 is a perspective view of a watch showing our new design.

The broken lines showing a portion of a watchband are for illustrative purposes only and do not form part of the claimed design.

1 Claim, 1 Drawing Sheet



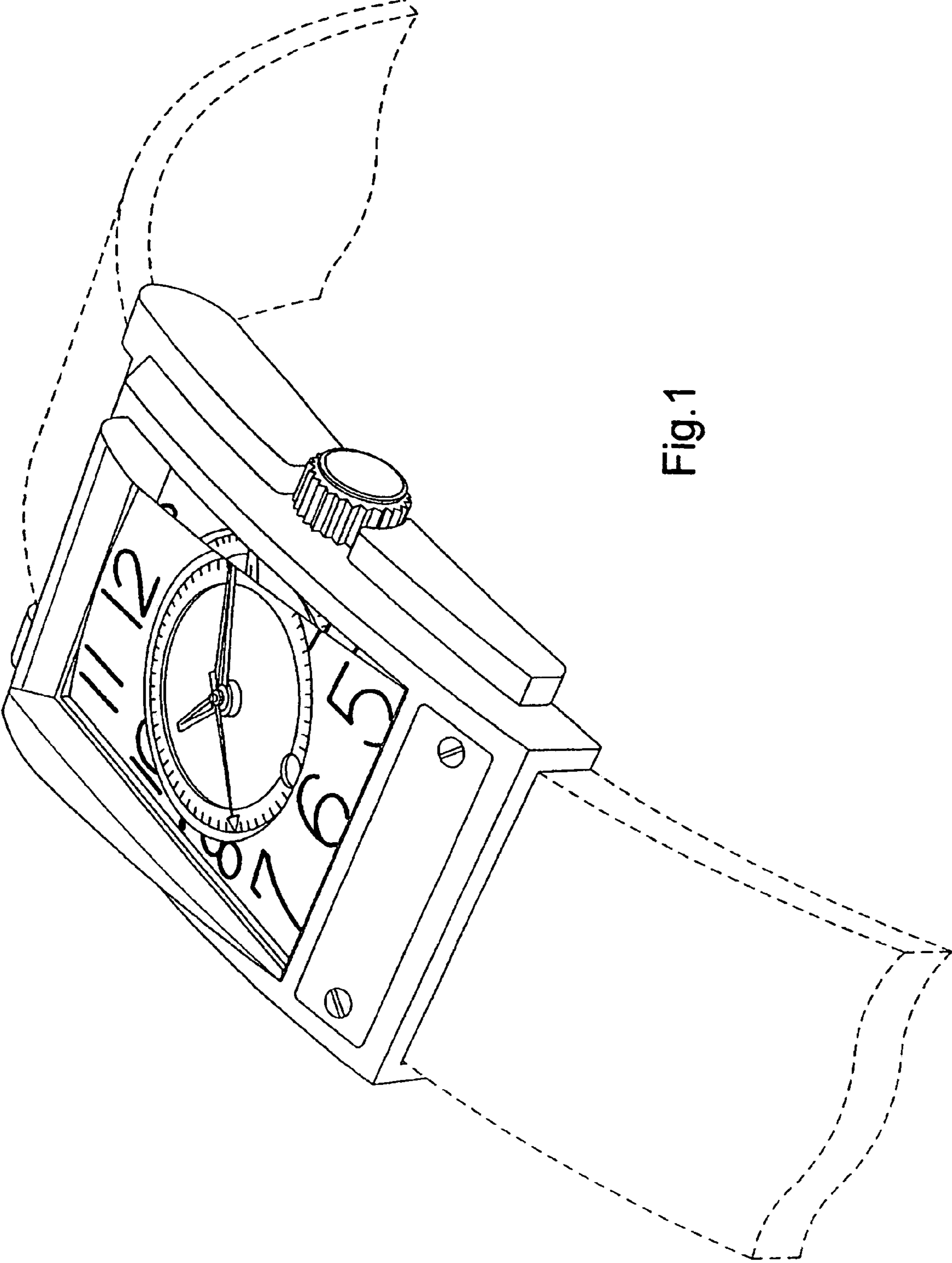


Fig.1