



US00D559125S

(12) **United States Design Patent**
Figueiredo

(10) **Patent No.:** **US D559,125 S**

(45) **Date of Patent:** **** Jan. 8, 2008**

(54) **WATCH CASE**

(75) **Inventor:** **Alexandra Figueiredo**, Grenchen (CH)

(73) **Assignee:** **Swatch AG (Swatch SA) (Swatch Ltd.)**, Bienne (CH)

(**) **Term:** **14 Years**

(21) **Appl. No.:** **29/243,810**

(22) **Filed:** **Nov. 30, 2005**

(30) **Foreign Application Priority Data**

Jul. 1, 2005 (WO) DM/066 810

(51) **LOC (8) Cl.** **10-02**

(52) **U.S. Cl.** **D10/38**

(58) **Field of Classification Search** D10/30-39,
D10/131; 368/276, 281, 282, 285, 80, 223,
368/228, 232, 308, 288, 319, 21, 28

See application file for complete search history.

(56) **References Cited**

U.S. PATENT DOCUMENTS

- 5,272,683 A * 12/1993 Jackl 368/282
- 5,297,121 A * 3/1994 Sepehri 368/228
- 5,455,808 A * 10/1995 Grupp et al. 368/82
- 5,473,580 A * 12/1995 Gilomen et al. 368/28
- 5,668,781 A * 9/1997 Jeannet et al. 368/28
- 5,696,741 A * 12/1997 Nussbaum 368/281
- D413,530 S * 9/1999 Flury et al. D10/32
- D413,816 S * 9/1999 Schiavo et al. D10/30
- D448,679 S * 10/2001 Muller D10/30
- 6,356,512 B1 * 3/2002 Martin et al. 368/10
- 6,540,396 B1 * 4/2003 Barras 368/281
- D476,905 S * 7/2003 El Kadiri D10/30
- D476,906 S * 7/2003 Nussbaum D10/30
- D477,234 S * 7/2003 El Kadiri D10/30
- D477,235 S * 7/2003 El Kadiri D10/30

- 6,605,791 B2 * 8/2003 Grupp 200/512
- 6,639,874 B2 * 10/2003 Shimizu et al. 368/73
- 6,672,758 B2 * 1/2004 Ehram et al. 368/190
- 6,714,485 B2 * 3/2004 Albisetti et al. 368/27
- 6,809,993 B1 * 10/2004 Muller et al. 368/242
- D502,409 S * 3/2005 Figueiredo D10/30
- 6,874,931 B2 * 4/2005 Noirjean et al. 368/282
- 6,896,403 B1 * 5/2005 Grau 368/190
- D537,740 S * 3/2007 Grosjean D10/38
- 2002/0064099 A1 * 5/2002 Wyssbrod et al. 368/113

FOREIGN PATENT DOCUMENTS

- EP 901052 A1 * 3/1999
- JP 11290174 A * 10/1999
- JP 2001135187 A * 5/2001
- JP 2002323575 A * 11/2002

* cited by examiner

Primary Examiner—Lucy Lieberman

(74) *Attorney, Agent, or Firm*—Collen IP; Donald J. Ranft

(57) **CLAIM**

The ornamental design for a watch case, as shown and described.

DESCRIPTION

FIG. 1 is a front view of my new and ornamental design for a watch case;

FIG. 2 is a rear view thereof;

FIG. 3 is a right side view thereof;

FIG. 4 is a left side view thereof;

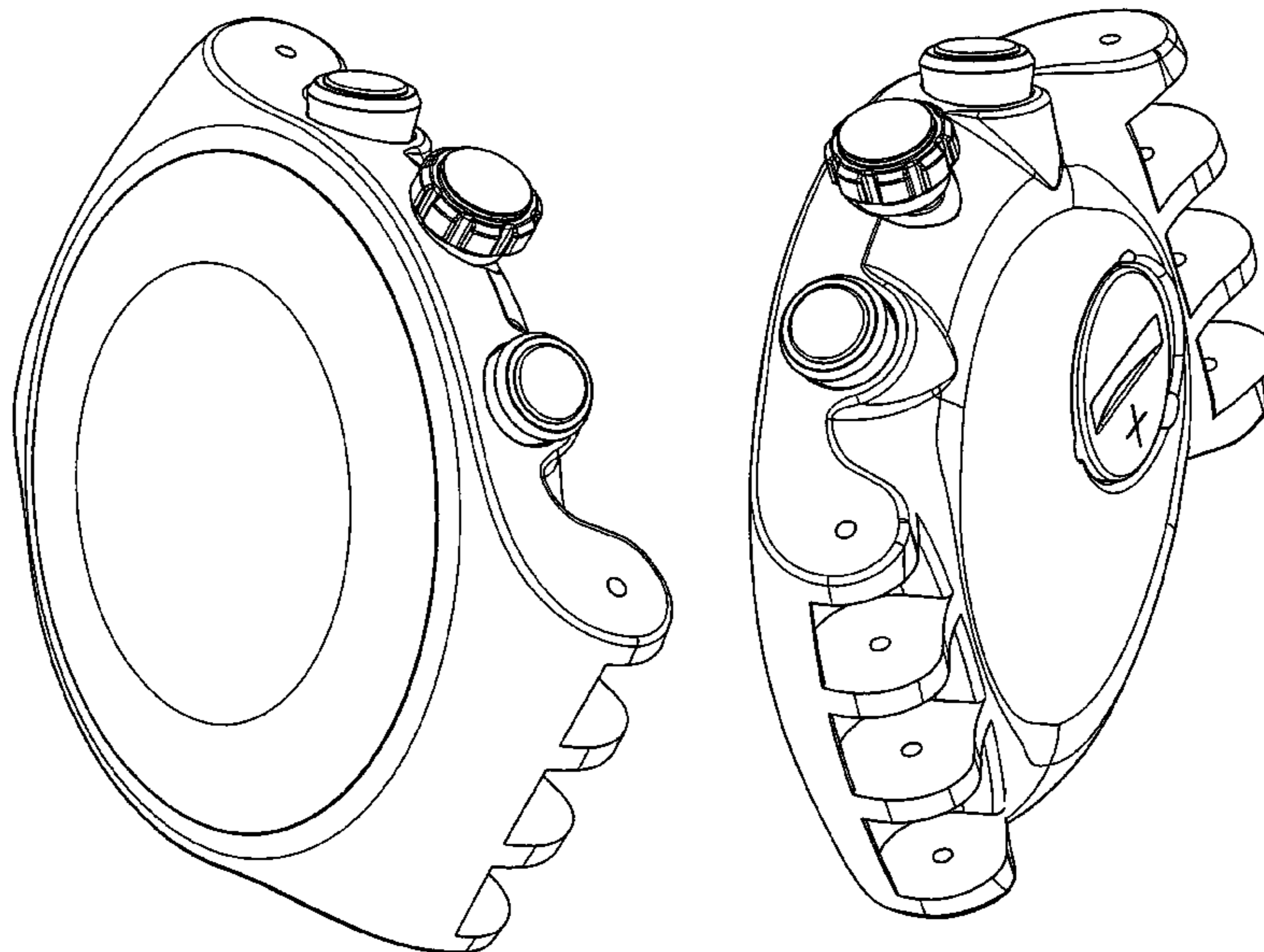
FIG. 5 is a top view thereof;

FIG. 6 is a bottom view thereof;

FIG. 7 is a front perspective view thereof; and,

FIG. 8 is a rear perspective view thereof.

1 Claim, 8 Drawing Sheets



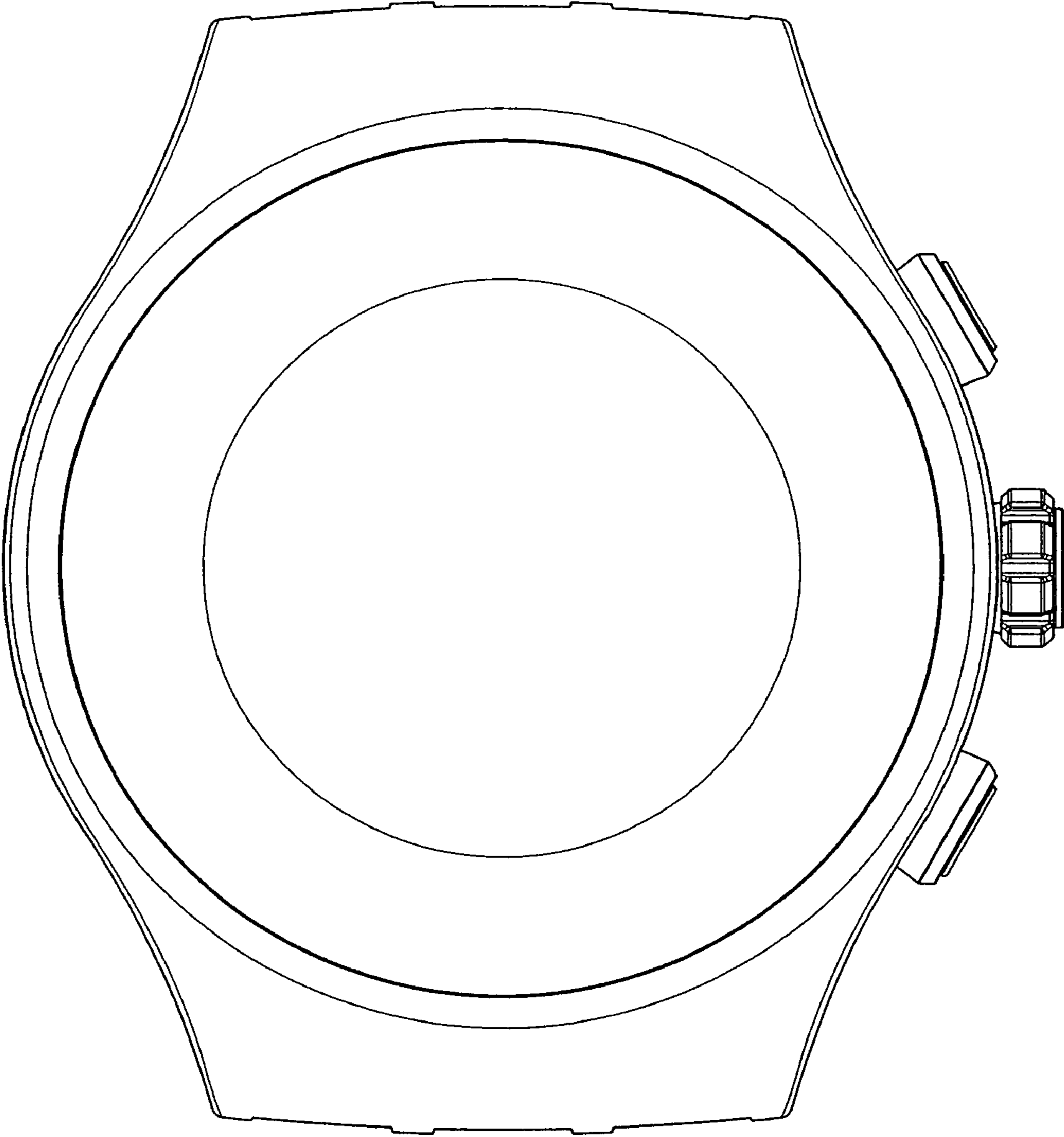


Figure 1

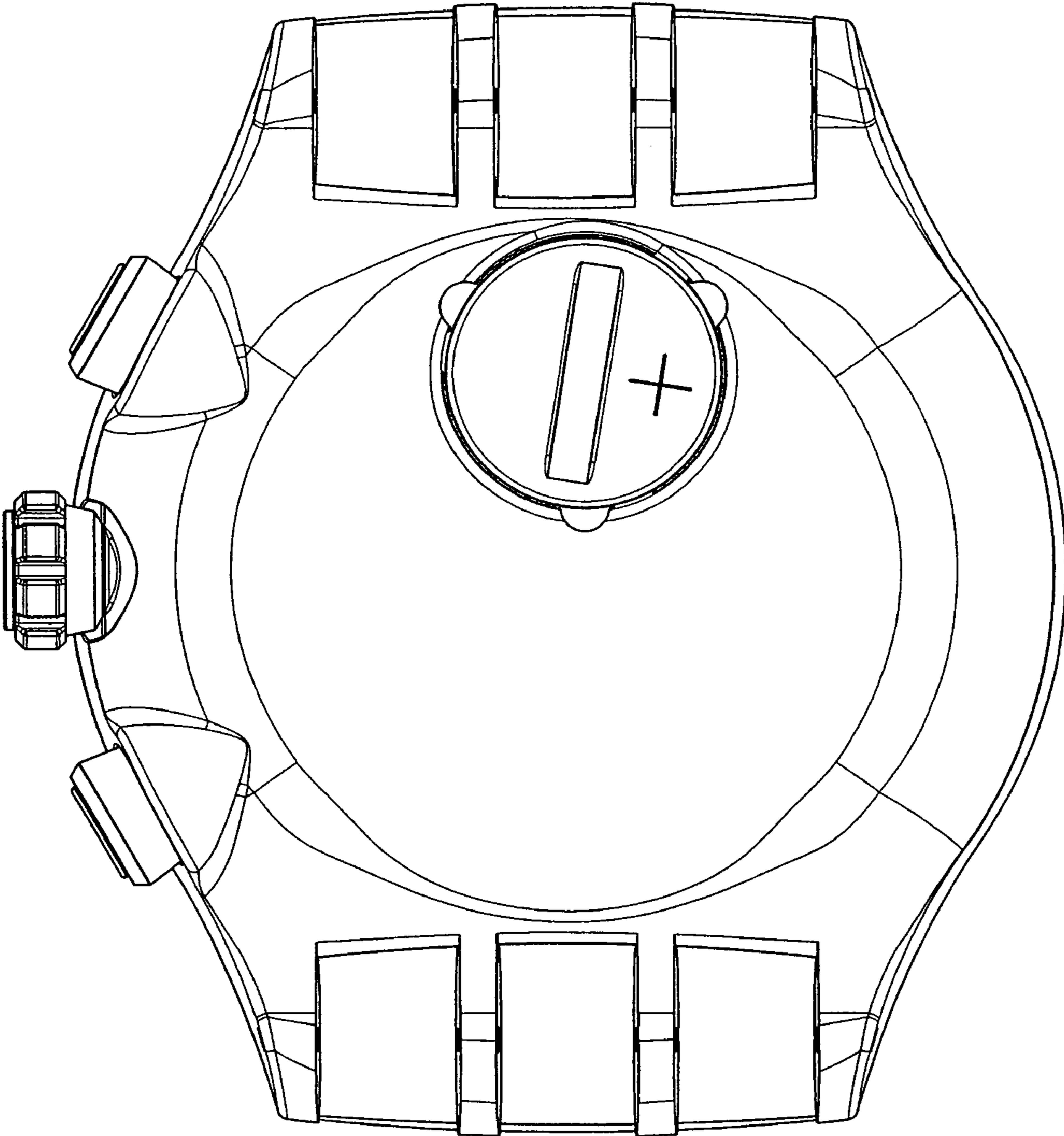


Figure 2

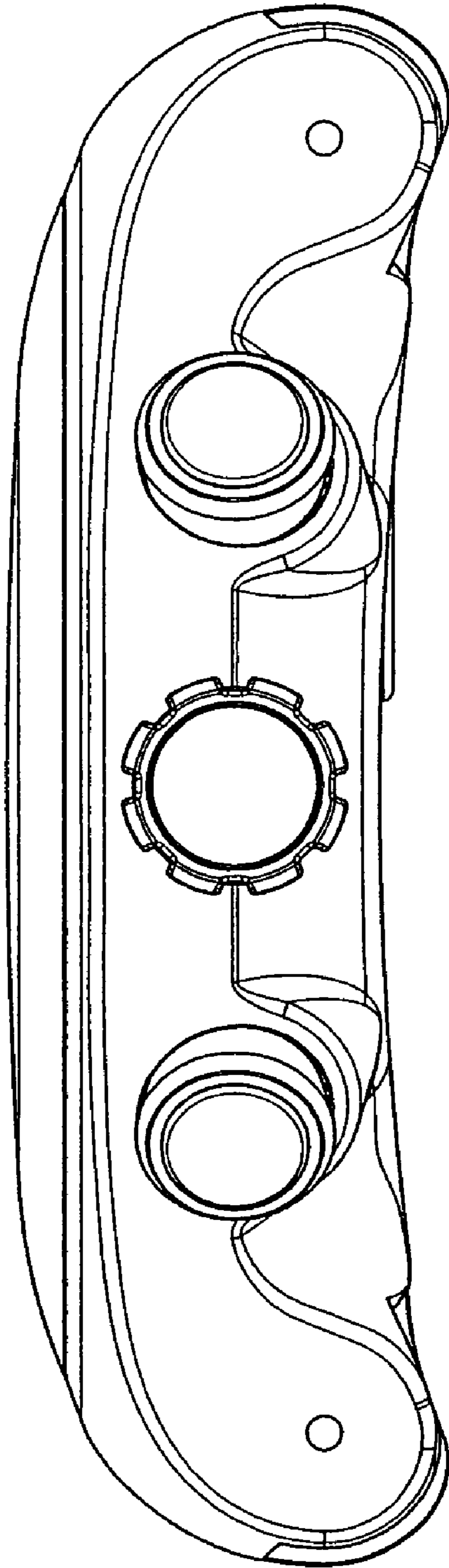


Figure 3

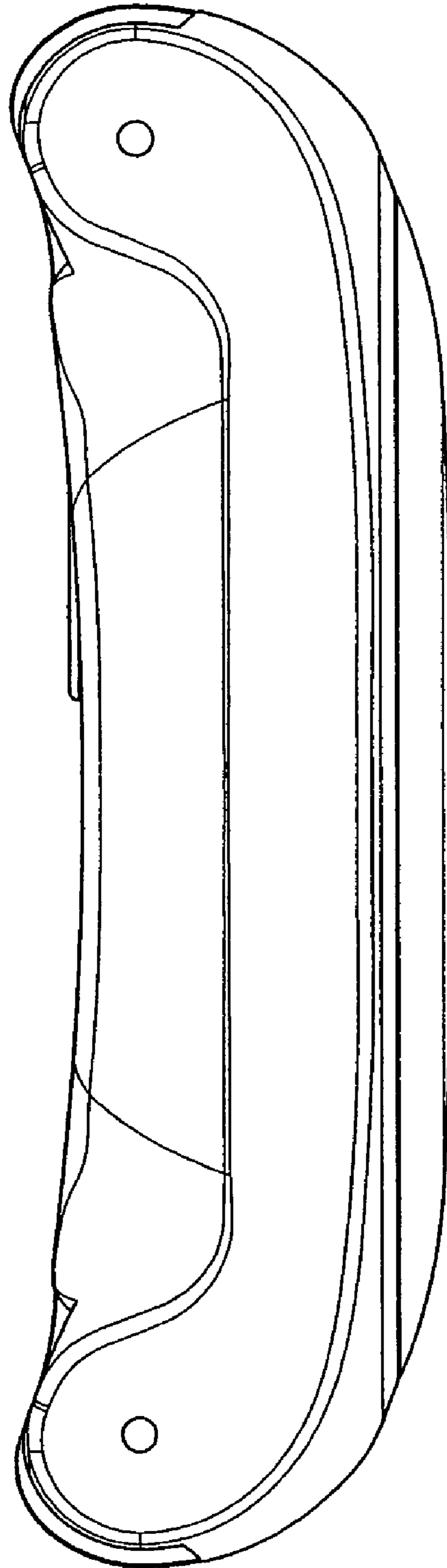


Figure 4

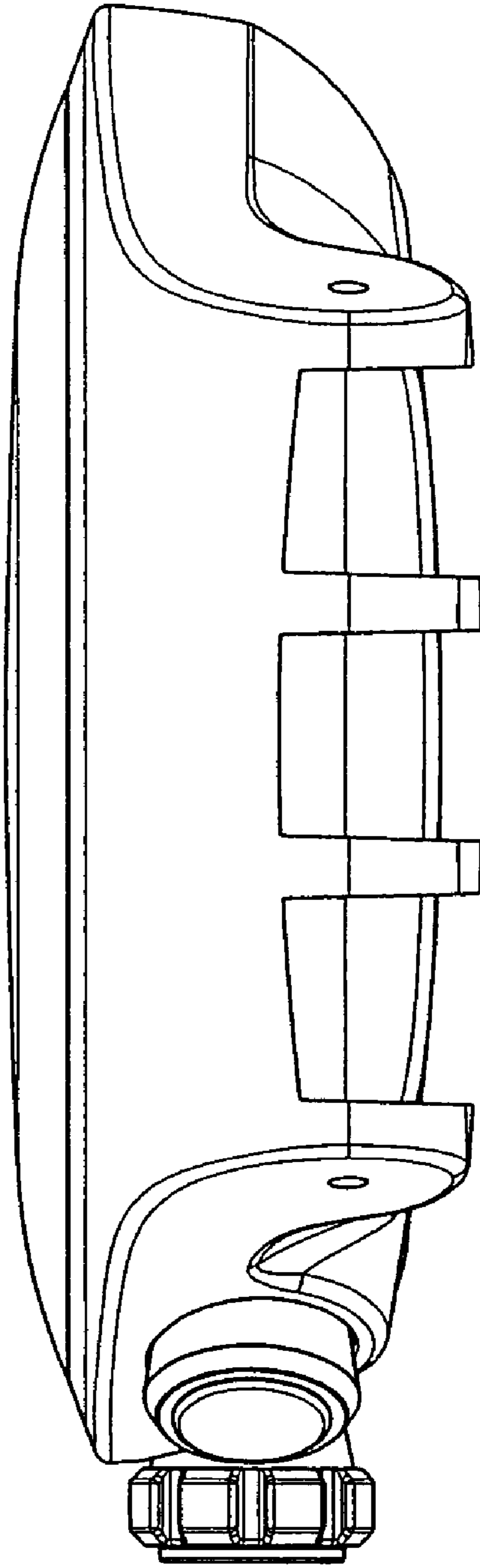


Figure 5

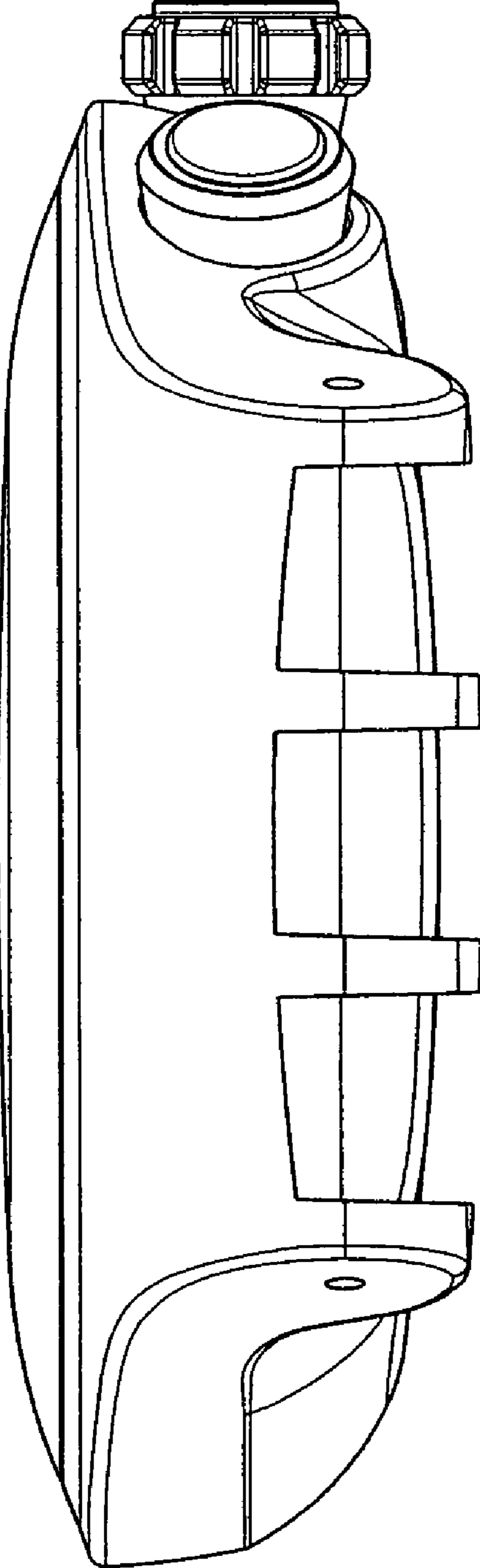


Figure 6

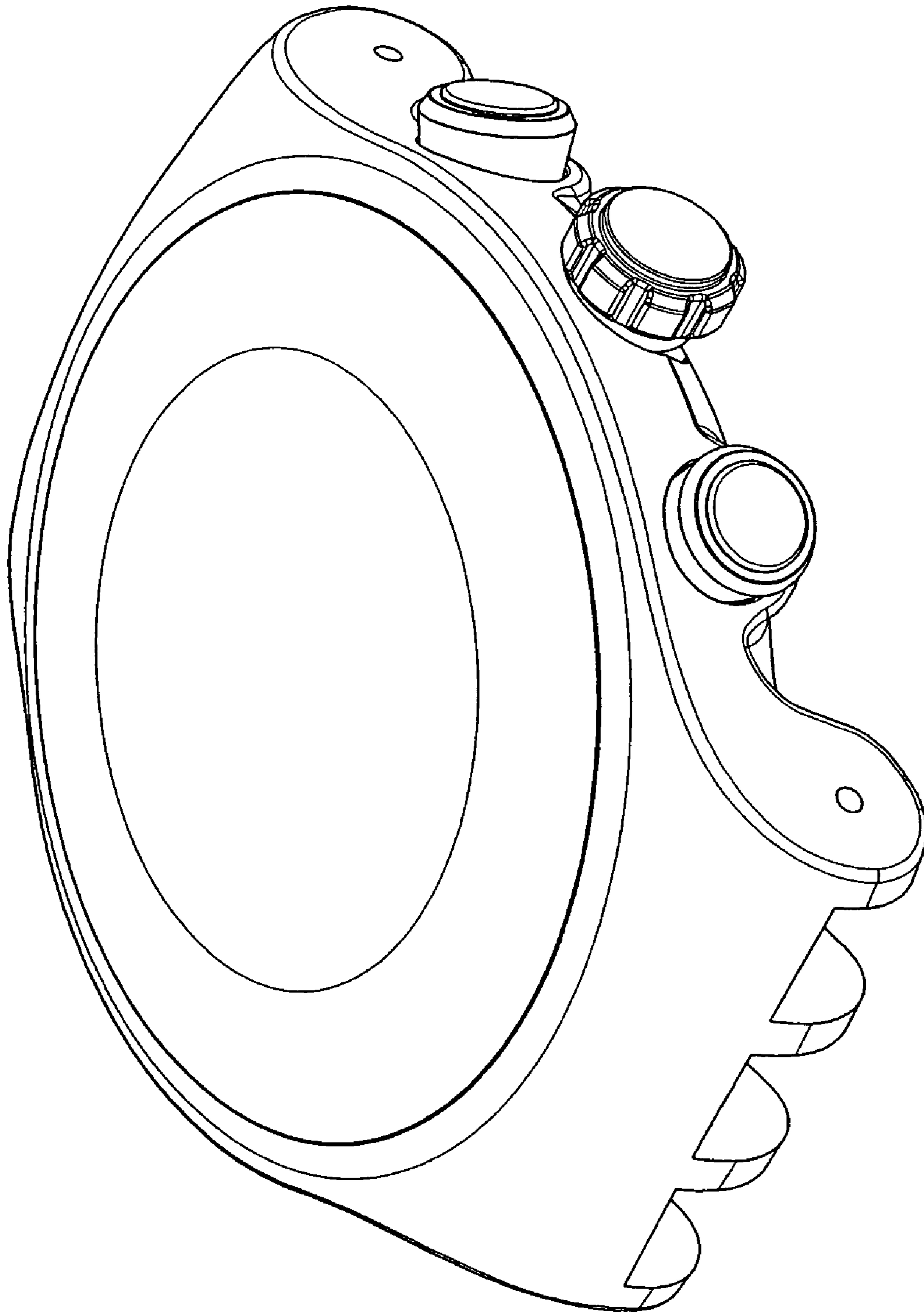


Figure 7

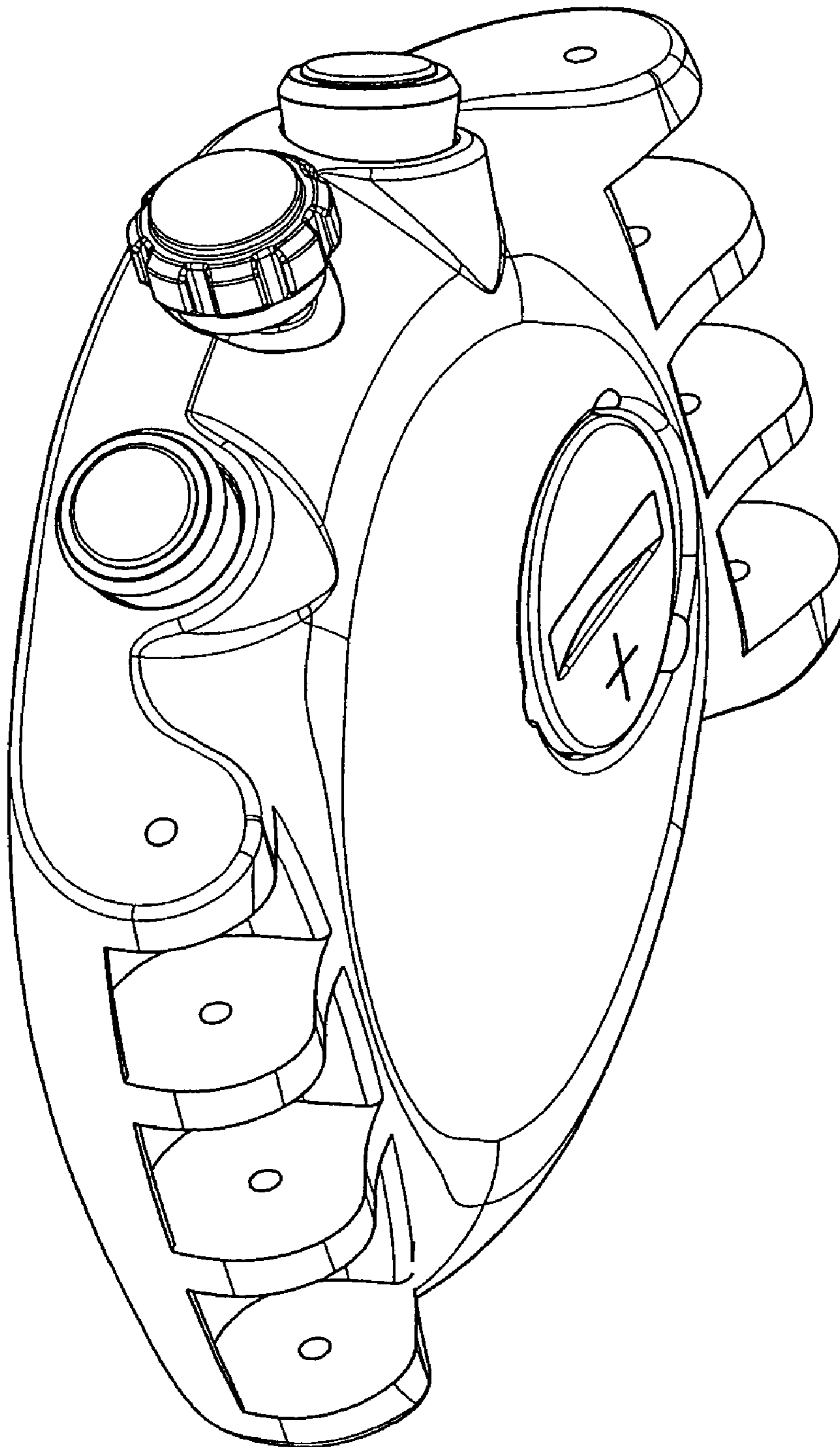


Figure 8