



US00D559122S

(12) **United States Design Patent**
Shafa

(10) **Patent No.:** **US D559,122 S**

(45) **Date of Patent:** **** Jan. 8, 2008**

(54) **WRISTWATCH**

(75) **Inventor:** **Daryoush Shafa**, Rueil Malmaison
(FR)

(73) **Assignee:** **Robert Wan Luxury Ltd**, Wanchai
(HK)

(**) **Term:** **14 Years**

(21) **Appl. No.:** **29/271,986**

(22) **Filed:** **Jan. 31, 2007**

(30) **Foreign Application Priority Data**

Jul. 31, 2006 (EM) 000568522-0001

(51) **LOC (8) Cl.** **10-02**

(52) **U.S. Cl.** **D10/32**

(58) **Field of Classification Search** D10/30,
D10/31, 32, 38, 39, 123-126, 128; 368/276,
368/277, 281, 282, 285, 21, 28, 80, 228,
368/232, 294, 295; 63/3, 4, 3.1; D11/6,
D11/12, 16

See application file for complete search history.

(56) **References Cited**

U.S. PATENT DOCUMENTS

D331,022 S *	11/1992	Burgener	D10/39
D340,414 S *	10/1993	DeGraeve	D10/39
D340,871 S *	11/1993	Iwamura	D10/32
D398,542 S *	9/1998	Wunderman	D10/32
D404,678 S *	1/1999	de Baschmakoff	D11/12
D415,969 S *	11/1999	Clerc	D10/32

D417,626 S *	12/1999	Clerc	D10/32
D431,475 S *	10/2000	Rabassa	D10/32
D432,439 S *	10/2000	Lassigne	D10/32
D444,076 S *	6/2001	Repossi	D10/32
D465,163 S *	11/2002	Bodino	D10/32
D472,161 S *	3/2003	Lassigne	D10/32
D539,170 S *	3/2007	Bodino	D10/32
D544,374 S *	6/2007	Chodat	D10/32

* cited by examiner

Primary Examiner—Lucy Lieberman
(74) *Attorney, Agent, or Firm*—Young & Thompson

(57) **CLAIM**

The ornamental design for a wristwatch, as shown.

DESCRIPTION

FIG. 1 is a perspective view of a wristwatch showing my new design;

FIG. 2 is a top plan view thereof;

FIG. 3 is a bottom plan view thereof;

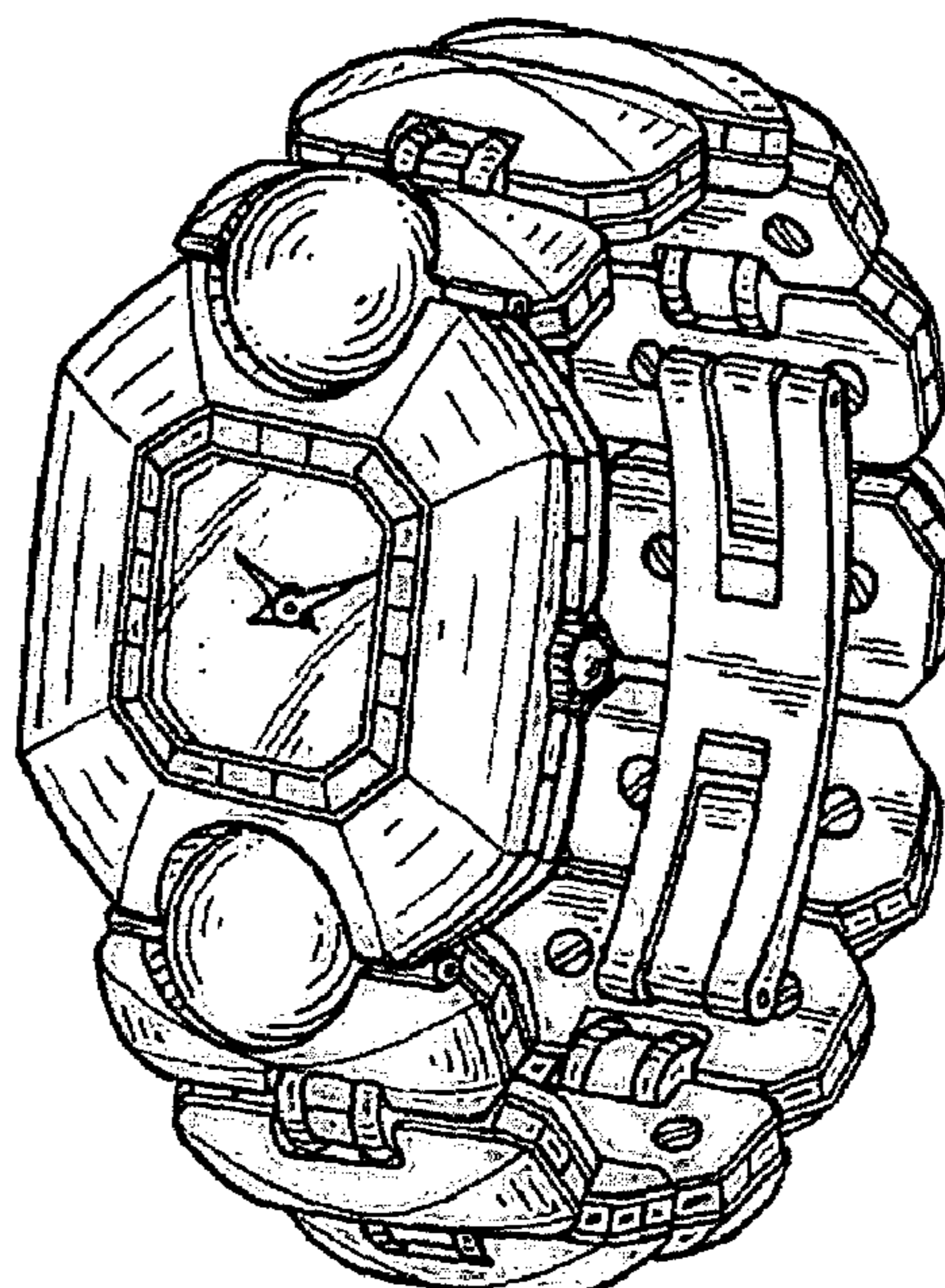
FIG. 4 is a side elevational view thereof from the bottom of FIG. 2;

FIG. 5 is a side elevational view thereof from the side opposite that shown in FIG. 4;

FIG. 6 is a side elevational view thereof from the left of FIG. 4; and,

FIG. 7 is a side elevational view thereof from the right of FIG. 4.

1 Claim, 4 Drawing Sheets



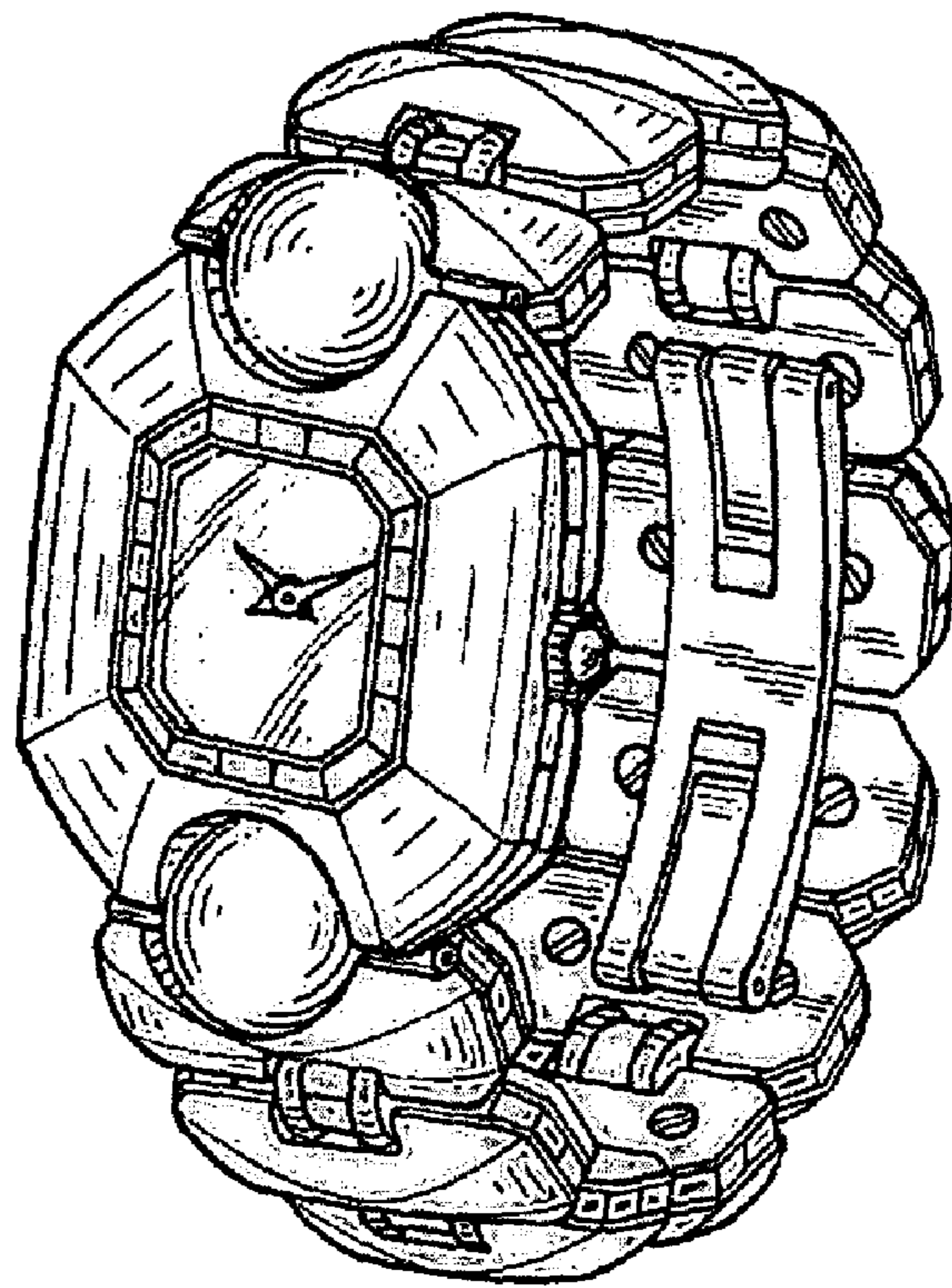


FIG. 1

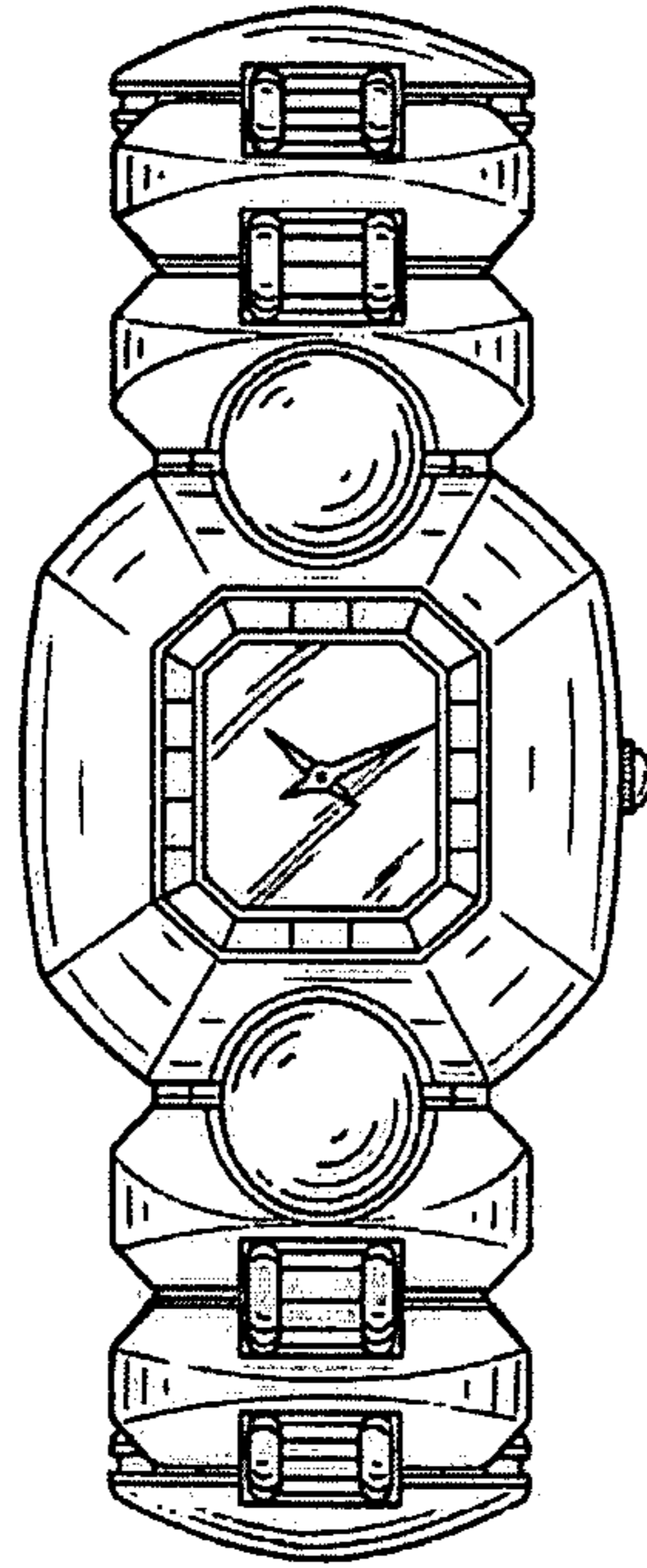


FIG. 2

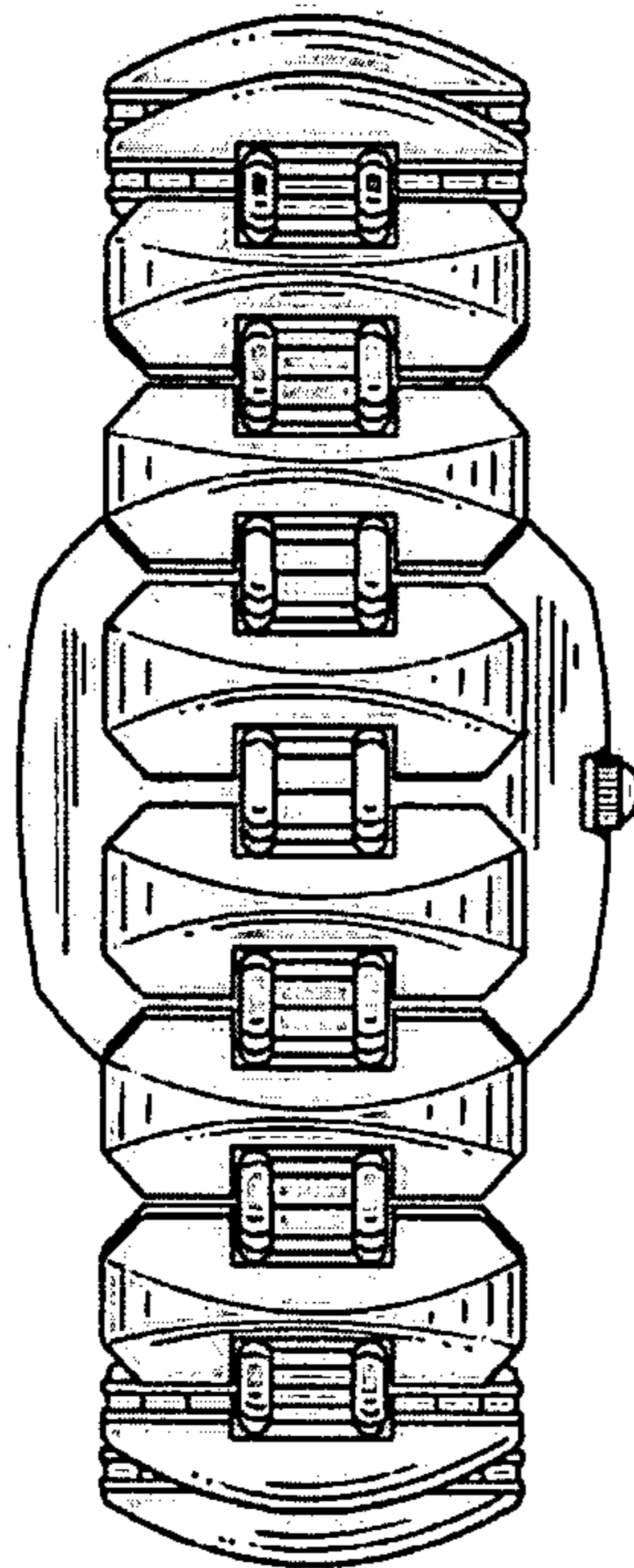


FIG. 3

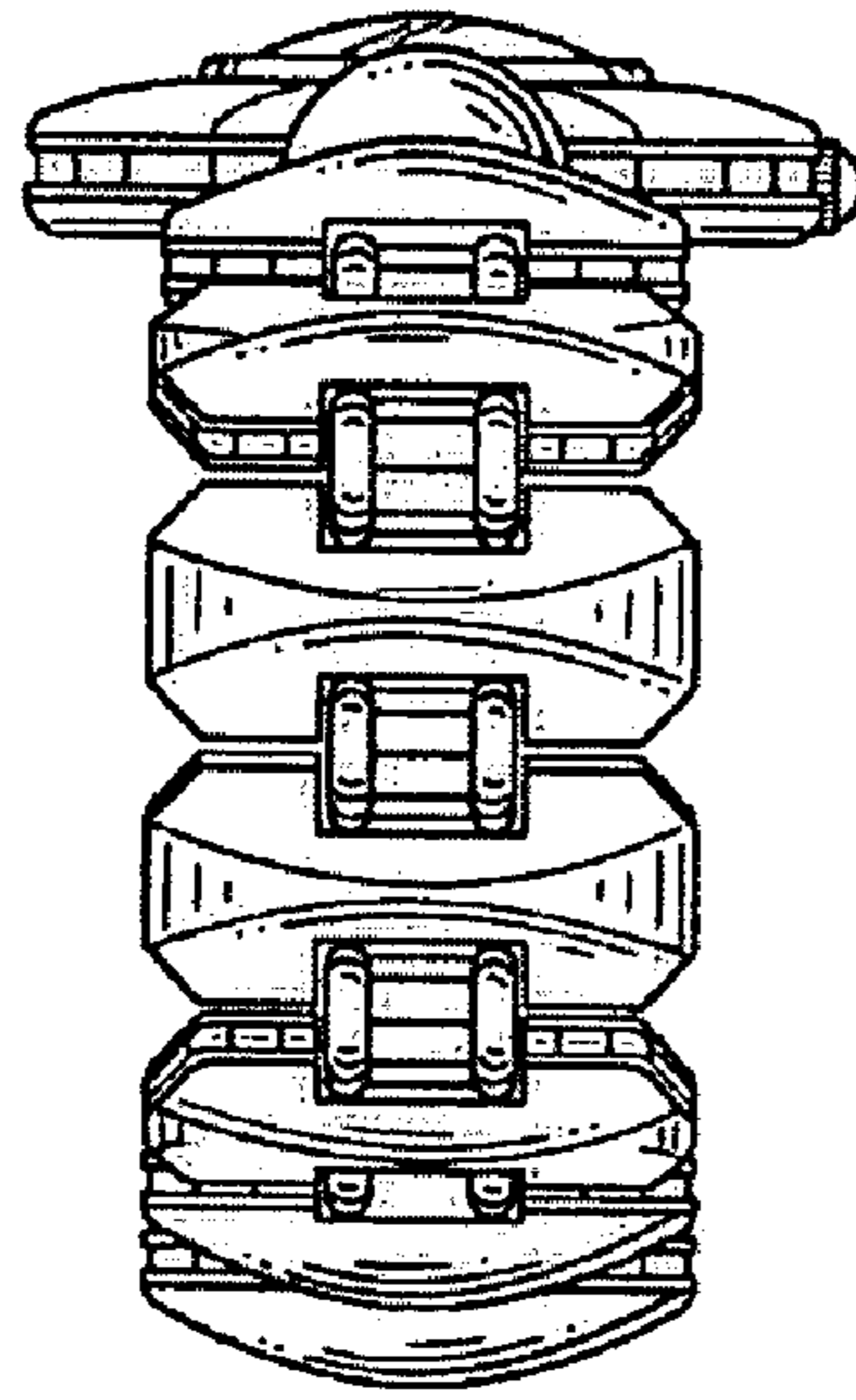


FIG. 4

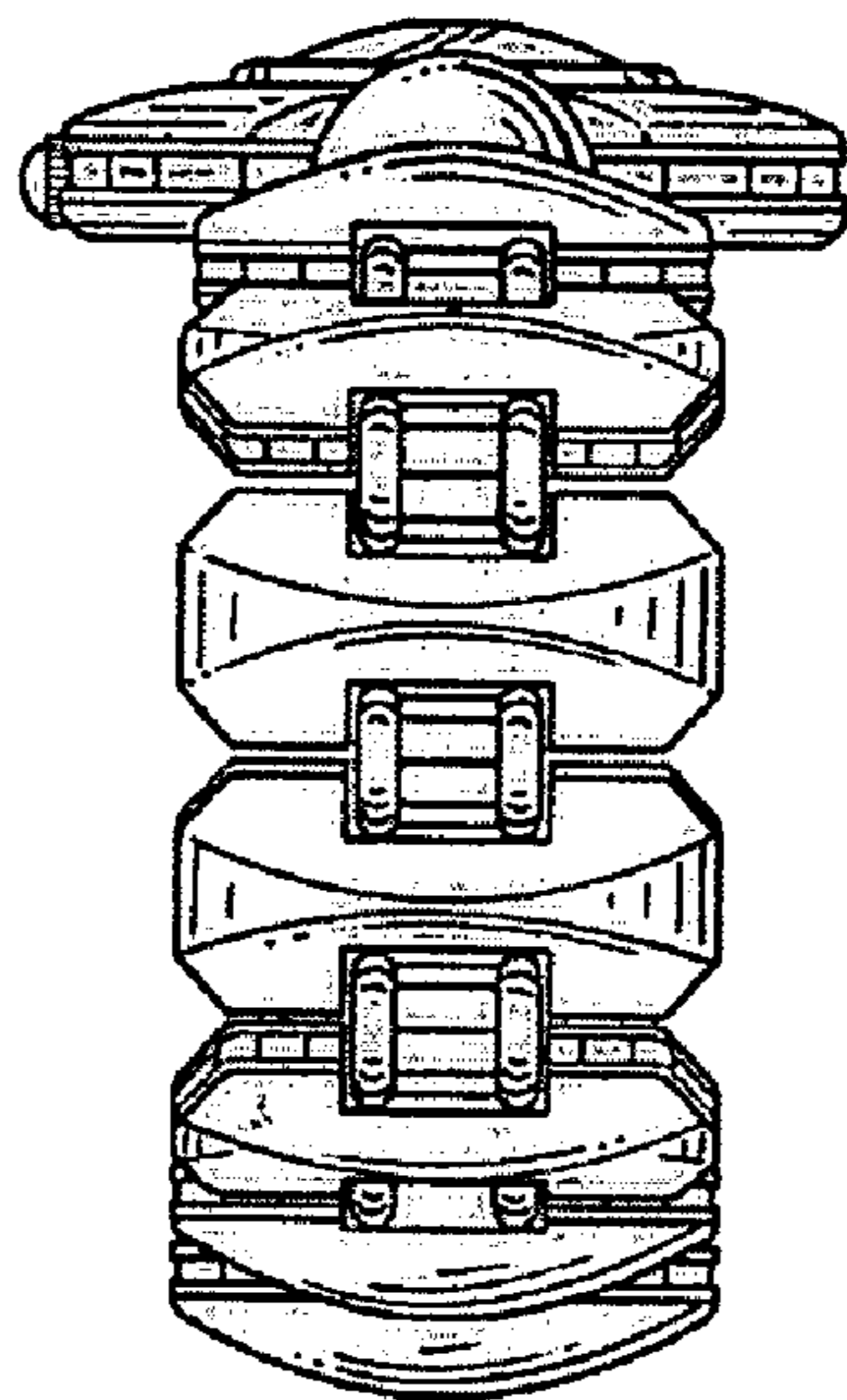


FIG. 5

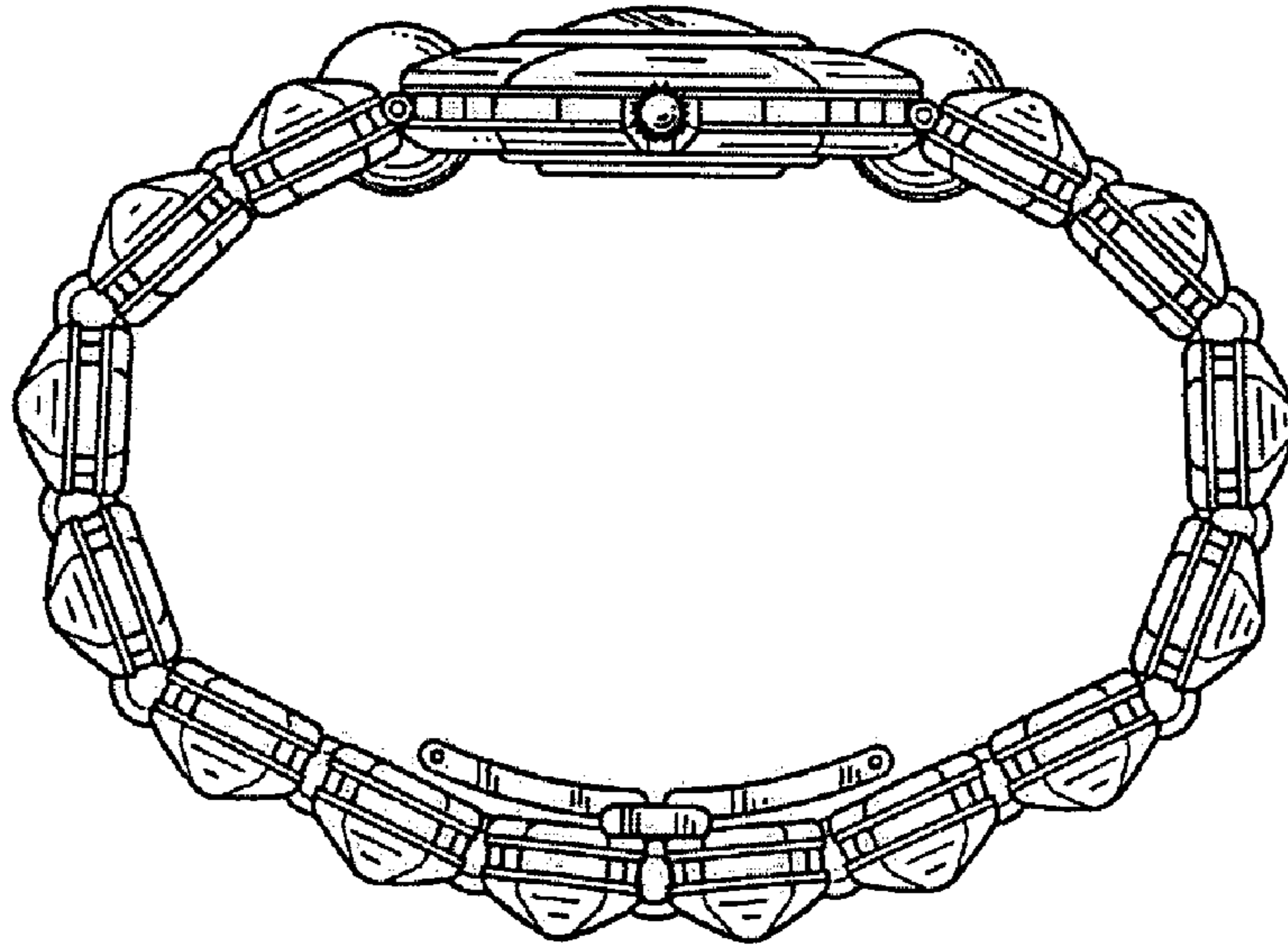


FIG. 7

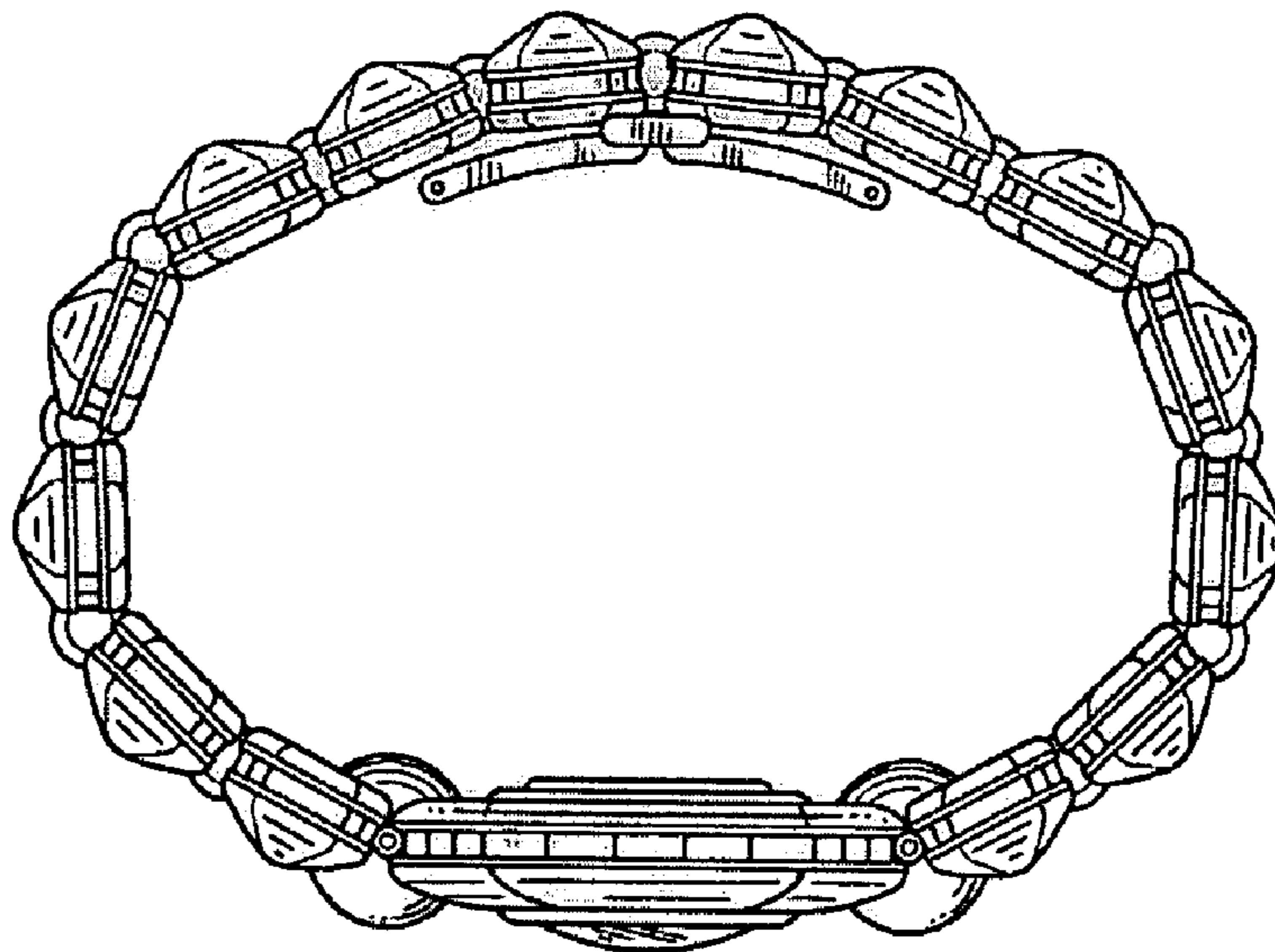


FIG. 6