



US00D559118S

(12) **United States Design Patent**
Staunton

(10) **Patent No.:** **US D559,118 S**
(45) **Date of Patent:** **** Jan. 8, 2008**

(54) **HOUSE TIN**

5,361,929 A * 11/1994 McLain et al. 220/890
D380,021 S * 6/1997 Hartsfield D21/511

(76) Inventor: **Dundee Staunton**, 272 Dawlish
Avenue, Toronto, Ontario (CA) M4N
1J5

* cited by examiner

(**) Term: **14 Years**

Primary Examiner—Sandra L. Morris
(74) *Attorney, Agent, or Firm*—Summa, Allan & Addition,
P.A.

(21) Appl. No.: **29/250,045**

(57) **CLAIM**

(22) Filed: **Oct. 31, 2006**

The ornamental design for a house tin, as shown and
described.

(51) **LOC (8) Cl.** **09-01**

(52) **U.S. Cl.** **D9/636**

(58) **Field of Classification Search** D9/600,
D9/636-638; D21/506, 511; D7/539, 571,
D7/301-302, 594, 604, 606, 613, 619.2, 628;
206/457-458; 215/375, 400; 220/890; 229/116.1-116.3
See application file for complete search history.

DESCRIPTION

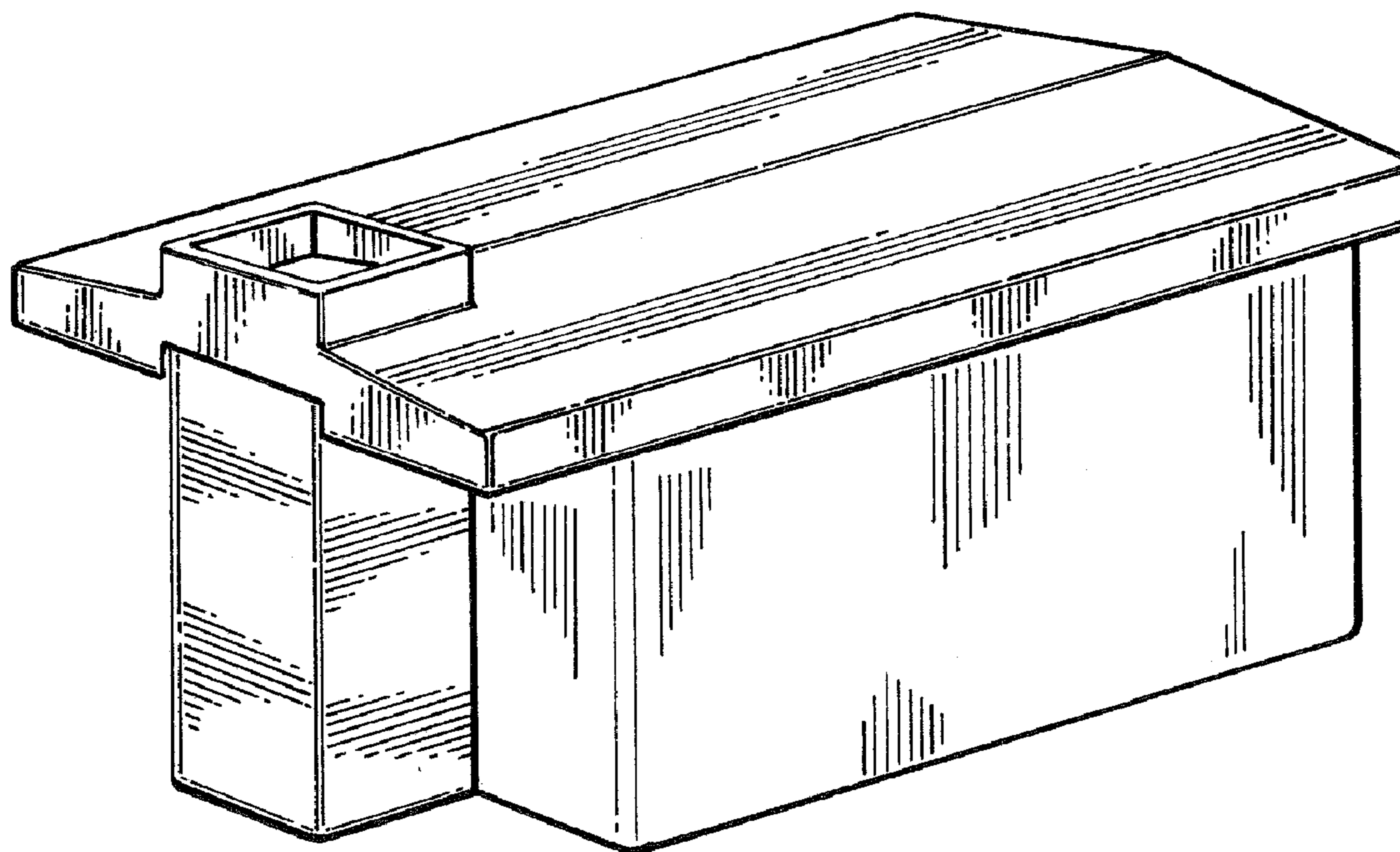
FIG. 1 is a perspective view of the house tin design.
FIG. 2 is a side elevational view of the house tin design.
FIG. 3 is a second side elevational view house tin design.
FIG. 4 is a third side elevational view of the house tin design.
FIG. 5 is a side elevational view of the house tin design
taken opposite from the view of FIG. 2.
FIG. 6 is a top plan view of the house tin design.
FIG. 7 is a bottom plan view of the house tin design; and,
FIG. 8 is a second perspective view thereof, shown in an
alternate position.

(56) **References Cited**

U.S. PATENT DOCUMENTS

D164,215 S * 8/1951 Ayers D7/302
D195,001 S * 4/1963 Ravreby D9/637
D274,738 S * 7/1984 Nuttall et al. D21/511

1 Claim, 3 Drawing Sheets



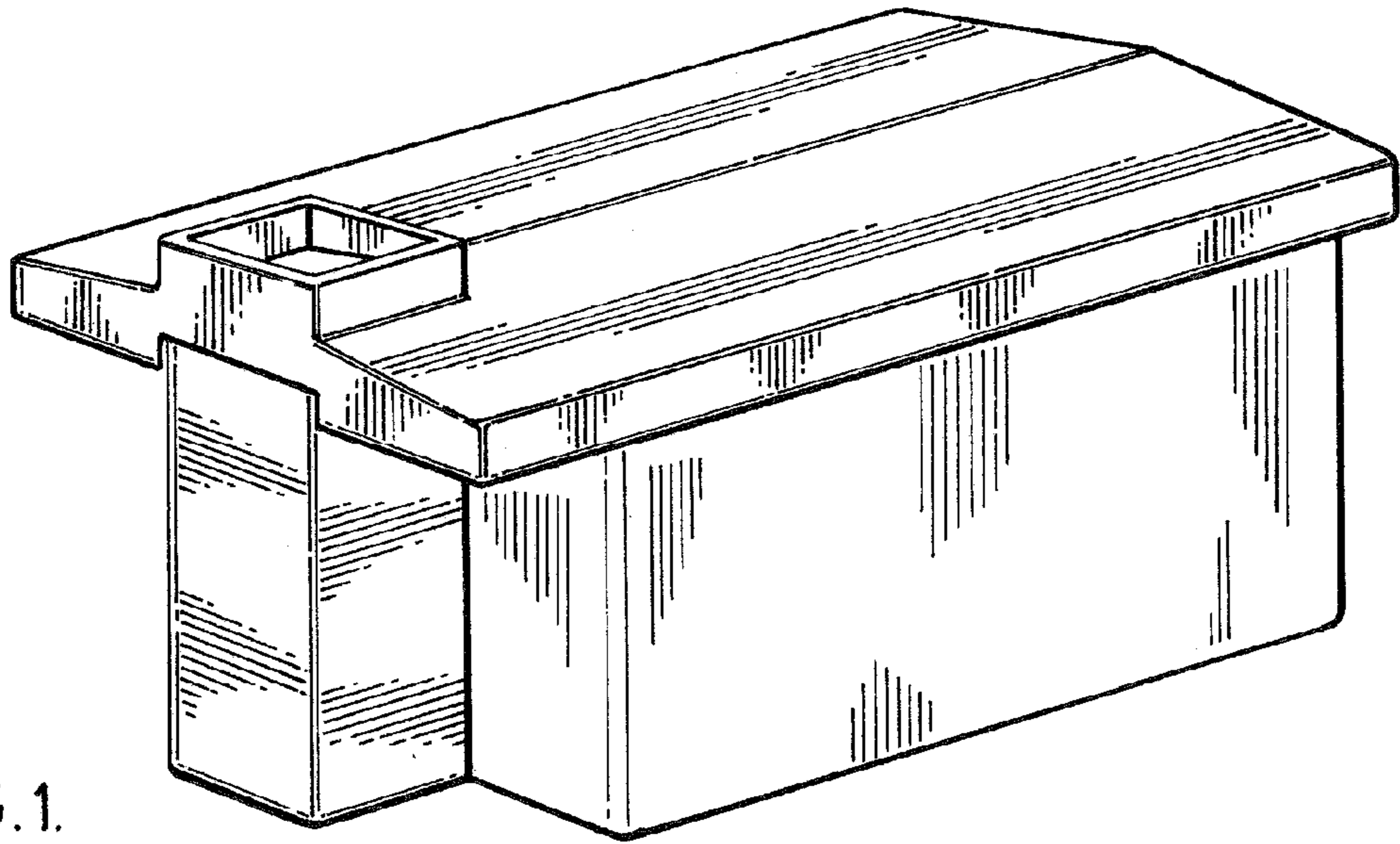


FIG. 1.

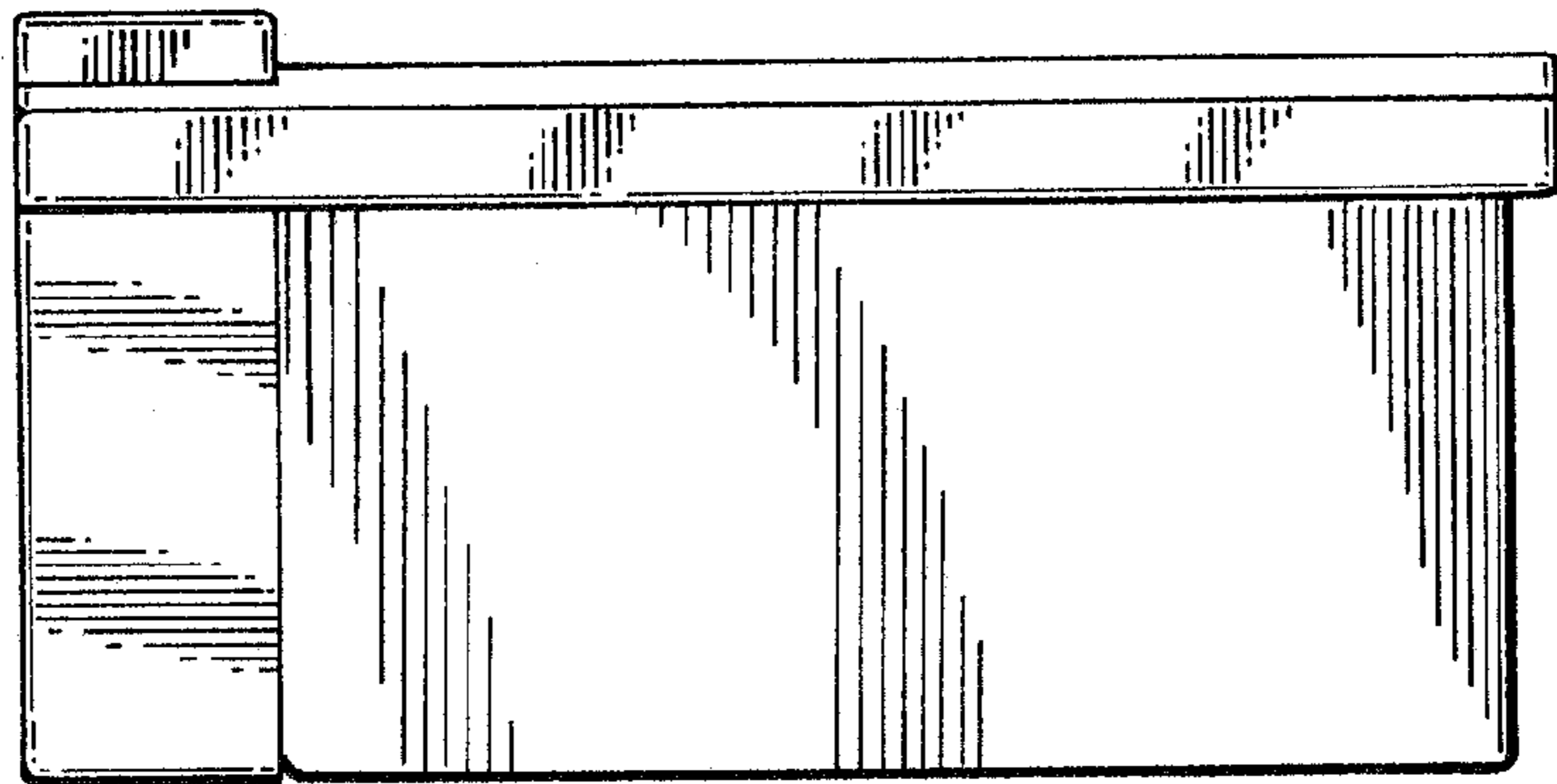


FIG. 2

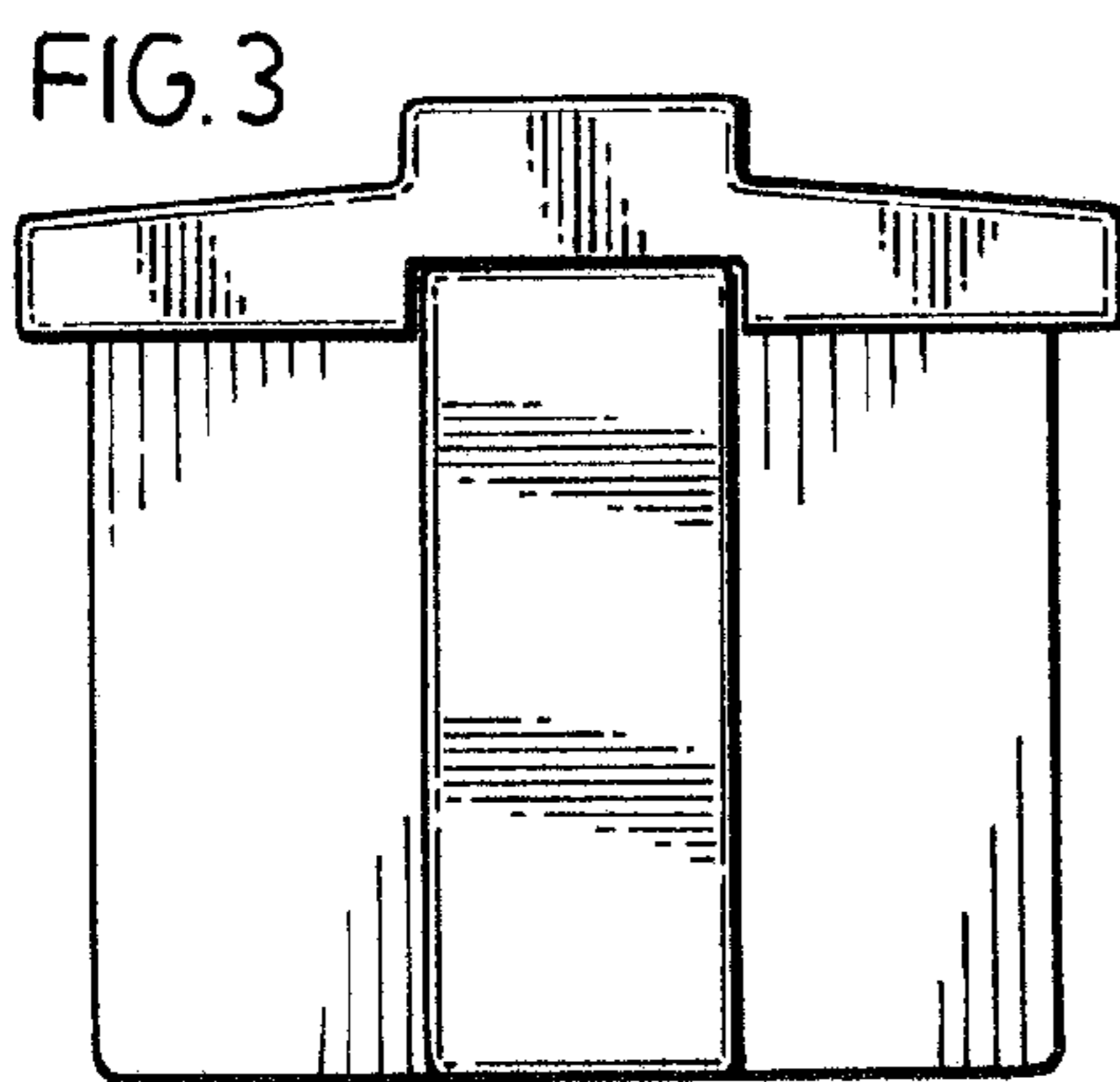


FIG. 3

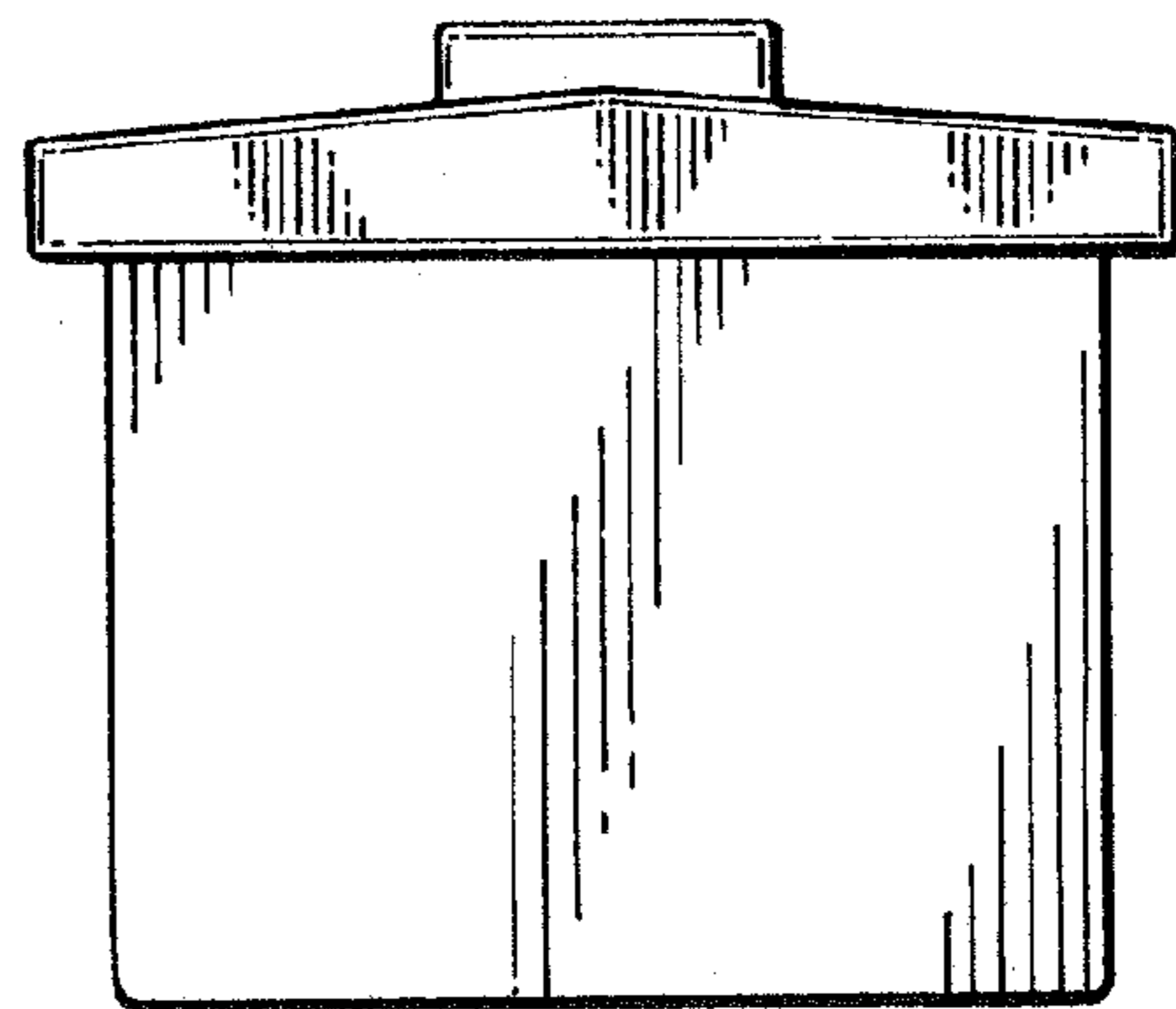


FIG. 4

FIG. 5.

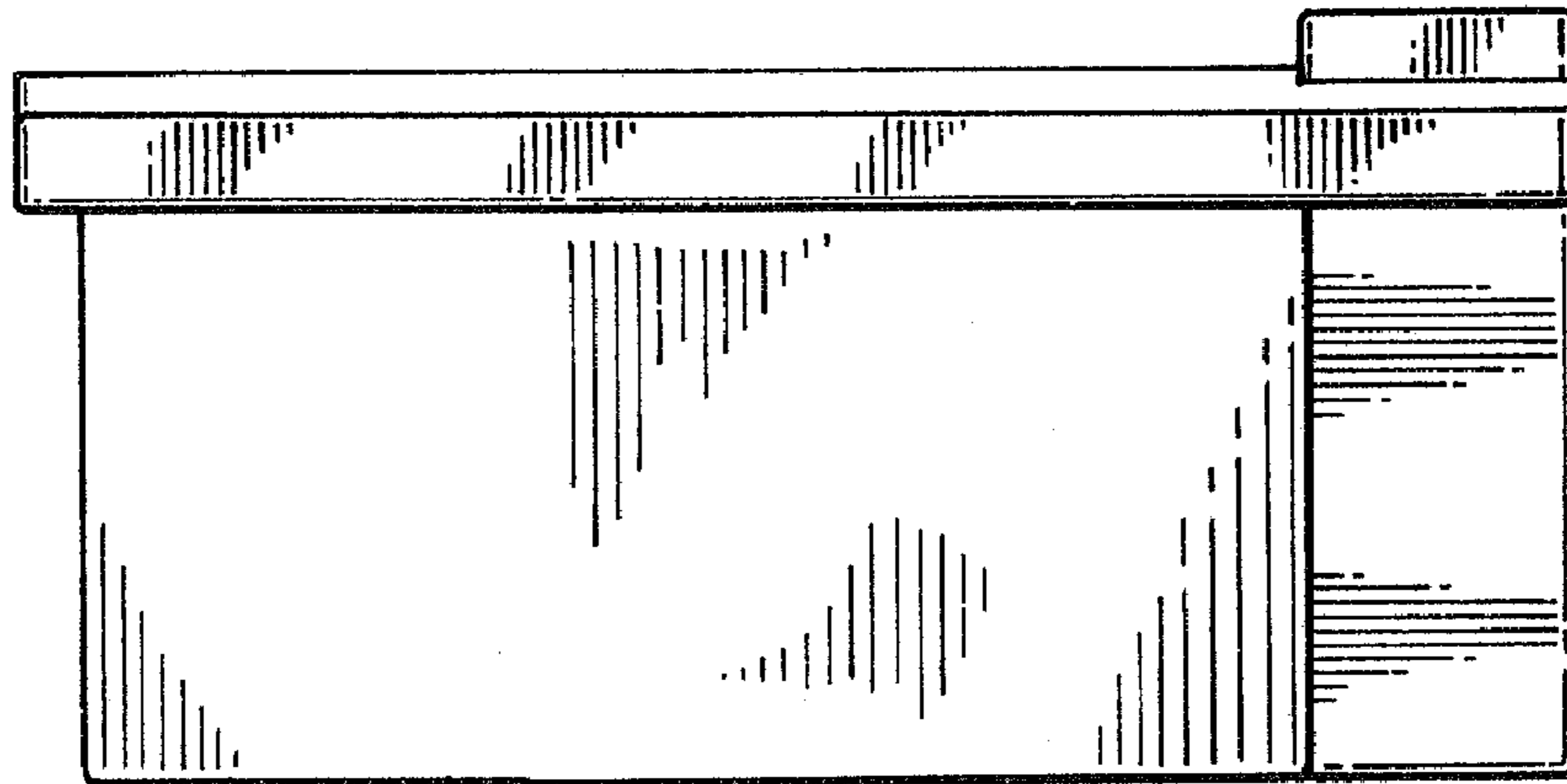


FIG. 6.

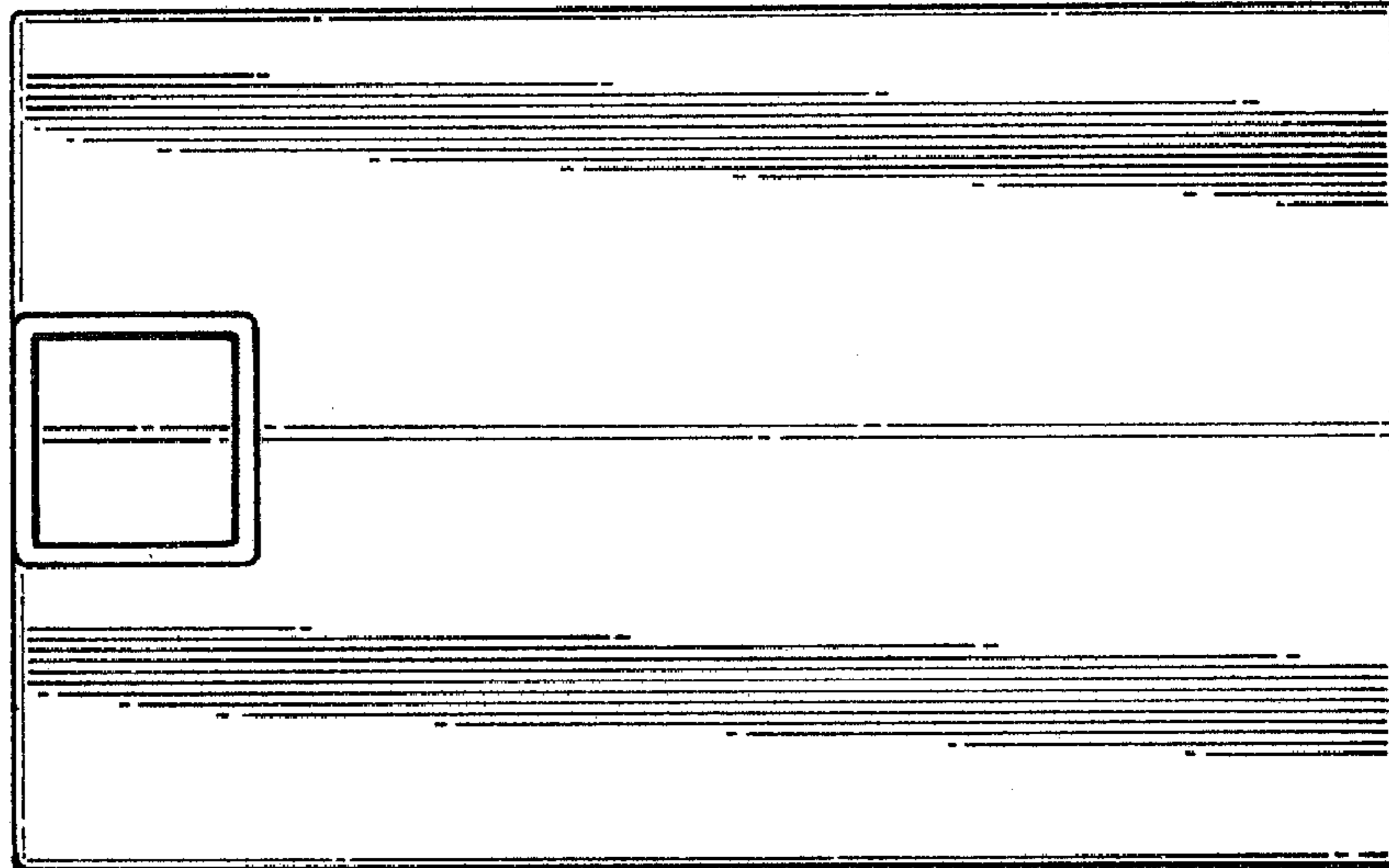
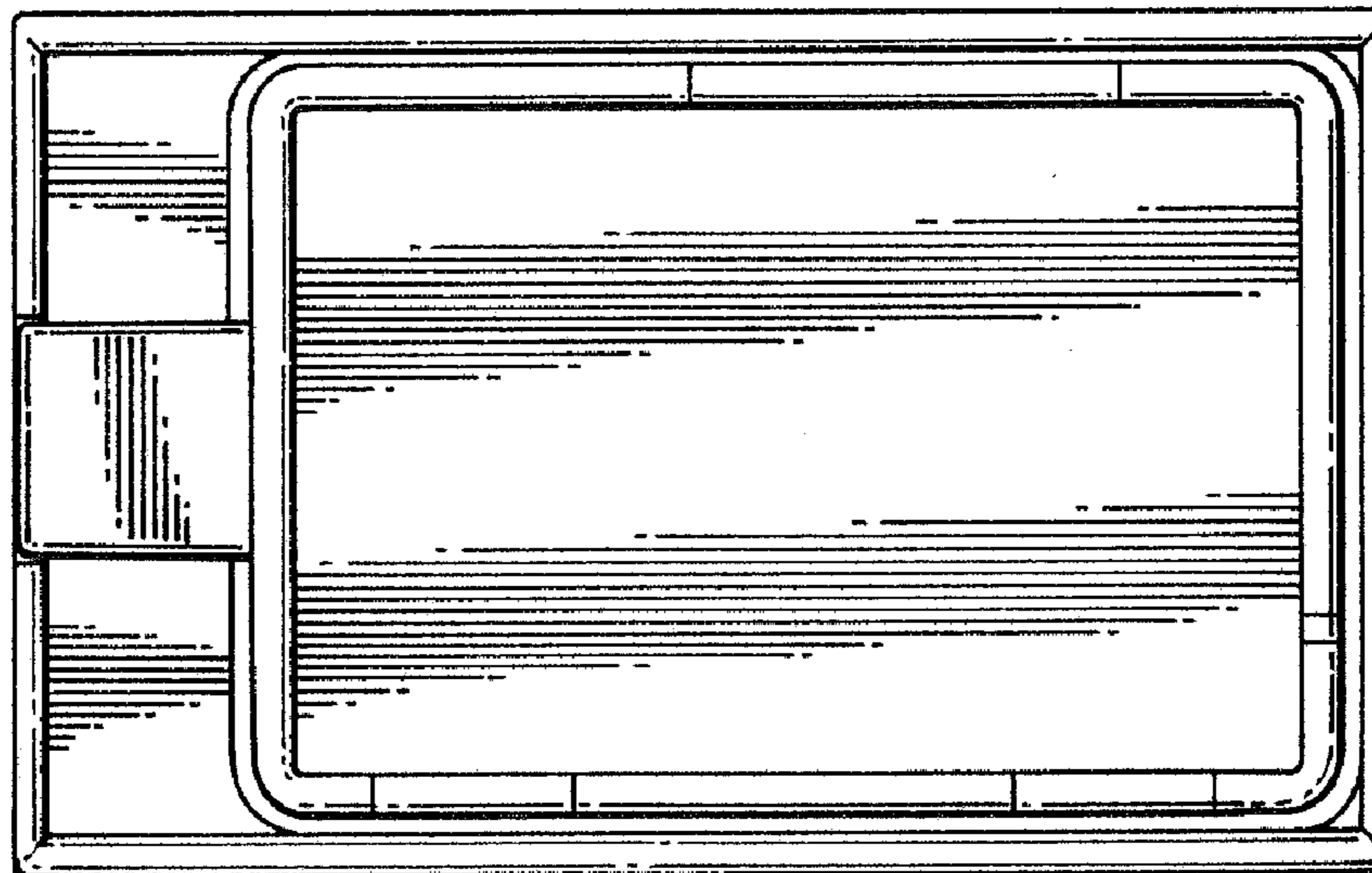


FIG. 7.



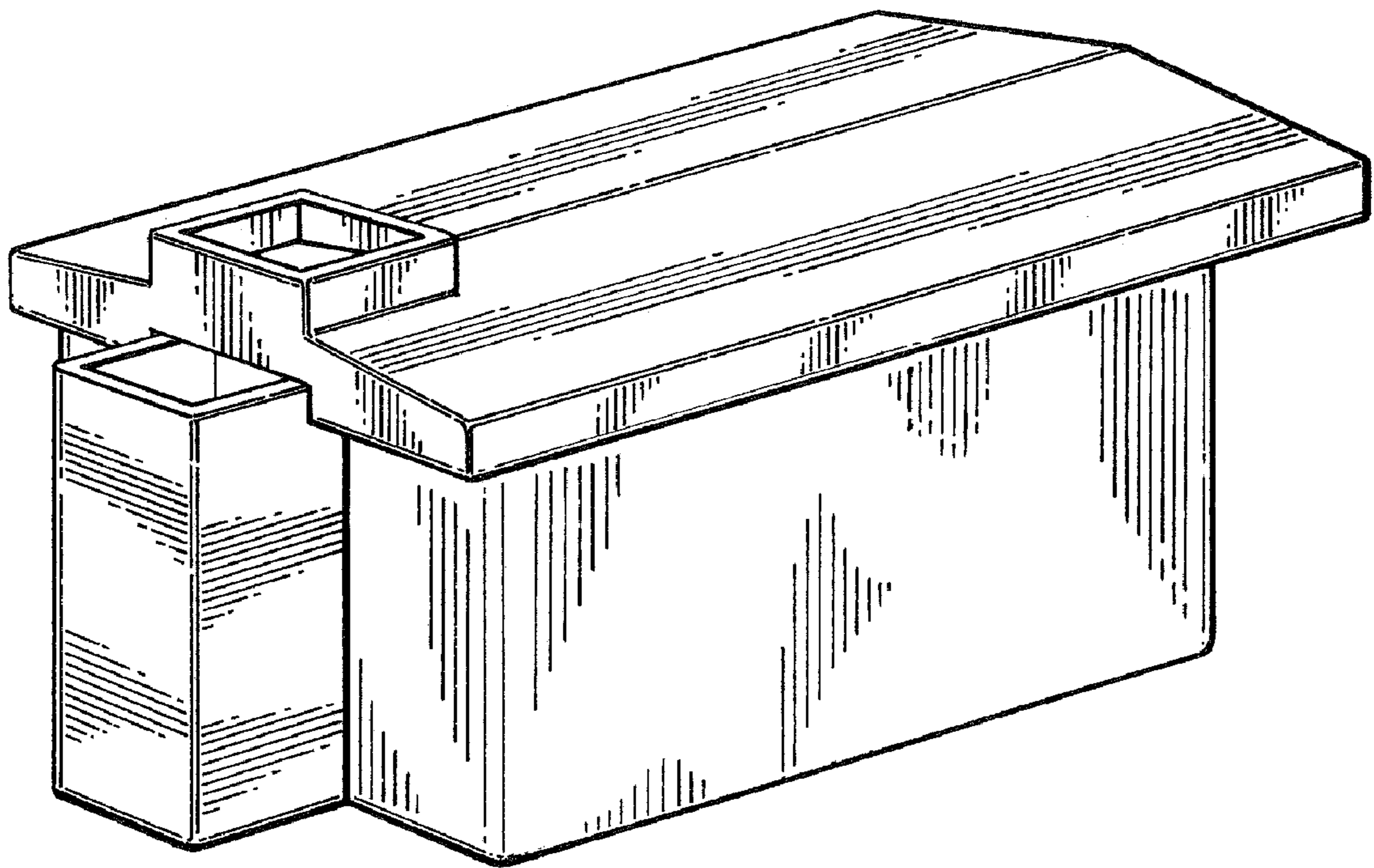


FIG. 8.