



US00D559105S

(12) **United States Design Patent**
D'Amato

(10) **Patent No.:** **US D559,105 S**
(45) **Date of Patent:** **** Jan. 8, 2008**

(54) **LID FOR CUPS**

(75) Inventor: **Gianfranco D'Amato**, Arzano Napoli (IT)

(73) Assignee: **SEDA S.p.A.**, Naples (IT)

(**) Term: **14 Years**

(21) Appl. No.: **29/274,765**

(22) Filed: **May 22, 2007**

D290,326 S	6/1987	Daenen et al.	
D397,938 S	9/1998	Graham et al.	
D412,639 S	8/1999	Demore	
D425,363 S *	5/2000	Loew et al. D7/392.1
D452,455 S	12/2001	Rimes	
6,427,864 B1	8/2002	Asselin	
D466,364 S *	12/2002	Demore D7/392.1
D516,910 S	3/2006	Bresler	
D518,373 S	4/2006	Schulthess	
D519,374 S	4/2006	Hornke	
D526,158 S	8/2006	Laib	
D536,922 S *	2/2007	Roth et al. D7/391
D536,923 S *	2/2007	Roth et al. D7/392.1

Related U.S. Application Data

(62) Division of application No. 29/259,882, filed on May 18, 2006.

Foreign Application Priority Data

Nov. 18, 2005 (EM) 000433784

(51) **LOC (8) Cl.** **09-07**

(52) **U.S. Cl.** **D9/454**

(58) **Field of Classification Search** D9/447,
D9/435, 434, 454; D7/683, 671, 396.2, 392.1,
D7/391; 221/63

See application file for complete search history.

References Cited

U.S. PATENT DOCUMENTS

D248,363 S	7/1978	Rinaldi
D276,118 S	10/1984	Conti et al.
D282,044 S	1/1986	McClelland

* cited by examiner

Primary Examiner—Gary D. Watson
Assistant Examiner—Susan Bennett Hattan
(74) *Attorney, Agent, or Firm*—Young & Thompson

(57) **CLAIM**

The ornamental design for a lid for cups, as shown and described.

DESCRIPTION

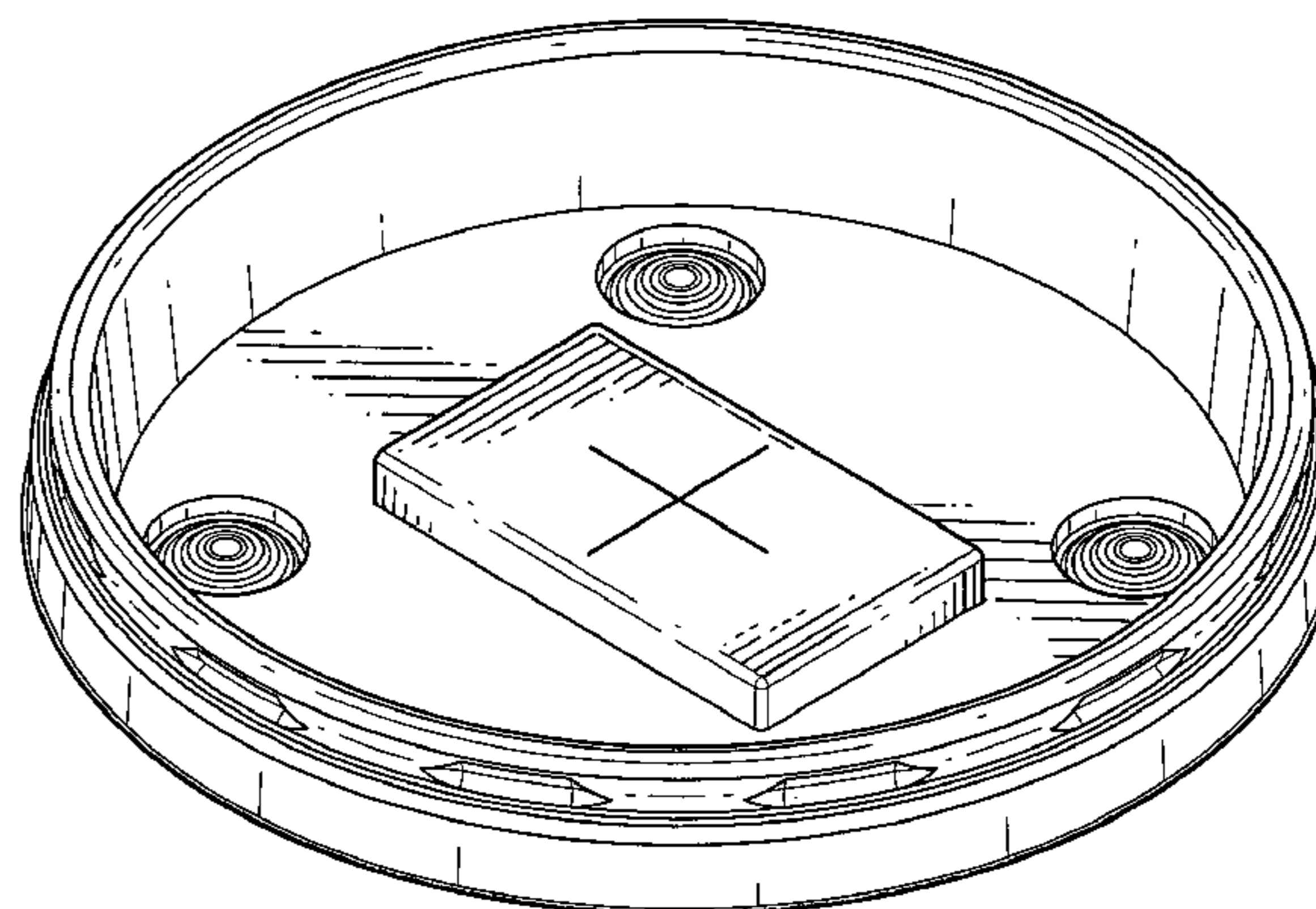
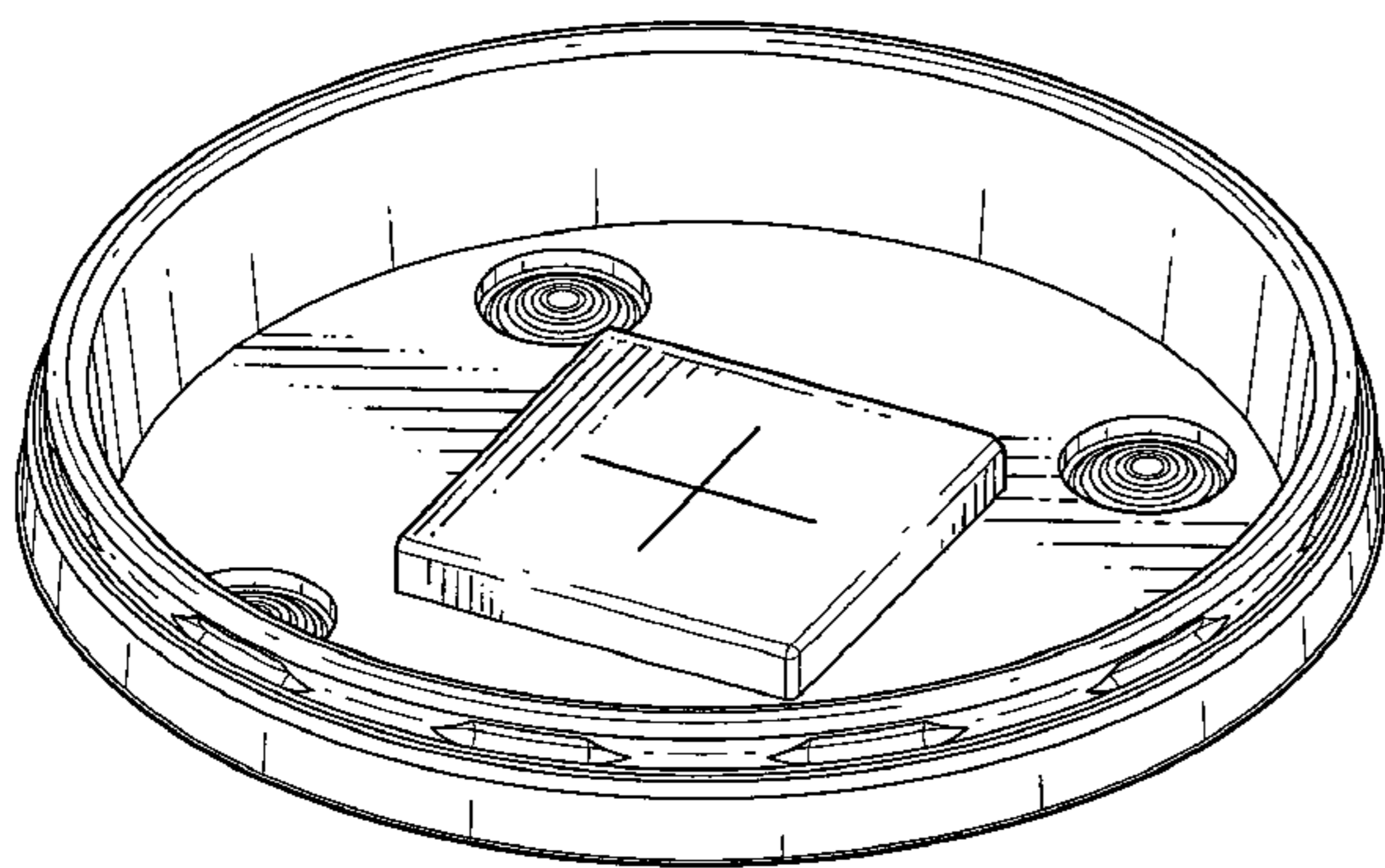
FIG. 1 is a side and top perspective view of a lid for cups, showing my new design;

FIG. 2 is a top view thereof;

FIG. 3 is a side and top perspective view of a second embodiment of a lid for cups, showing my new design; and,

FIG. 4 is a top view thereof.

1 Claim, 4 Drawing Sheets



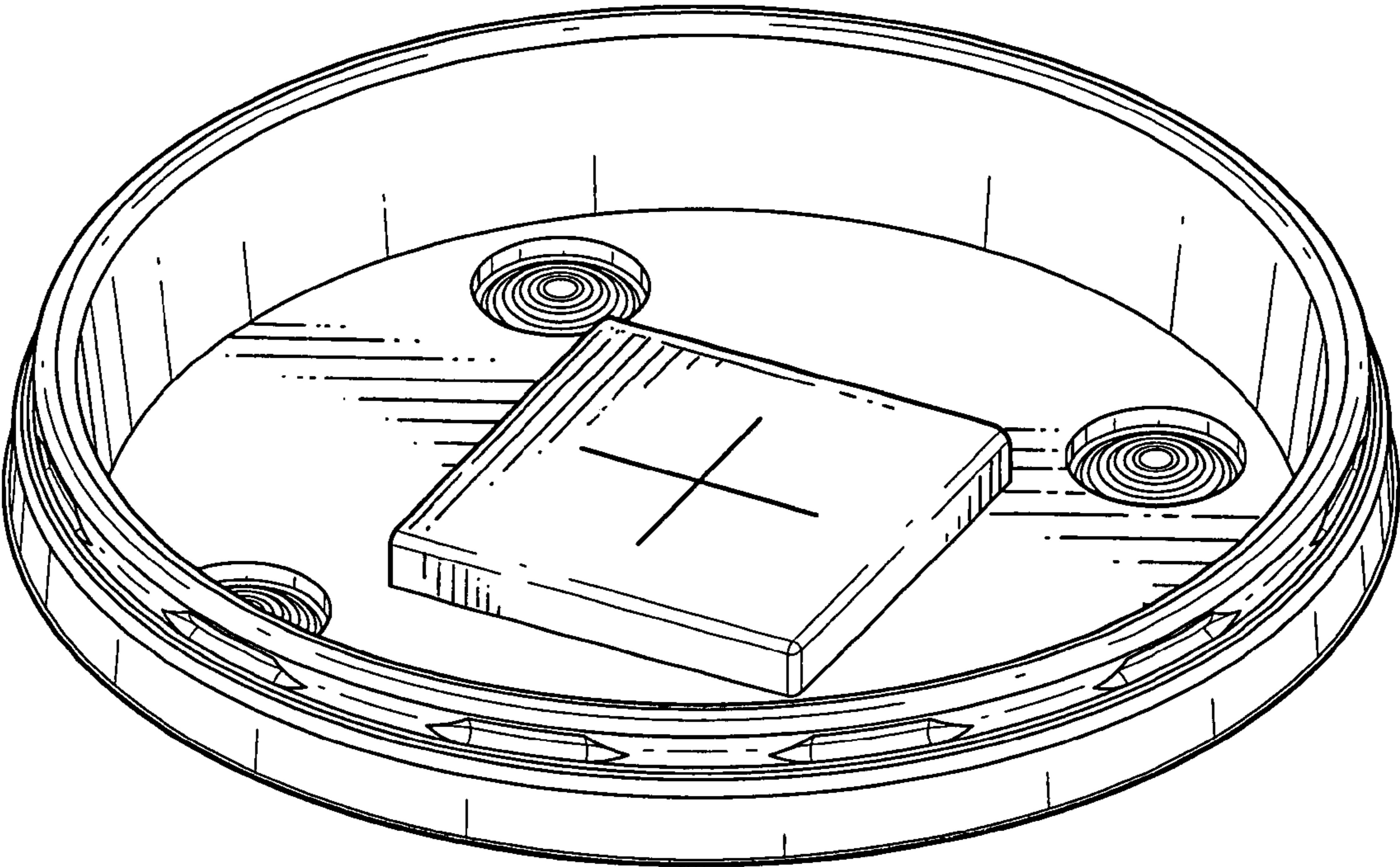


FIG. 1

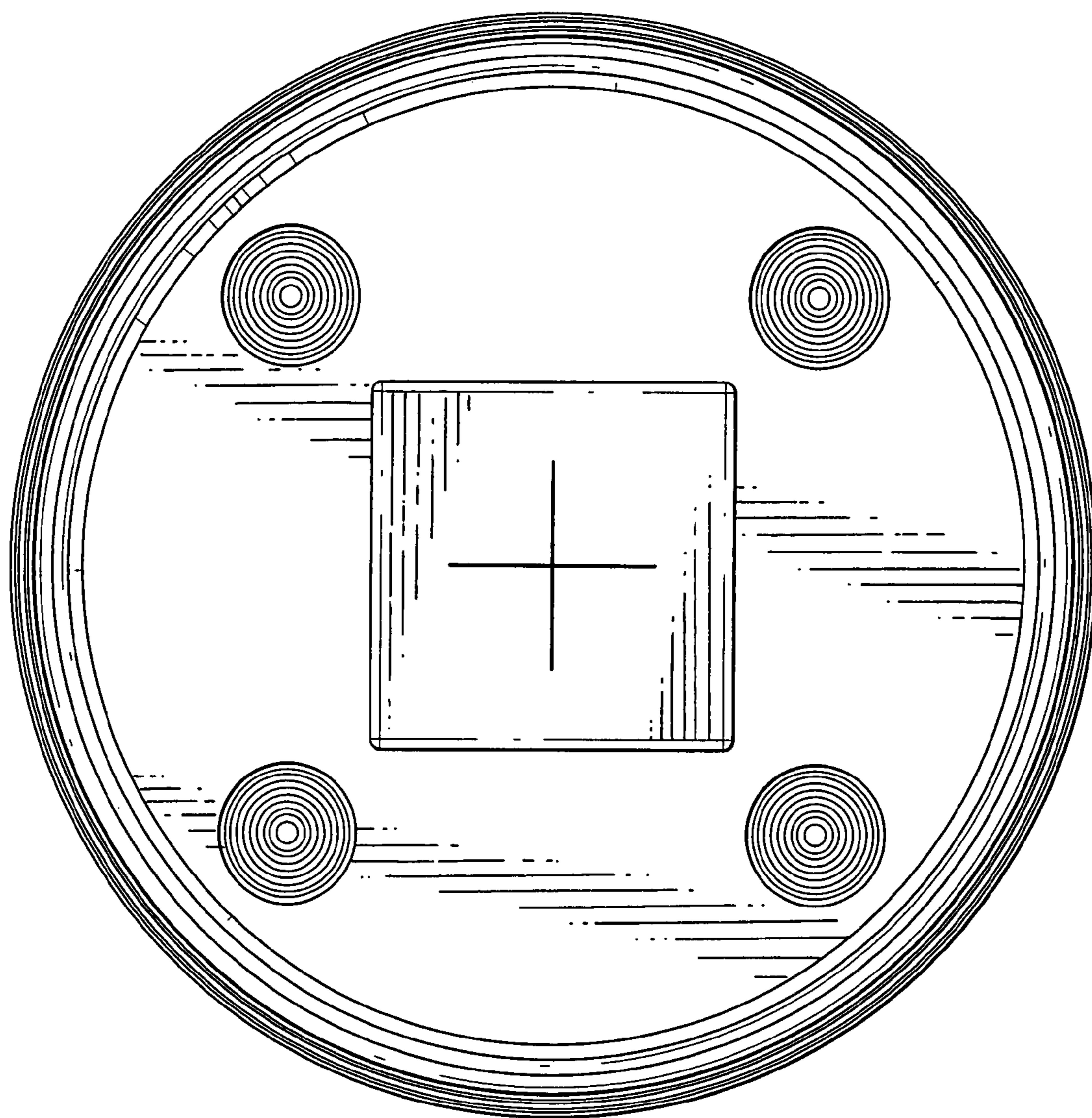


FIG. 2

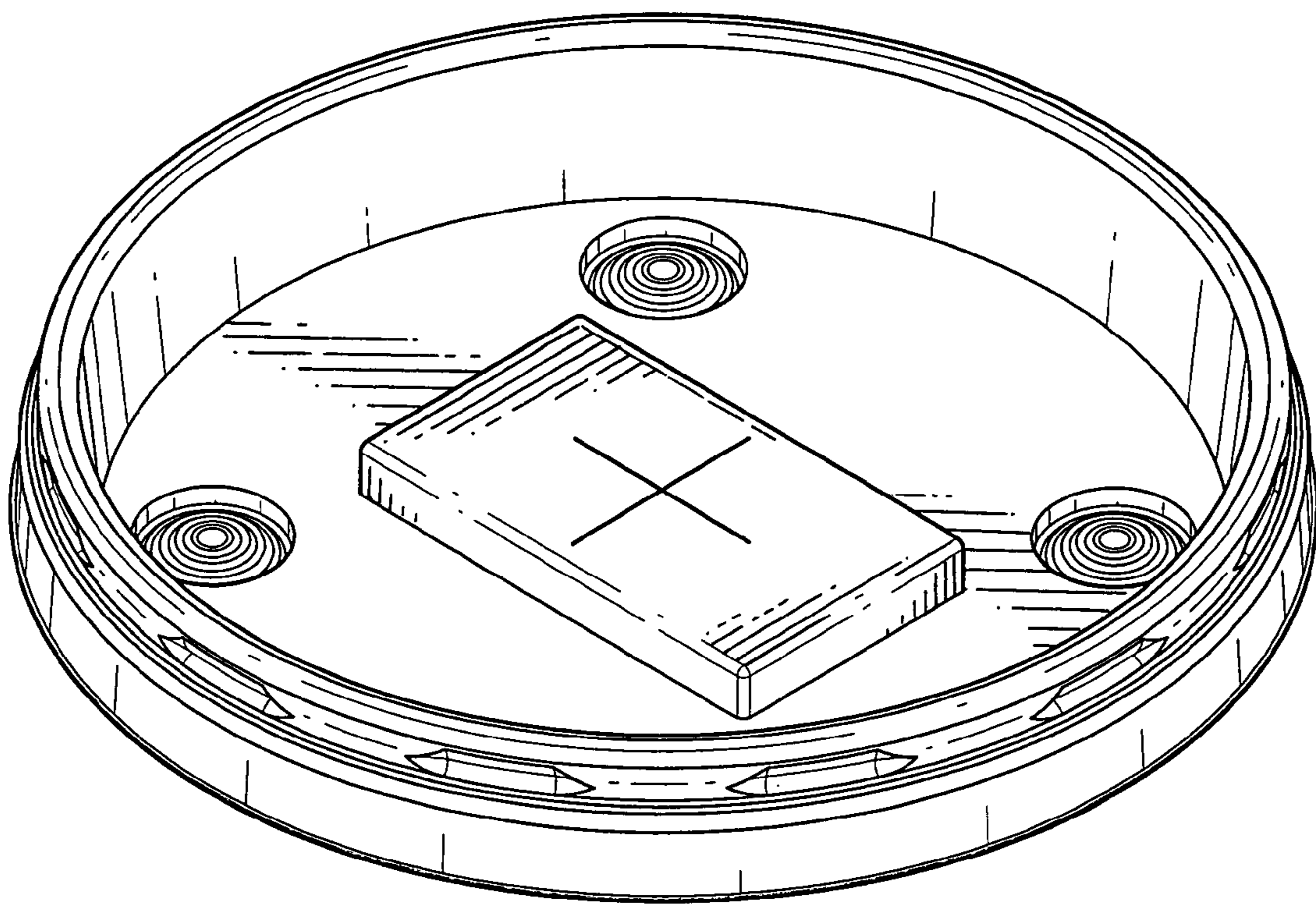


FIG.3

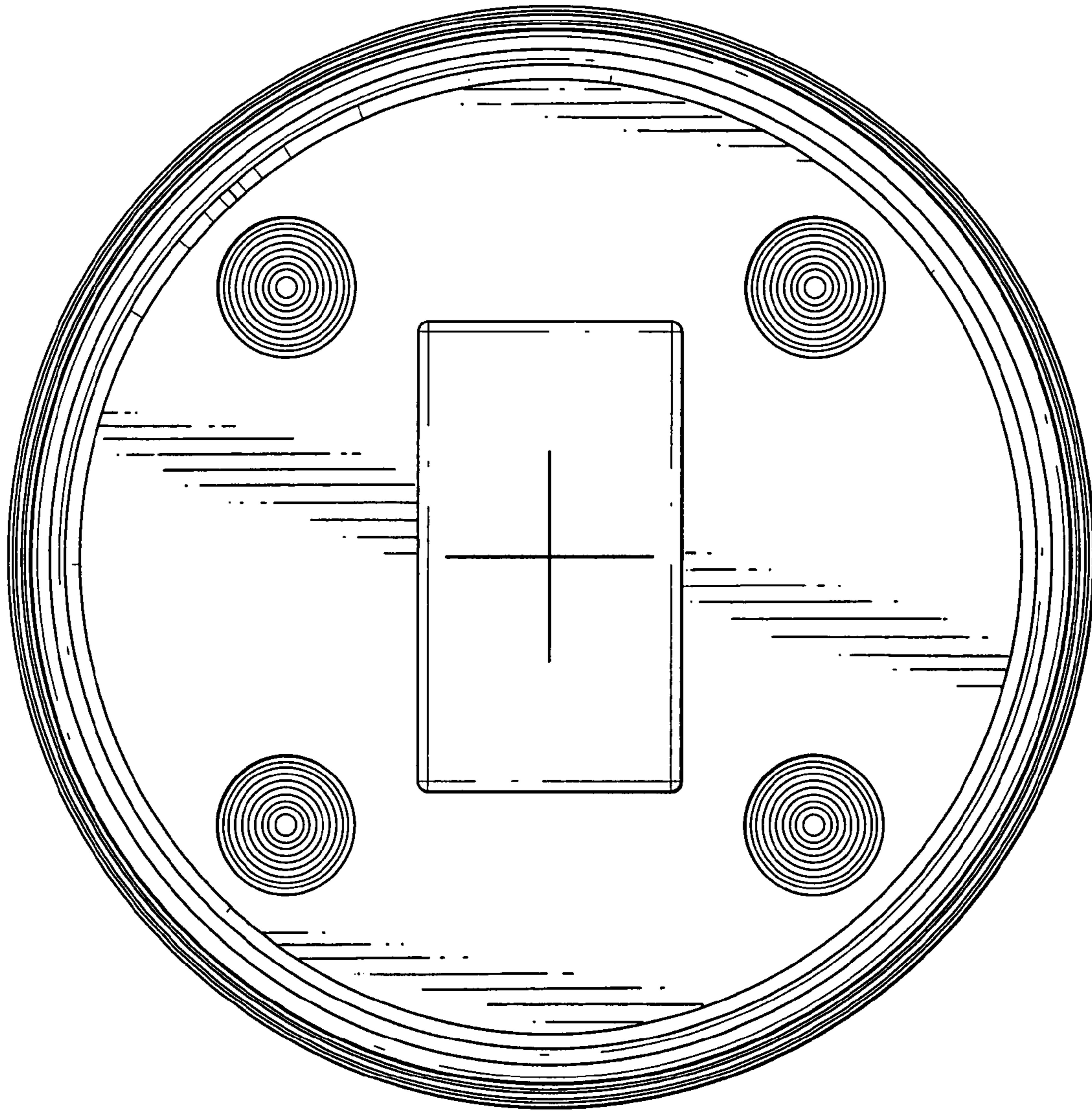


FIG. 4