



US00D559102S

(12) **United States Design Patent**
Houghton et al.

(10) **Patent No.:** **US D559,102 S**
(45) **Date of Patent:** **** Jan. 8, 2008**

(54) **PART OF A CONTAINER**

(75) Inventors: **Christopher Mark Houghton**,
Shortstown (GB); **Stephen Sams**,
Bassingbourn (GB); **Dorothea Luise**
Niklas, Mainz (DE); **Martin Zethoff**,
Kelkheim (DE)

(73) Assignee: **The Procter & Gamble Company**,
Cincinnati, OH (US)

(**) Term: **14 Years**

(21) Appl. No.: **29/218,011**

(22) Filed: **Nov. 24, 2004**

(30) **Foreign Application Priority Data**

May 28, 2004 (EM) 000183462

(51) **LOC (8) Cl.** **09-07**

(52) **U.S. Cl.** **D9/434**

(58) **Field of Classification Search** D8/373,
D8/380; 248/309.1; D9/434, 425, 428-429;
D6/518; 206/518-519, 392, 389; 222/153.1
See application file for complete search history.

(56) **References Cited**

U.S. PATENT DOCUMENTS

3,556,339 A * 1/1971 Lind et al. 220/787
D277,993 S * 3/1985 Sinchok D3/312
D283,312 S * 4/1986 Ebrahim D9/434

D311,338 S * 10/1990 Serio, Jr. D9/434
D339,017 S * 9/1993 Goodman et al. D6/567
D376,972 S * 12/1996 Zissu D8/354
D418,708 S * 1/2000 Kanfer et al. D6/567
D422,828 S * 4/2000 Kanfer et al. D6/567
6,264,154 B1 * 7/2001 Hiscox et al. 248/313
D520,286 S * 5/2006 Chen et al. D6/553

* cited by examiner

Primary Examiner—Holly H. Baynham

(74) *Attorney, Agent, or Firm*—Jay A. Krebs; Laura L.
Whitmer; Ken K. Patel

(57) **CLAIM**

We claim the ornamental design for a part of a container, as
shown and described.

DESCRIPTION

FIG. 1 is a left front perspective view of the part of a
container;

FIG. 2 is a front elevational view of the part of a container;

FIG. 3 is a back elevational view of the part of a container;

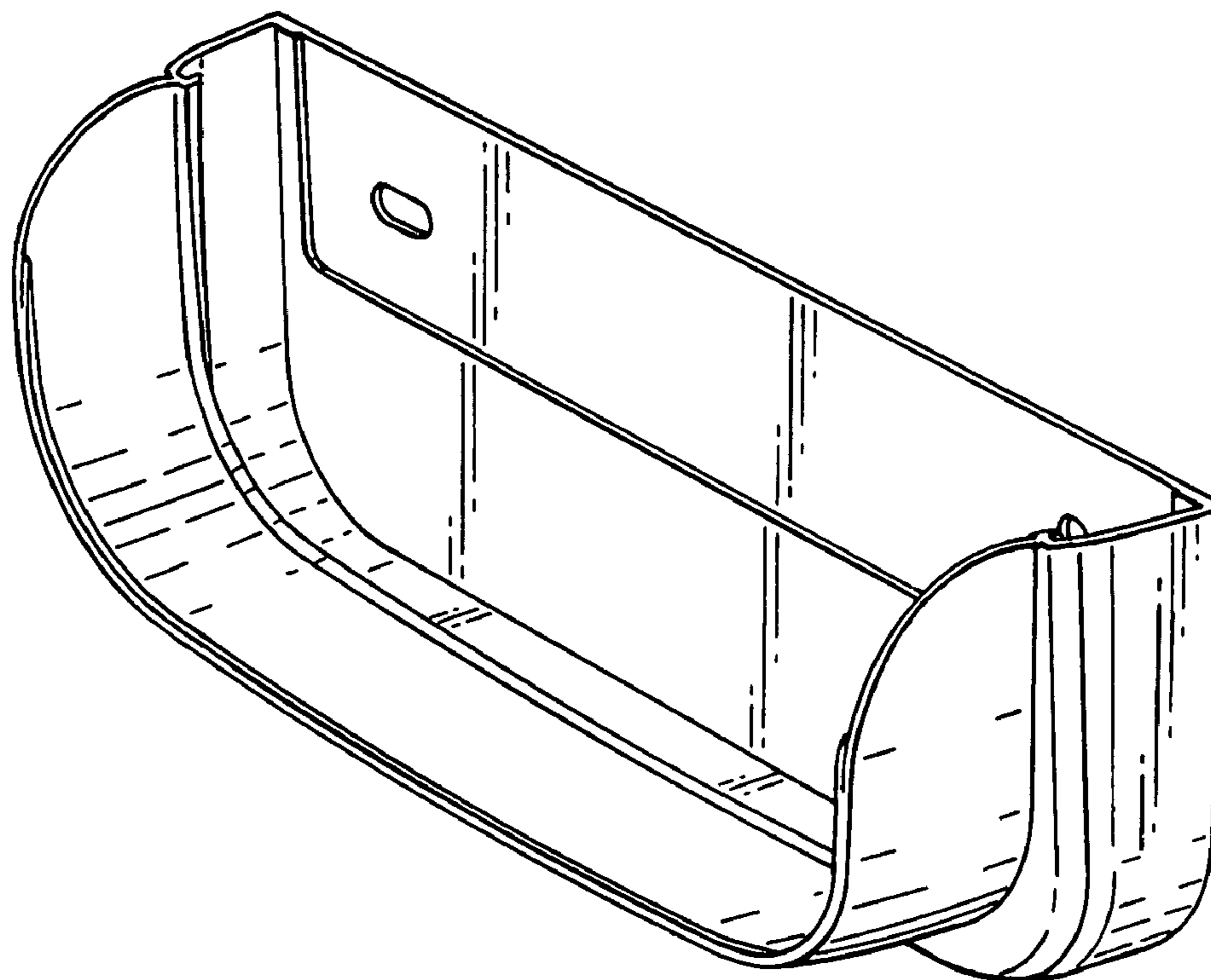
FIG. 4 is a right side elevational view of the part of a
container;

FIG. 5 is a top view of the part of a container;

FIG. 6 is a bottom view of the part of a container; and,

FIG. 7 is a left side elevational view of the part of a
container.

1 Claim, 3 Drawing Sheets



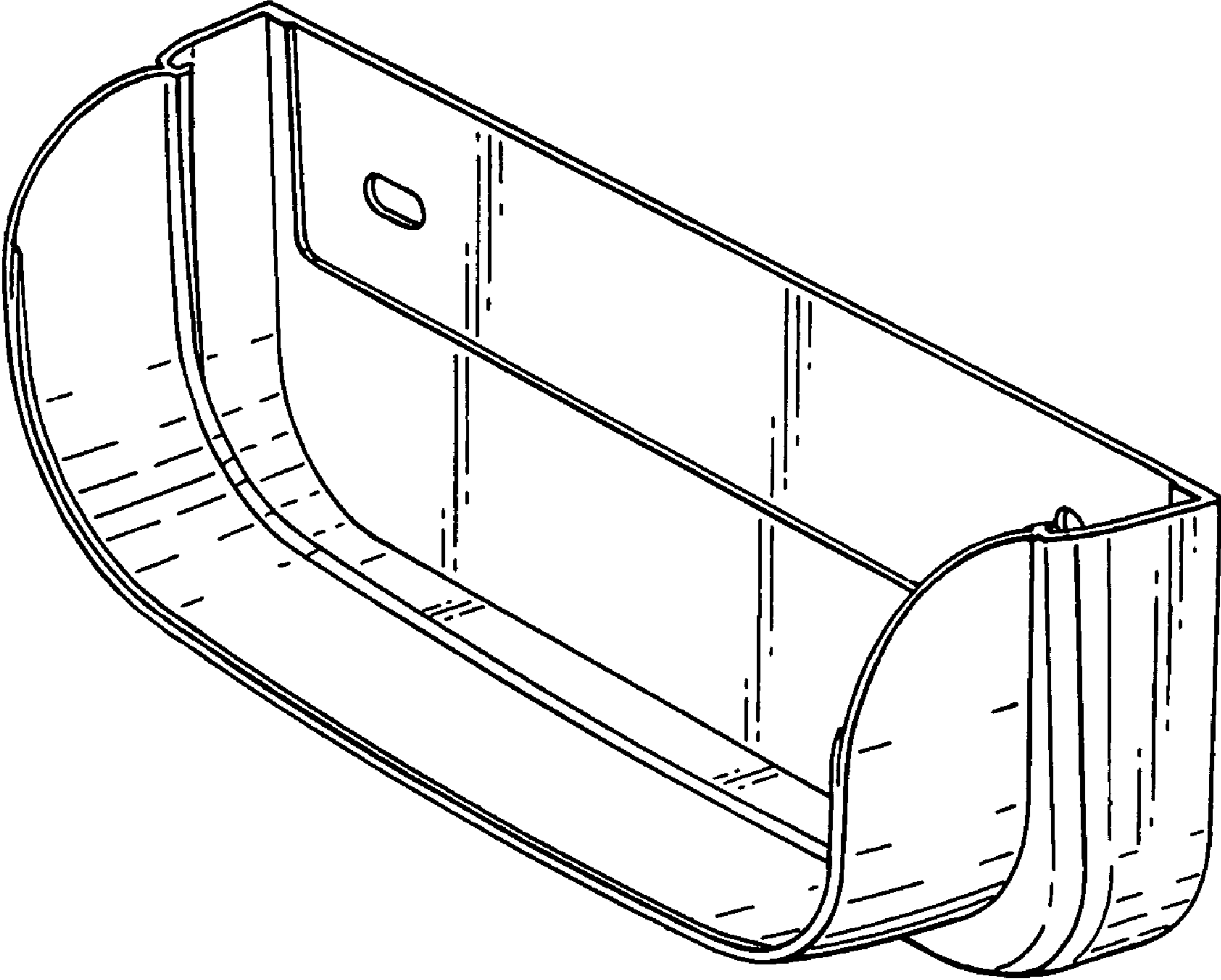


Fig. 1.

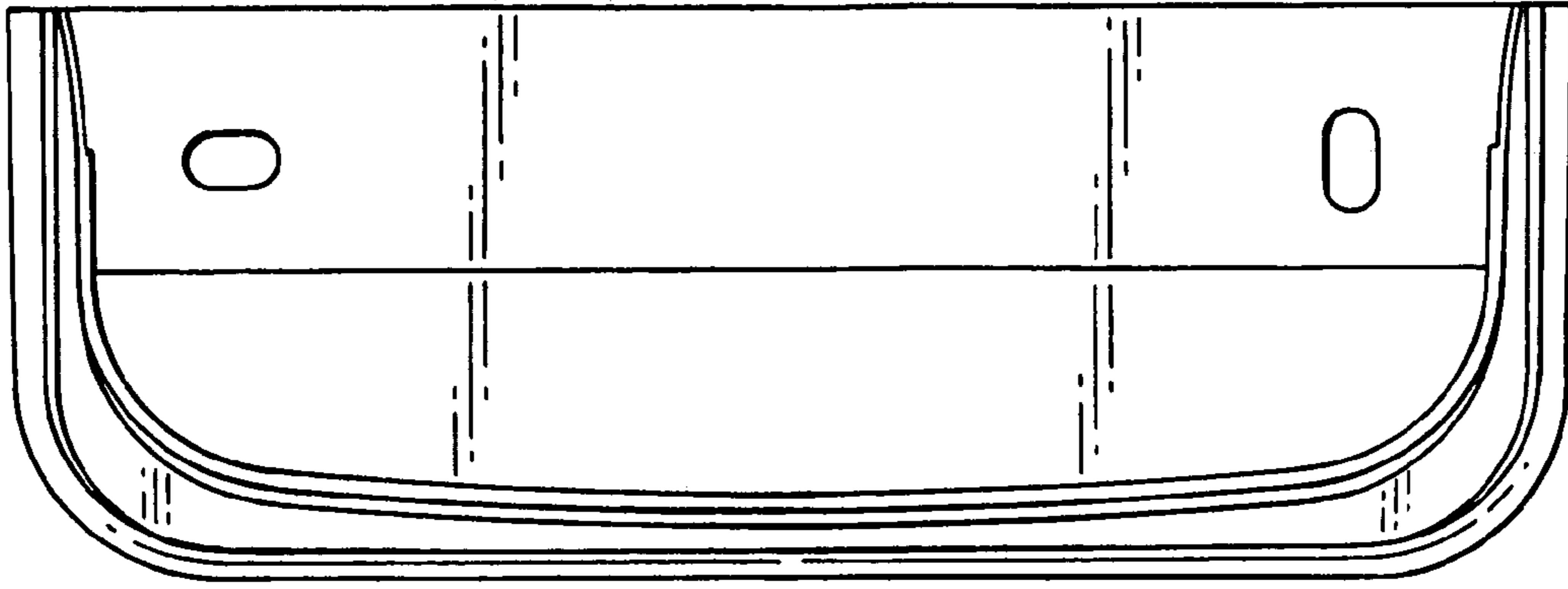


Fig.2.

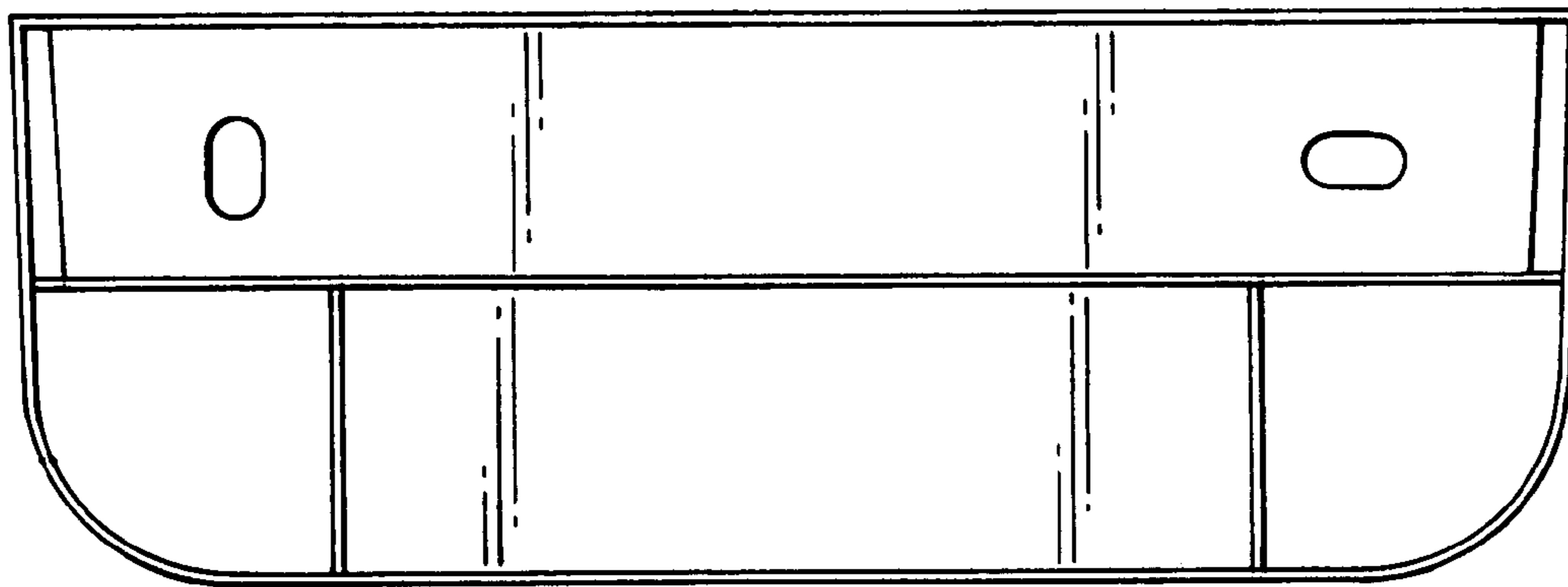


Fig.3.

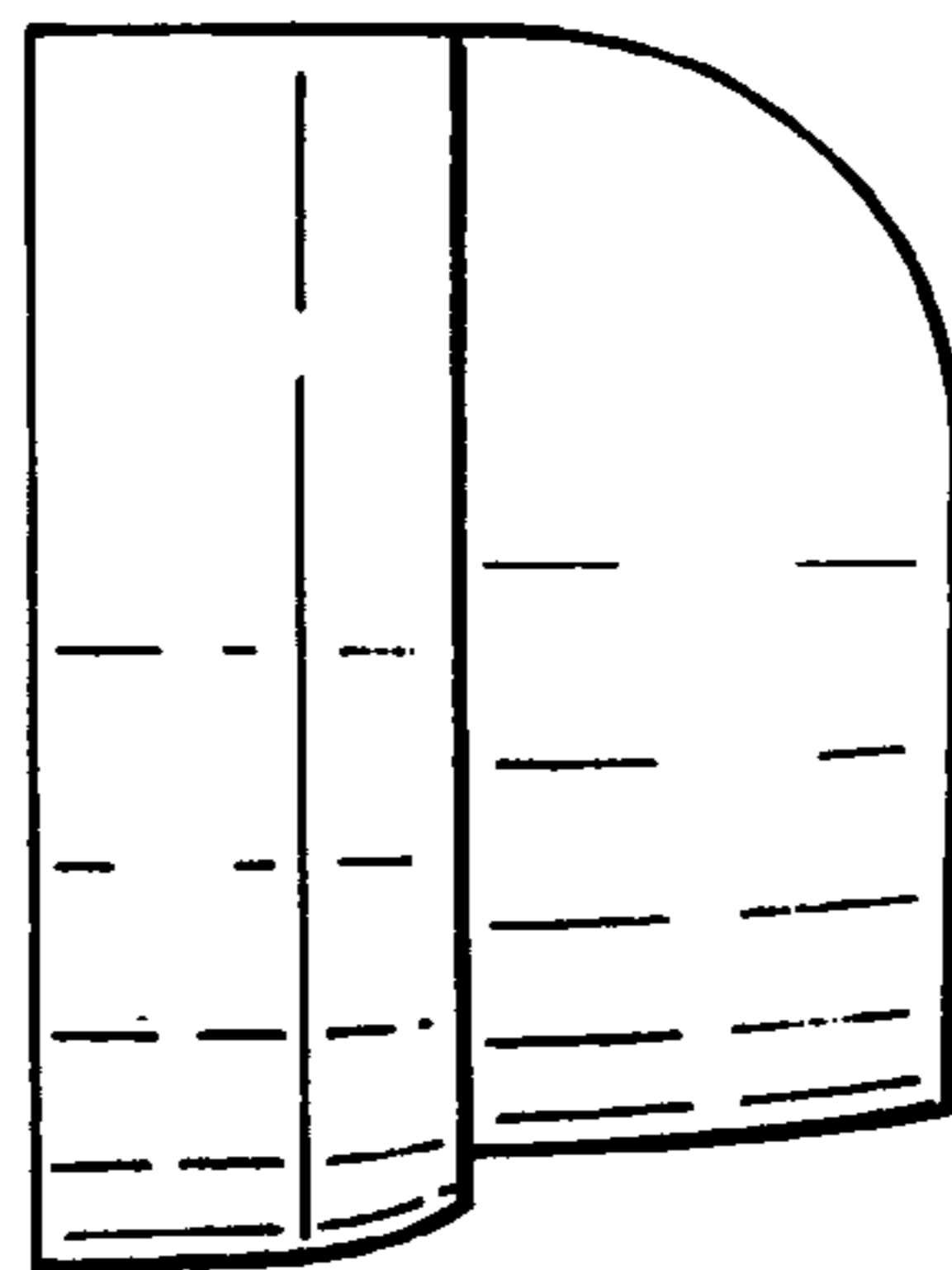


Fig.4.

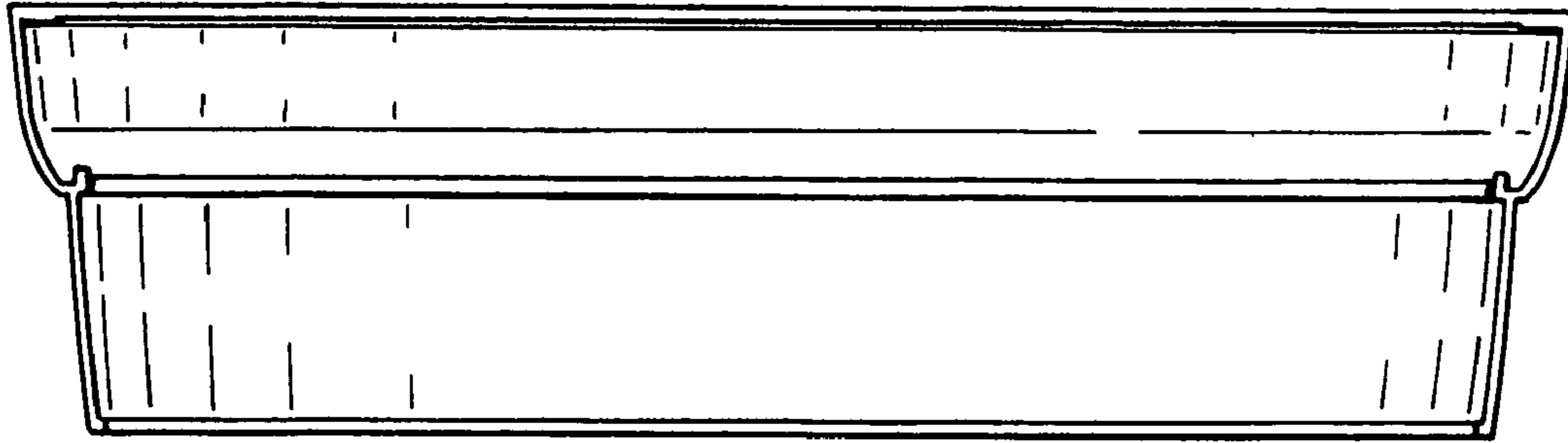


Fig.5.

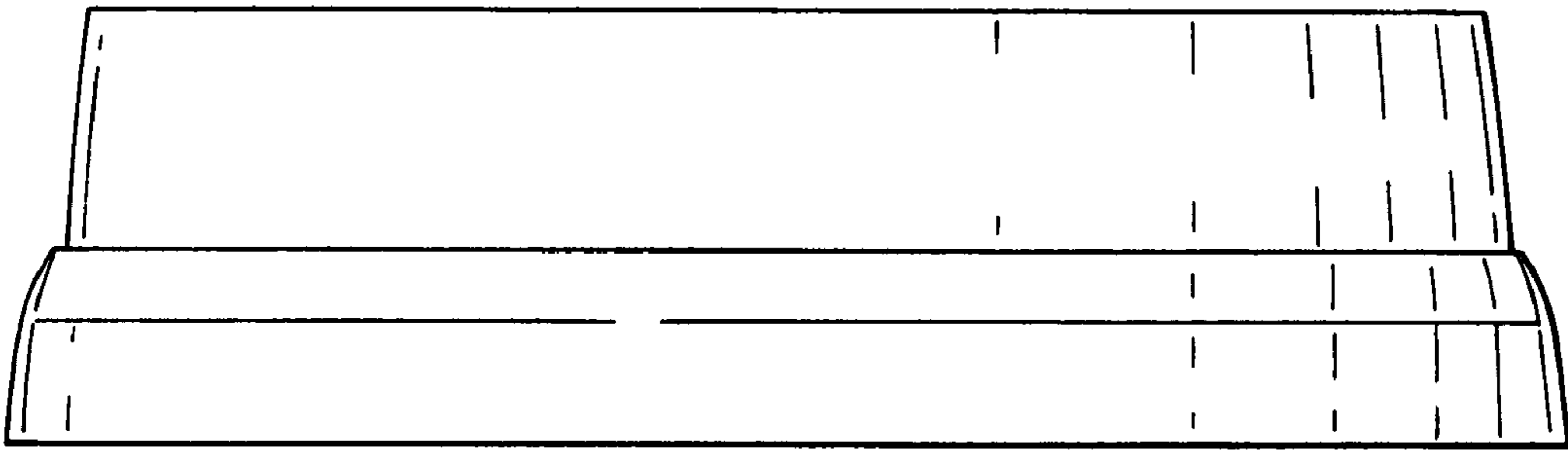


Fig.6.

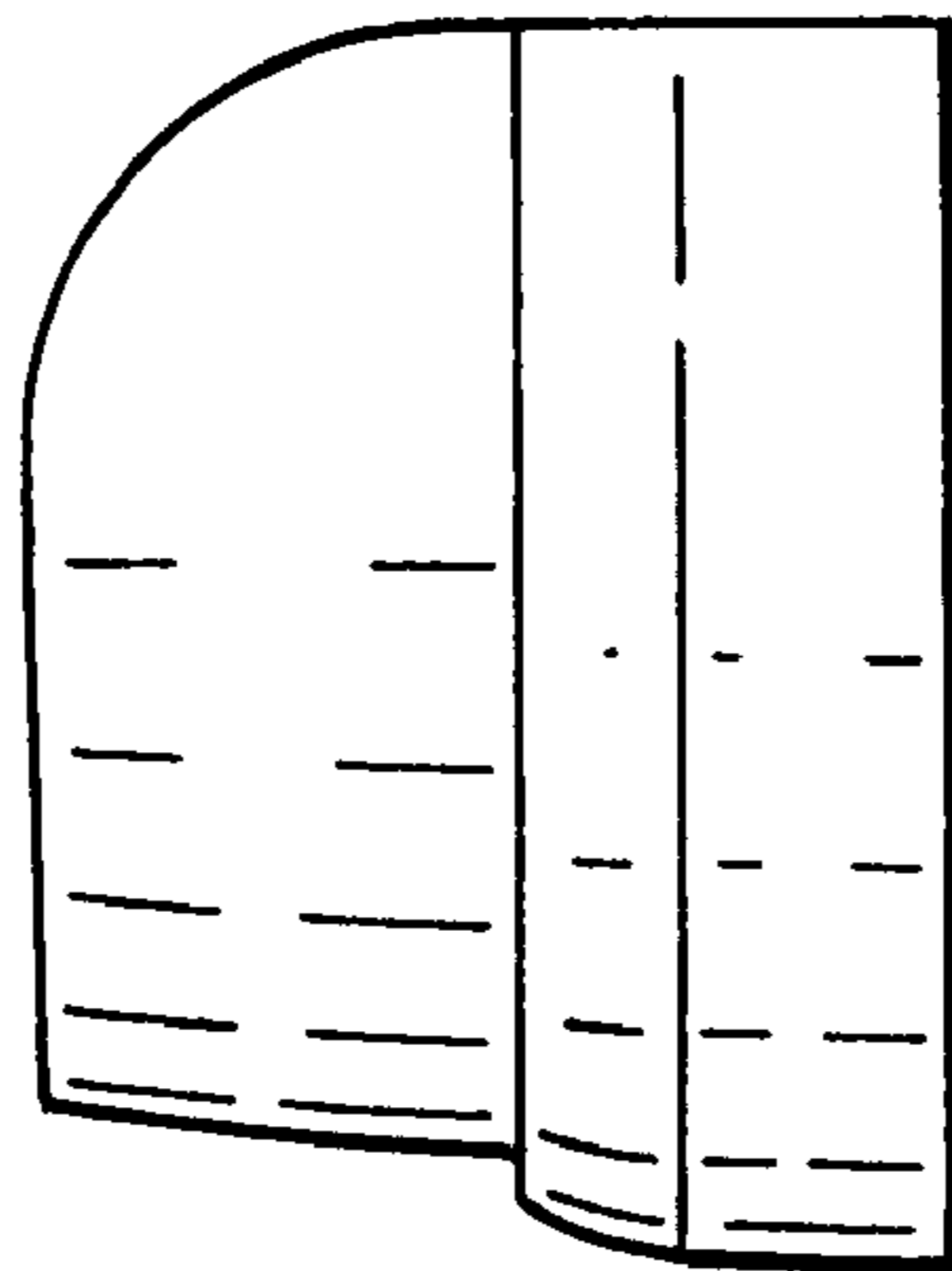


Fig.7.