



US00D559101S

(12) **United States Design Patent**
Polloni et al.

(10) **Patent No.:** **US D559,101 S**
(45) **Date of Patent:** **** Jan. 8, 2008**

(54) **BLANKS FOR CIGARETTE PACKETS**
(75) Inventors: **Roberto Polloni**, Modigliana (IT);
Marco Ghini, Monte San Pietro (IT)
(73) Assignee: **G.D Societa' per Azioni**, Bologna (IT)
(**) Term: **14 Years**
(21) Appl. No.: **29/257,875**
(22) Filed: **Apr. 11, 2006**

(30) **Foreign Application Priority Data**
Oct. 13, 2005 (EM) 000415385
(51) **LOC (8) Cl.** **09-03**
(52) **U.S. Cl.** **D9/433**
(58) **Field of Classification Search** D9/430-433,
D9/414-418, 761; 229/105-106, 108, 108.1,
229/100, 112-113, 115-116, 162.1, 922,
229/938; 206/551, 746, 457, 784, 822
See application file for complete search history.

(56) **References Cited**
U.S. PATENT DOCUMENTS
D263,374 S * 3/1982 Kinsell, Jr. D9/433
4,836,438 A * 6/1989 Rigby 229/117.12
D421,218 S * 2/2000 Roemer et al. D9/433

7,004,897 B2 * 2/2006 Spivey, Sr. 493/59
7,044,294 B2 * 5/2006 Lutzig 206/259
D529,718 S * 10/2006 Rasmussen D3/299
2005/0199688 A1 * 9/2005 Fogle et al. 229/117.13
2007/0017965 A1 * 1/2007 Sutherland 229/227

* cited by examiner

Primary Examiner—Robert A. Delehanty
(74) *Attorney, Agent, or Firm*—Ladas & Parry LLP

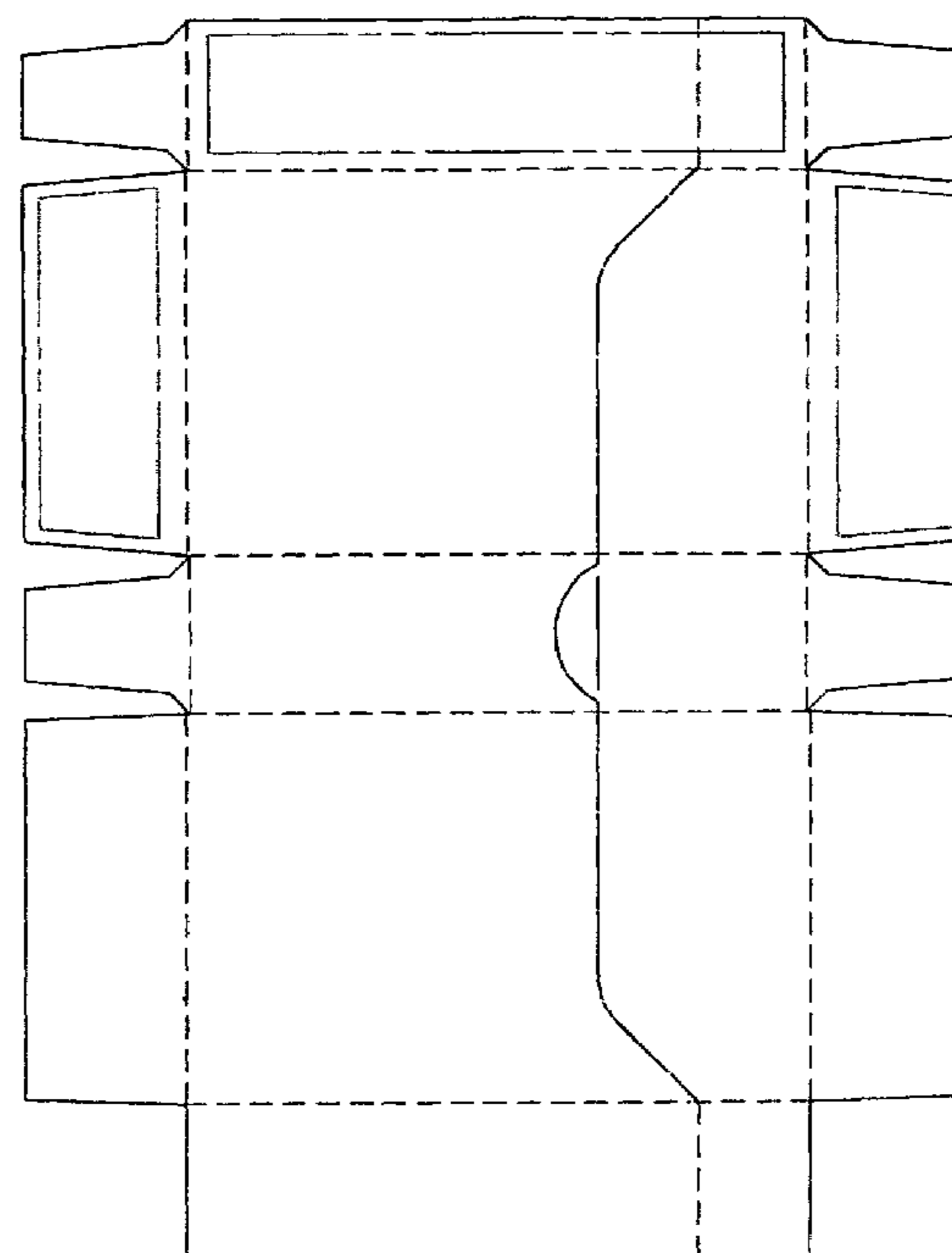
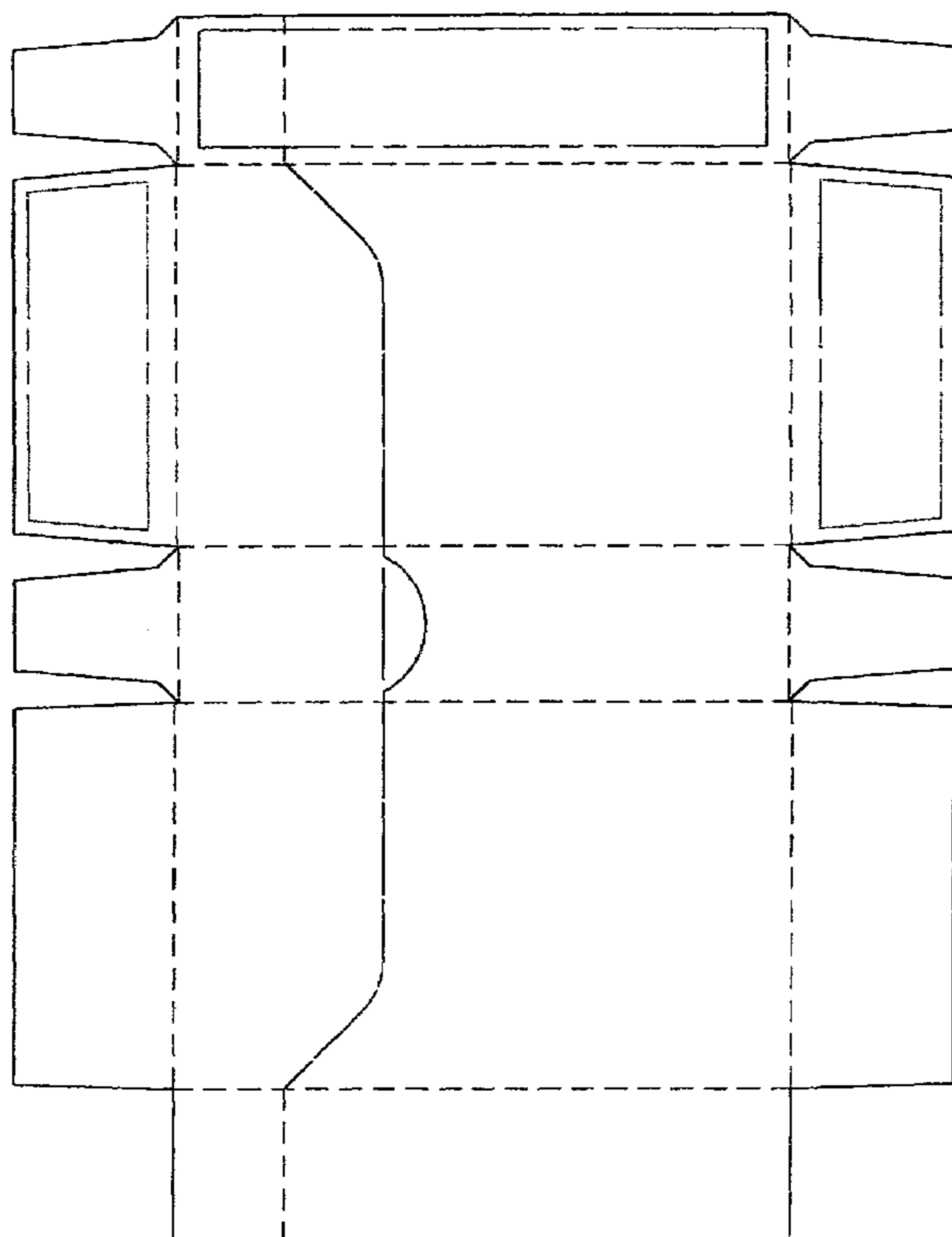
(57) **CLAIM**

We claim the ornamental design for blank for a cigarette packet, as shown and described.

DESCRIPTION

FIG. 1 is a top plan view of a first embodiment of a blank for a cigarette packet showing our new design; and, FIG. 2 is a top plan view of a second embodiment thereof. The bottom plan and edge views of all embodiments are disclaimed and, therefore, not shown. In all of the Figs., the evenly dashed lines are visible depressions that are part of the claimed design. The solid lines generally vertically in the left third of FIG. 1 and the right third of FIG. 2 are pre-cut lines. The three shaded boxes about the top of FIG. 1 are shaded lines that are disclaimed in other embodiments.

1 Claim, 2 Drawing Sheets



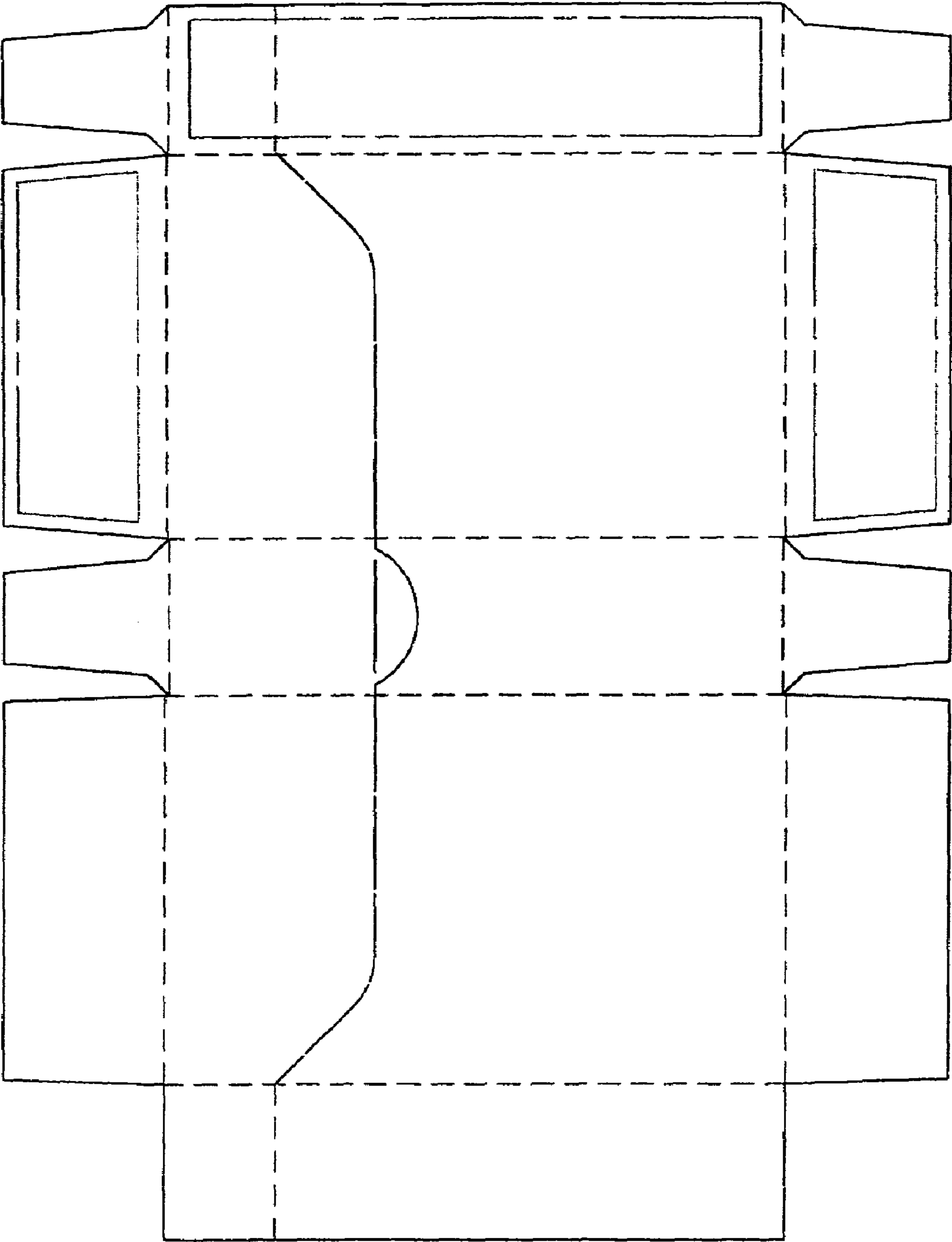


Fig. 1

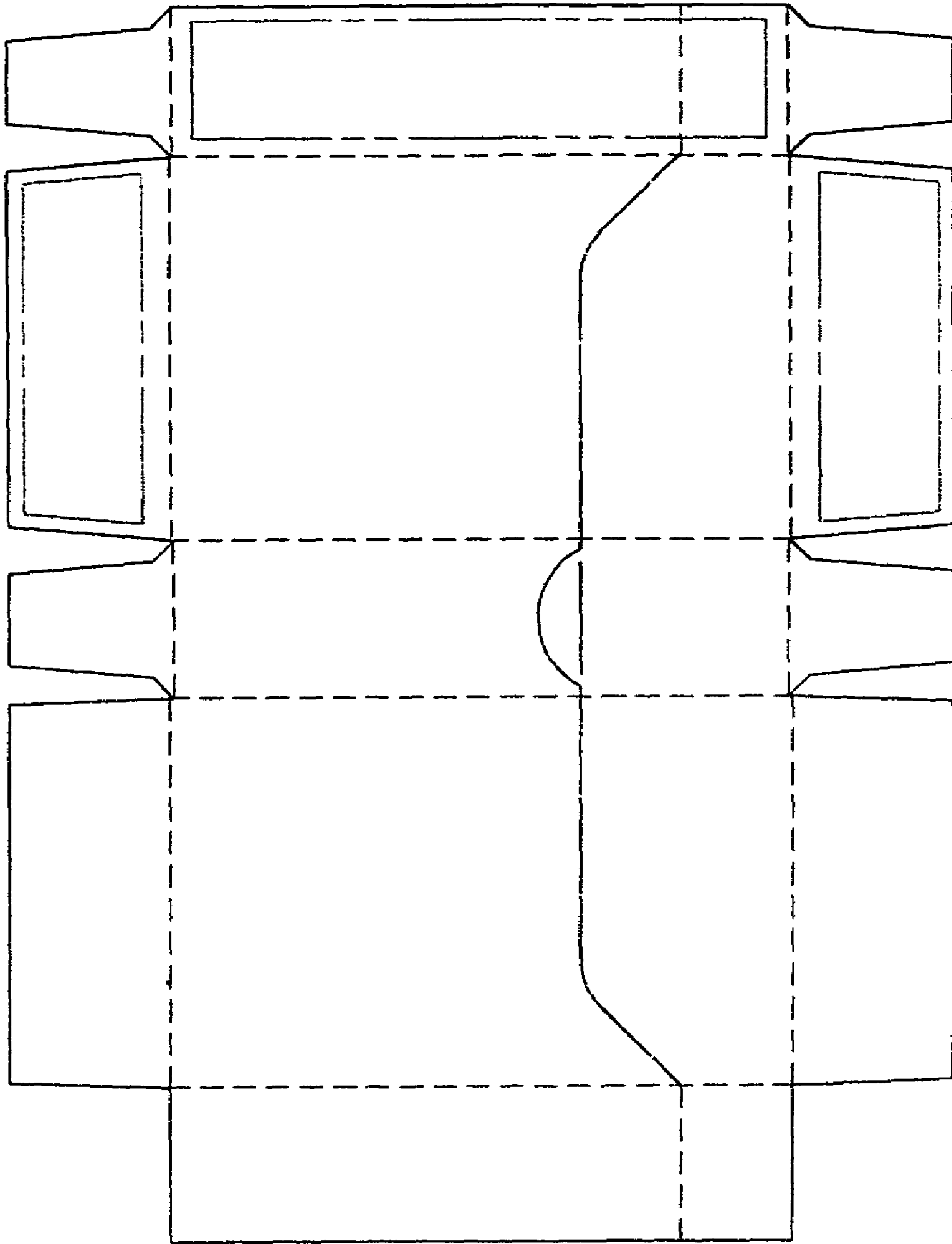


Fig.2