



US00D559098S

(12) **United States Design Patent**
Wilbur

(10) **Patent No.:** **US D559,098 S**

(45) **Date of Patent:** **** Jan. 8, 2008**

(54) **DISPOSABLE DISPENSER**

(76) Inventor: **Todd Wilbur**, 10401 Orkiney Dr., Las Vegas, NV (US) 89144

(**) Term: **14 Years**

(21) Appl. No.: **29/254,296**

(22) Filed: **Feb. 22, 2006**

(51) **LOC (8) Cl.** **09-03**

(52) **U.S. Cl.** **D9/417; D9/431**

(58) **Field of Classification Search** D9/414-433,
D9/457, 701, 341-348, 730-762, 304, 227,
D9/636, 306; 206/461-471, 495, 806; D15/90;
D7/431; D6/515-523

See application file for complete search history.

(56) **References Cited**

U.S. PATENT DOCUMENTS

928,423	A *	7/1909	Belson	229/115
D91,023	S *	11/1933	Ellsworth	D9/431
2,003,600	A *	6/1935	Lowenfels	426/130
2,349,589	A *	5/1944	Harrington	229/115
2,935,192	A *	5/1960	De Million-Czarnecki	206/396
3,469,743	A *	9/1969	Becker	222/105
3,482,760	A *	12/1969	Boehm et al.	229/115
D361,262	S *	8/1995	Lusker	D9/430
D376,501	S *	12/1996	Spaseska	D6/518
D391,117	S *	2/1998	Law et al.	D7/417
D398,429	S *	9/1998	LeBlanc et al.	D34/6
D402,544	S *	12/1998	Jones	D9/705
6,102,568	A *	8/2000	Davis	383/43
D442,083	S *	5/2001	Hoffman et al.	D9/431
D445,434	S *	7/2001	Doornhein	D15/90
D471,762	S *	3/2003	McClaskey et al.	D7/417

D483,261	S *	12/2003	Stanley	D9/415
D494,859	S *	8/2004	Keberlein	D9/416
D529,815	S *	10/2006	Frasier et al.	D9/636

* cited by examiner

Primary Examiner—Stella M. Reid
Assistant Examiner—Susan E Krakower
(74) *Attorney, Agent, or Firm*—Breneman & Georges

(57) **CLAIM**

The ornamental design for a disposable dispenser, as shown.

DESCRIPTION

FIG. 1 is a bottom perspective of a first embodiment of a disposable dispenser showing my new invention;

FIG. 2 is a front elevational view of FIG. 1;

FIG. 3 is a right elevational view of FIG. 1;

FIG. 4 is a top plan view of FIG. 1;

FIG. 5 is a bottom plan view of FIG. 1;

FIG. 6 is a bottom perspective view of a second embodiment thereof;

FIG. 7 is a front elevational view of FIG. 6;

FIG. 8 is a right elevational view of FIG. 6;

FIG. 9 is a top plan view of FIG. 6; and,

FIG. 10 is a bottom plan view of FIG. 6.

The broken line showing of dispensing openings in FIGS. 1, 5, 6 and 10 are included for the purpose of illustrating portions of the dispenser and forms no part of the claimed design.

1 Claim, 2 Drawing Sheets

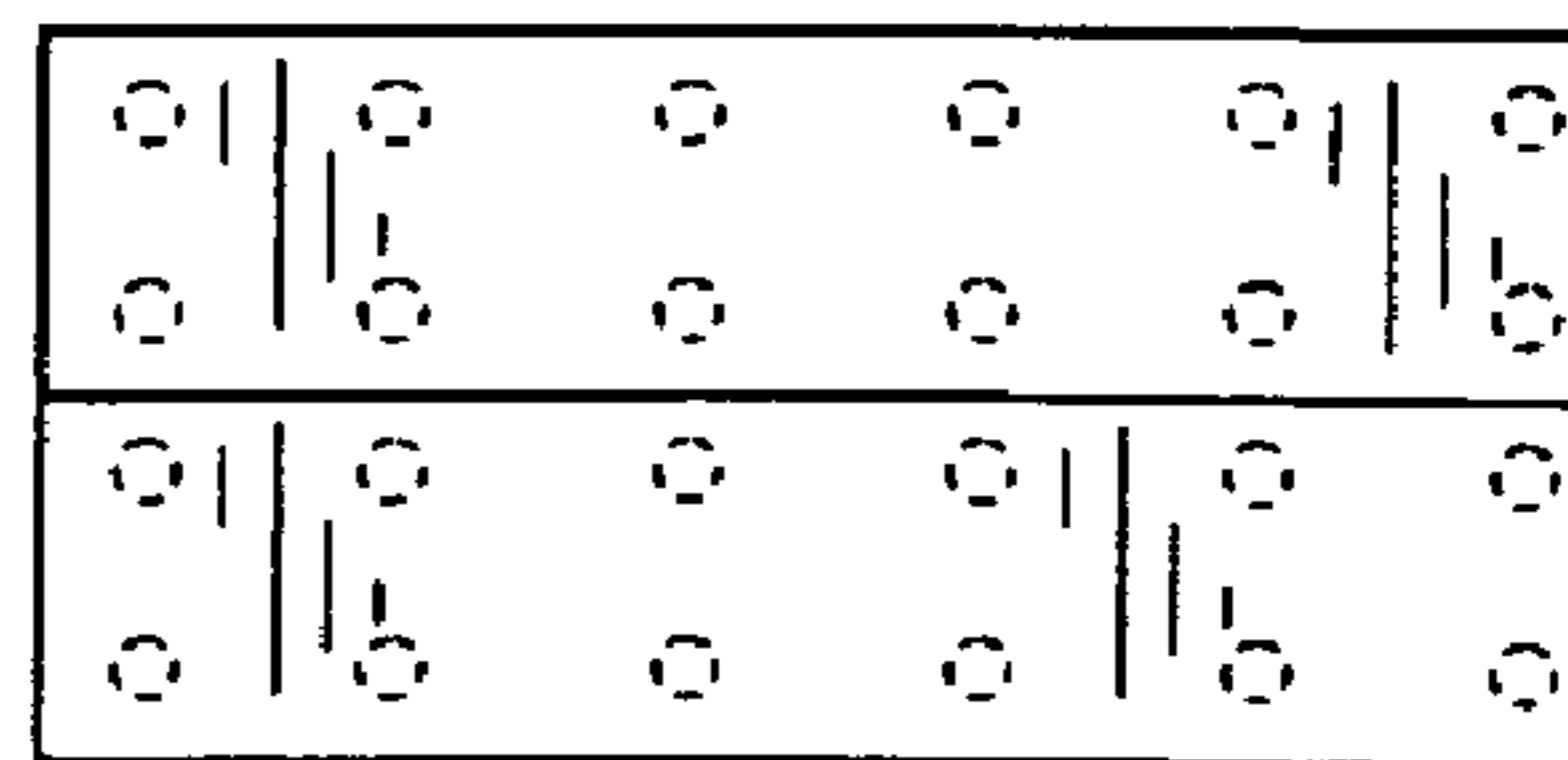
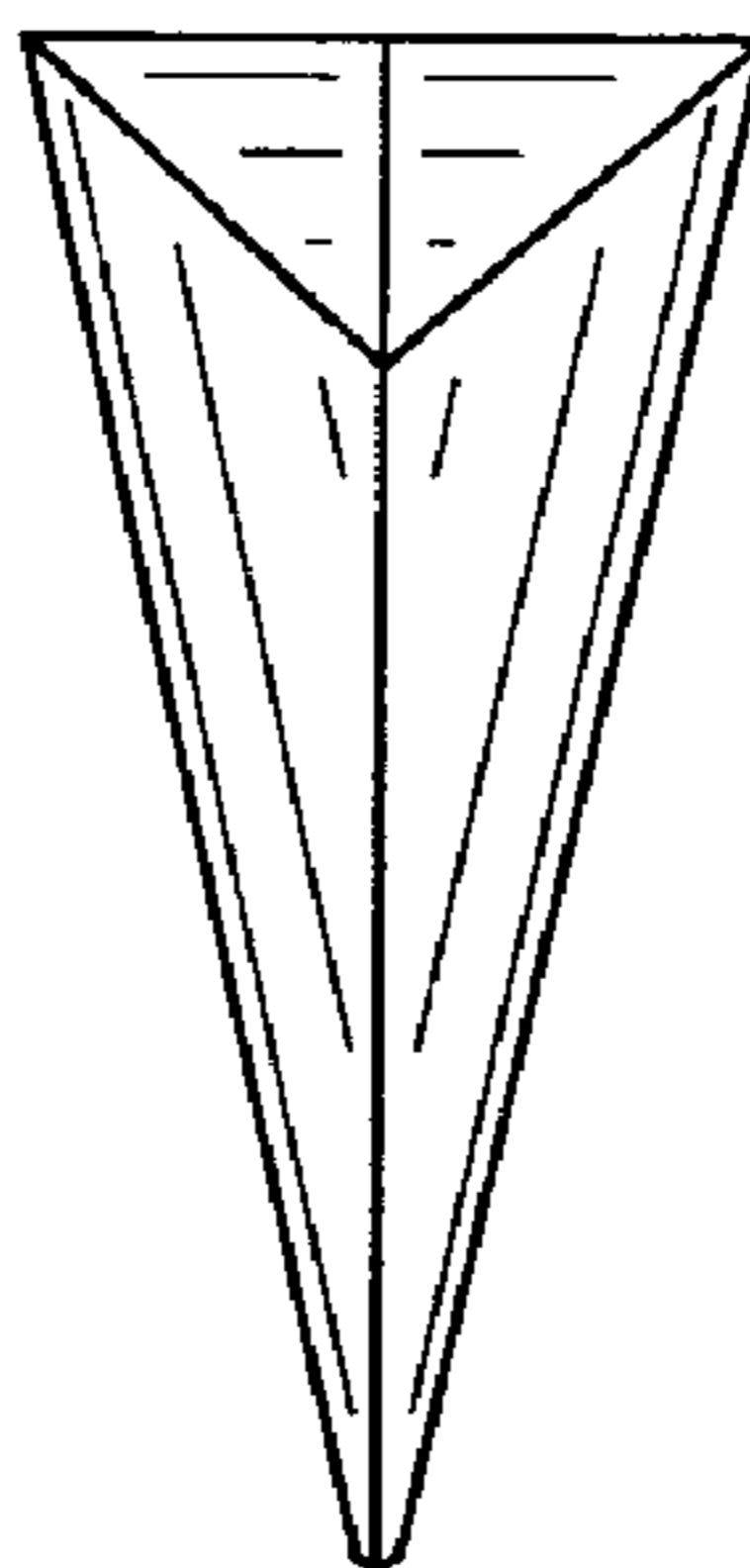
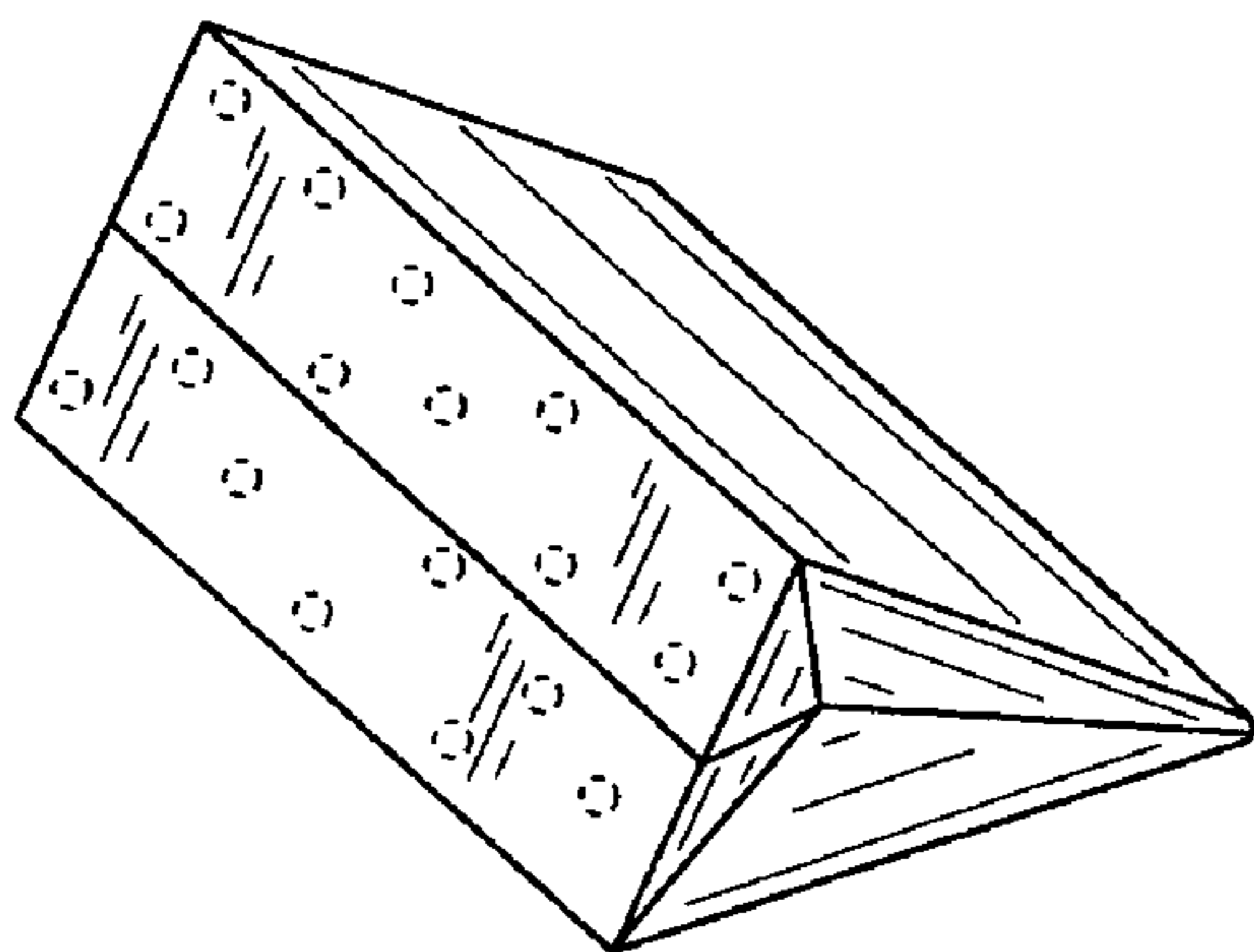


FIG. 1

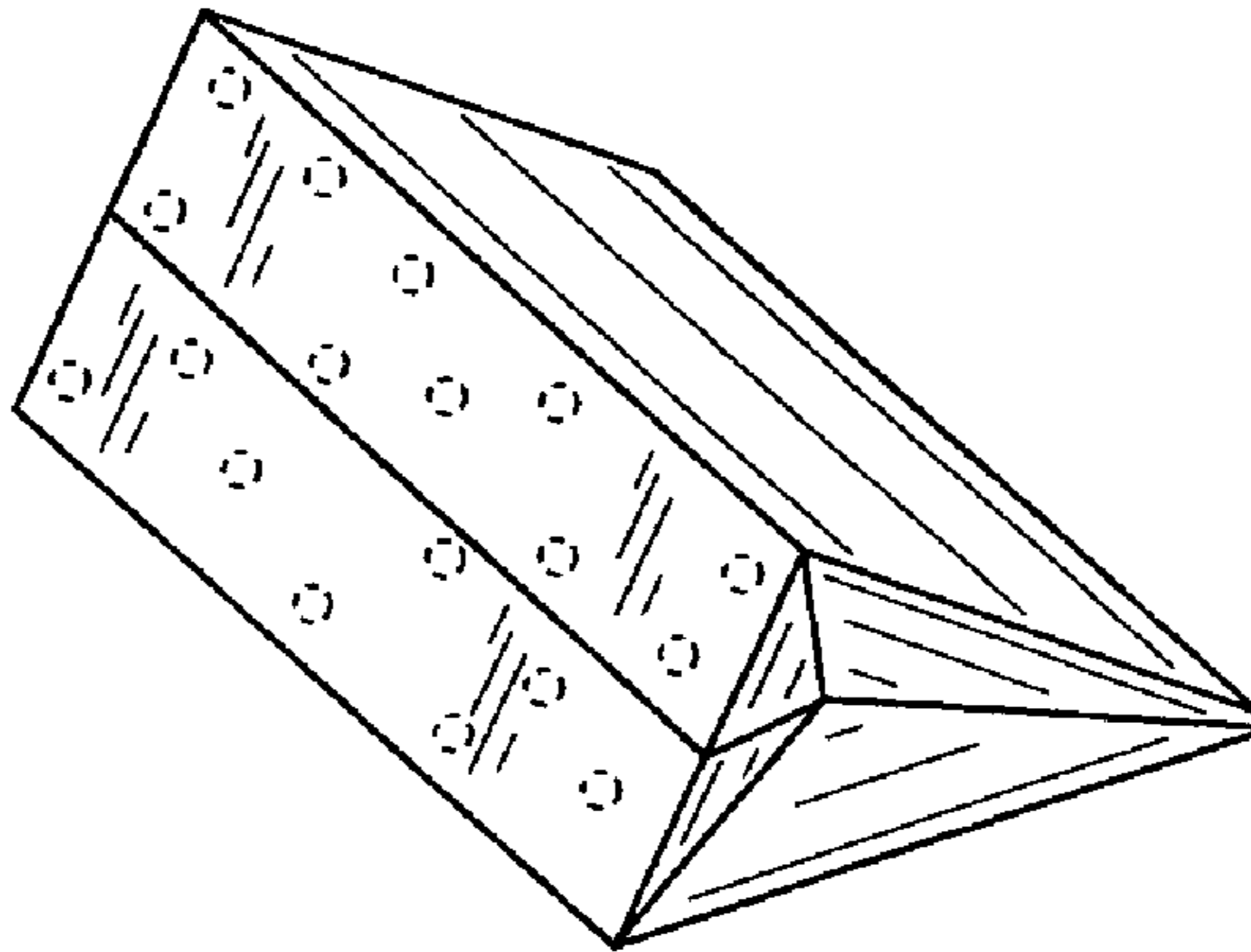


FIG. 2

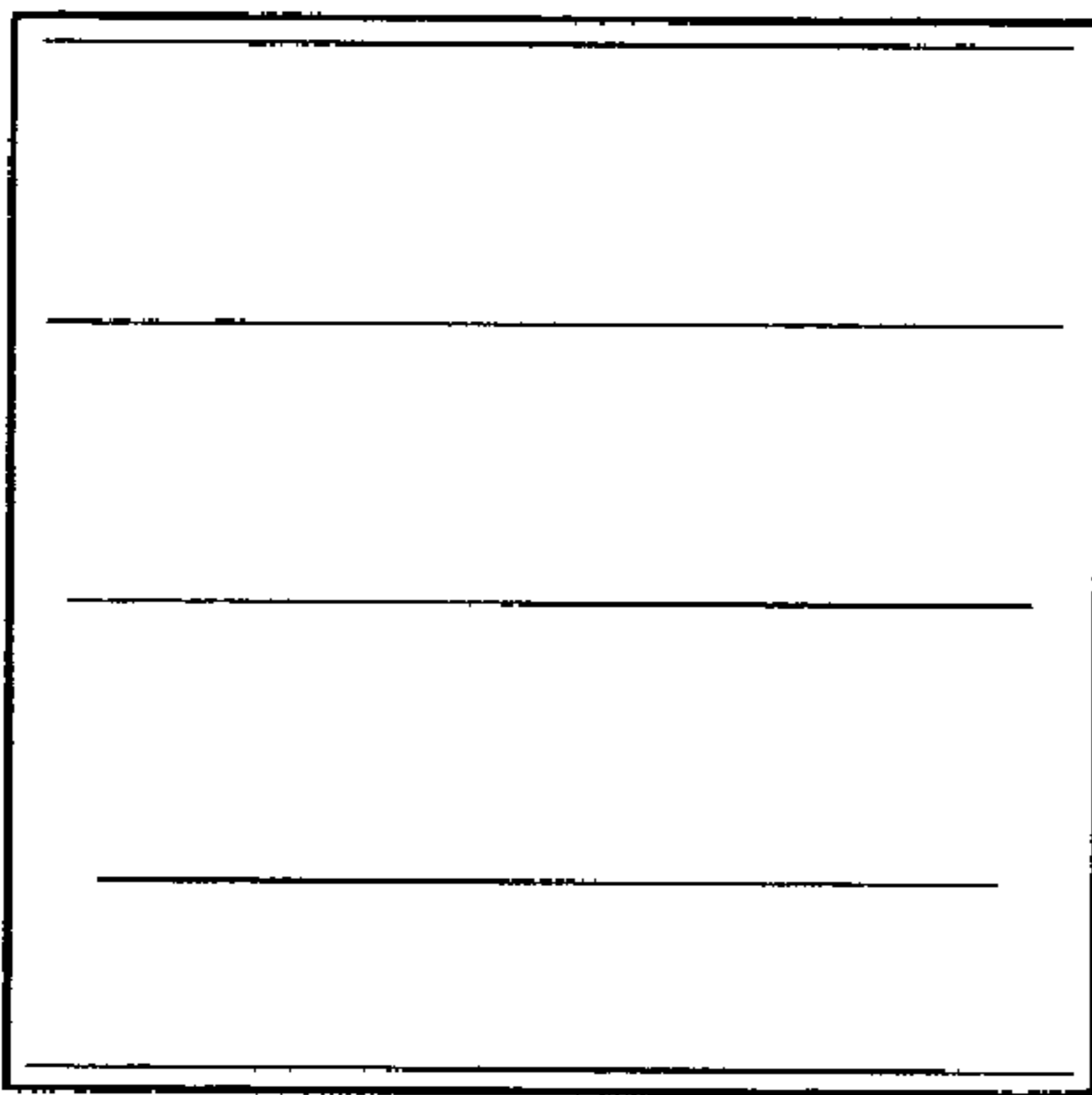


FIG. 3

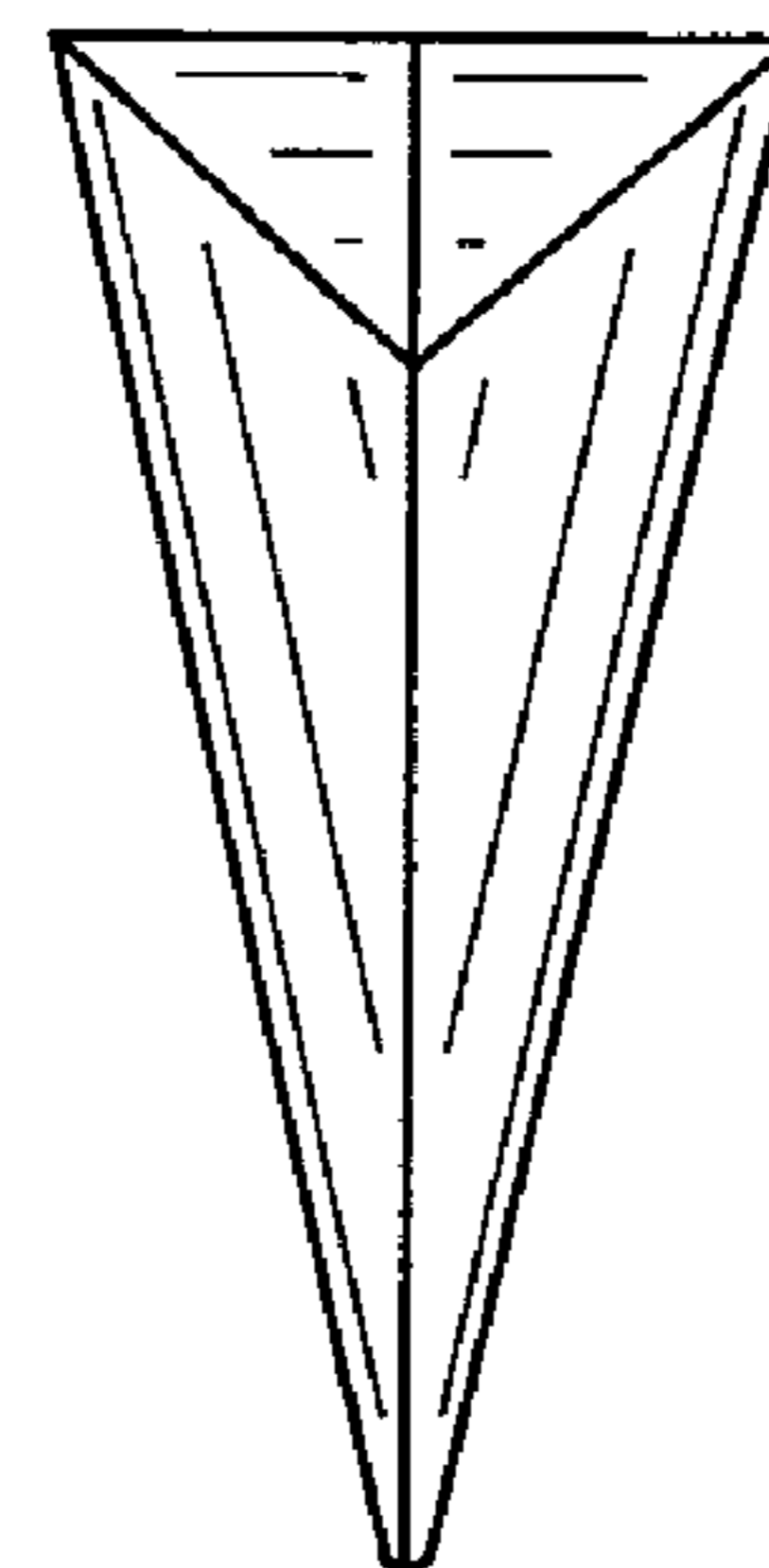


FIG. 4

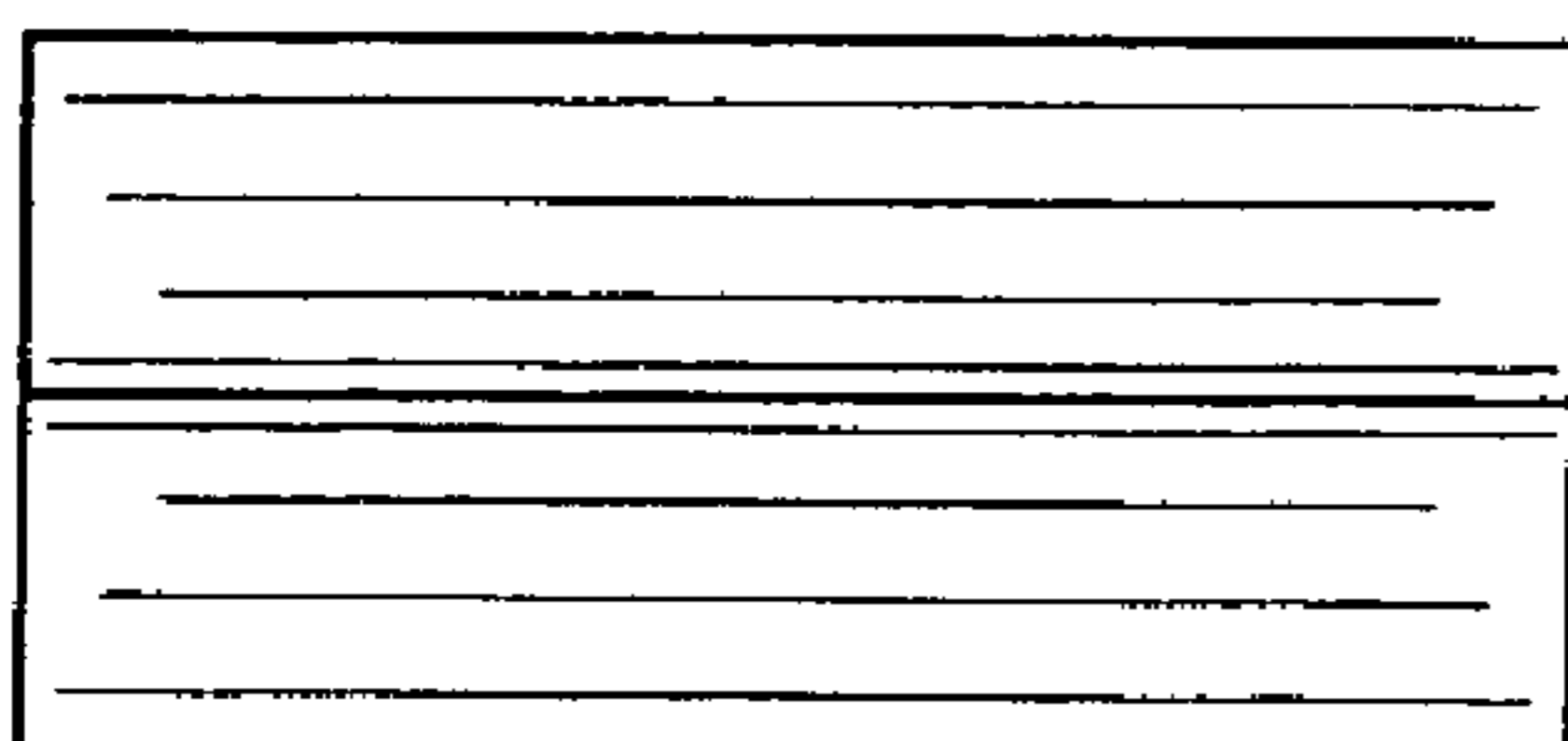


FIG. 5

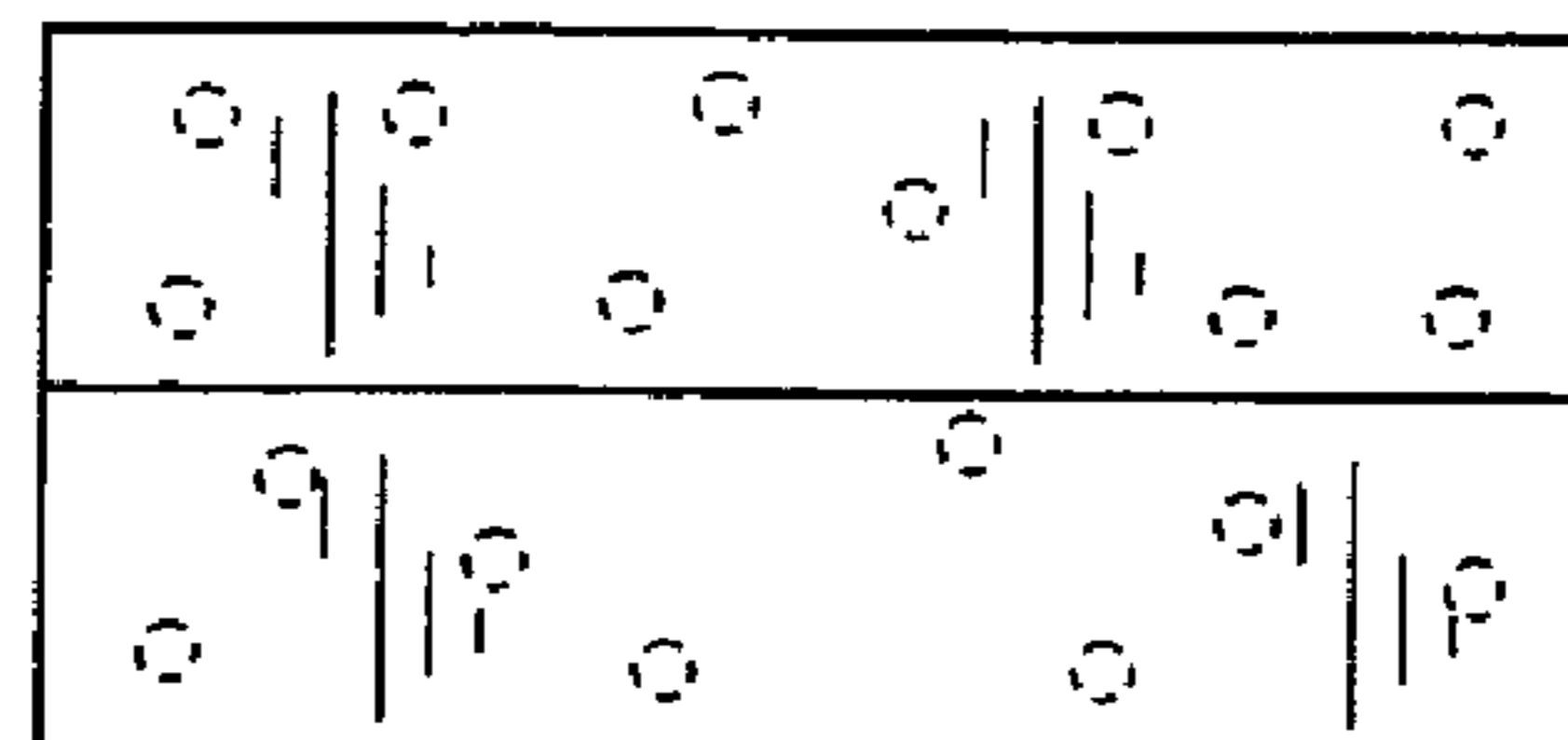


FIG.6

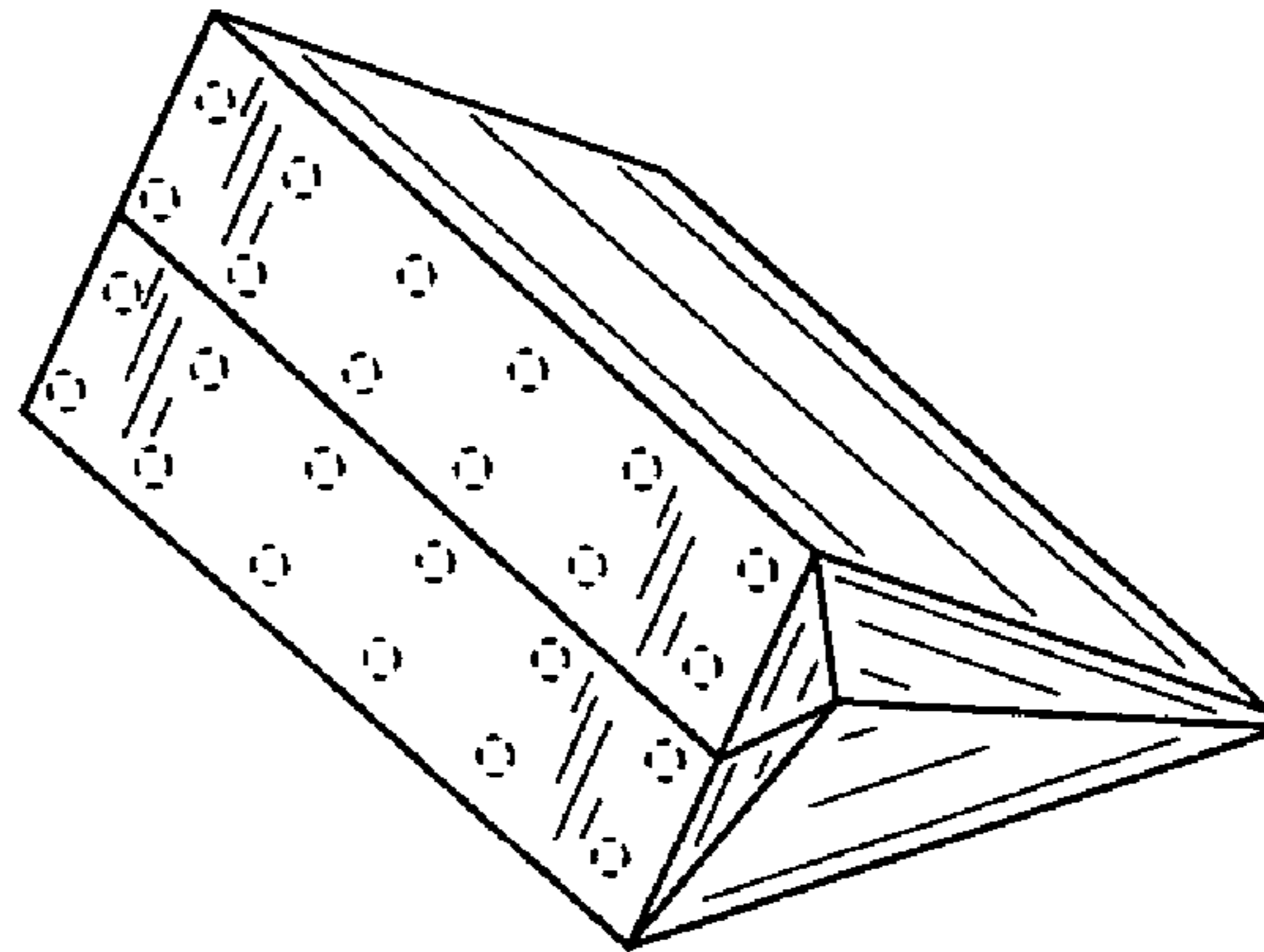


FIG.7

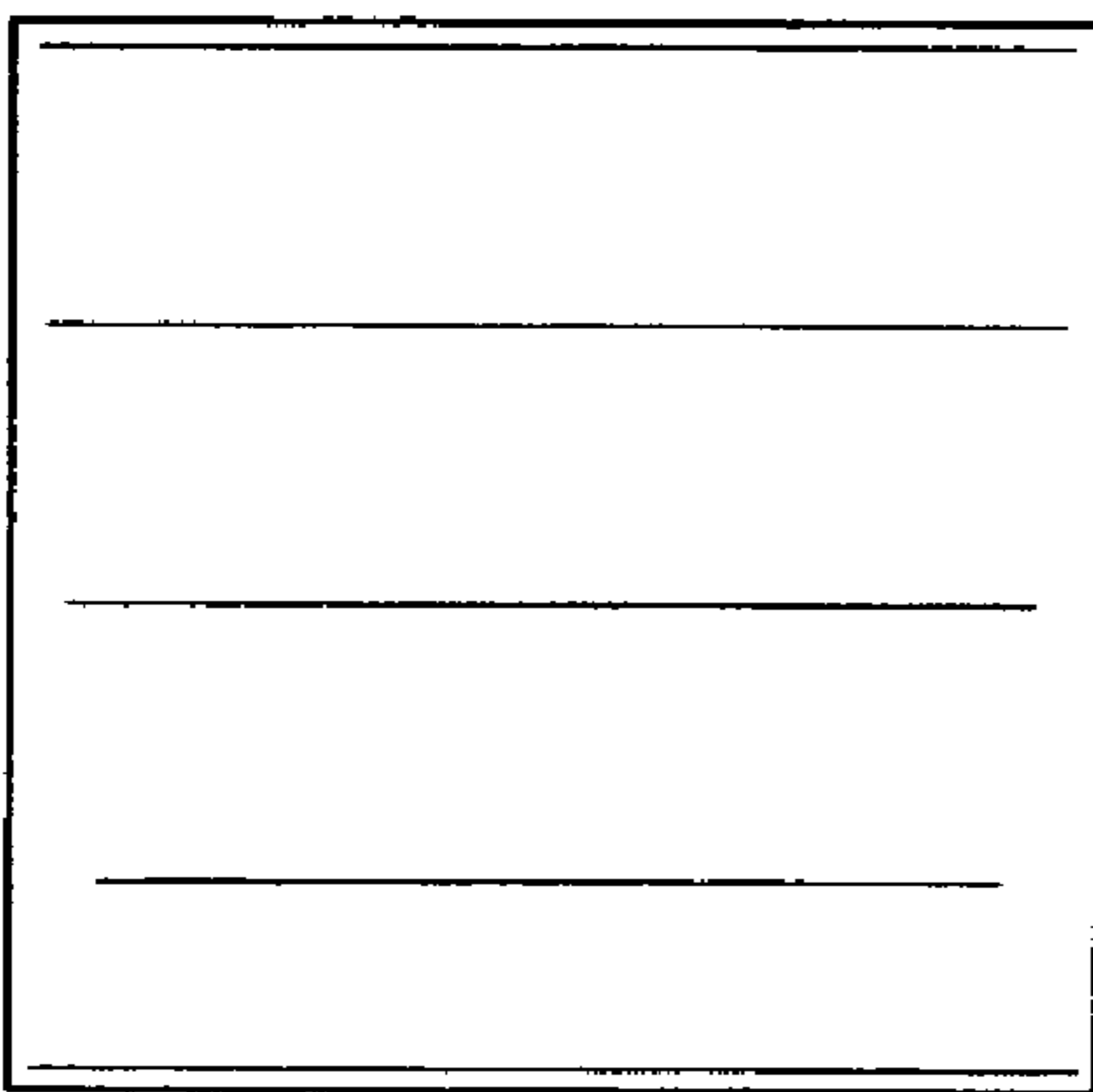


FIG.8

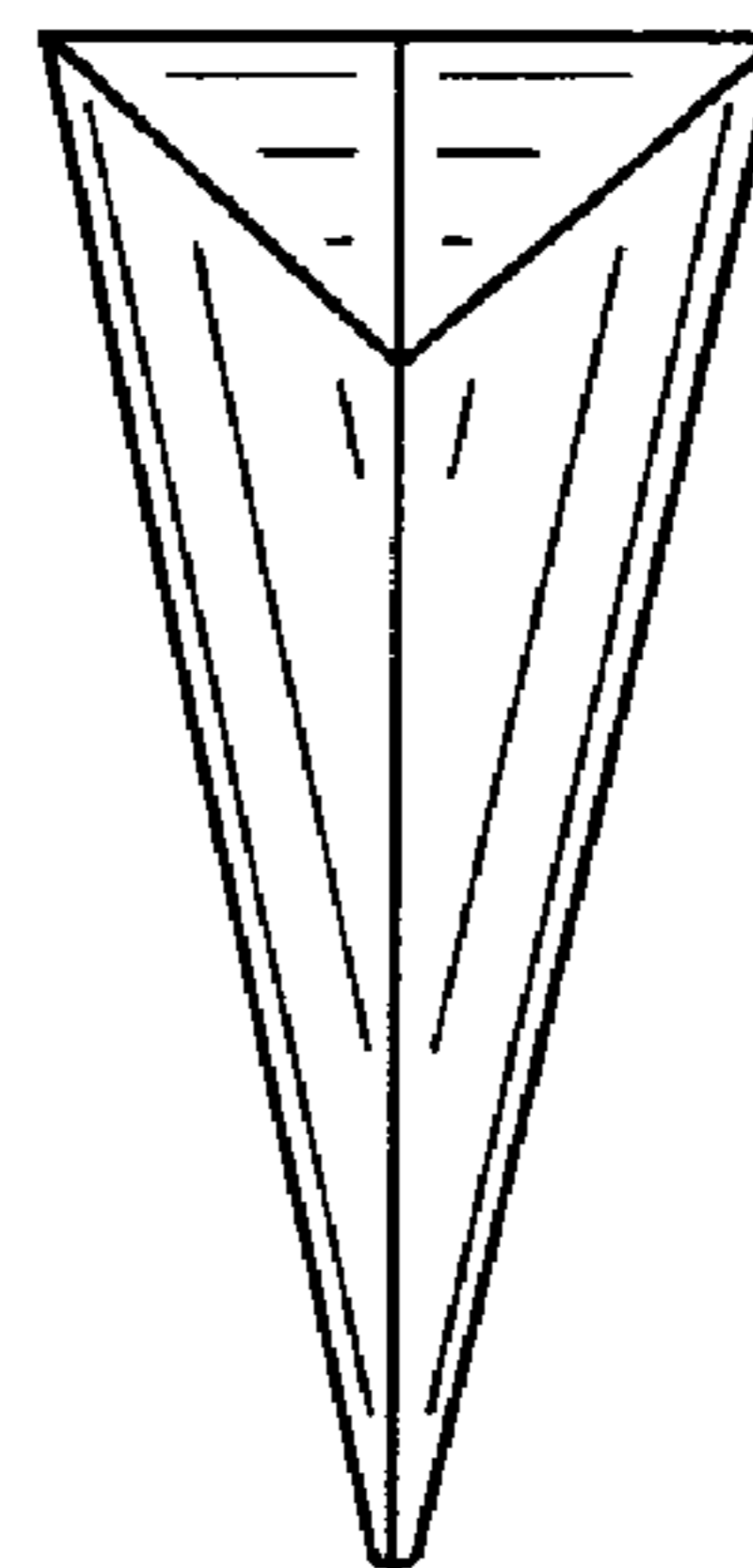


FIG.9

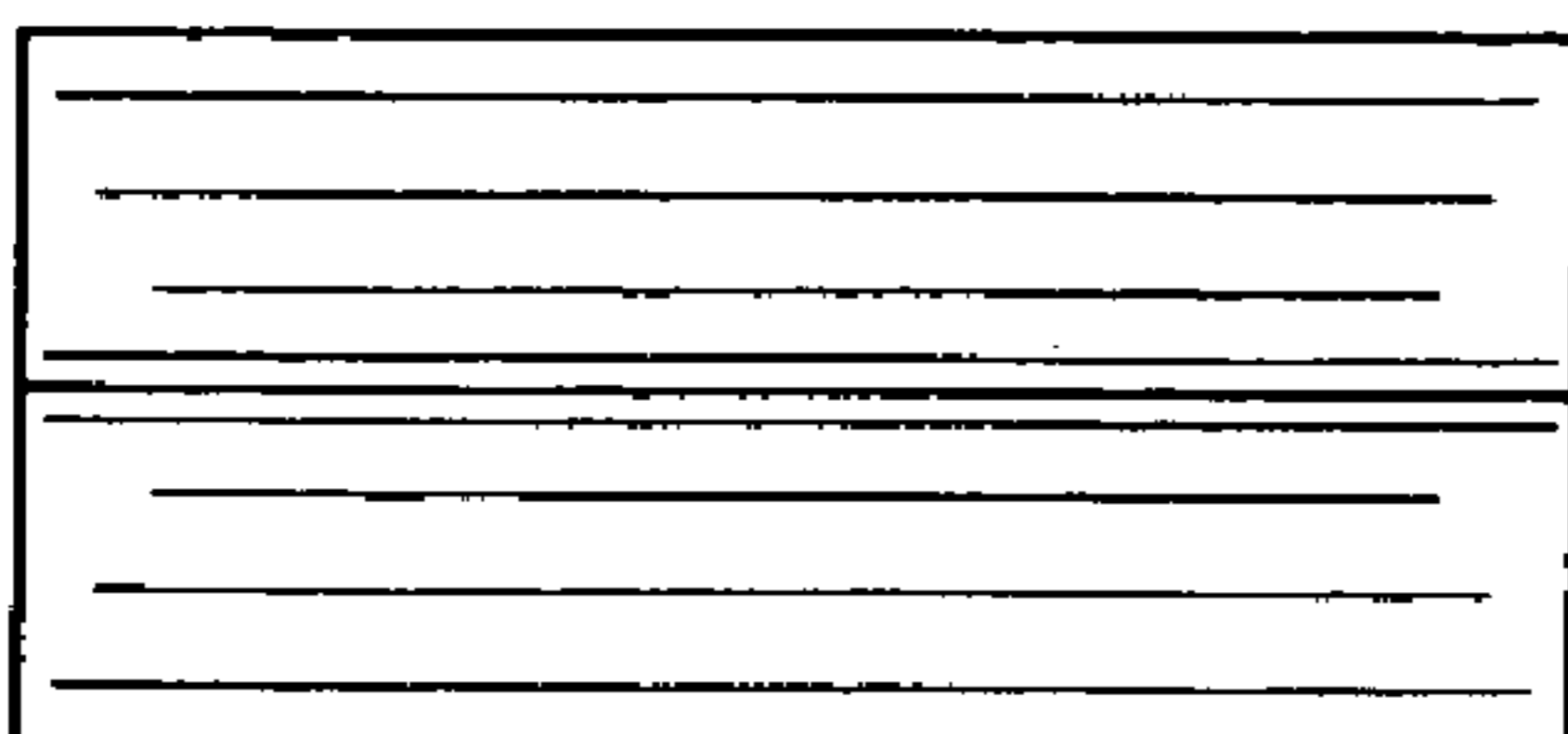


FIG.10

