



US00D559097S

(12) **United States Design Patent** (10) **Patent No.:** **US D559,097 S**
Hori (45) **Date of Patent:** **** Jan. 8, 2008**

(54) **WINDOW STAY**

(75) Inventor: **Takashi Hori**, Tokyo (JP)

(73) Assignee: **YKK AP Inc.**, Tokyo (JP)

(**) Term: **14 Years**

(21) Appl. No.: **29/263,302**

(22) Filed: **Jul. 20, 2006**

(30) **Foreign Application Priority Data**

Jan. 27, 2006 (JP) 2006-001783

(51) **LOC (8) Cl.** **08-05**

(52) **U.S. Cl.** **D8/400**

(58) **Field of Classification Search** D8/354,
D8/355, 373, 377, 380, 381, 400, 402, 499;
16/362-371, 341-342, DIG. 16, 82, 86 C;
49/345, 248-252, 246; 292/263

See application file for complete search history.

(56) **References Cited**

U.S. PATENT DOCUMENTS

3,345,777	A *	10/1967	Anderberg et al.	49/248
4,364,201	A *	12/1982	Taylor	49/248
4,622,715	A *	11/1986	Buckley	16/370
4,689,852	A *	9/1987	Buckley	16/341
4,718,144	A *	1/1988	Buckley	16/341
4,833,754	A *	5/1989	Yang	16/339
5,255,471	A *	10/1993	Shaw et al.	49/252
5,711,052	A *	1/1998	Delaske	16/364
6,434,887	B2 *	8/2002	Nakanishi et al.	49/246
6,442,898	B1 *	9/2002	Wu	49/246

(Continued)

FOREIGN PATENT DOCUMENTS

JP 565294 2/1981

OTHER PUBLICATIONS

21st Century 2003 Doors & Windows Hardware Collection, 2003, No.: 6, 2 pages.

Arab Asian Trade Magazine (AAT), Issue No. 285, Sep. 2003, 2 pages.

Primary Examiner—Cathron C Brooks

Assistant Examiner—Barbara Fox

(74) *Attorney, Agent, or Firm*—Everest Intellectual Property Law Group; Michael S. Leonard

(57) **CLAIM**

I claim the ornamental design for a window stay, as shown and described.

DESCRIPTION

FIG. 1 is a perspective view of a window stay of the claimed design.

FIG. 2 is a front view of the window stay.

FIG. 3 is a rear view of the window stay.

FIG. 4 is a top view of the window stay.

FIG. 5 is a bottom view of the window stay.

FIG. 6 is a left side view of the window stay.

FIG. 7 is a right side view of the window stay.

FIG. 8 is a front view of the window stay in the closed position.

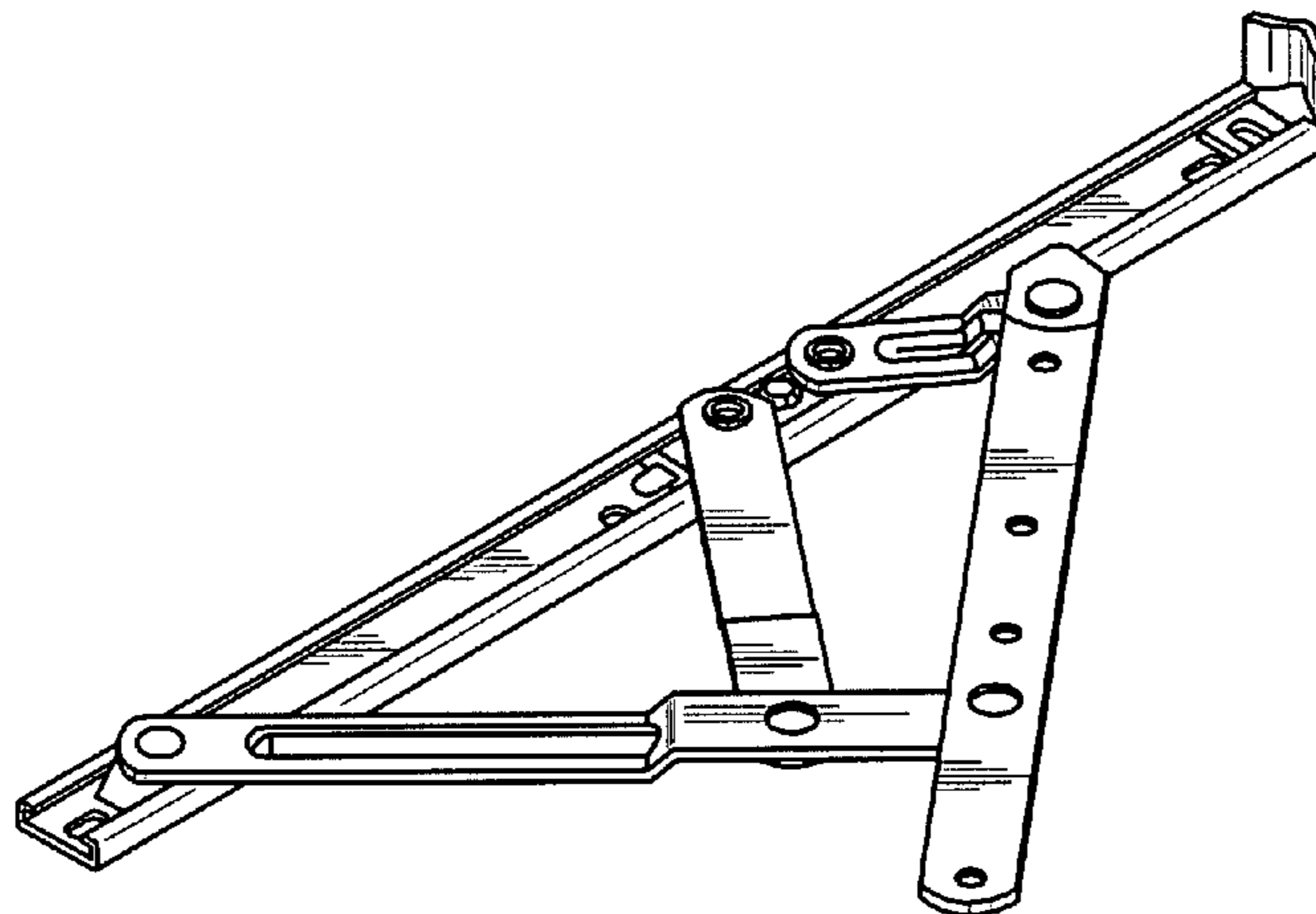
FIG. 9 is a rear view of the window stay in the closed position.

FIG. 10 is a top view of the window stay in the closed position, the bottom view of the window stay in the closed position being a mirror image of FIG. 10.

FIG. 11 is a left side view of the window stay in the closed position; and,

FIG. 12 is a right side view of the window stay in the closed position.

1 Claim, 4 Drawing Sheets



US D559,097 S

Page 2

U.S. PATENT DOCUMENTS								
				2003/0046795	A1*	3/2003	Muir	16/366
				2003/0150084	A1*	8/2003	Muir	16/366
				2005/0011049	A1*	1/2005	Muir	16/366
				2006/0265957	A1*	11/2006	Muir	49/345
				* cited by examiner				
7,024,728	B2*	4/2006	Muir					16/366
7,047,600	B2*	5/2006	Muir					16/366
2001/0013202	A1*	8/2001	Nakanishi et al.					49/250
2003/0046794	A1*	3/2003	Muir					16/366

FIG. 1

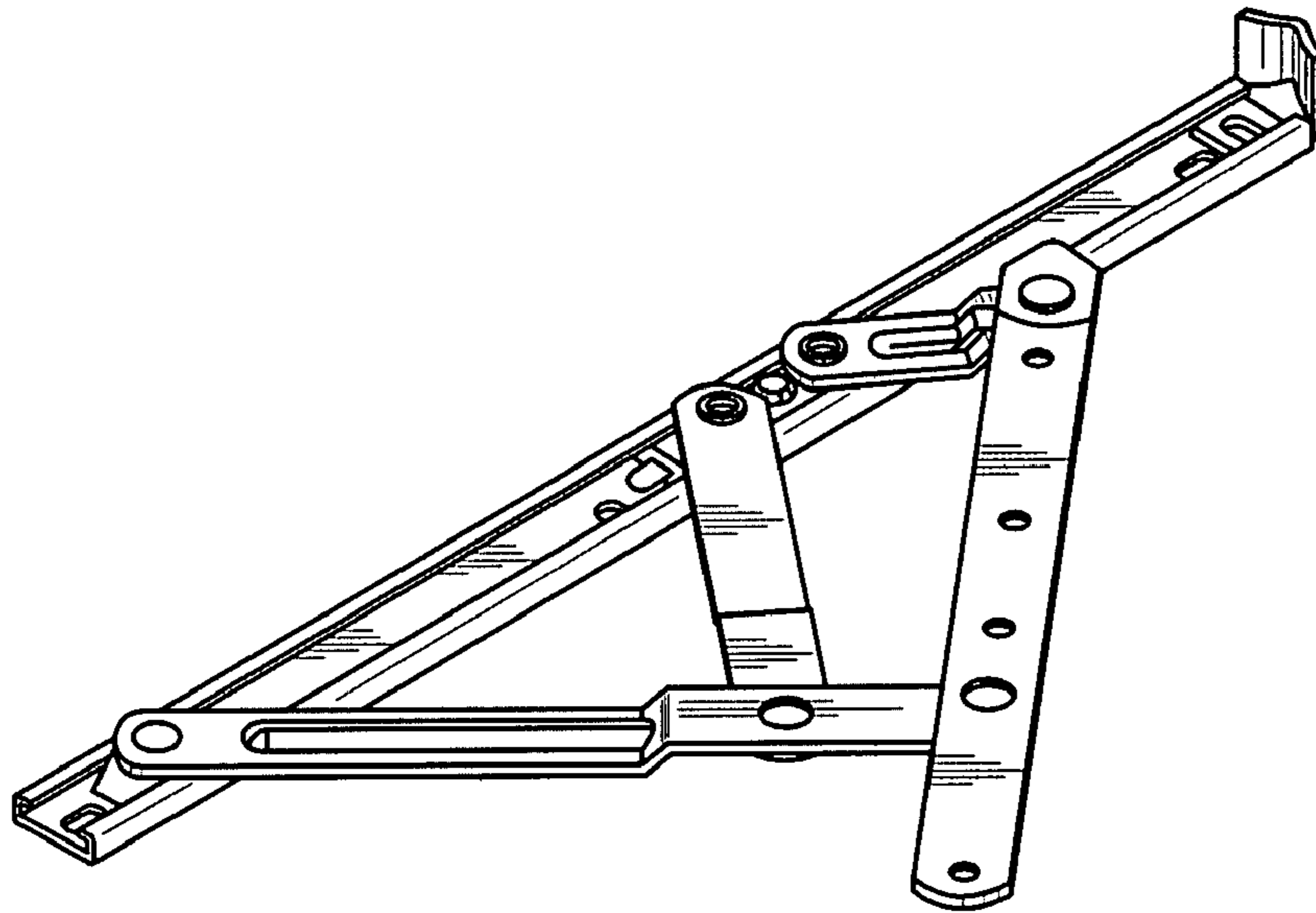


FIG. 2

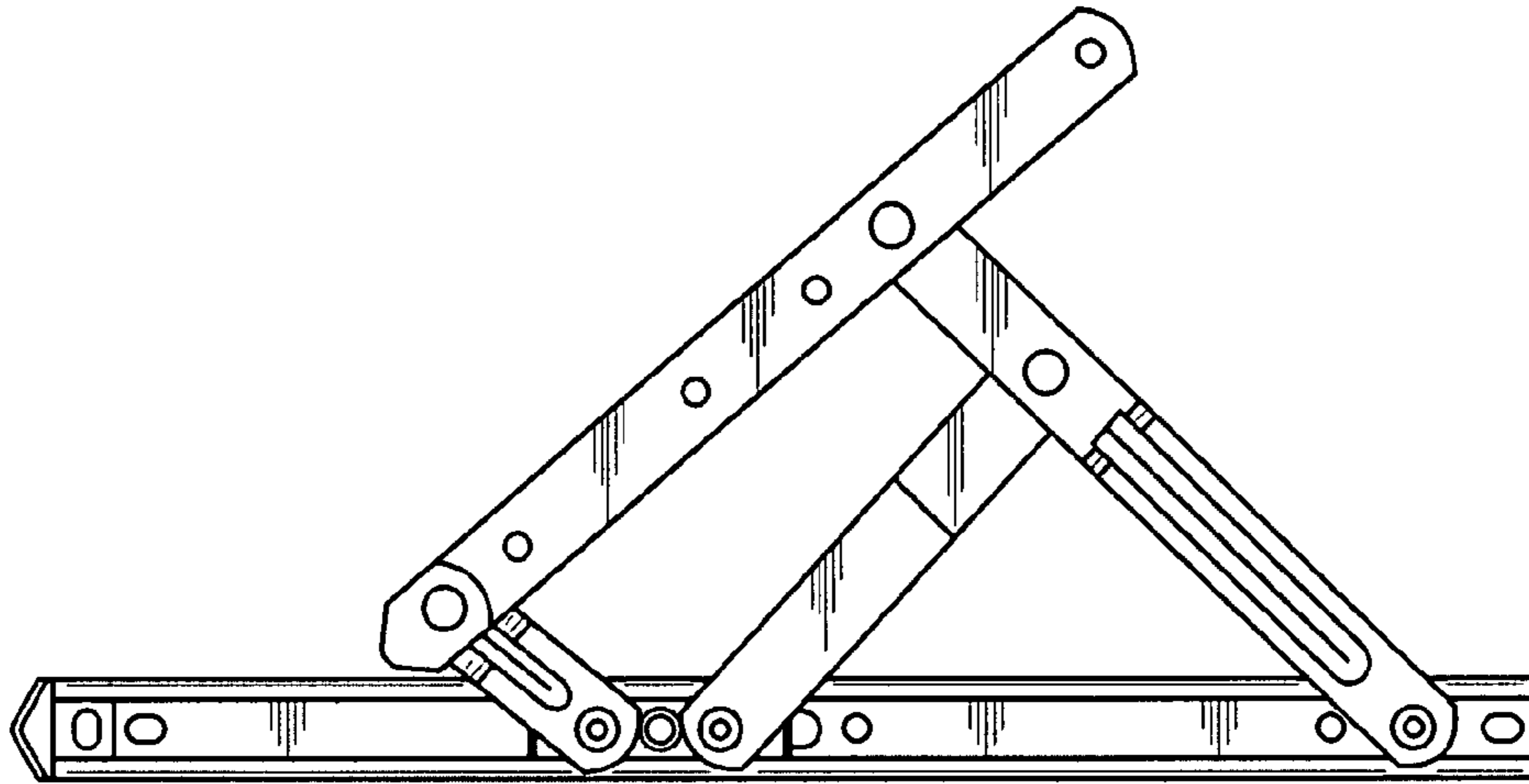


FIG. 3

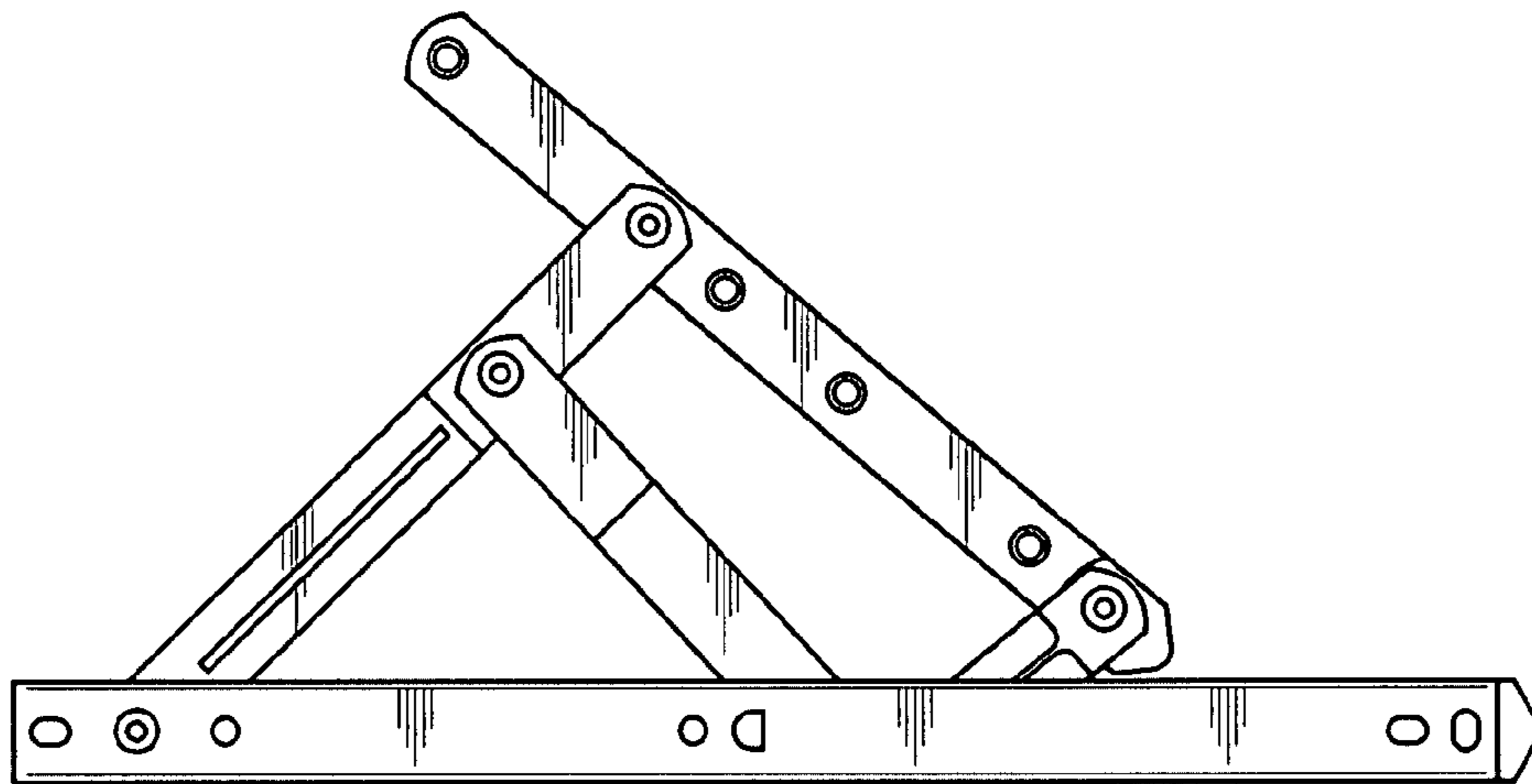


FIG. 4

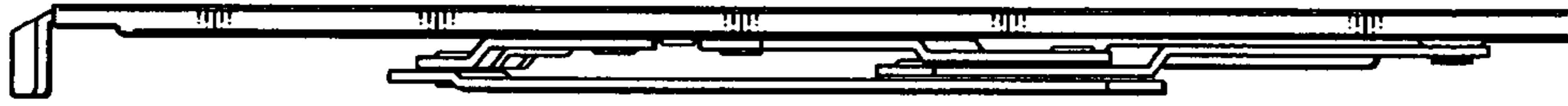


FIG. 5

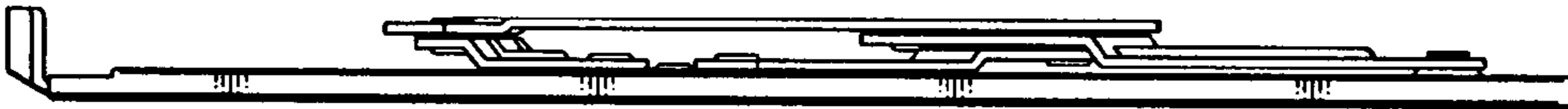


FIG. 6



FIG. 7



FIG. 8



FIG. 9



FIG. 10



FIG. 11



FIG. 12

