



US00D559095S

(12) **United States Design Patent**
Lalancette et al.

(10) **Patent No.:** **US D559,095 S**
(45) **Date of Patent:** **** Jan. 8, 2008**

(54) **SEALING RING**

(75) Inventors: **Daniel Lalancette**,
St-Jean-sur-Richelieu (CA); **Yves**
Boucher, St-Jean-sur-Richelieu (CA)

(73) Assignee: **Thomas & Betts International, Inc.**,
Wilmington, DE (US)

(**) Term: **14 Years**

(21) Appl. No.: **29/244,581**

(22) Filed: **Dec. 12, 2005**

(51) **LOC (8) Cl.** **08-08**

(52) **U.S. Cl.** **D8/396**

(58) **Field of Classification Search** D8/356,
D8/371, 394-396, 499, 53, 100, 365; D12/51;
D19/65, 90; D28/39, 40, 42; 24/546, 563,
24/910, 327, 334, DIG. 8, DIG. 9, DIG. 13,
24/DIG. 28; 248/74.2, 300, 301, 316.7,
248/229.26

See application file for complete search history.

(56) **References Cited**

U.S. PATENT DOCUMENTS

D31,895 S *	11/1899	Cook	D8/396
988,109 A	3/1911	Kaufmann		
4,468,842 A *	9/1984	Perry et al.	24/279
5,048,881 A	9/1991	Renfro		
5,220,710 A *	6/1993	Laudan et al.	24/279
5,230,537 A *	7/1993	Newman	285/112

5,851,038 A	12/1998	Robinson et al.		
6,035,495 A *	3/2000	Andersen	24/279
6,877,191 B2 *	4/2005	Logan et al.	24/279

* cited by examiner

Primary Examiner—Louis S. Zarfes

Assistant Examiner—John Windmuller

(74) *Attorney, Agent, or Firm*—Hoffmann & Baron, LLP

(57) **CLAIM**

The ornamental design for a sealing ring, as shown and described.

DESCRIPTION

FIG. 1 is a right perspective view of a sealing ring constructed in accordance with the invention;

FIG. 2 is a left perspective view of the sealing ring shown in FIG. 1;

FIG. 3 is a bottom view of the sealing ring shown in FIGS. 1-2;

FIG. 4 is a front view of the sealing ring shown in FIGS. 1-3;

FIG. 5 is a side view of the sealing ring shown in FIGS. 1-4;

FIG. 6 is a front view of the sealing ring shown in FIGS. 1-5 mounted on an electric meter housing; and,

FIG. 7 is a side view of the sealing ring shown in FIG. 6.

The subject matter shown in broken or phantom lines in the figures above is shown for exemplary purposes and forms no part of the claimed design.

1 Claim, 5 Drawing Sheets

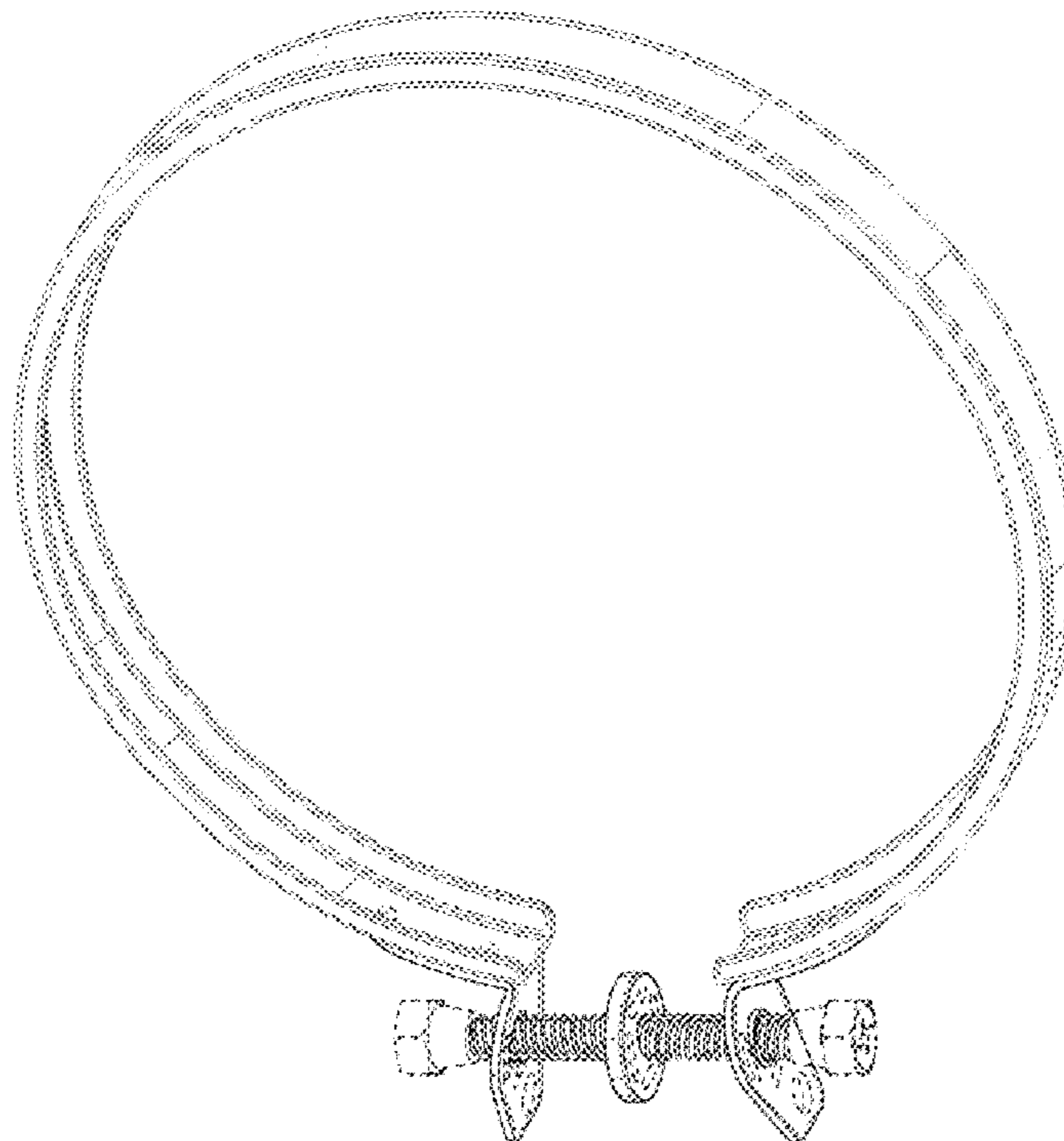


FIG. 1

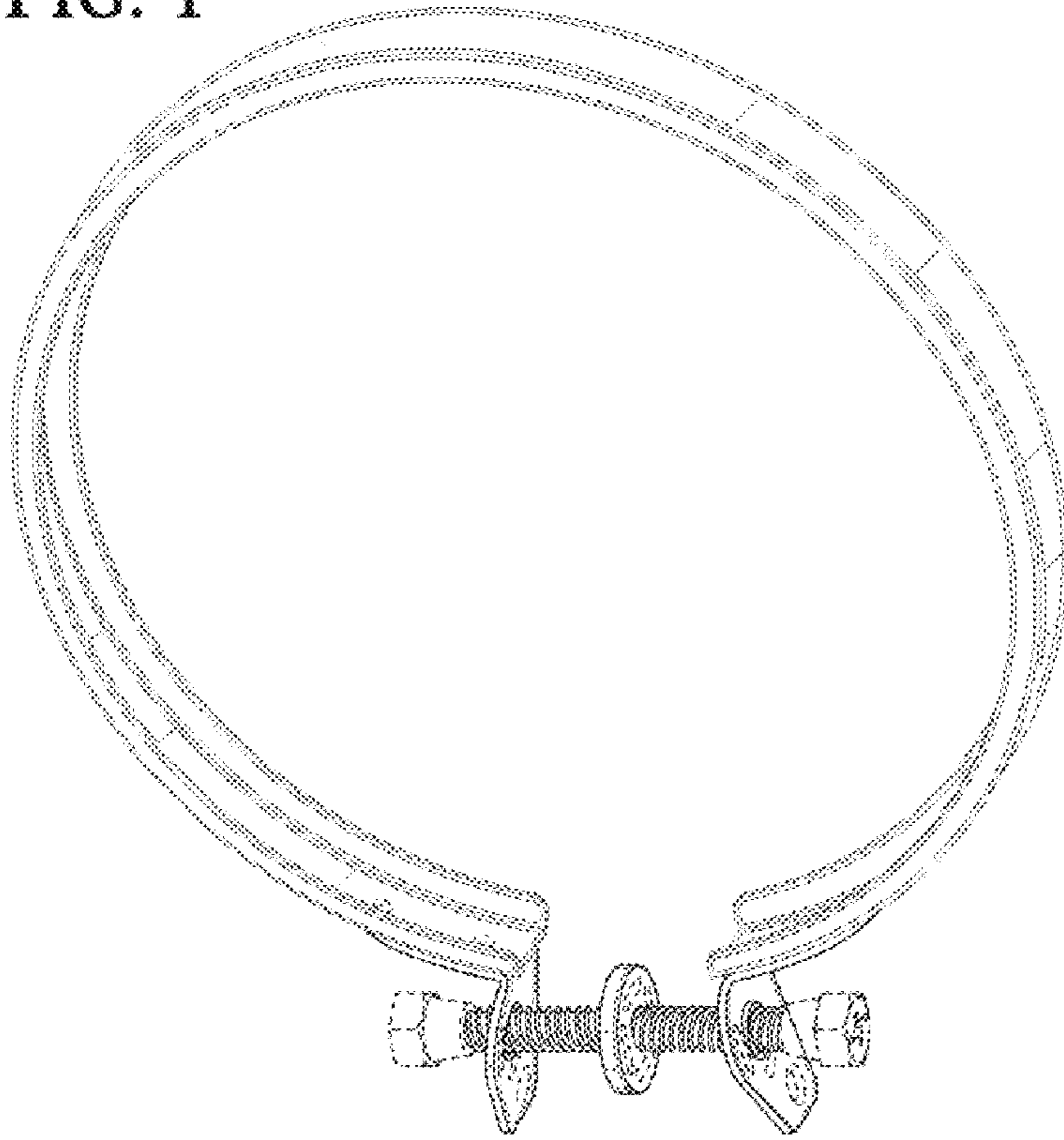


FIG. 2

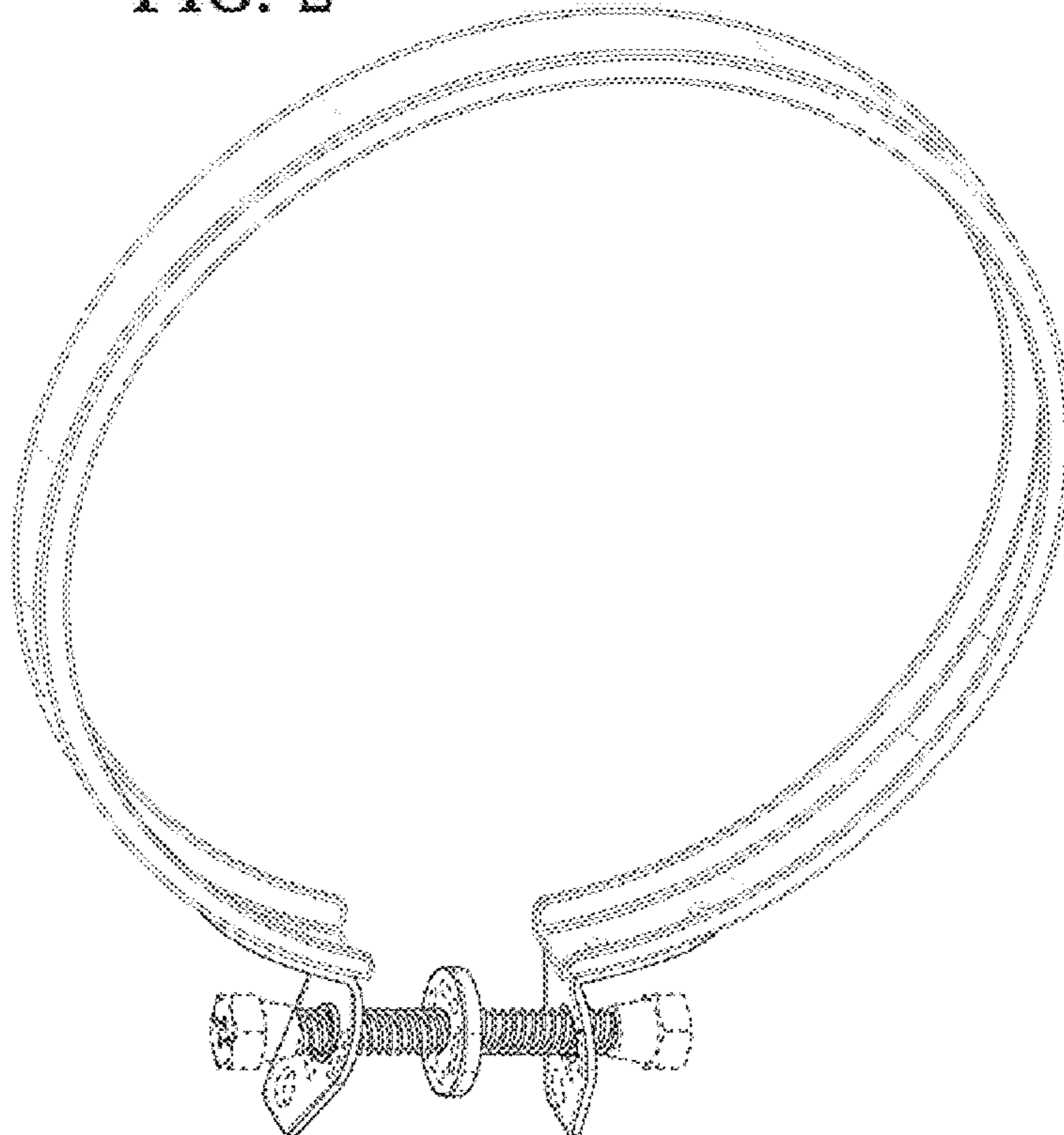


FIG. 3

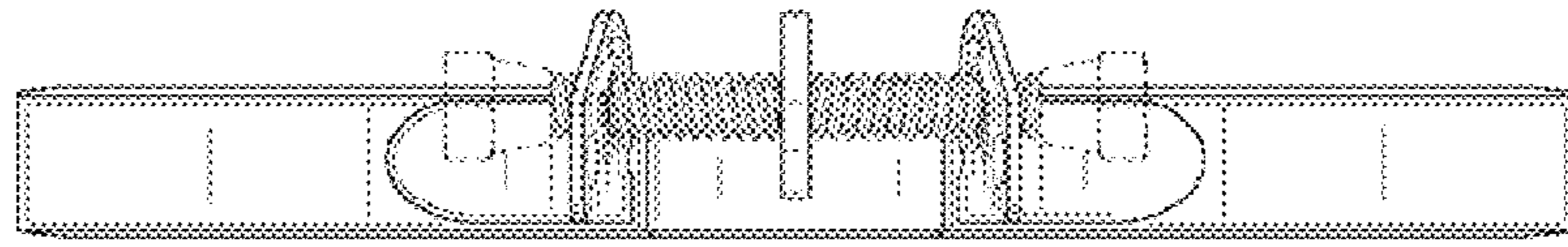


FIG. 4

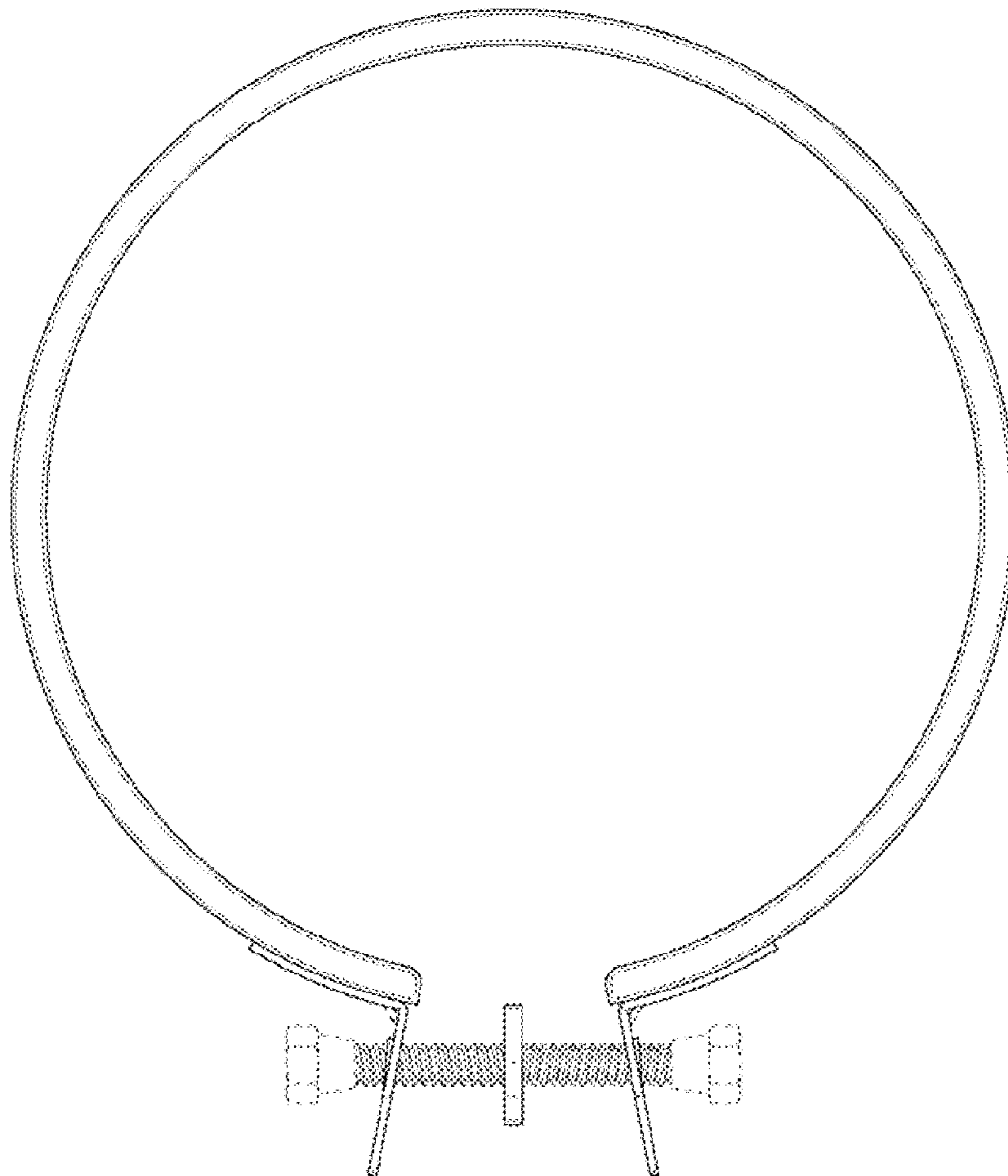


FIG. 5

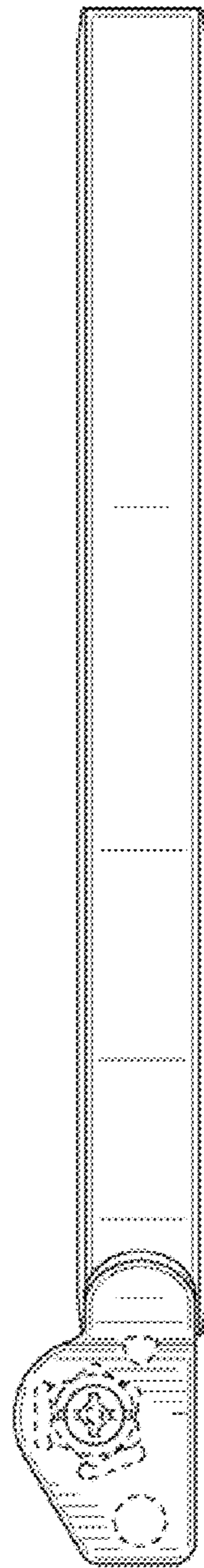


FIG. 6

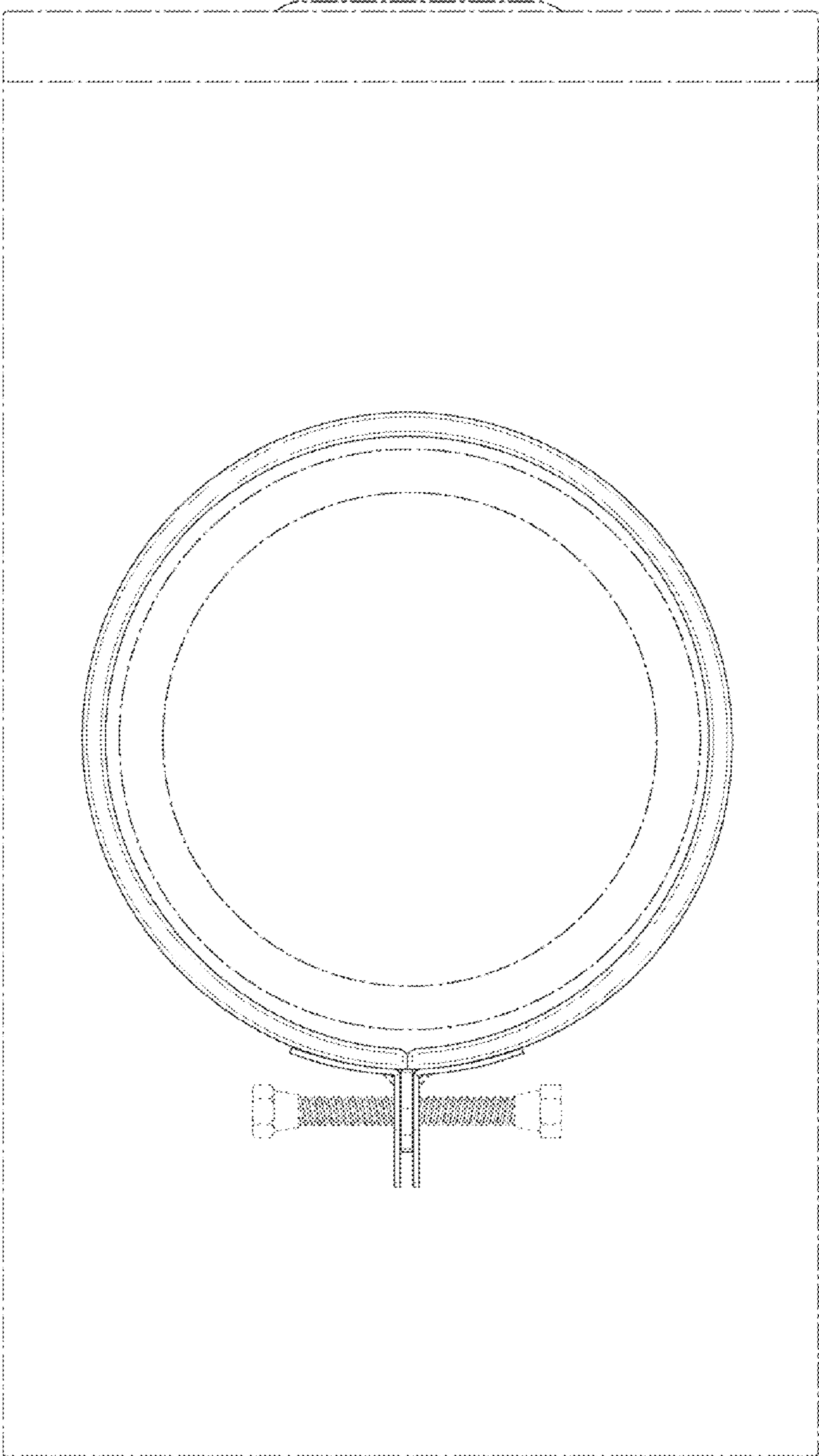


FIG. 7

