



US00D559090S

(12) **United States Design Patent**
Nawrocki

(10) **Patent No.:** **US D559,090 S**
(45) **Date of Patent:** **** Jan. 8, 2008**

(54) **CHANNEL SUPPORT UNIT FOR A
SUSPENDED STORAGE STRUCTURE**

(75) Inventor: **John Richard Nawrocki**, Ocala, FL
(US)

(73) Assignee: **Clairson, Inc.**, Newark, DE (US)

(**) Term: **14 Years**

(21) Appl. No.: **29/252,059**

(22) Filed: **Jan. 18, 2006**

Related U.S. Application Data

(63) Continuation of application No. 11/287,729, filed on
Nov. 28, 2005.

(51) **LOC (8) Cl.** **08-05**

(52) **U.S. Cl.** **D8/373**

(58) **Field of Classification Search** D8/373;
248/317, 339; 211/119

See application file for complete search history.

(56) **References Cited**

U.S. PATENT DOCUMENTS

2,931,853 A	4/1960	Wilson
3,735,951 A	5/1973	Reed
3,945,462 A	3/1976	Griswold
3,961,711 A	6/1976	Perks

(Continued)

Primary Examiner—Holly H. Baynham

(74) *Attorney, Agent, or Firm*—Harness, Dickey & Pierce,
P.L.C.

(57) **CLAIM**

The ornamental appearance of a channel support unit for a
suspended storage structure, as shown and described.

DESCRIPTION

FIG. 1 is an upper perspective view of the channel support
unit for a suspended storage structure, showing my new
design;

FIG. 2 is an enlarged upper perspective view showing the
inside of the vertical member,

FIG. 3 is an enlarged outer perspective view of the vertical
member;

FIG. 4 is an enlarged, interior perspective view of the
horizontal member;

FIG. 5 is an upper perspective of the channel support unit for
a suspended storage structure as shown in FIG. 1;

FIG. 6 is an enlarged upper perspective view showing the
inside of the vertical member,

FIG. 7 is an enlarged outer perspective view of the vertical
member;

FIG. 8 is an enlarged, interior perspective view of the
horizontal member;

FIG. 9 is a lower perspective of the channel support unit for
a suspended storage structure as shown in FIG. 1;

FIG. 10 is an enlarged upper perspective view showing the
inside of the vertical member,

FIG. 11 is an enlarged outer perspective view of the vertical
member;

FIG. 12 is an enlarged, interior perspective view of the
horizontal member;

FIG. 13 is a top plan view thereof;

FIG. 14 is a bottom plan view thereof;

FIG. 15 is a front elevation view thereof;

FIG. 16 is a rear elevation view thereof;

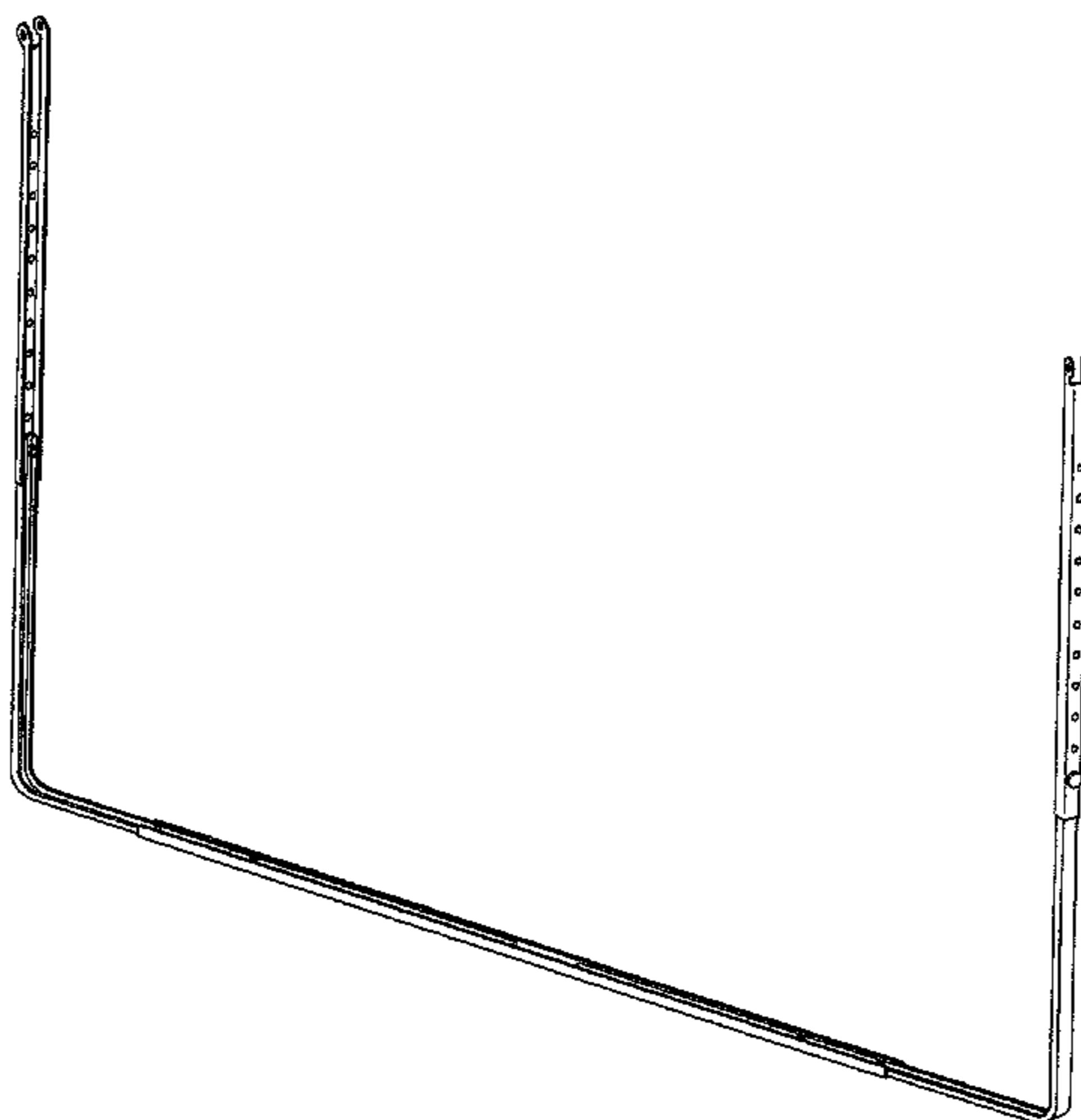
FIG. 17 is an enlarged left side elevation view thereof;

FIG. 18 is an enlarged right side elevation view thereof; and,

FIG. 19 is an environmental upper perspective view thereof.

The details shown in broken lines are for illustrative pur-
poses only and form no part of the claimed design.

1 Claim, 13 Drawing Sheets



US D559,090 S

Page 2

U.S. PATENT DOCUMENTS

4,108,084 A	8/1978	Fink		D459,926 S	7/2002	Mikich et al.
5,064,161 A *	11/1991	Anderson	248/317	6,435,105 B1	8/2002	Mikich et al.
5,351,926 A	10/1994	Moses		D470,353 S	2/2003	Mikich et al.
D370,404 S *	6/1996	Baird	D8/373	D477,957 S	8/2003	Mikich et al.
5,542,530 A	8/1996	Freelander		6,688,478 B2	2/2004	Miller, Jr. et al.
D416,152 S	11/1999	Payne et al.		6,715,427 B2	4/2004	Mikich et al.
6,119,999 A	9/2000	Fleishman		6,871,747 B2	3/2005	Bustos
6,145,678 A	11/2000	Morrison		2002/0023888 A1	2/2002	Wynne et al.
6,286,691 B1	9/2001	Oberhaus et al.		2004/0182291 A1	9/2004	Mikich et al.
6,311,626 B1	11/2001	Roberts		2005/0188903 A1	9/2005	Ryberg
6,409,031 B1	6/2002	Wynne				

* cited by examiner

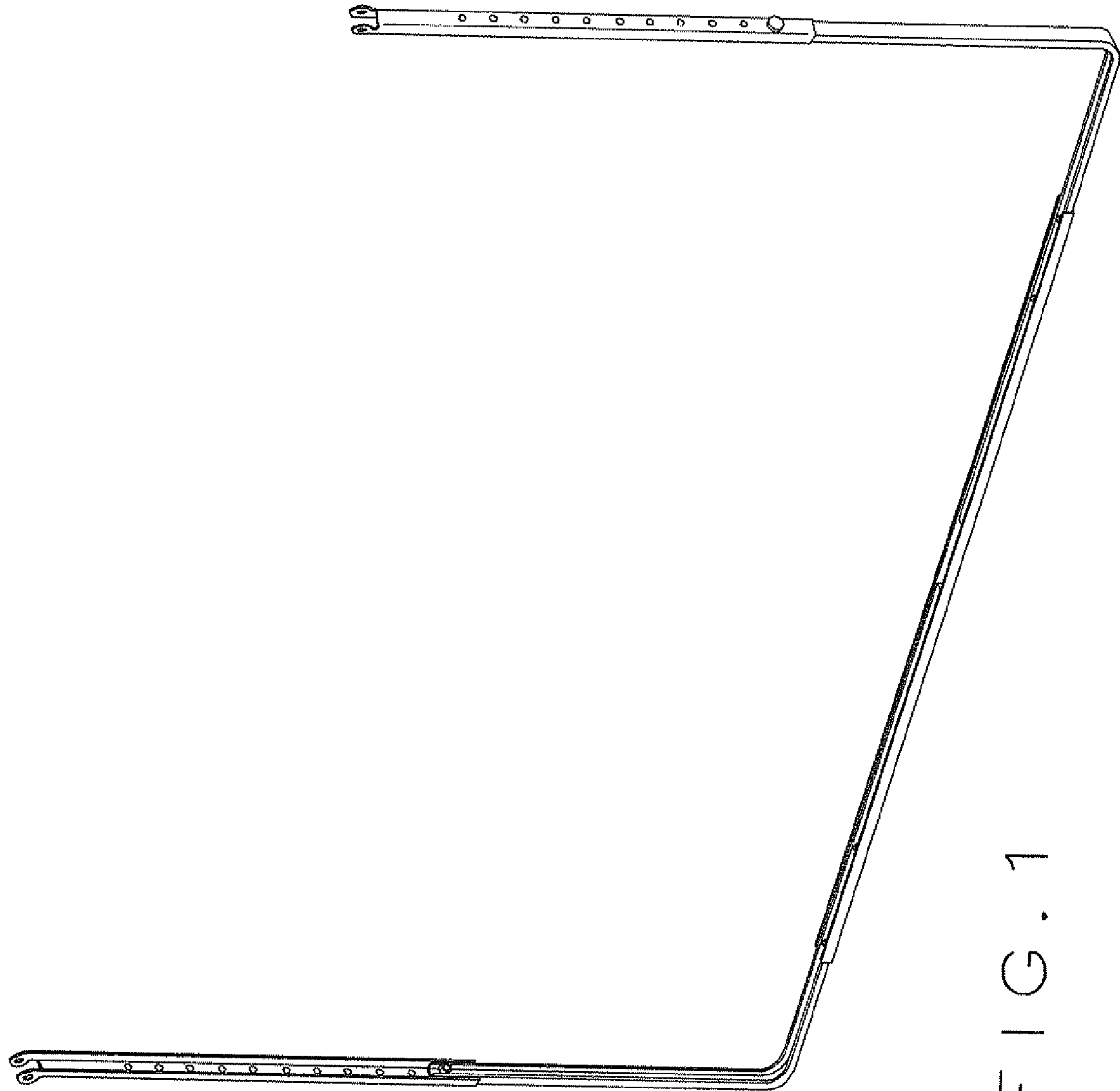


FIG. 1

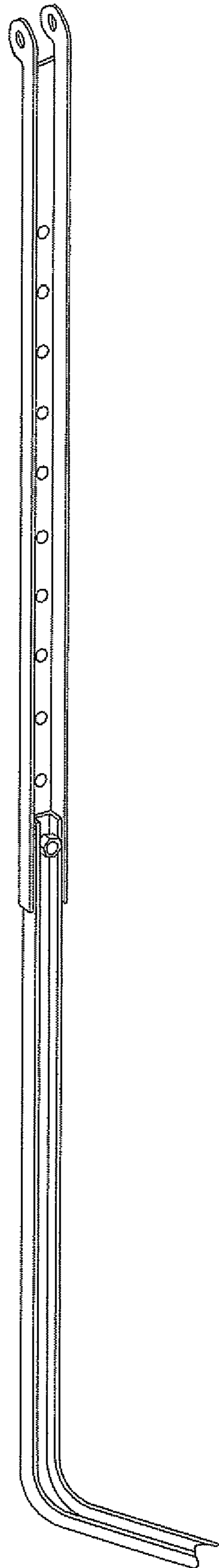


FIG. 2

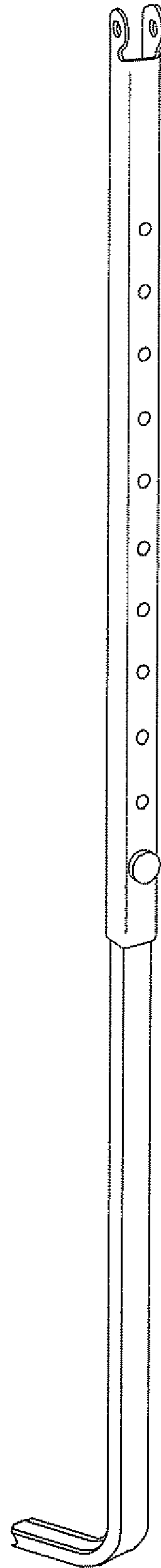


FIG. 3

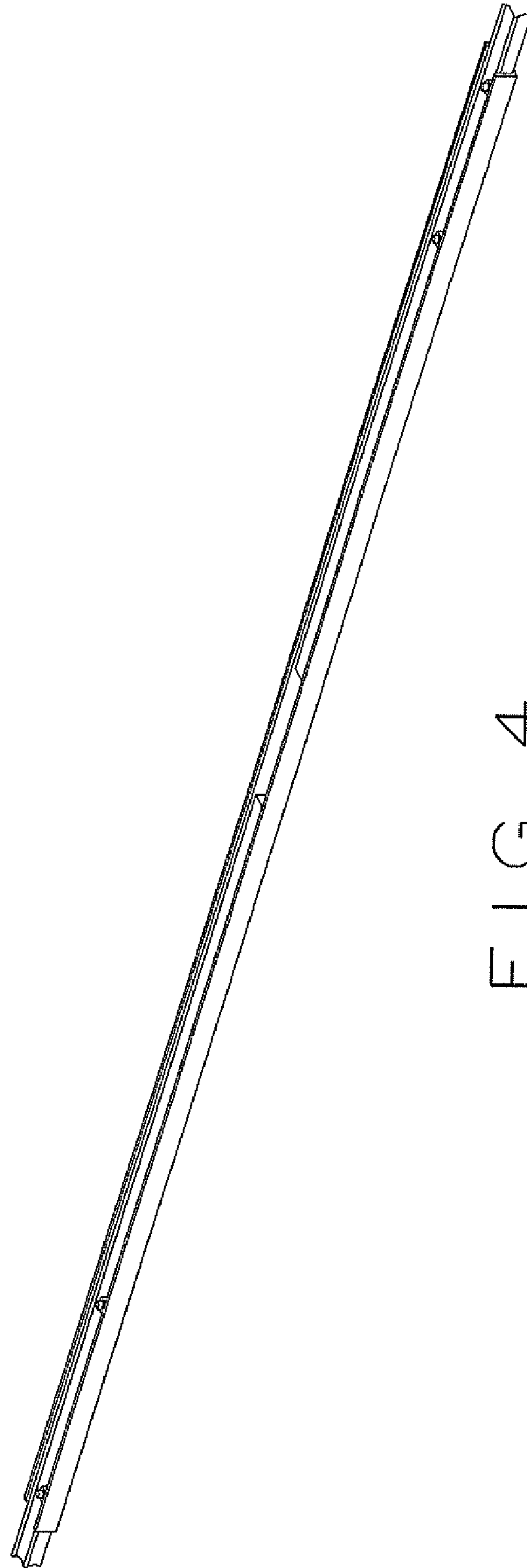


FIG. 4

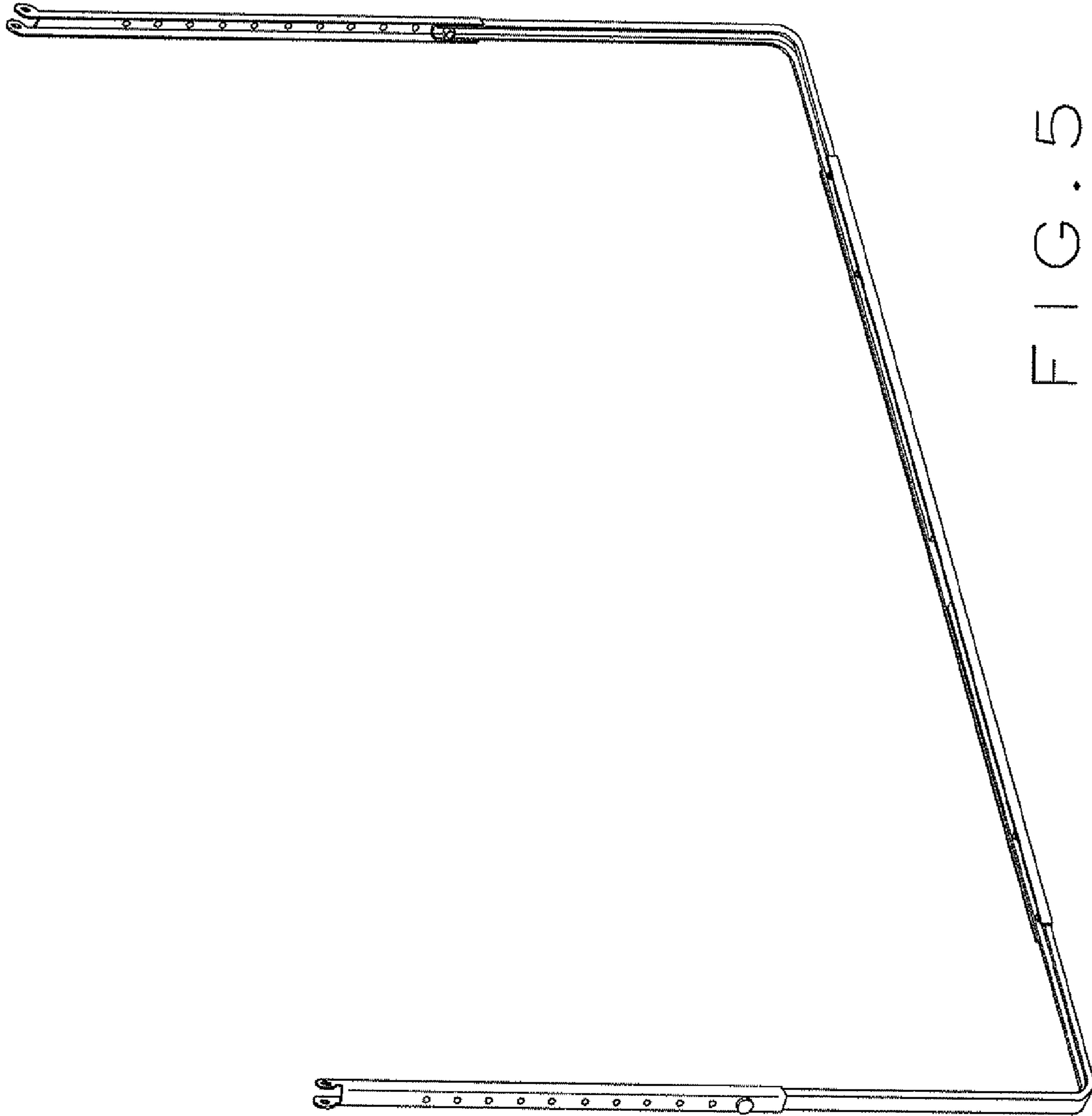


FIG. 5

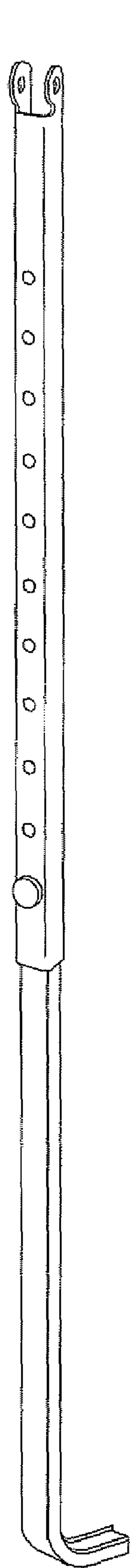


FIG. 7

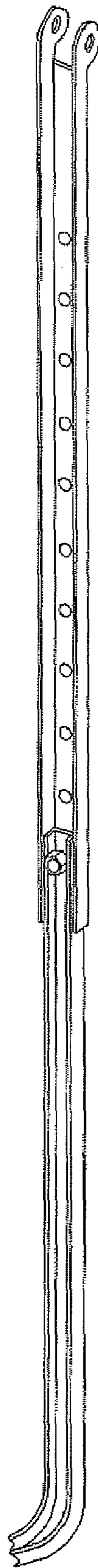


FIG. 6

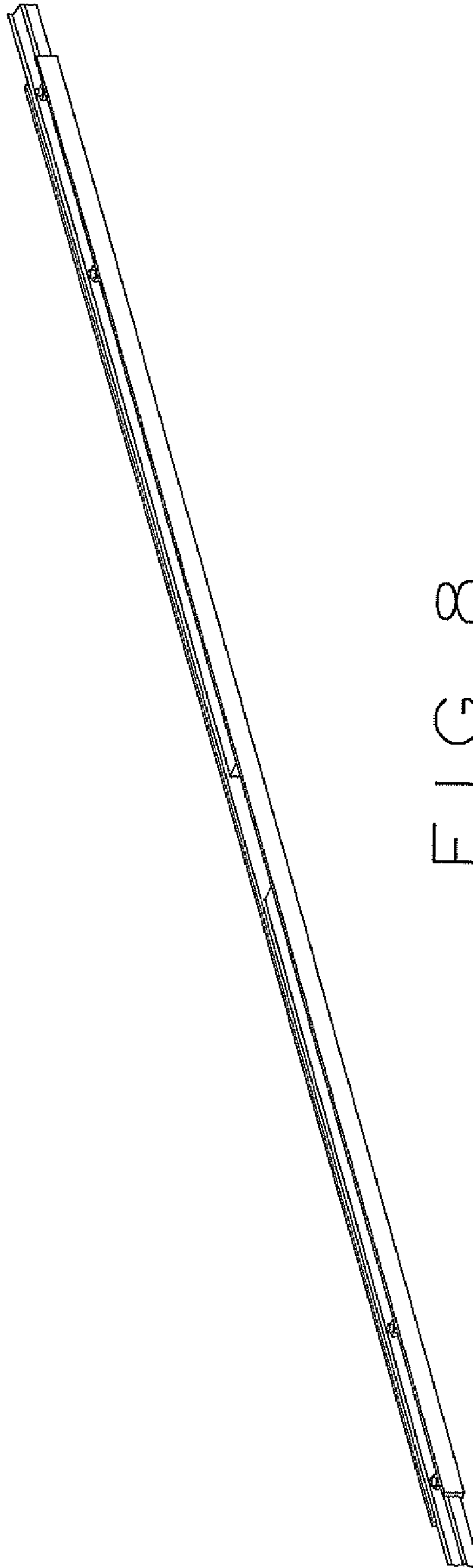


FIG. 8

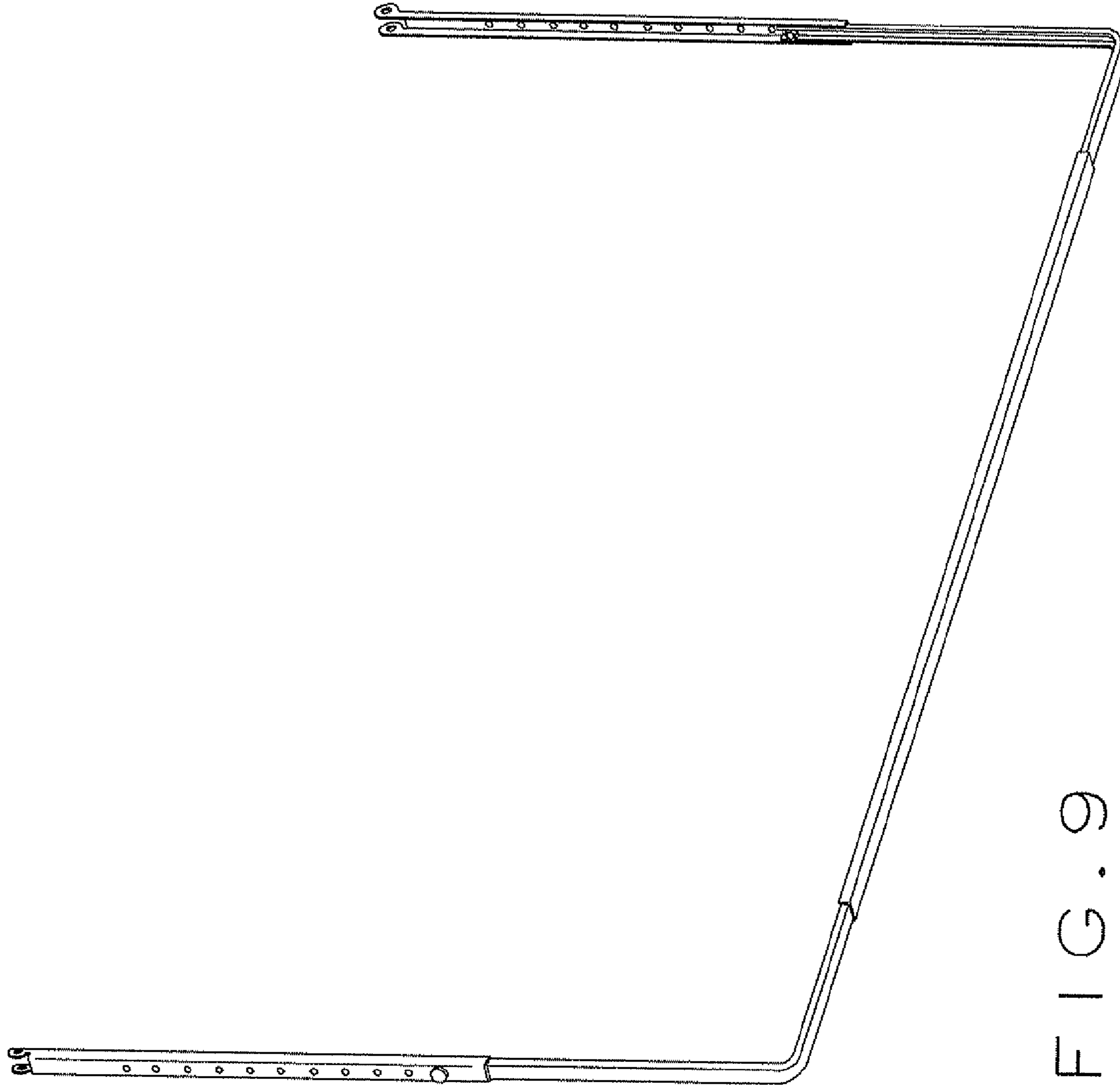


FIG. 9

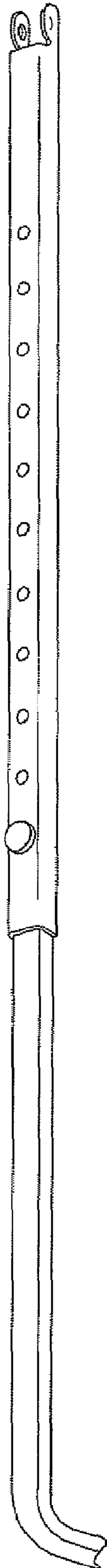


FIG. 11

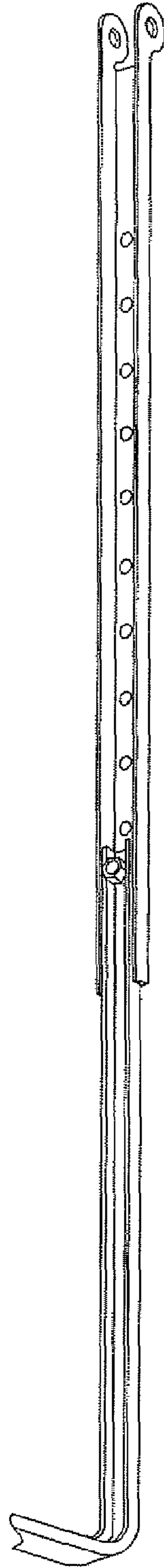


FIG. 10

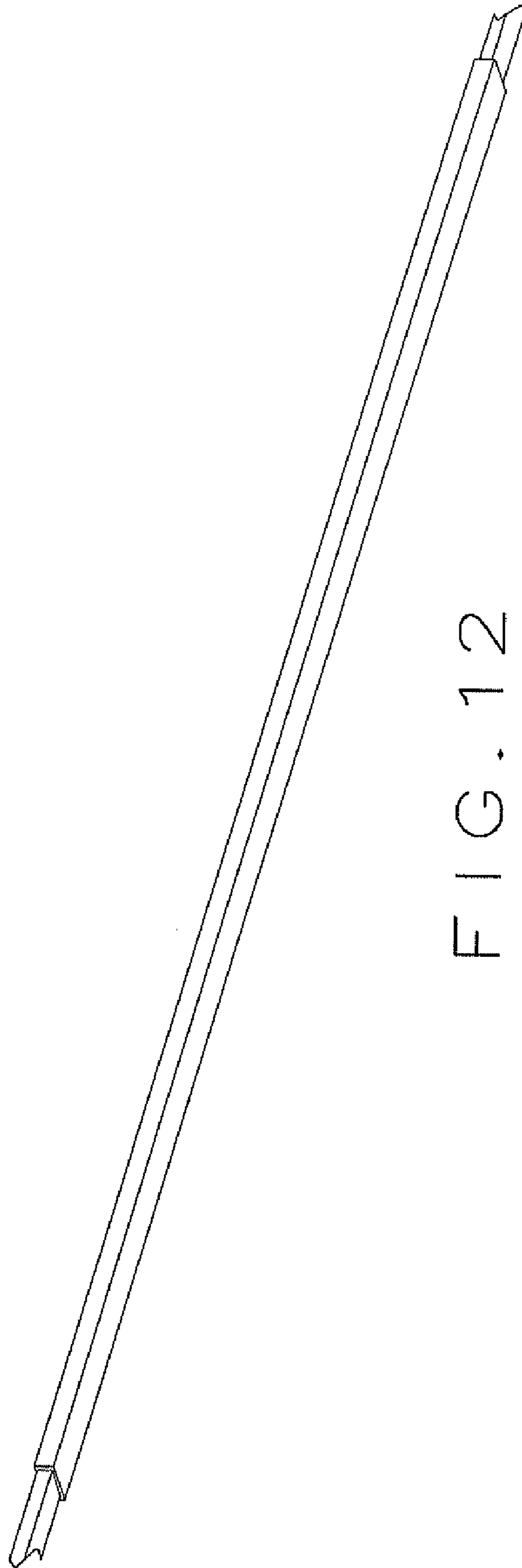


FIG. 12



FIG. 13



FIG. 14

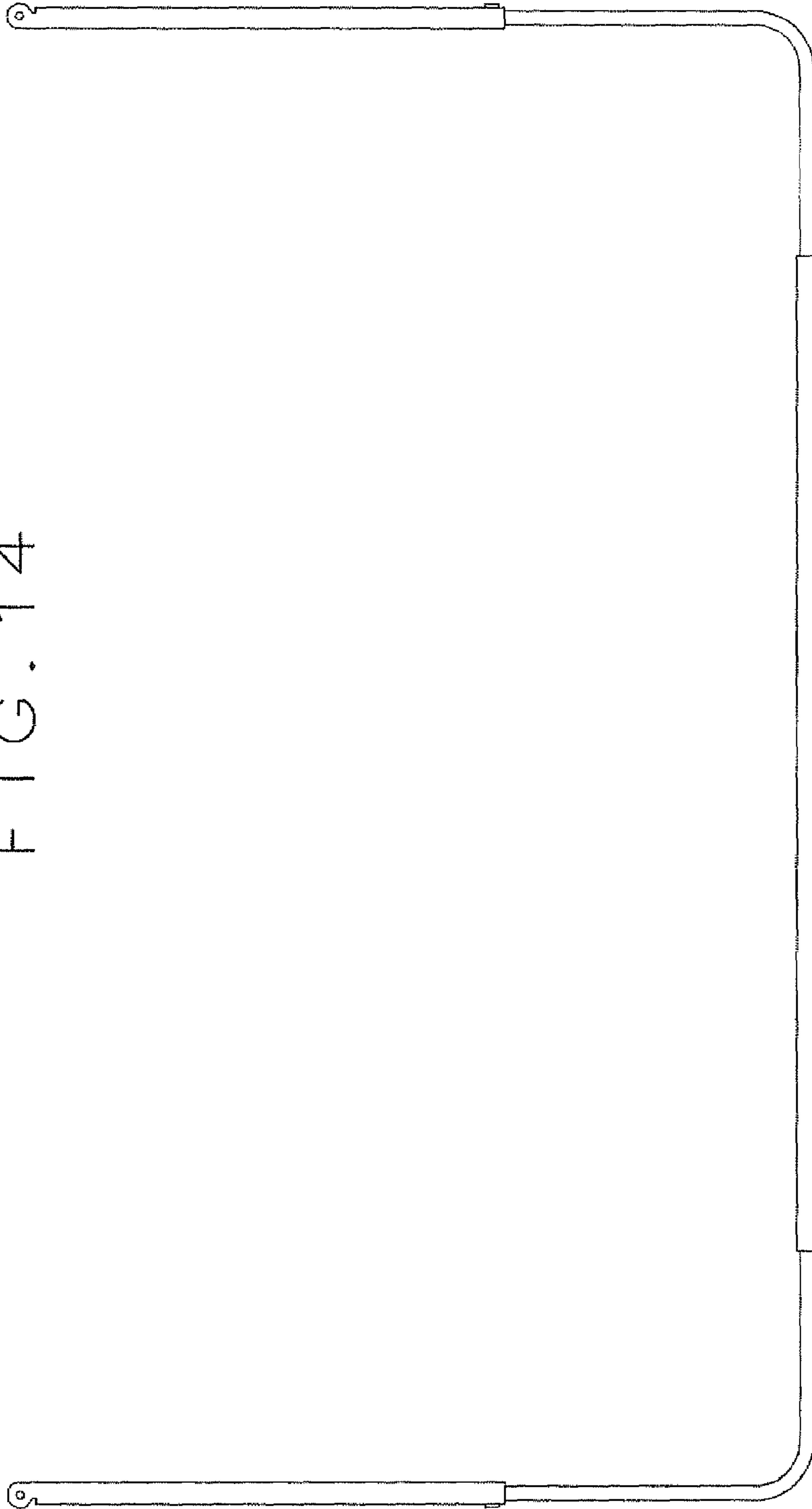


FIG. 15

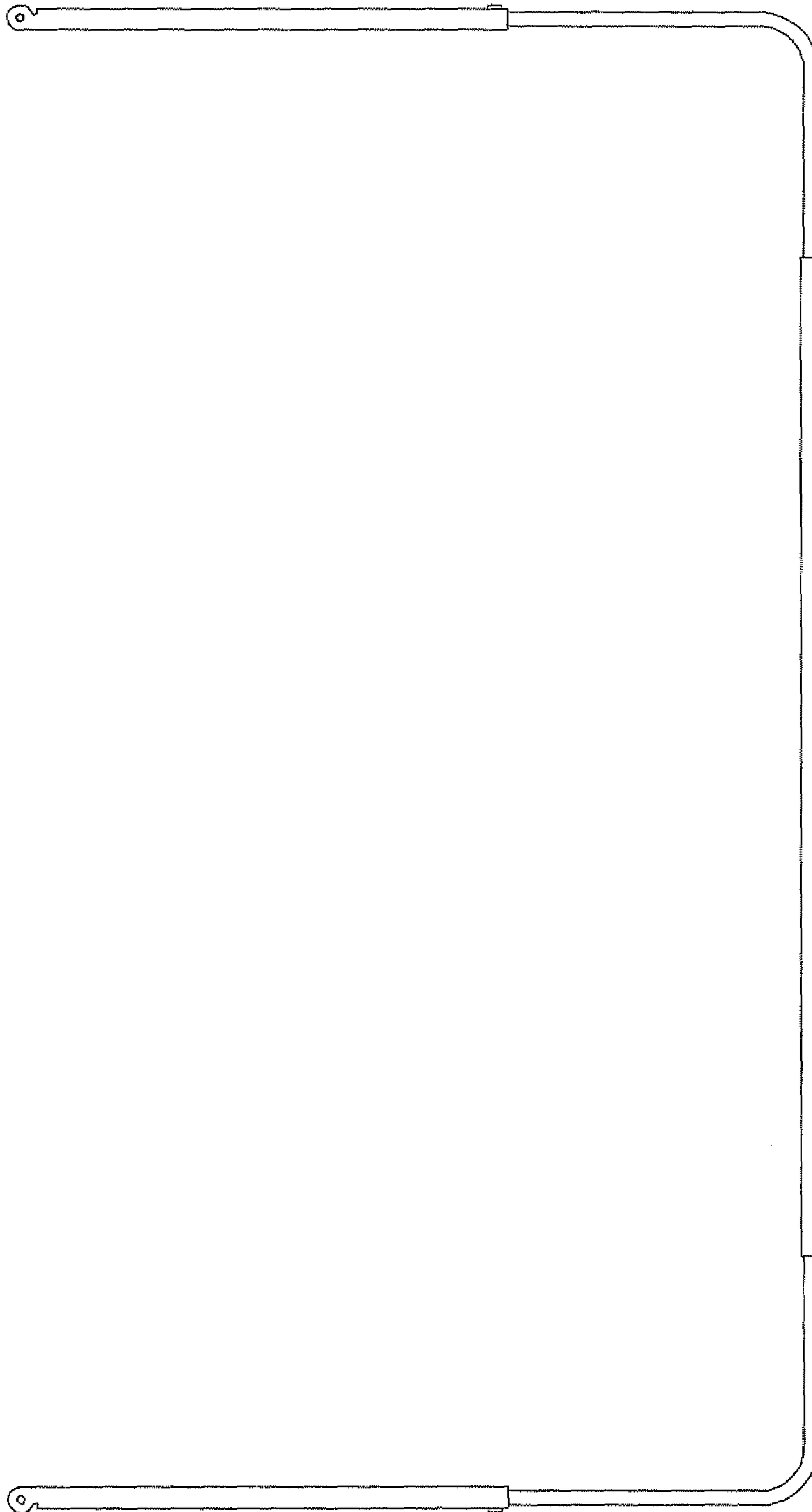


FIG. 16



FIG. 17

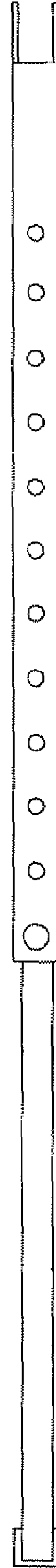


FIG. 18

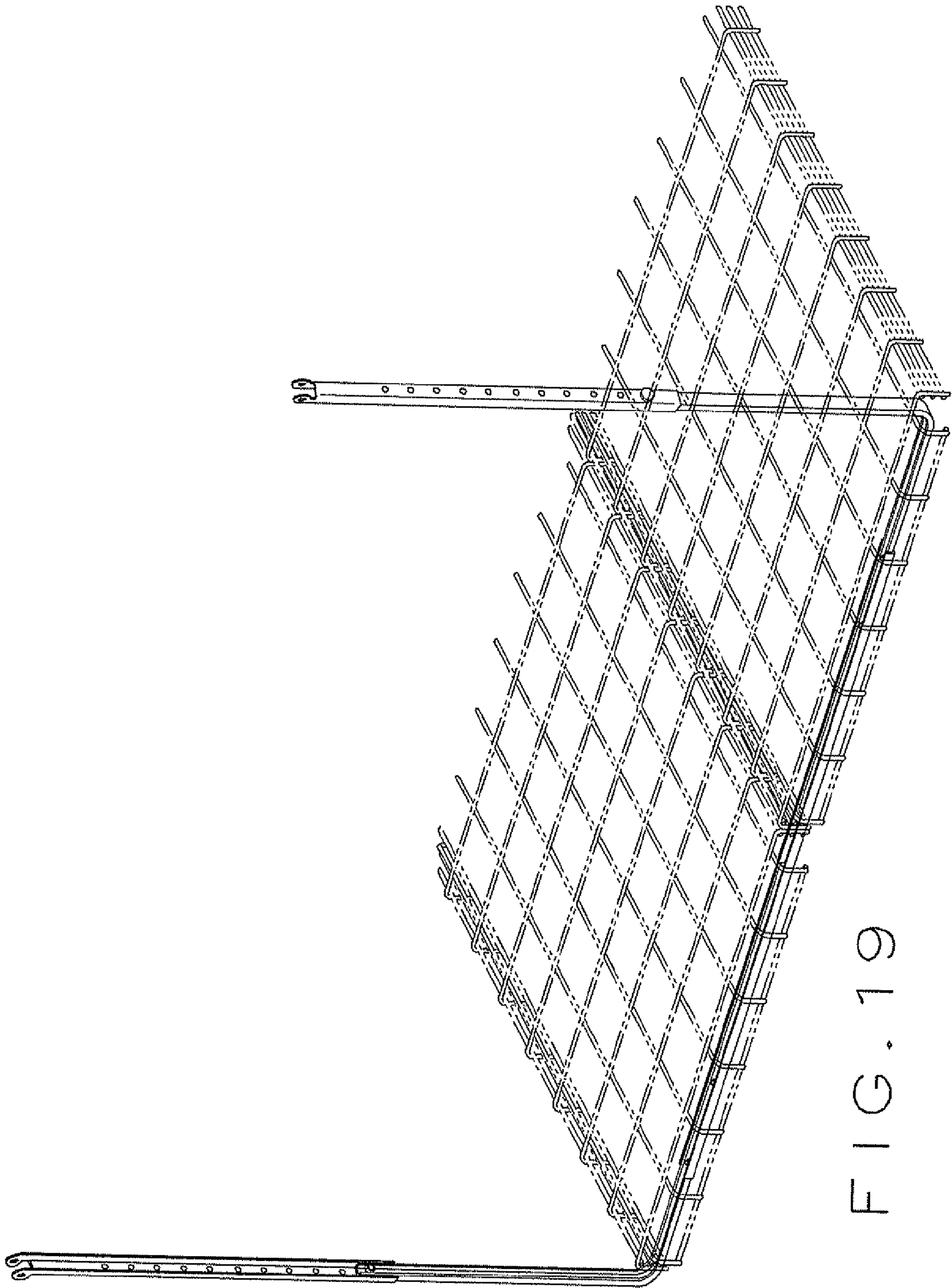


FIG. 19