



US00D559089S

(12) **United States Design Patent**
Goodman et al.

(10) **Patent No.:** **US D559,089 S**

(45) **Date of Patent:** **** Jan. 8, 2008**

(54) **HOOK RACK**

(75) Inventors: **Sheldon H. Goodman**, Solon, OH
(US); **Brian Stelmarski**, Northfield
Center, OH (US)

(73) Assignee: **Spectrum Diversified Designs, Inc.**,
Streetsboro, OH (US)

(**) Term: **14 Years**

(21) Appl. No.: **29/255,638**

(22) Filed: **Mar. 10, 2006**

(51) **LOC (8) Cl.** **08-05**

(52) **U.S. Cl.** **D8/372**

(58) **Field of Classification Search** D8/370,
D8/371, 372, 373; 248/303, 227.4; D6/320,
D6/323, 566, 567, 569; 211/30, 31, 34, 35,
211/86, 87, 106

See application file for complete search history.

(56) **References Cited**

U.S. PATENT DOCUMENTS

520,214 A * 5/1894 Naumann 211/106
D291,154 S * 8/1987 Owen D6/323
D294,791 S * 3/1988 Loscalzo et al. D6/569

D294,792 S * 3/1988 Zimmerman D6/569
D437,208 S * 2/2001 Snell D8/372
D464,871 S * 10/2002 Kalat D8/373
D494,048 S * 8/2004 Goodman et al. D8/372
D544,279 S * 6/2007 Kivett et al. D8/372

* cited by examiner

Primary Examiner—T. Chase Nelson

Assistant Examiner—Barbara B Lohr

(74) *Attorney, Agent, or Firm*—Pearne & Gordon LLP

(57) **CLAIM**

The ornamental design for a hook rack, as shown and described.

DESCRIPTION

FIG. 1 is a perspective view of a hook rack showing our new design;

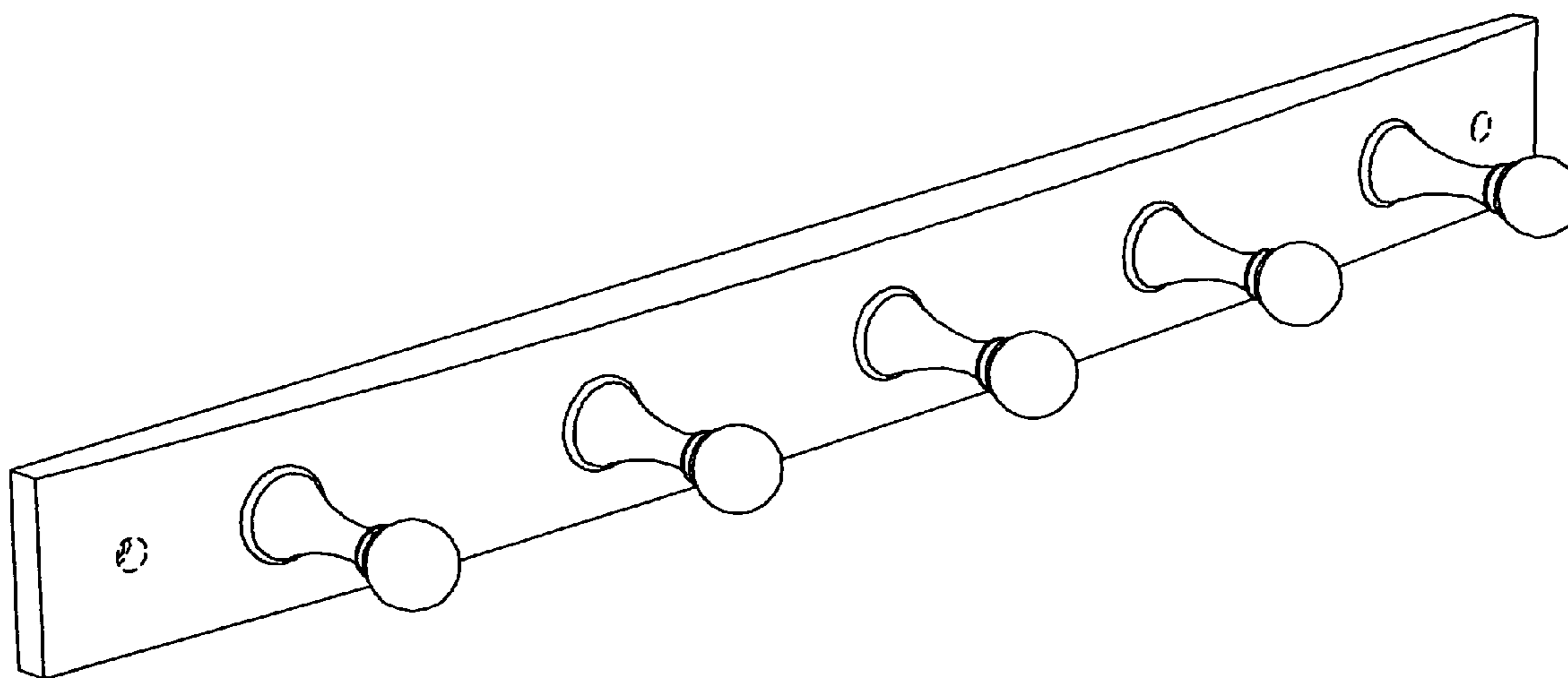
FIG. 2 is a front elevational view thereof;

FIG. 3 is a side elevational view thereof; and,

FIG. 4 is top plan view thereof.

The broken-line disclosure of elements in the views is for illustrative purposes only and forms no part of the claimed design.

1 Claim, 2 Drawing Sheets



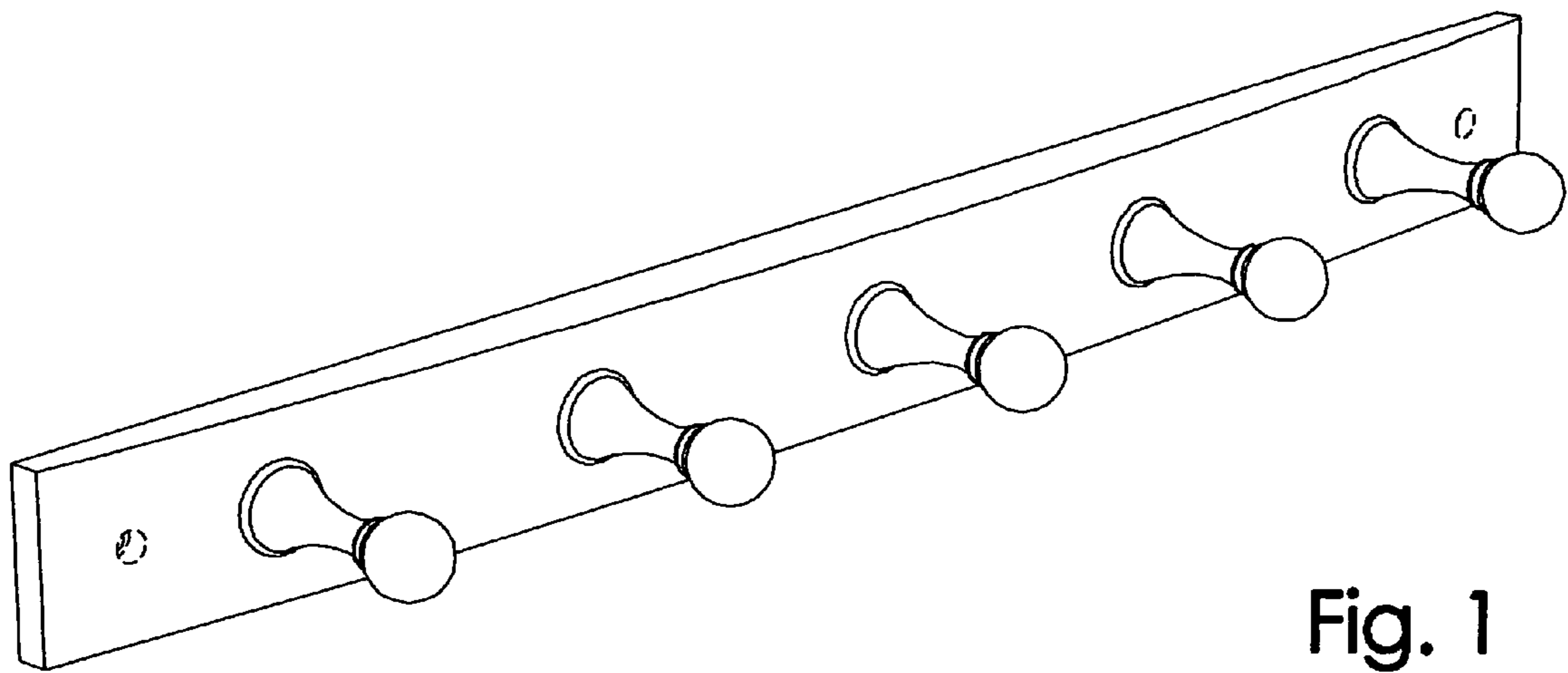


Fig. 1

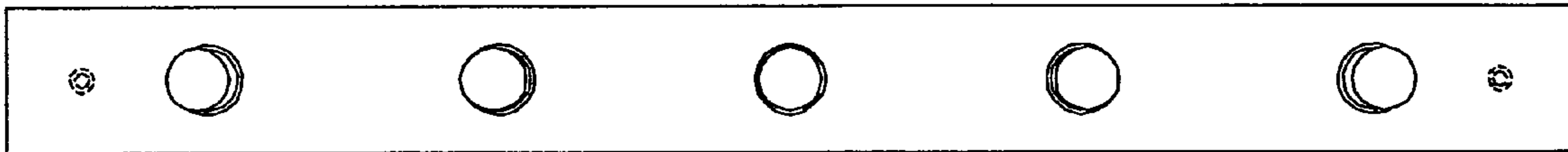


Fig. 2

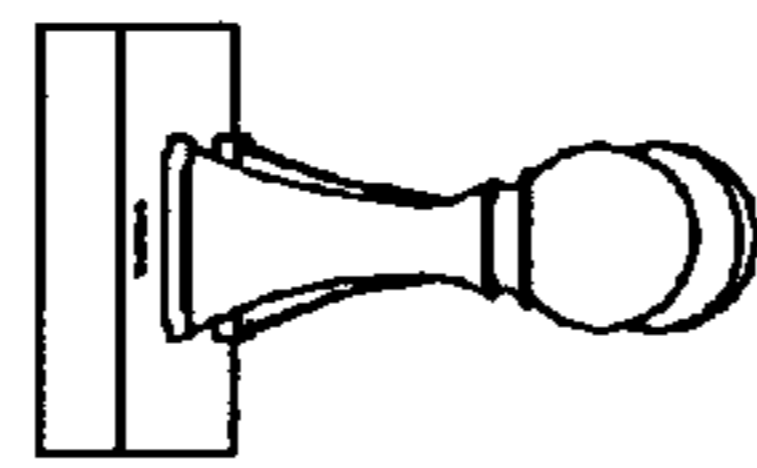


Fig. 3

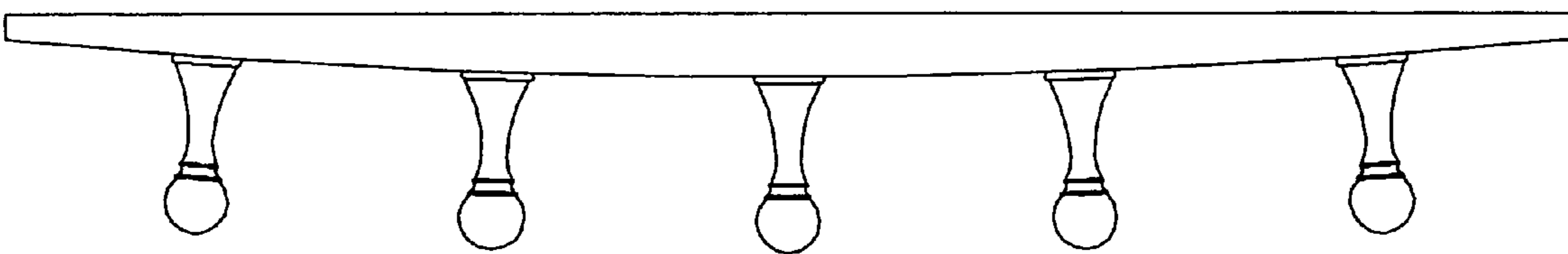


Fig. 4