



US00D559085S

(12) **United States Design Patent**  
**Yu**

(10) **Patent No.:** **US D559,085 S**  
(45) **Date of Patent:** **\*\* Jan. 8, 2008**

(54) **HOSE REEL**

2007/0145176 A1\* 6/2007 Fasser et al. .... 242/395

(75) Inventor: **Pin-Hsien Yu**, Taipei (TW)

\* cited by examiner

(73) Assignee: **Aqualean Manufacturing Associates Co., Ltd.**, Taipei (TW)

*Primary Examiner*—Gary D. Watson  
*Assistant Examiner*—Susan Bennett Hattan  
(74) *Attorney, Agent, or Firm*—Egbert Law Offices

(\*\*) Term: **14 Years**

(57) **CLAIM**

(21) Appl. No.: **29/258,835**

I claim the ornamental design for a hose reel, as shown and described.

(22) Filed: **Apr. 28, 2006**

**DESCRIPTION**

(51) **LOC (8) Cl.** ..... **08-05**

FIG. 1 is an upper perspective view of the hose reel showing my design.

(52) **U.S. Cl.** ..... **D8/358**

FIG. 2 is a side view thereof;

(58) **Field of Classification Search** ..... D8/359,  
D8/358, 356; D7/540; D34/25, 24, 14-19;  
D21/800; 242/405, 398, 395, 390.1, 389-390;  
239/198, 197; 137/355.26-28, 355.2, 355.19;  
D10/72

FIG. 3 is an opposite side view thereof;

FIG. 4 is a front view thereof;

FIG. 5 is a back view thereof;

FIG. 6 is a top plan view thereof;

FIG. 7 is a bottom view thereof; and,

See application file for complete search history.

FIG. 8 is a perspective view thereof, showing a hose attachment in broken lines.

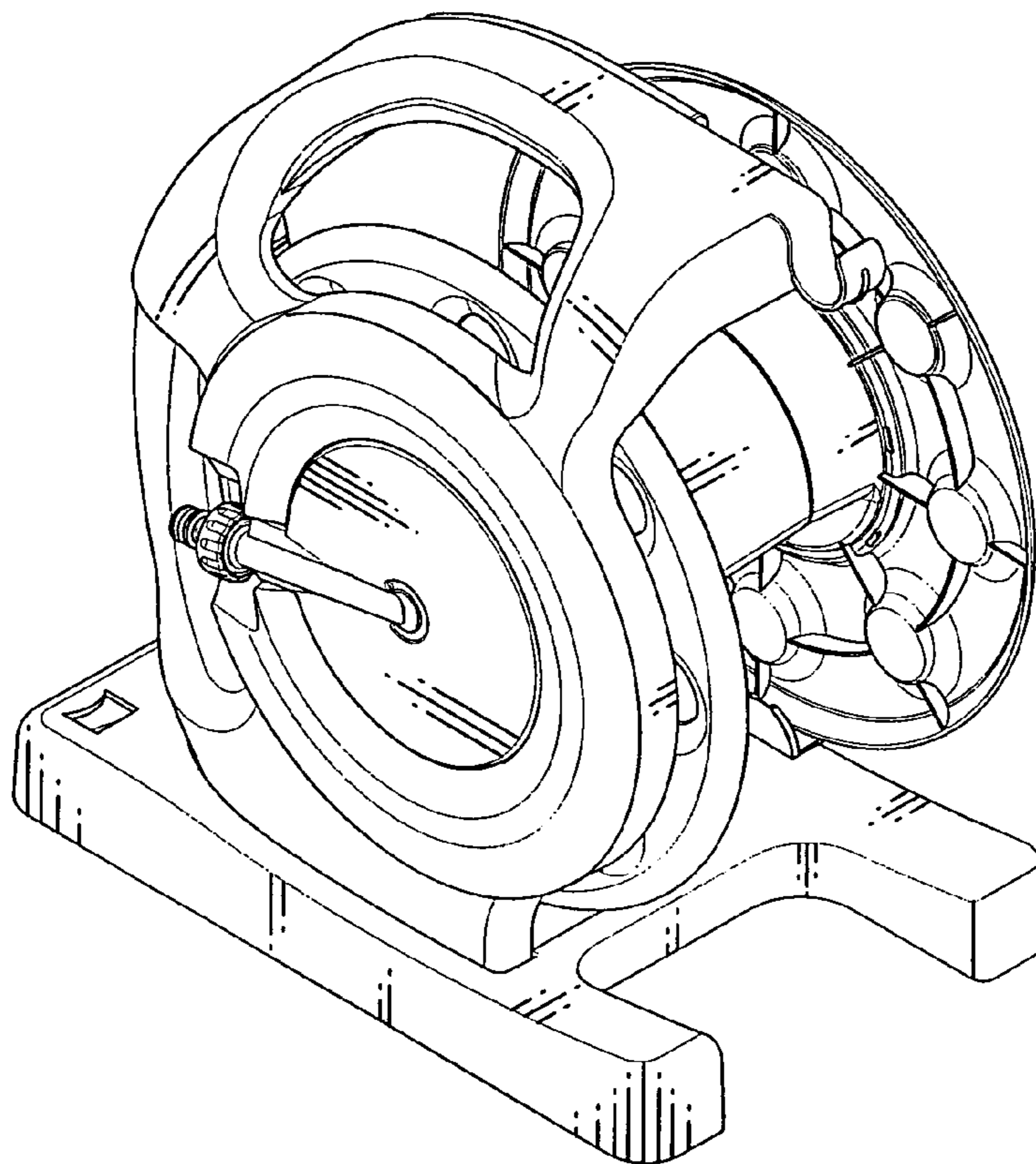
(56) **References Cited**

The broken lines are presented for illustrative purposes only and form no part of the claimed design.

**U.S. PATENT DOCUMENTS**

- D330,506 S \* 10/1992 Clivio ..... D8/359
- D352,232 S \* 11/1994 Apgar ..... D8/359
- D518,361 S \* 4/2006 Jassenoff ..... D8/358

**1 Claim, 5 Drawing Sheets**



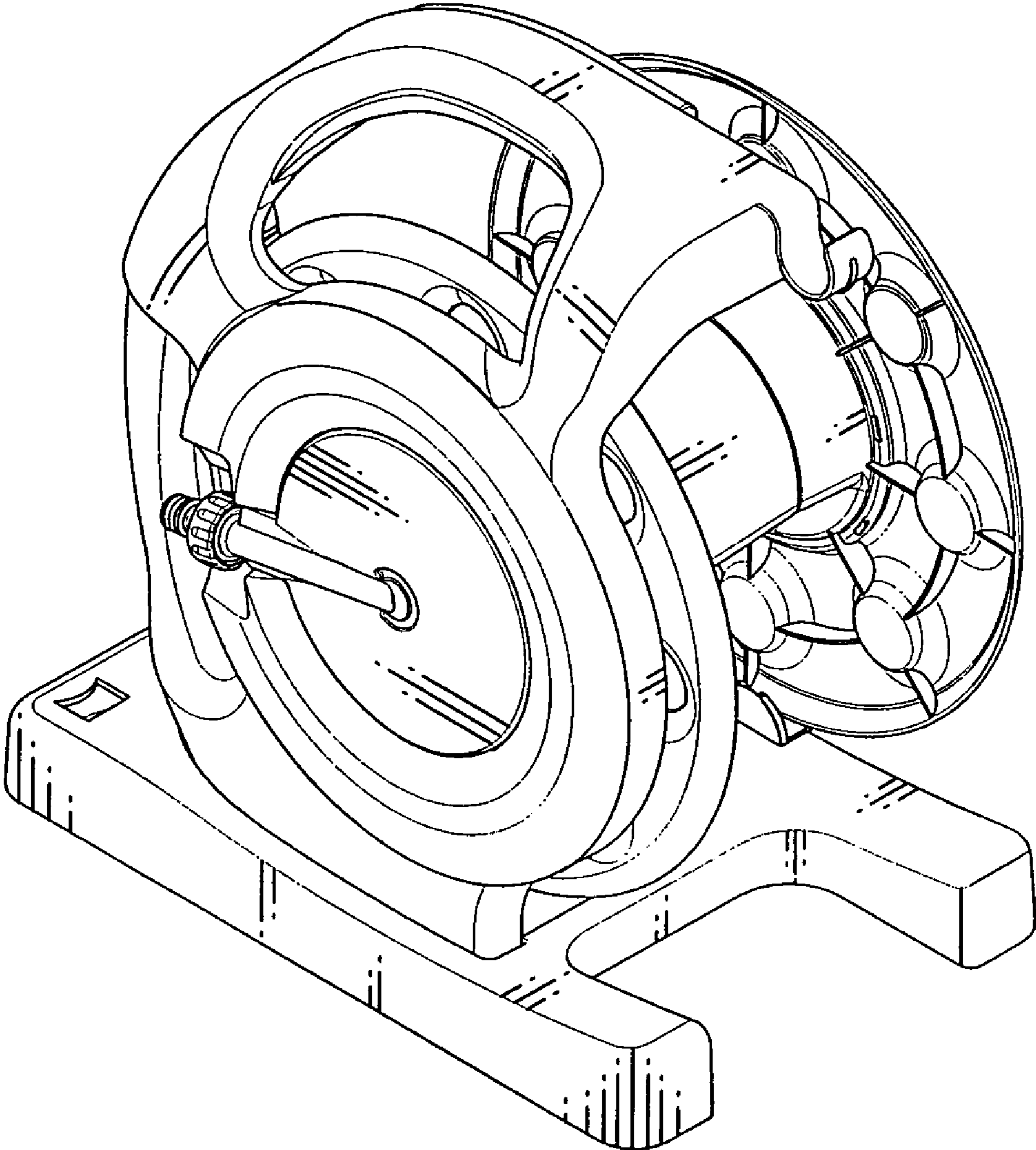


FIG. 1

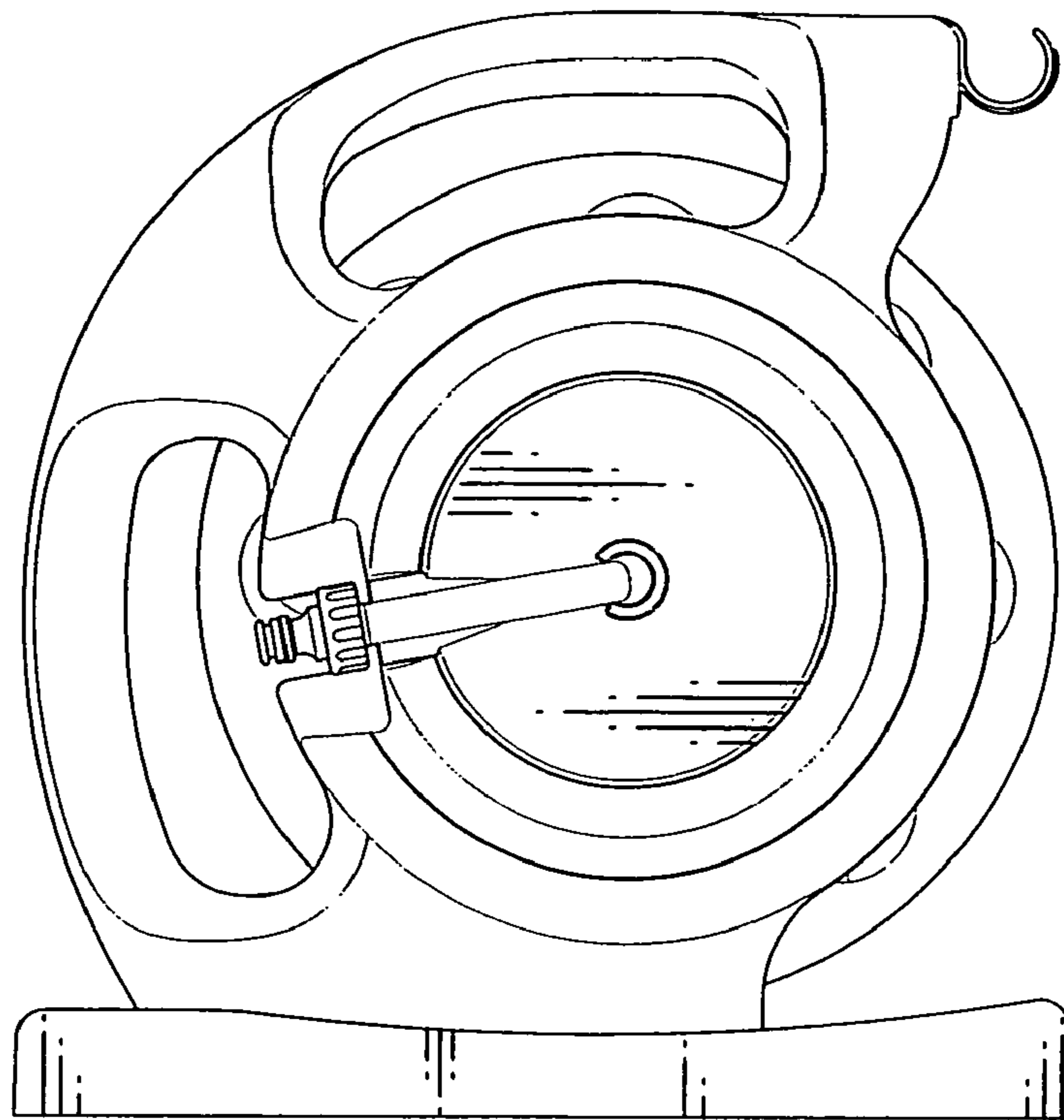


FIG. 2

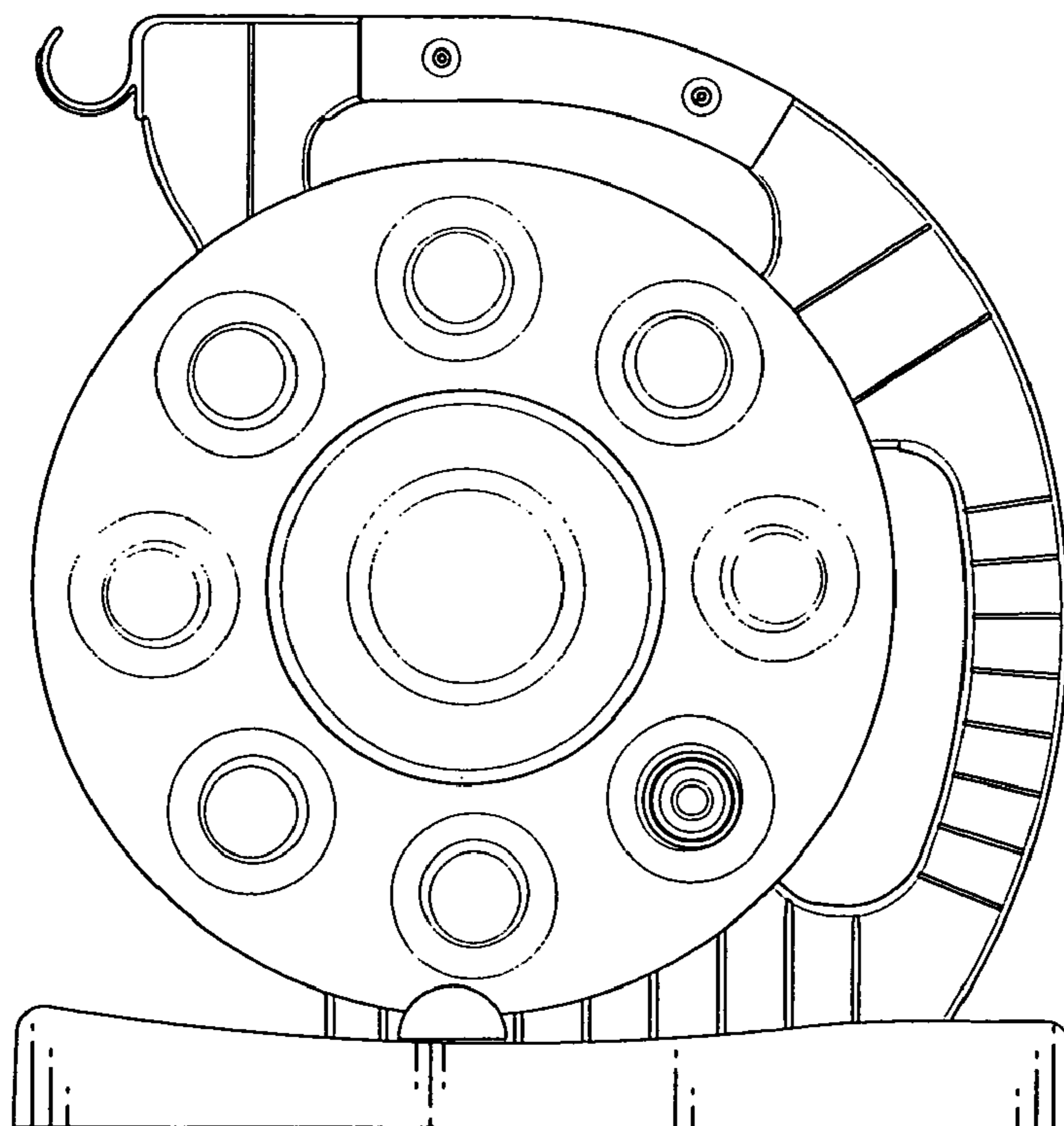


FIG. 3

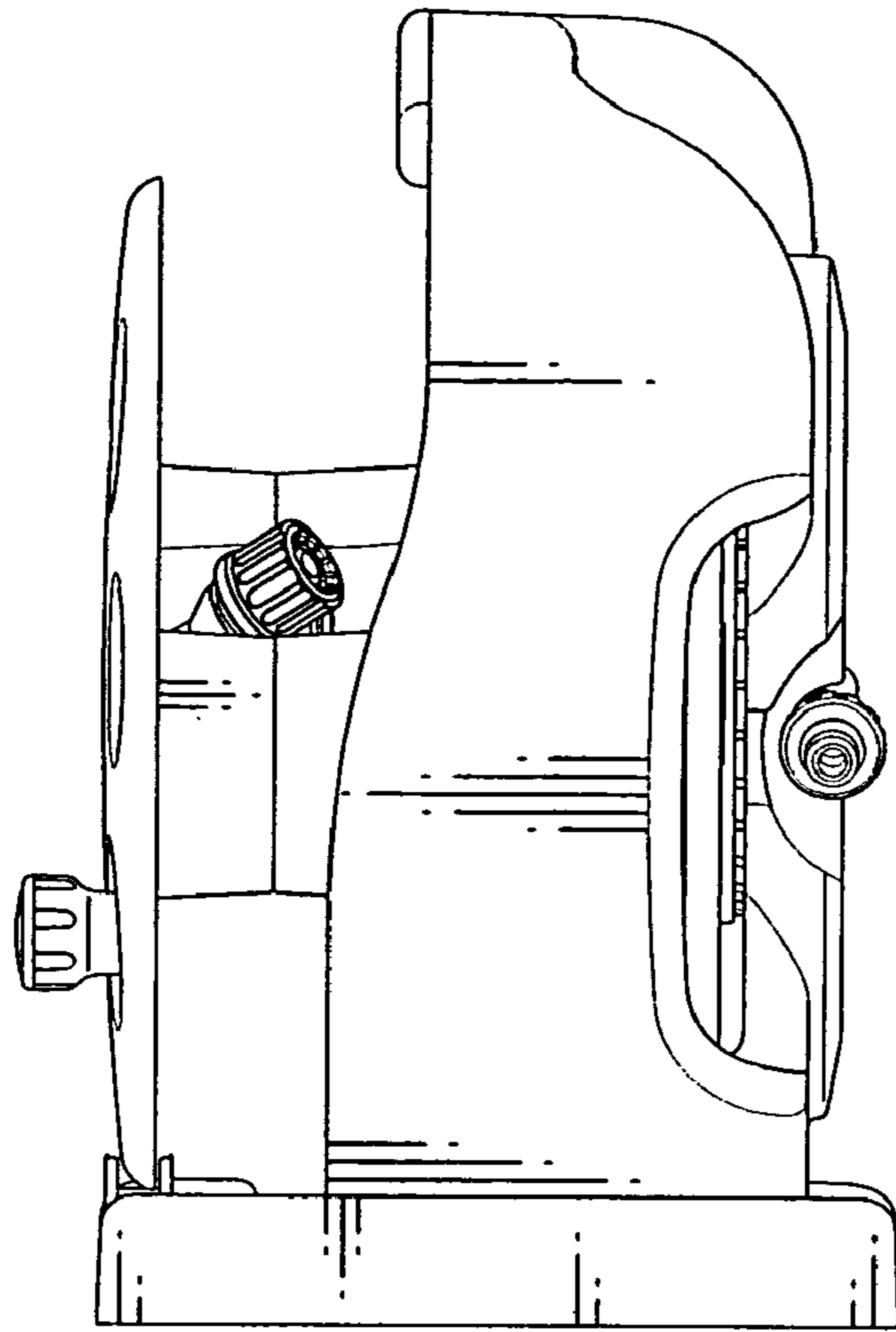


FIG. 4

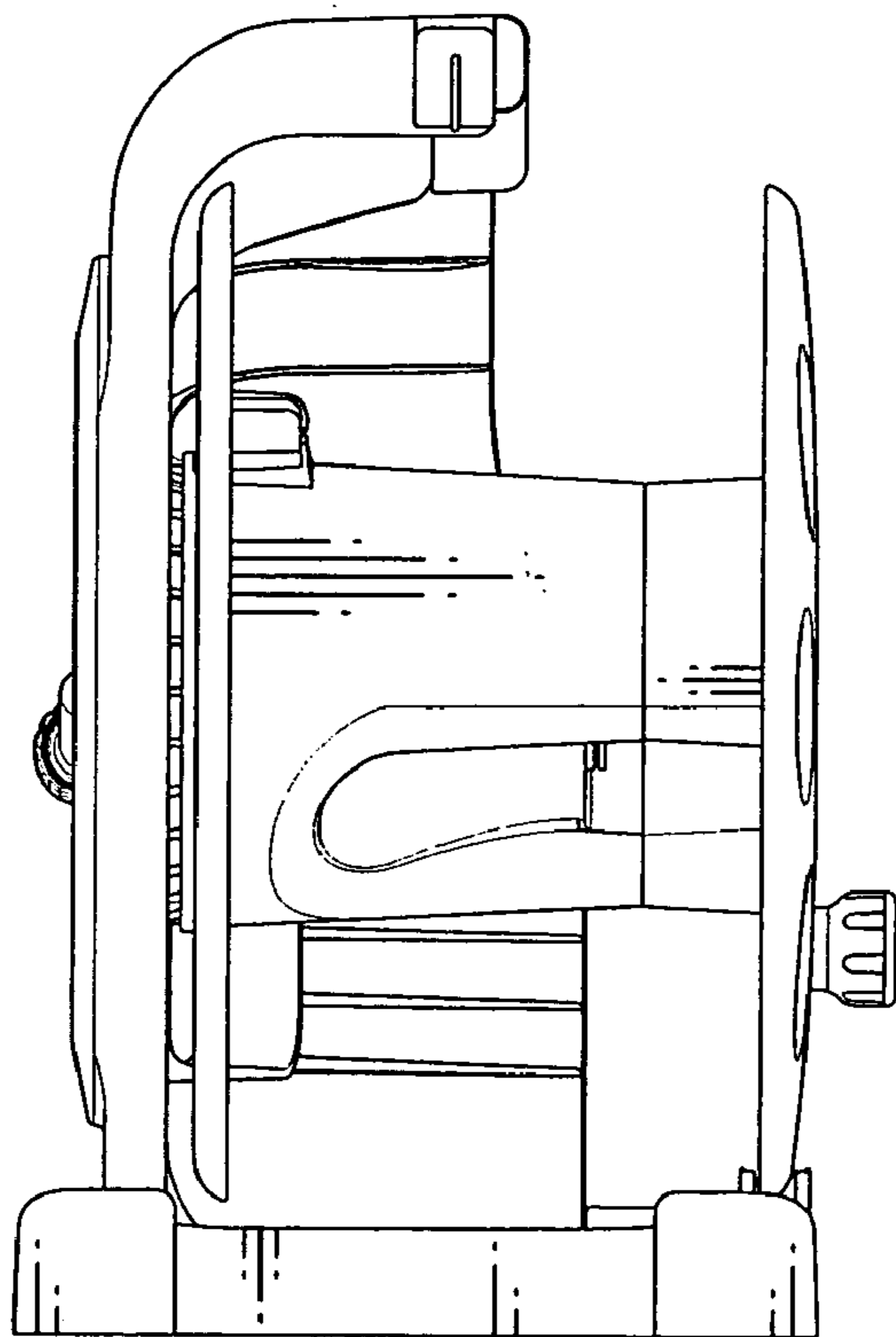


FIG. 5



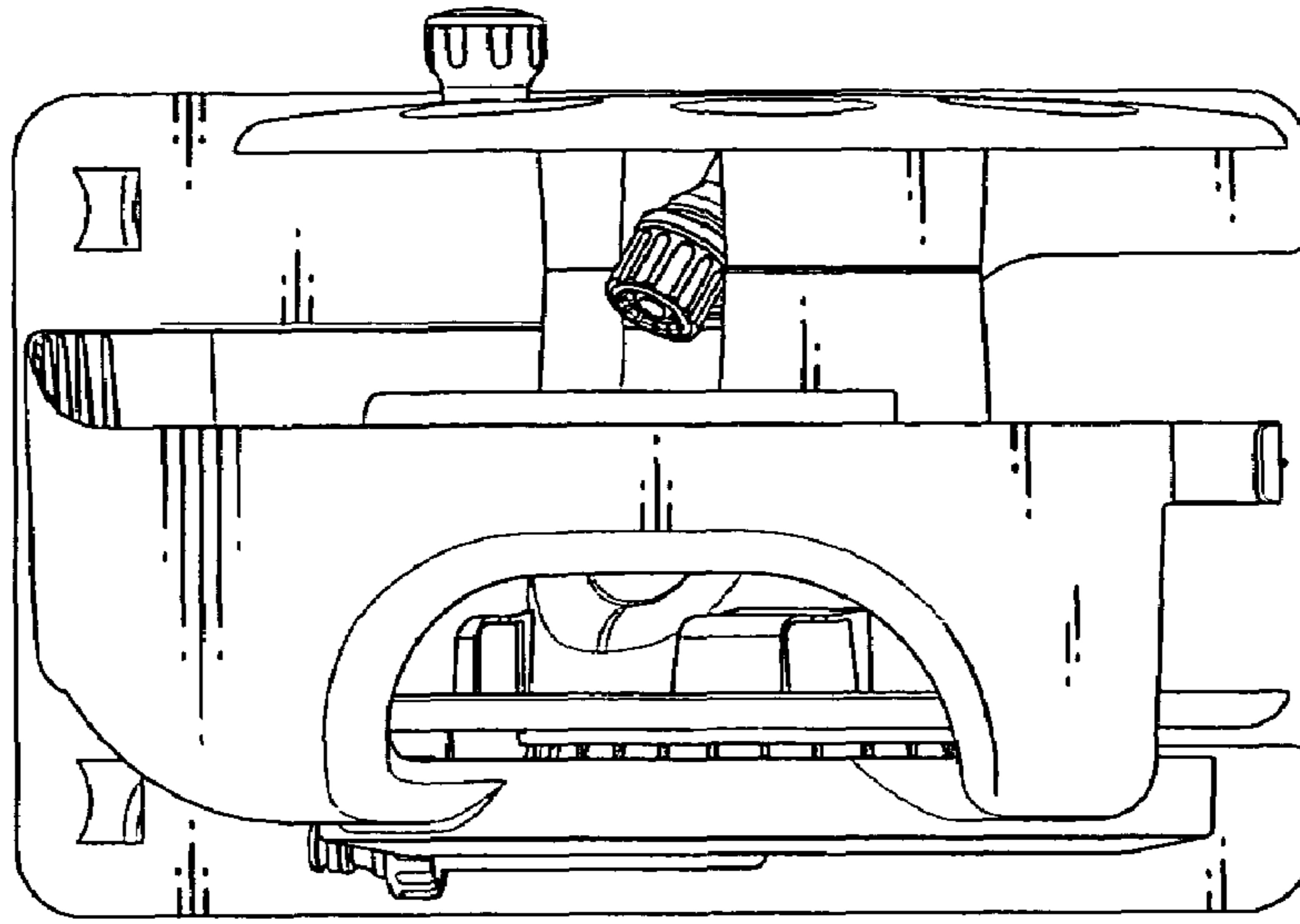


FIG. 6

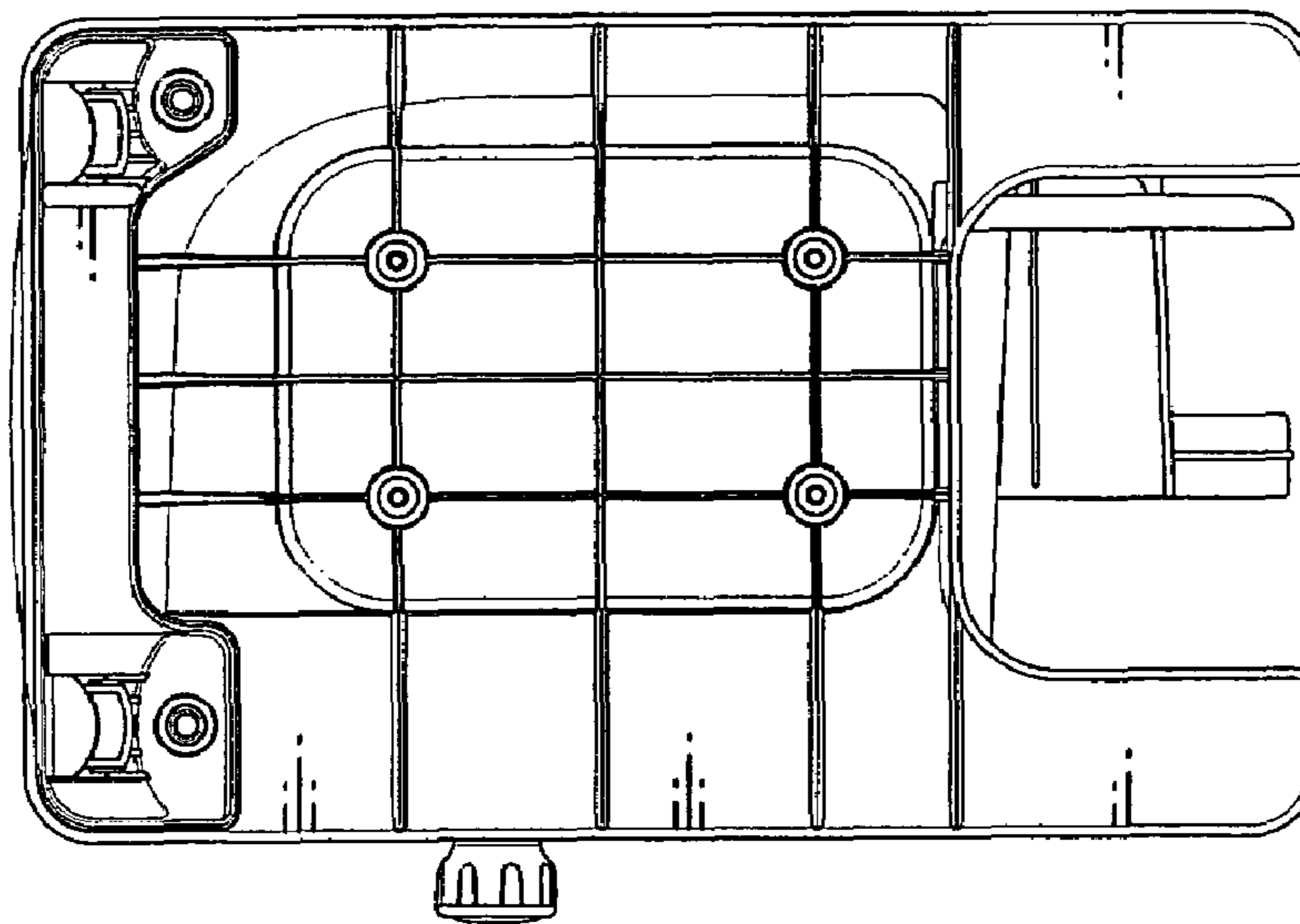


FIG. 7

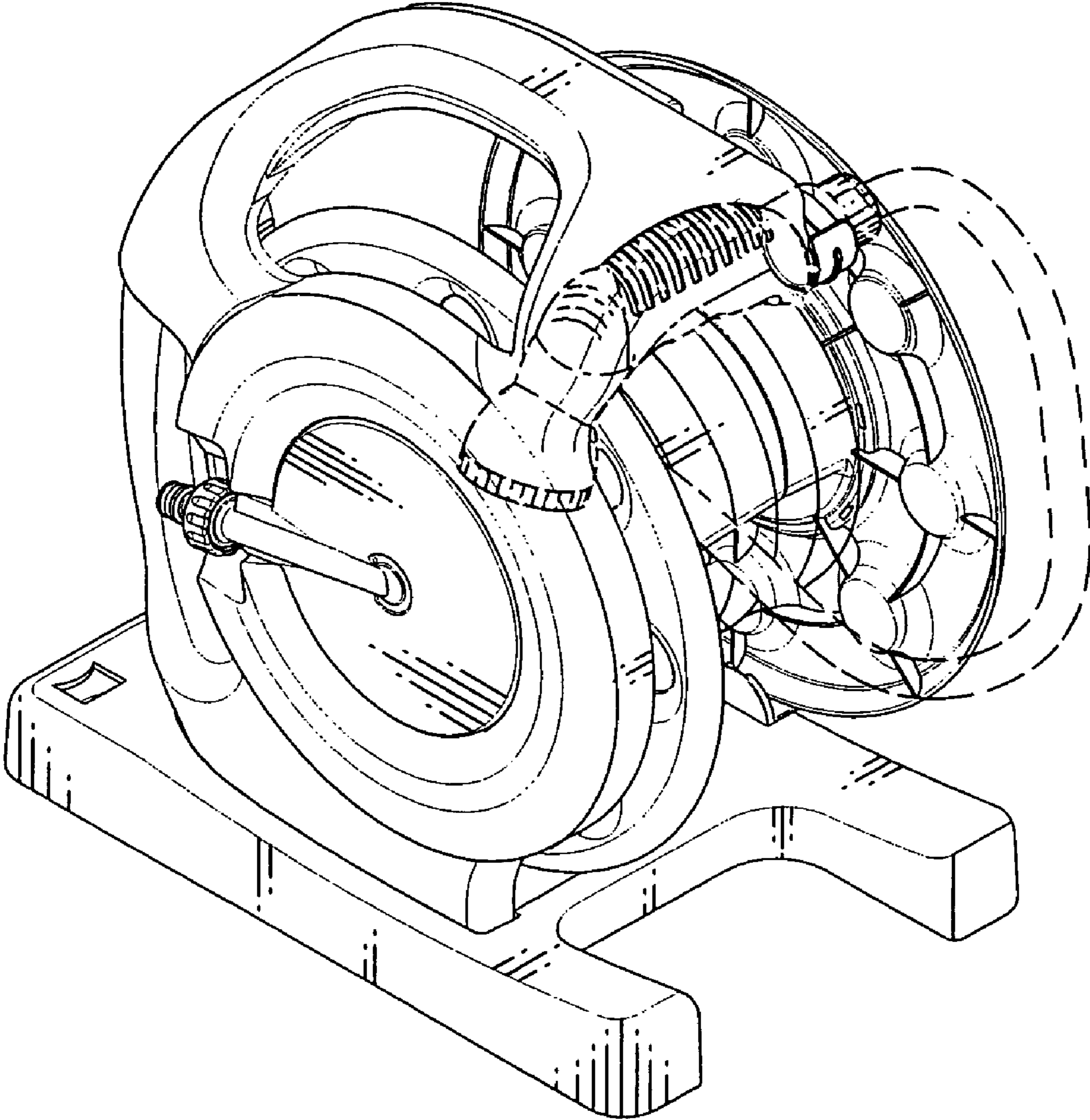


FIG. 8