



US00D559083S

(12) **United States Design Patent**
Brassard

(10) **Patent No.:** **US D559,083 S**

(45) **Date of Patent:** **** Jan. 8, 2008**

(54) **ADAPTER PLATE**

(75) **Inventor:** **Paul Brassard**, Arcadia, CA (US)

(73) **Assignee:** **Arkon Resources, Inc.**, Arcadia, CA (US)

(**) **Term:** **14 Years**

(21) **Appl. No.:** **29/271,808**

(22) **Filed:** **Jan. 26, 2007**

(51) **LOC (8) Cl.** **08-05**

(52) **U.S. Cl.** **D8/354**

(58) **Field of Classification Search** D8/354,
D8/349; D14/217; 248/200, 300, 634, 678
See application file for complete search history.

(56) **References Cited**

U.S. PATENT DOCUMENTS

5,558,804 A *	9/1996	Doss-Desouza	248/634
D427,888 S *	7/2000	Hannon	D8/354
D505,856 S *	6/2005	Kim et al.	D8/353

* cited by examiner

Primary Examiner—Holly H. Baynham

(74) *Attorney, Agent, or Firm*—Christie, Parker & Hale, LLP

(57) **CLAIM**

The ornamental design for adapter plate, as shown and described.

DESCRIPTION

FIG. 1 is a perspective view showing my new design;

FIG. 2 is a top view;

FIG. 3 is a front view;

FIG. 4 is right side view;

FIG. 5 is a rear view;

FIG. 6 is a left side view;

FIG. 7 is a perspective view of an alternative embodiment of my new design;

FIG. 8 is a top view of FIG. 7;

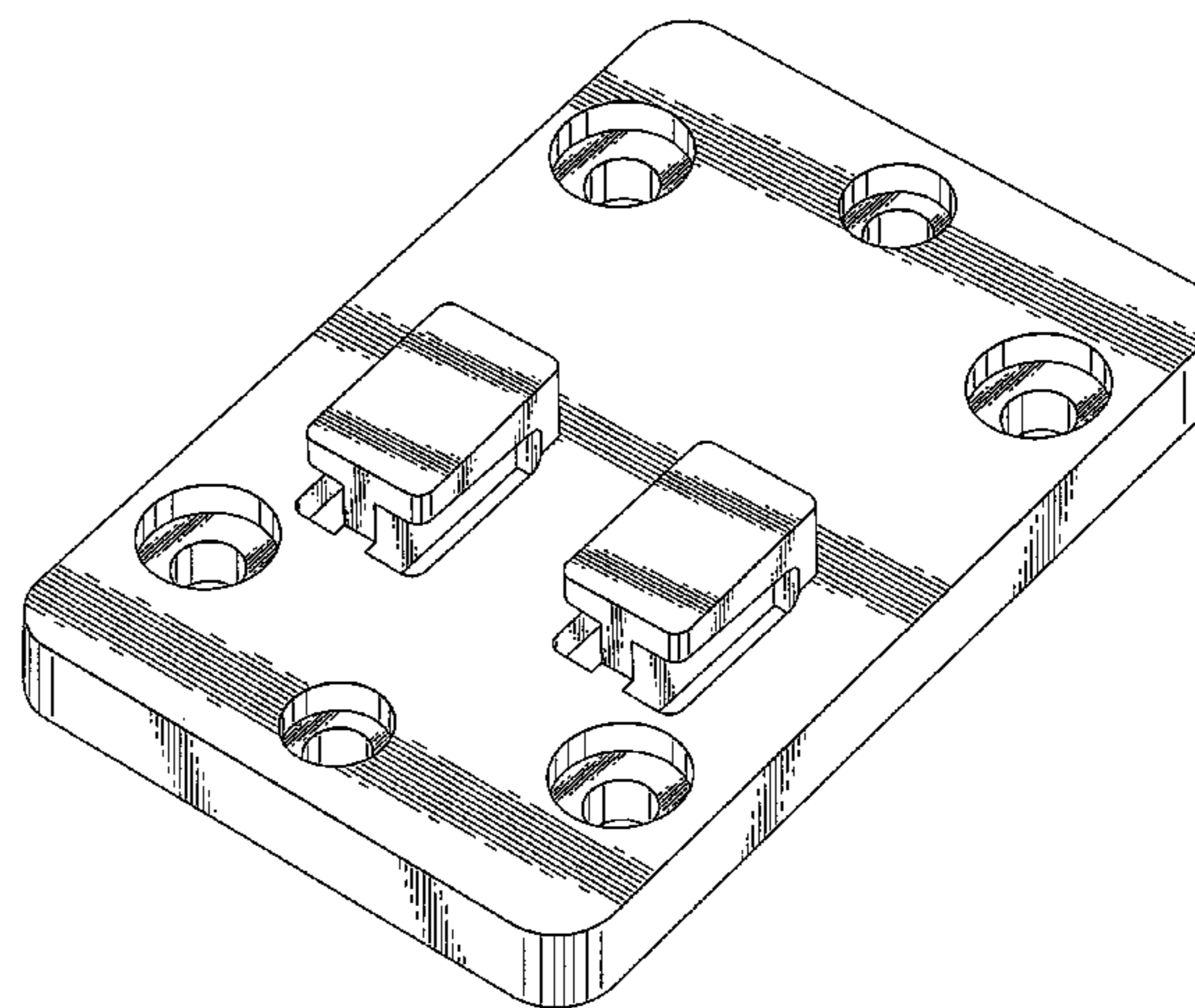
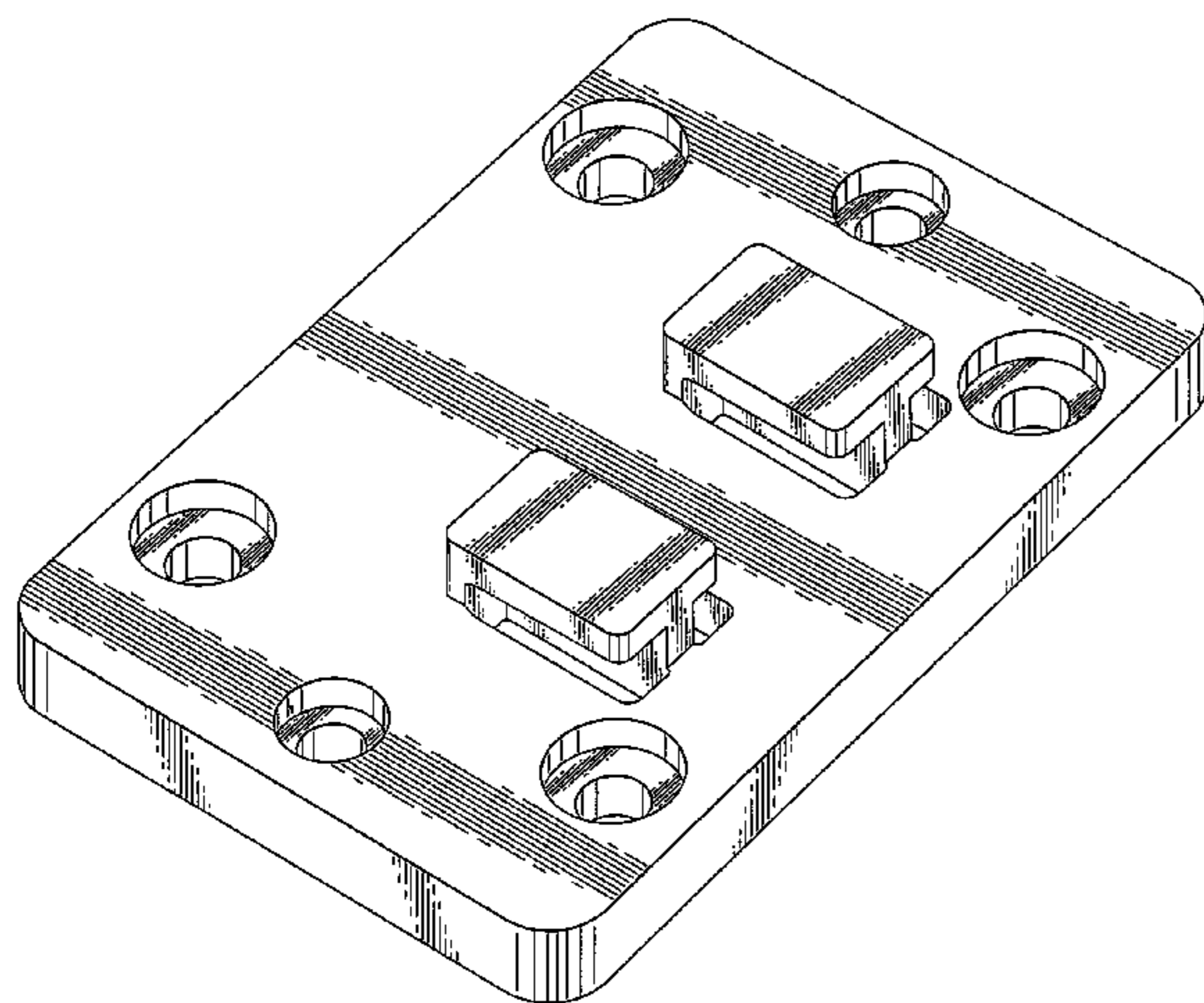
FIG. 9 is a front view of FIG. 7;

FIG. 10 is a right side view of FIG. 7;

FIG. 11 is a rear view of FIG. 7; and,

FIG. 12 is a left side view of FIG. 7.

1 Claim, 6 Drawing Sheets



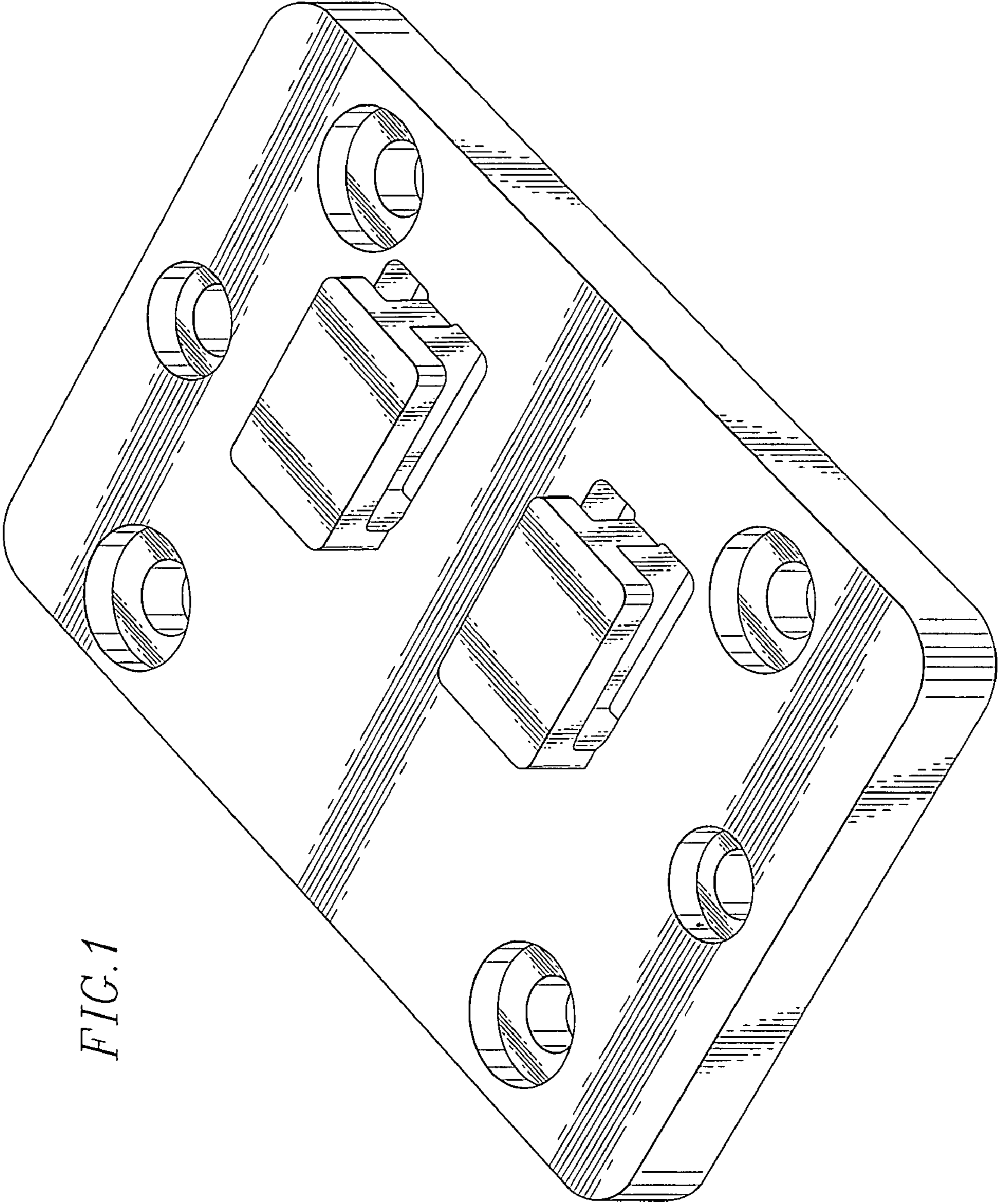


FIG. 1

FIG. 2

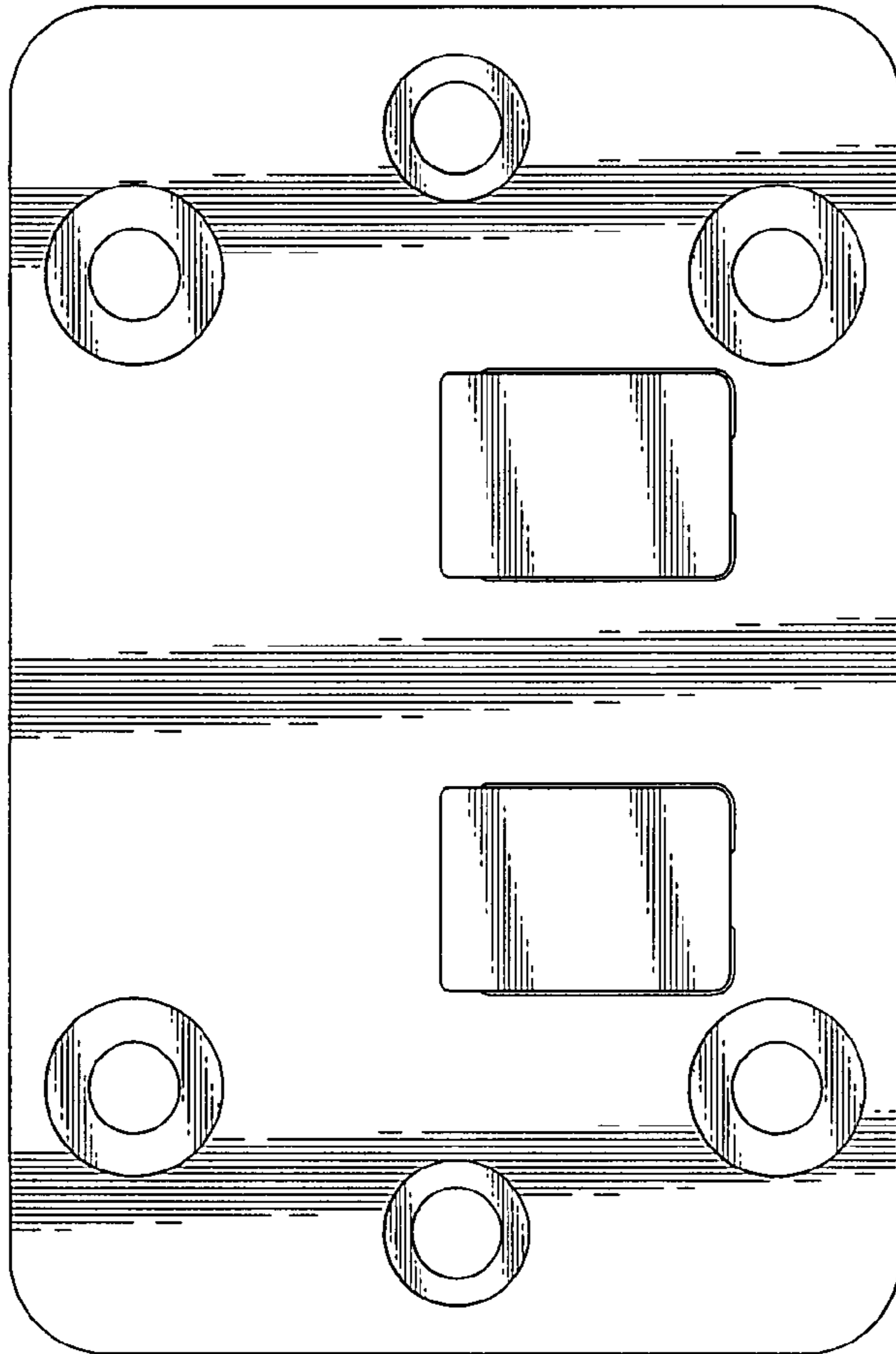


FIG. 3

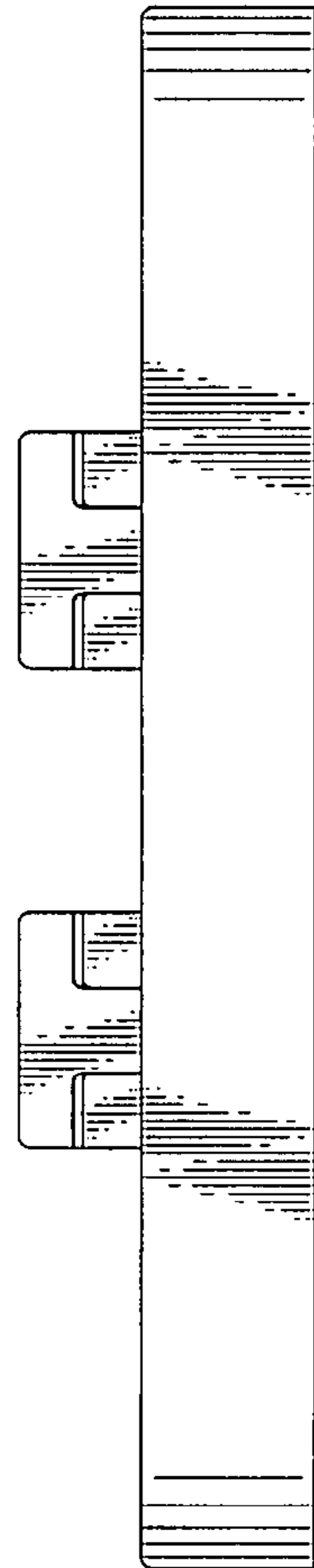


FIG. 4

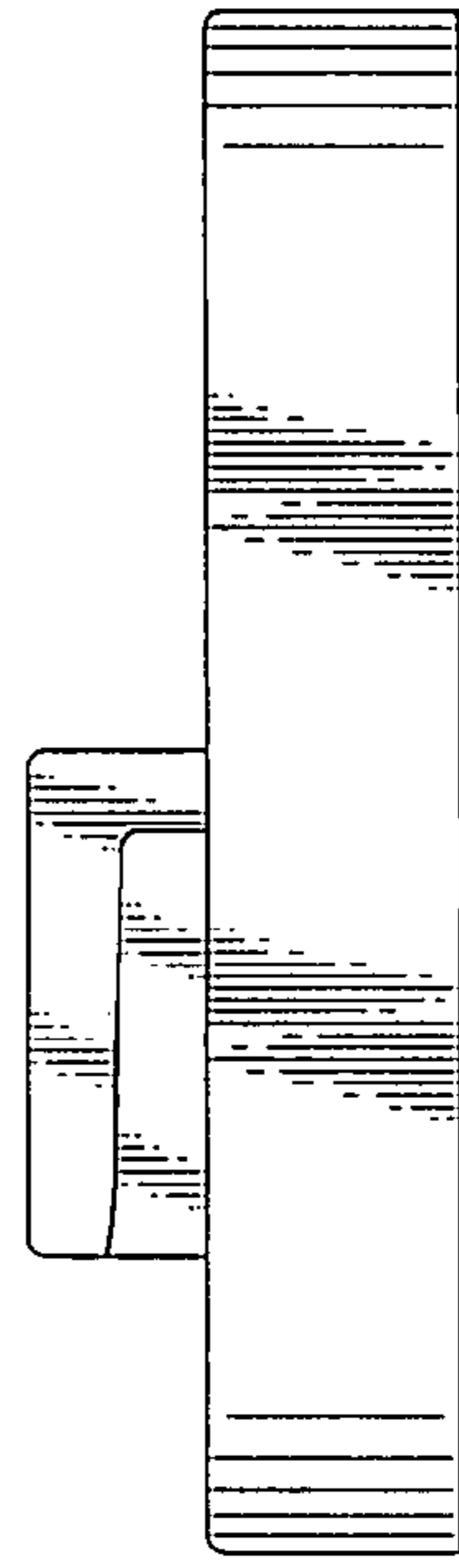


FIG. 6

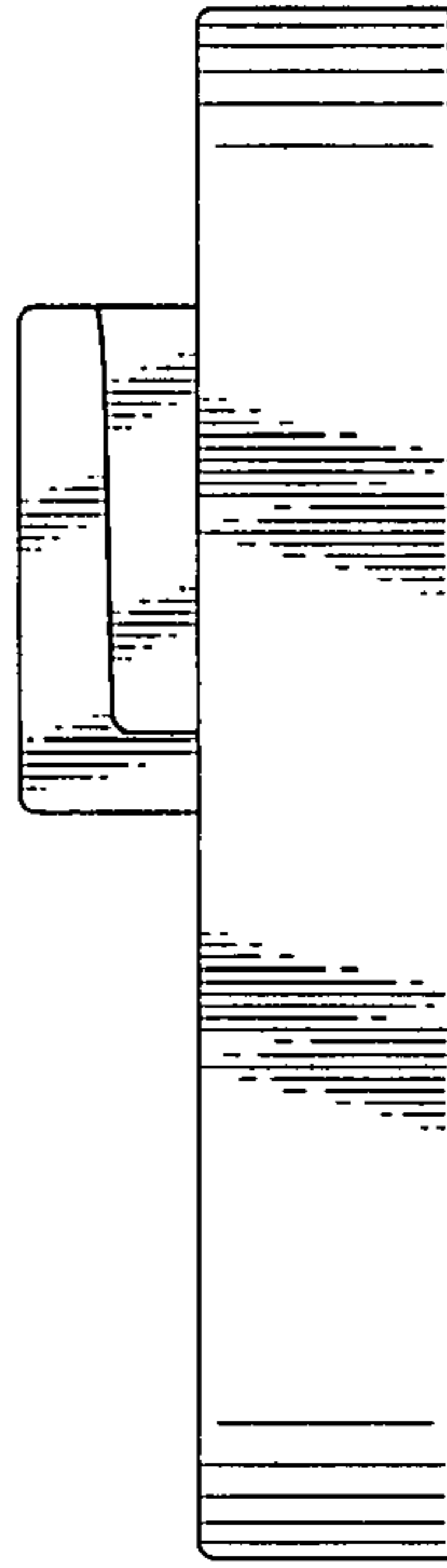
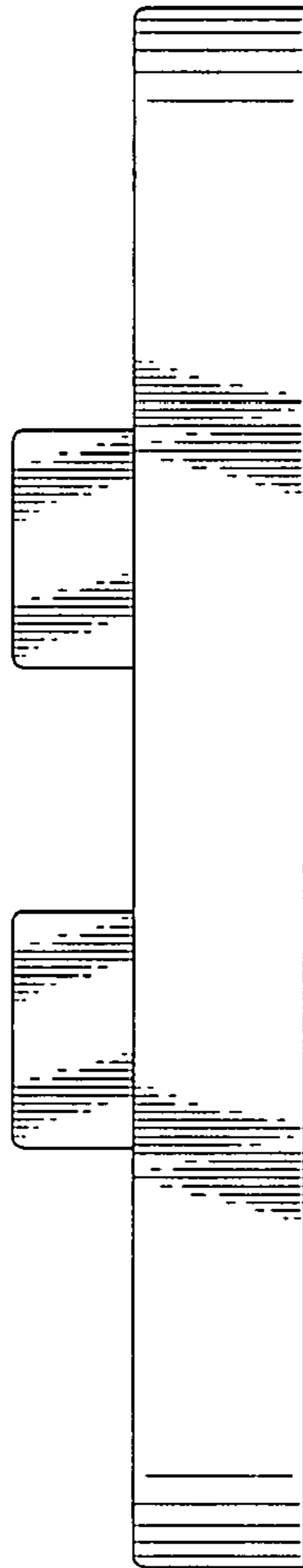


FIG. 5



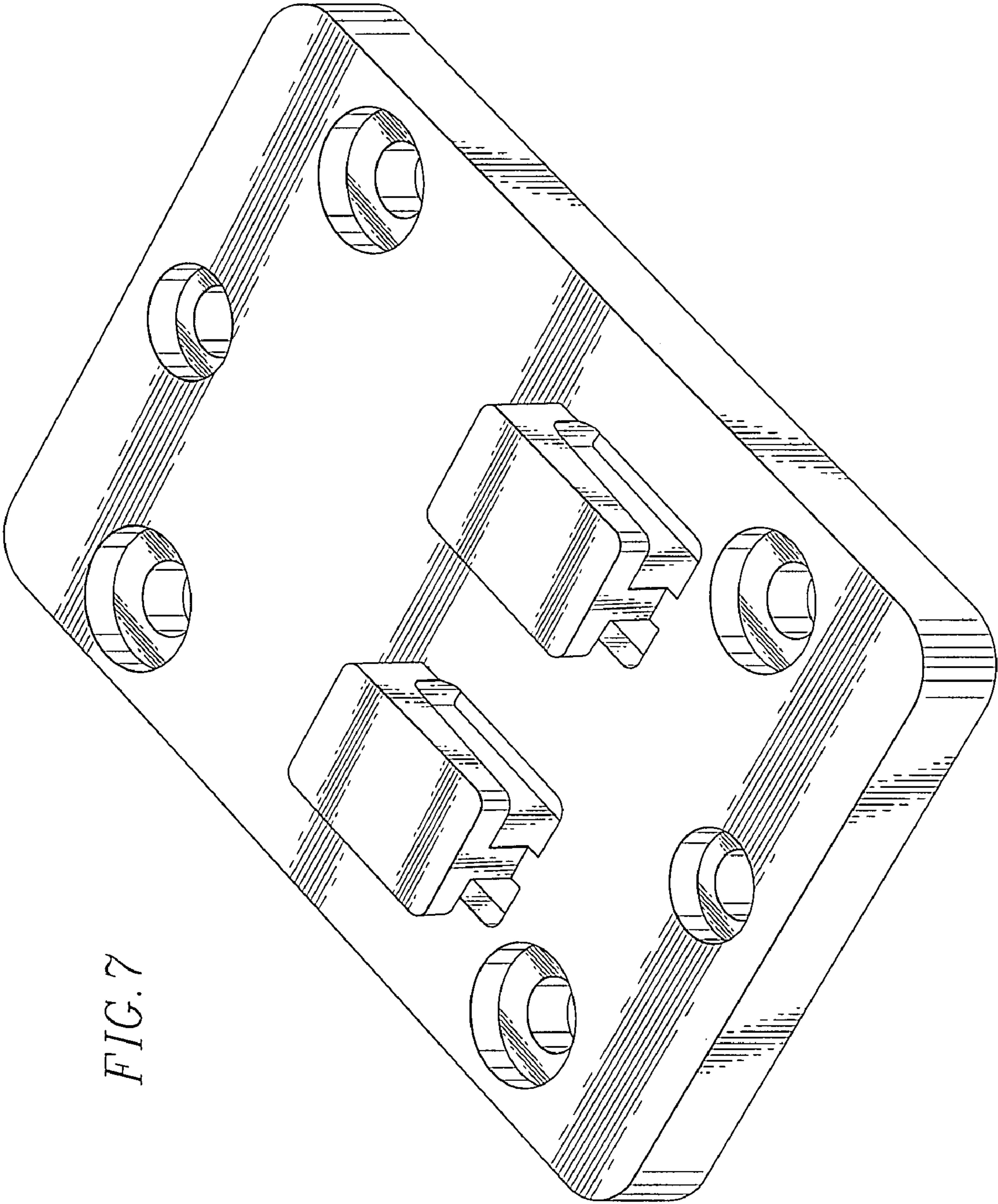


FIG. 7

FIG. 8

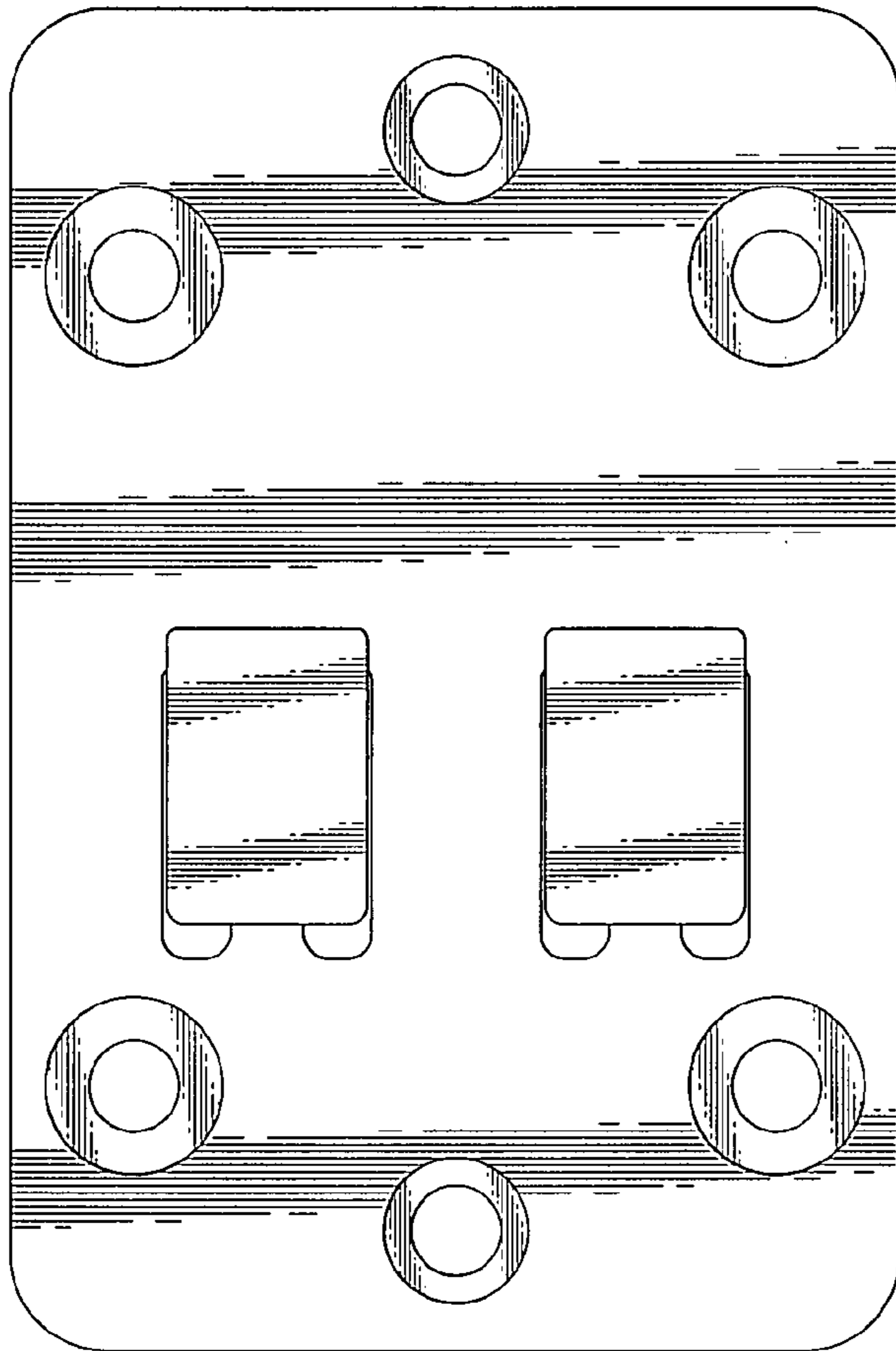


FIG. 9

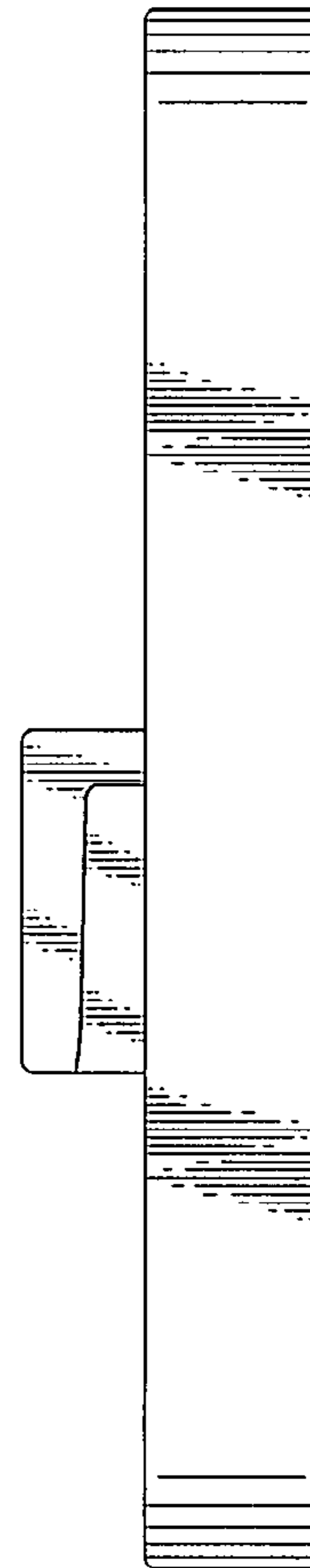


FIG. 10



FIG.12

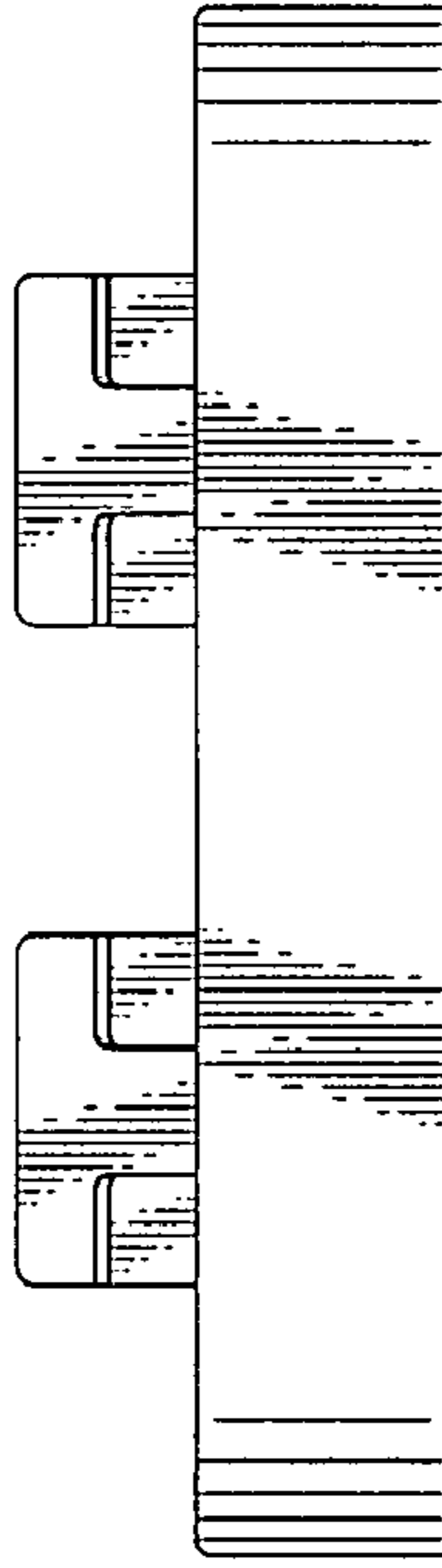


FIG.11

