

US00D559082S

(12) **United States Design Patent**  
**Crooks**

(10) **Patent No.:** **US D559,082 S**

(45) **Date of Patent:** **\*\* Jan. 8, 2008**

(54) **TV CABINET BRACKET**

D541,138 S \* 4/2007 Whalen et al. .... D8/354

(75) Inventor: **Timothy K. Crooks**, Winston Salem,  
NC (US)

\* cited by examiner

*Primary Examiner*—Holly H. Baynham

(73) Assignee: **Hughes Supply and Manufacturing**  
**Company of Thomasville, Inc.**

(57) **CLAIM**

(\*\*) Term: **14 Years**

The ornamental design for a TV cabinet bracket, as shown  
and described.

(21) Appl. No.: **29/264,920**

(22) Filed: **Aug. 21, 2006**

**DESCRIPTION**

(51) **LOC (8) Cl.** ..... **08-05**

FIG. 1 is a top, front, right side perspective view of a TV  
cabinet bracket embodying my design;

(52) **U.S. Cl.** ..... **D8/354**

FIG. 2 is a front elevational view thereof, the rear elevational  
view being a mirror image thereof;

(58) **Field of Classification Search** ..... D8/349,  
D8/354; 312/334.4; 248/222.13

FIG. 3 is a right side elevational view thereof, the left side  
elevational view being a mirror image thereof;

See application file for complete search history.

FIG. 4 is a top plan view thereof; and,

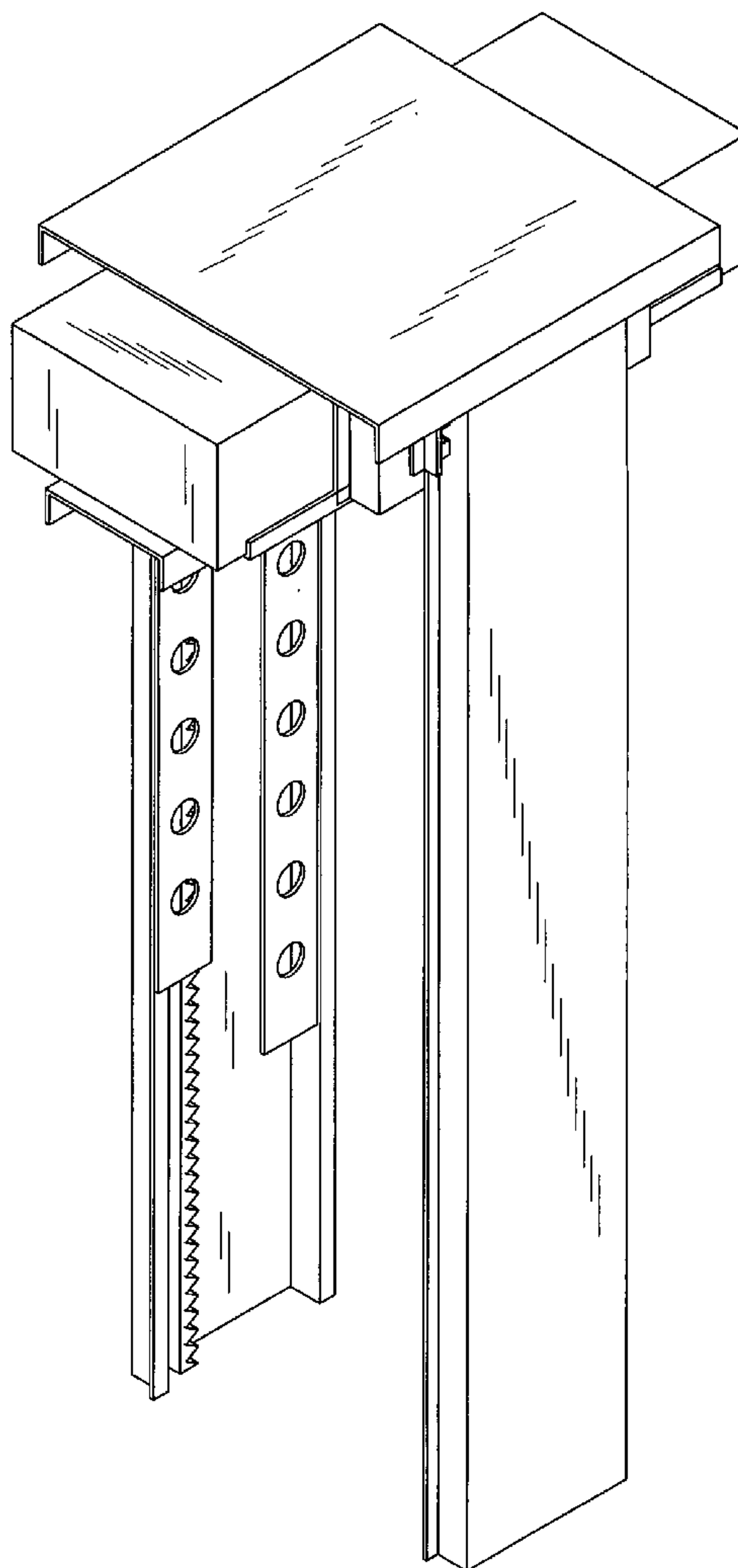
(56) **References Cited**

FIG. 5 is a bottom plan view thereof.

**U.S. PATENT DOCUMENTS**

5,941,621 A \* 8/1999 Boulay et al. .... 312/334.4

**1 Claim, 4 Drawing Sheets**



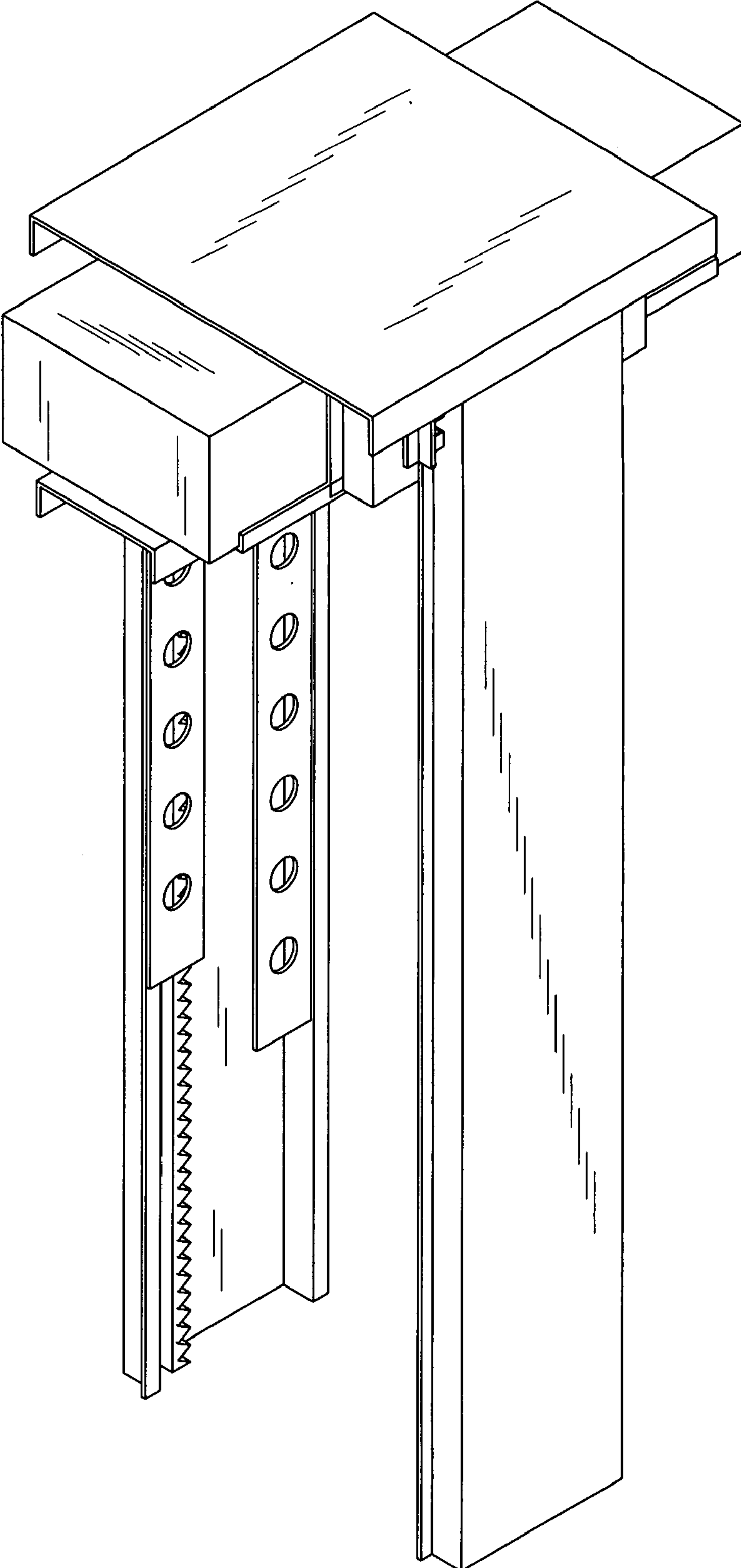


FIG. 1

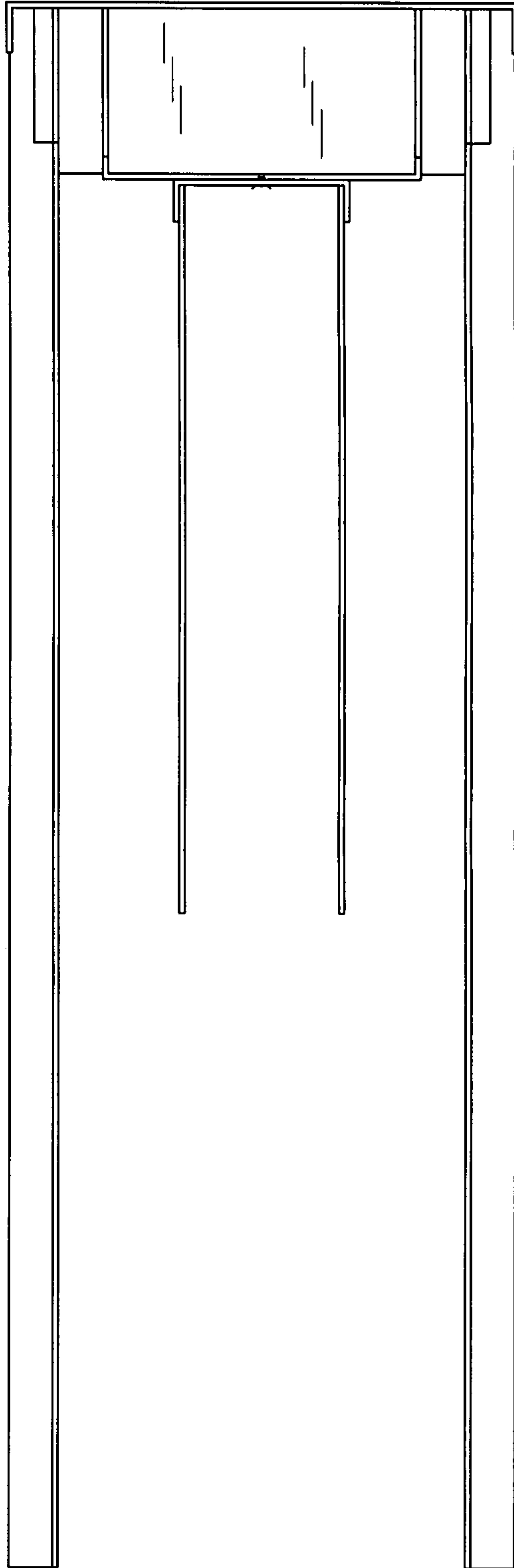


FIG. 2

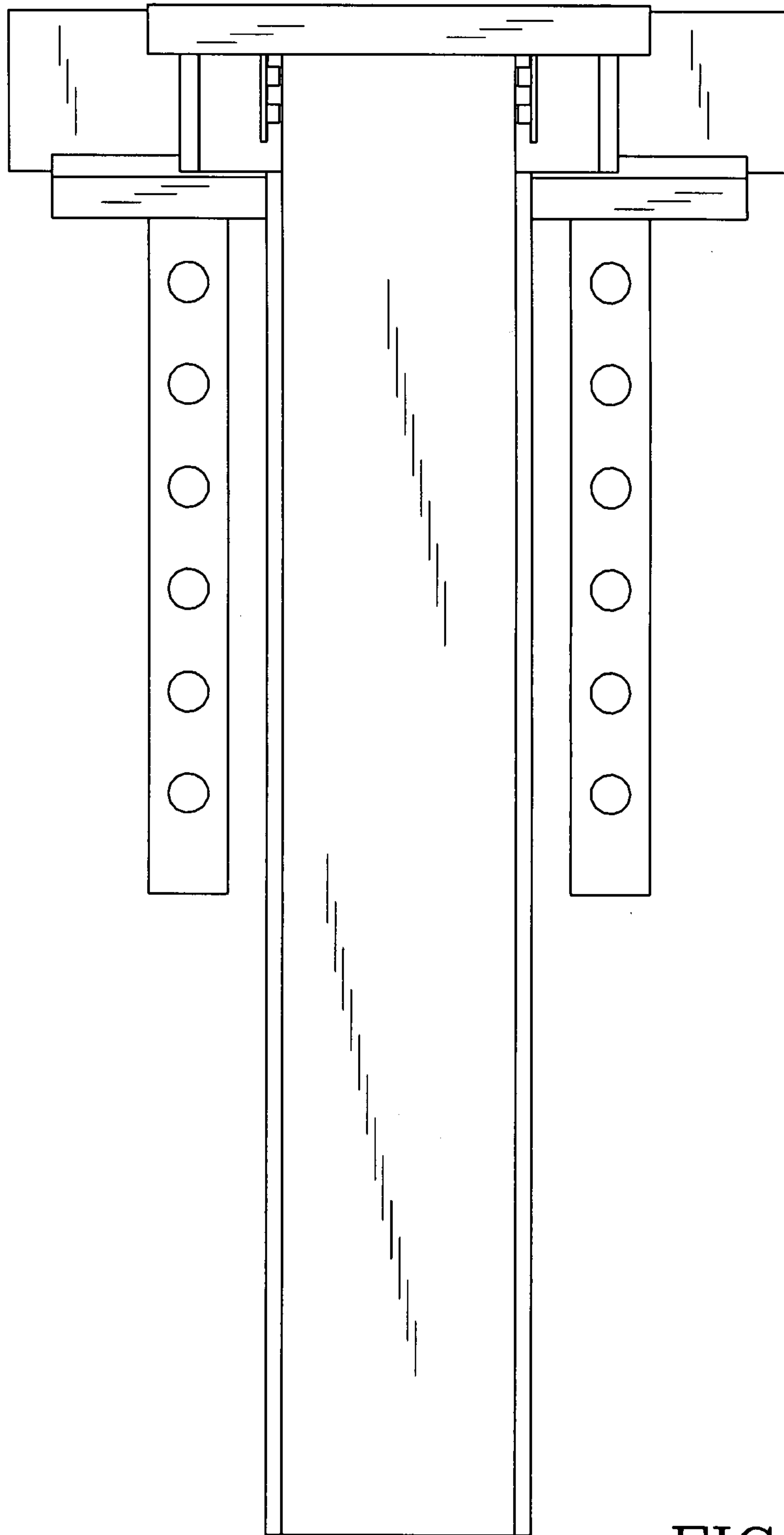


FIG. 3

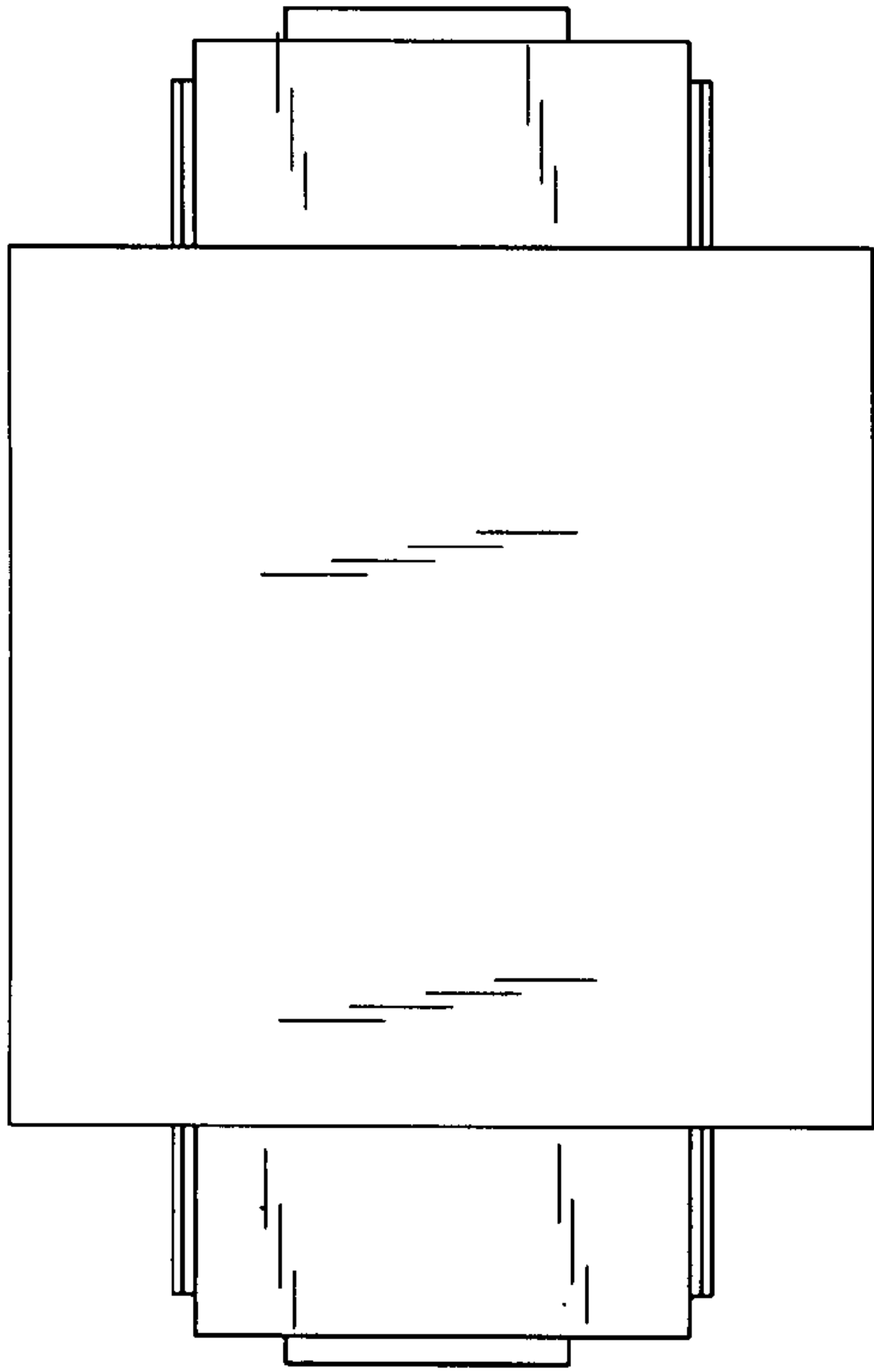


FIG. 4

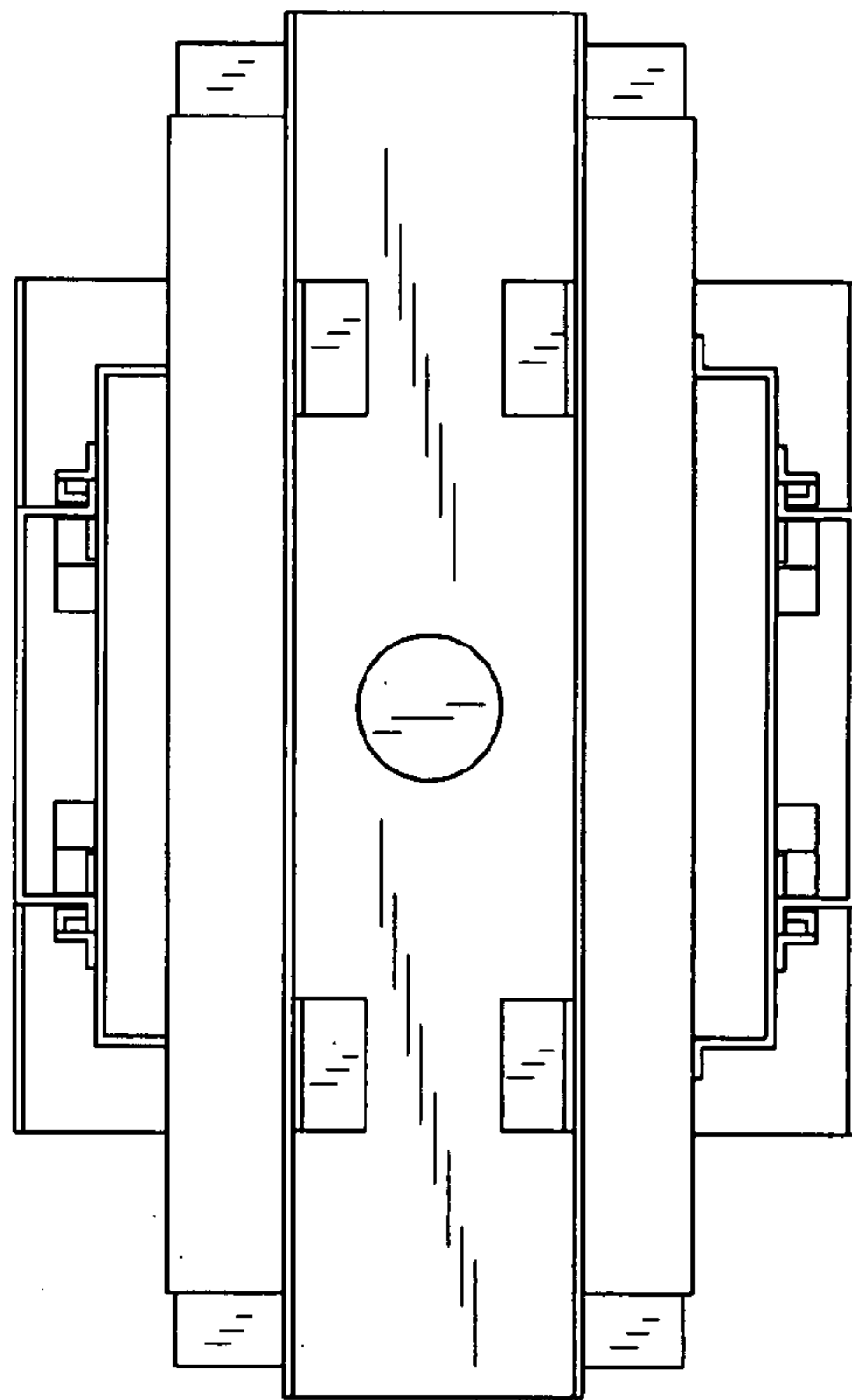


FIG. 5