



US00D559081S

(12) **United States Design Patent**
Myers

(10) **Patent No.:** **US D559,081 S**

(45) **Date of Patent:** **** Jan. 8, 2008**

(54) **UNIVERSAL SUPPORT BRACKET FOR PNEUMATIC NAIL GUN WITH GUARD**

D520,322 S * 5/2006 Orlando D8/70
D543,834 S * 6/2007 Worthy D8/354

(76) Inventor: **Thomas Myers**, 6348 S. Emporia Cir., Englewood, CO (US) 80111

* cited by examiner

Primary Examiner—Holly H. Baynham

(**) Term: **14 Years**

(74) *Attorney, Agent, or Firm*—John E. Reilly; Ellen Reilly; The Reilly Intellectual Property Law Firm, P.C.

(21) Appl. No.: **29/258,687**

(57) **CLAIM**

(22) Filed: **Apr. 25, 2006**

The ornamental design for universal support bracket for pneumatic nail gun with guard, as shown and described.

(51) **LOC (8) Cl.** **08-05**

(52) **U.S. Cl.** **D8/354**

(58) **Field of Classification Search** D8/354,
D8/366, 371, 349; 248/200, 300, 301, 304
See application file for complete search history.

DESCRIPTION

FIG. 1 is a top perspective view of the preferred form of support bracket showing my new design;

FIG. 2 is a bottom perspective view thereof;

FIG. 3 is a front view thereof;

FIG. 4 is a rear view thereof;

FIG. 5 is a right side view thereof;

FIG. 6 is a left side view thereof;

FIG. 7 is a top plan view thereof; and,

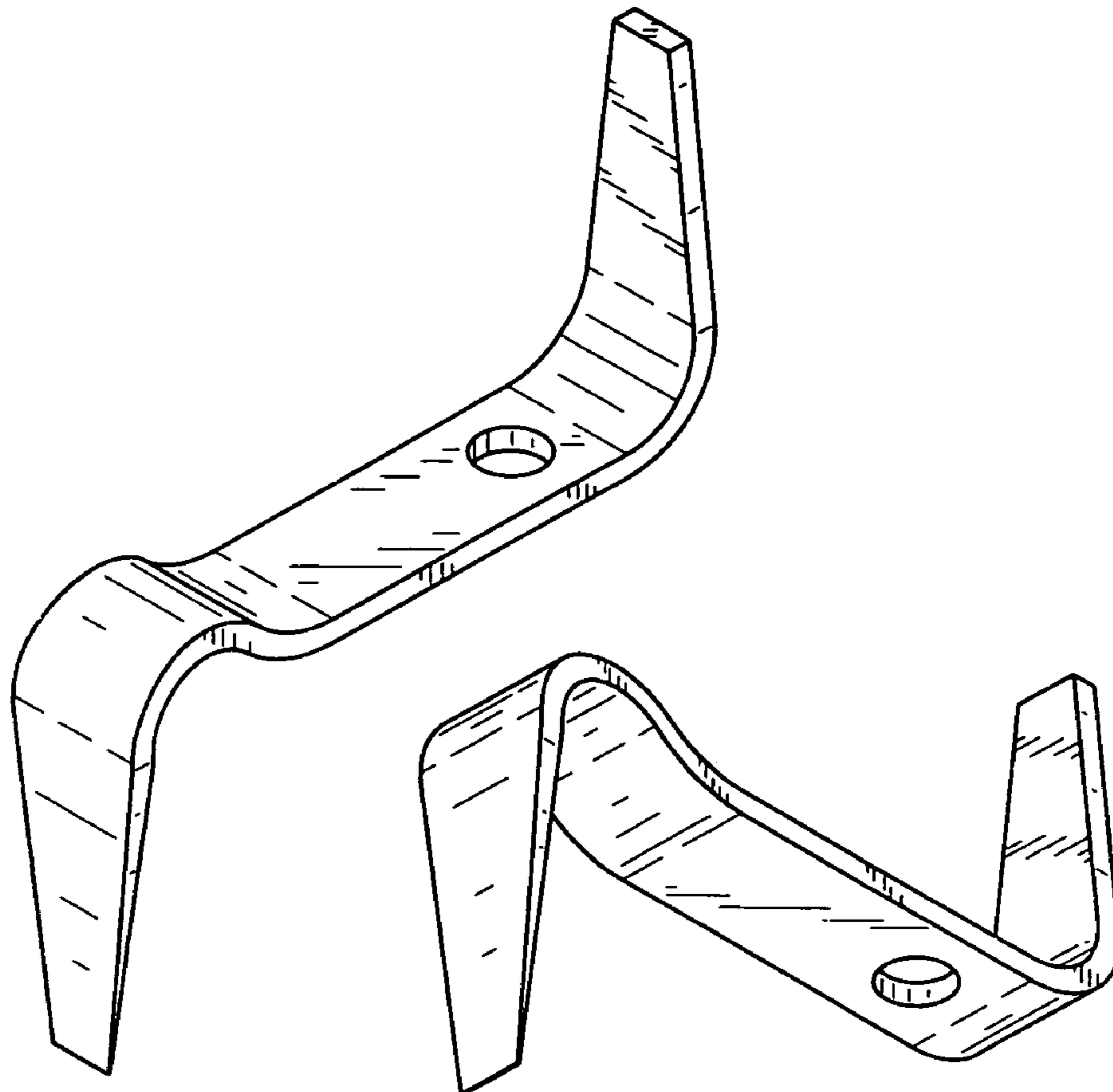
FIG. 8 is a bottom plan view thereof.

(56) **References Cited**

U.S. PATENT DOCUMENTS

2,142,868	A *	1/1939	Di Vincenzo	248/274.1
3,199,823	A *	8/1965	Stall	248/265
D265,285	S *	7/1982	Englert, Jr.	D8/354
D301,975	S *	7/1989	Mullen	D8/371
D325,564	S *	4/1992	Lemke	D13/154
D360,544	S *	7/1995	Gauthier	D6/411
D415,950	S *	11/1999	Anderson	D8/354
6,131,863	A *	10/2000	Fiacco	248/200

1 Claim, 4 Drawing Sheets



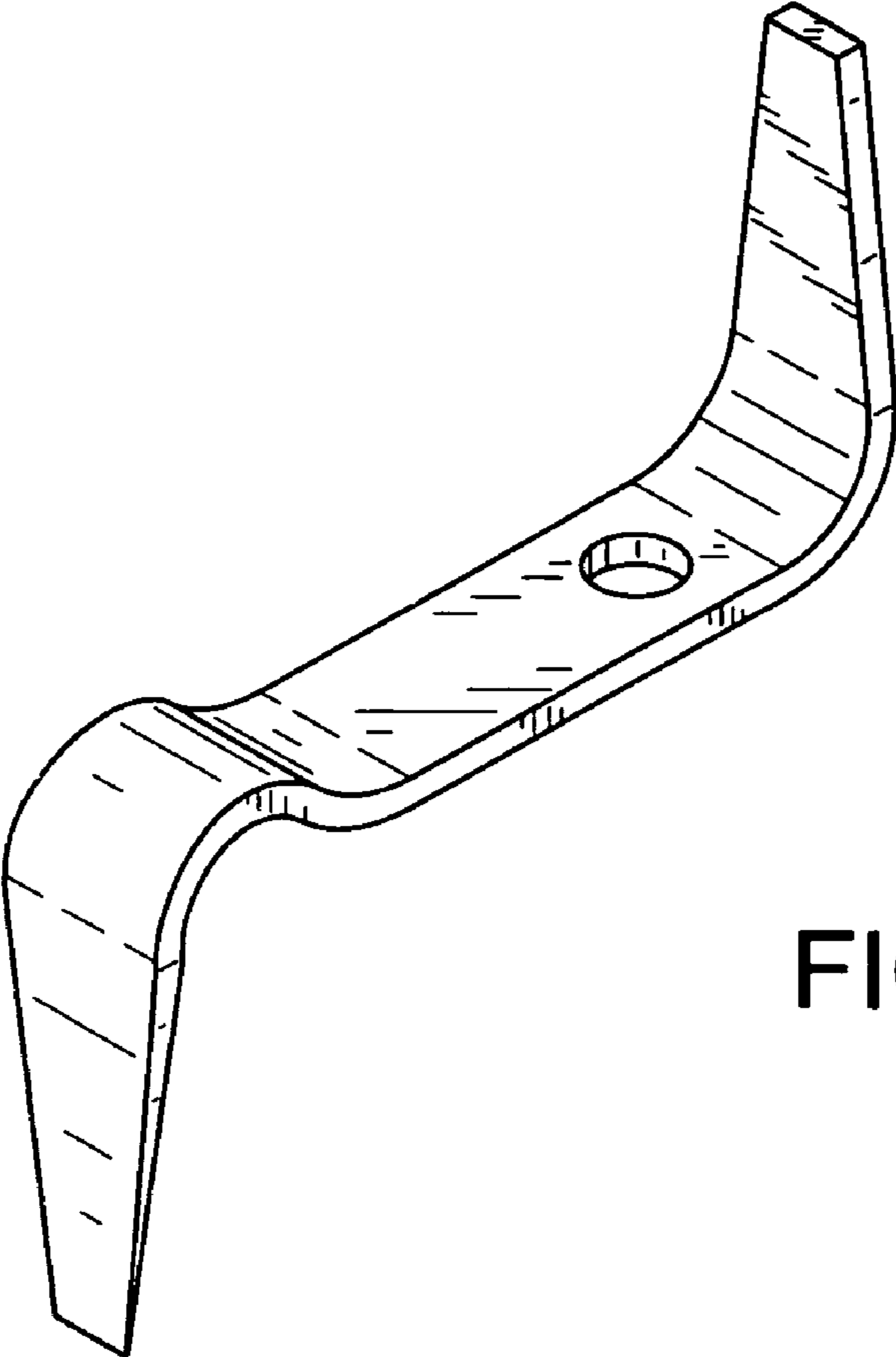


FIG.1

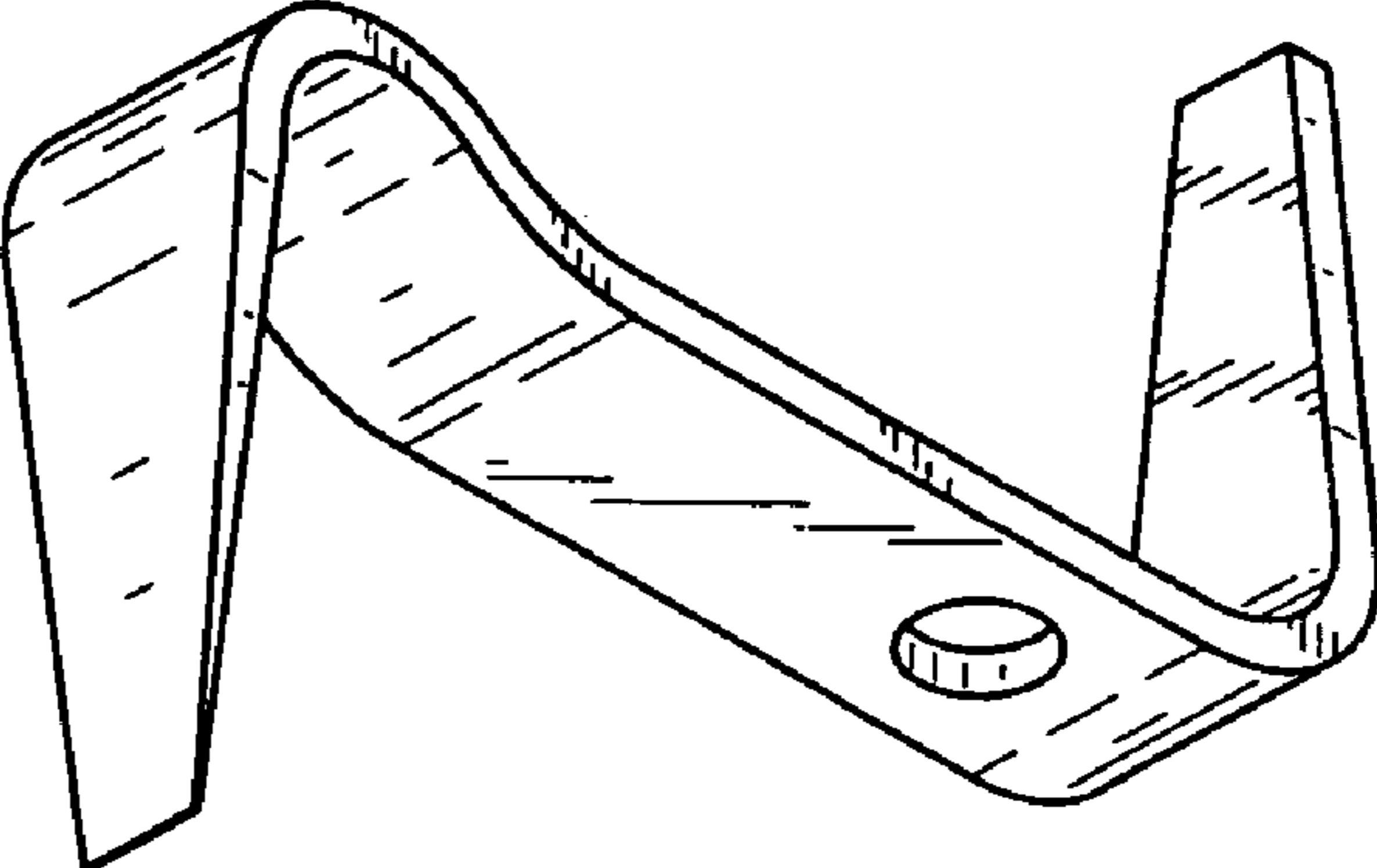


FIG.2

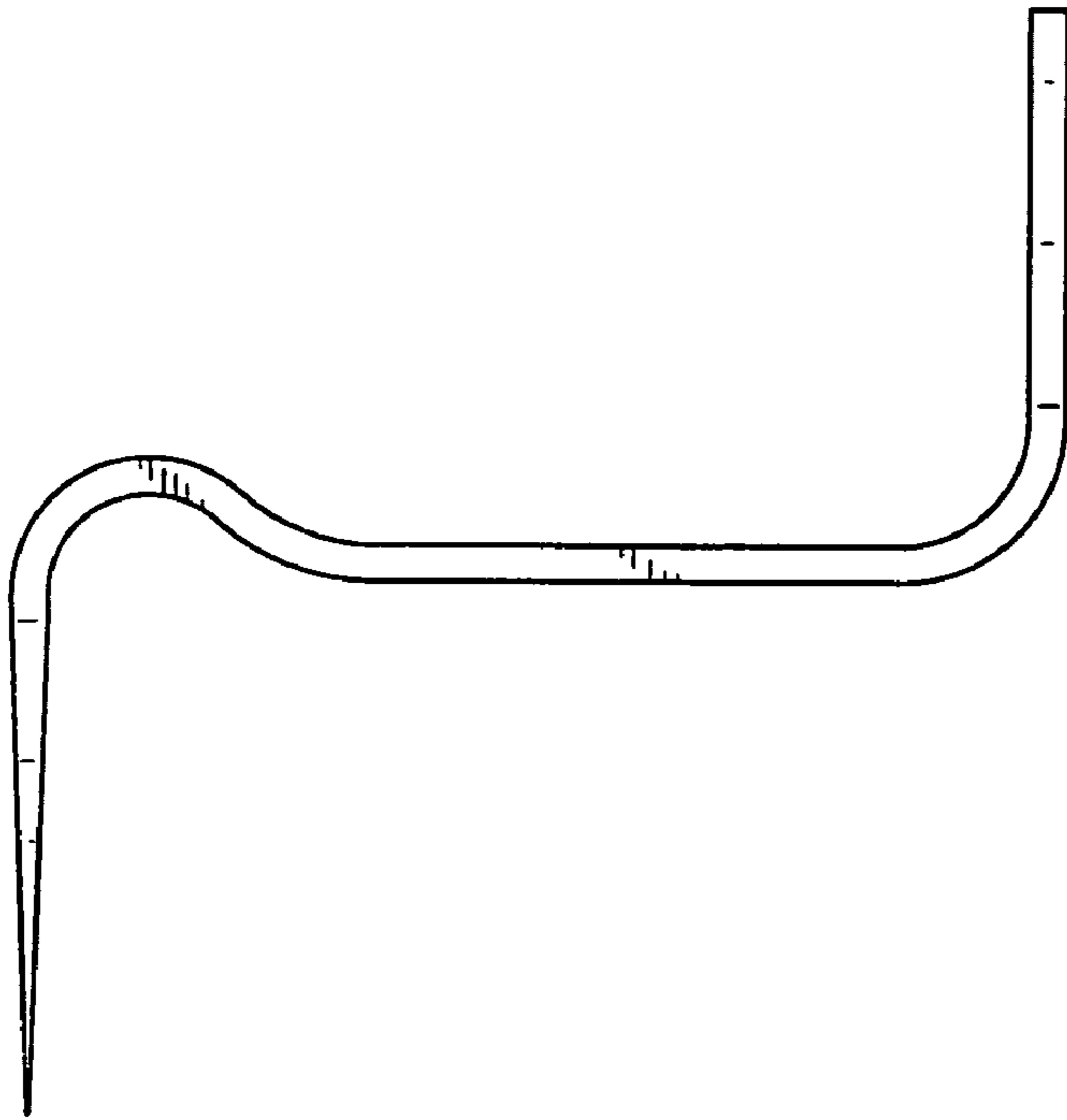


FIG.3

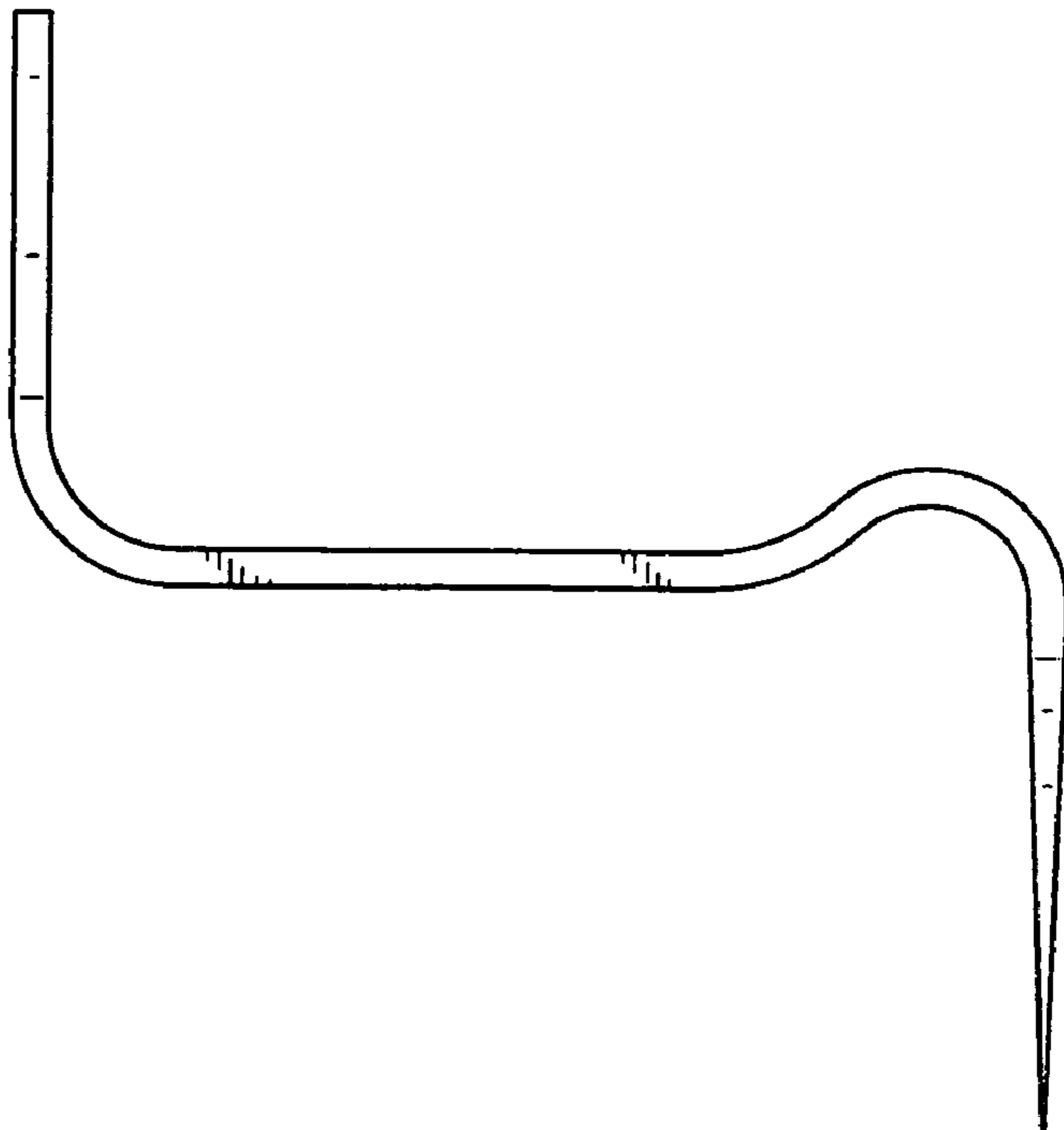


FIG.4



FIG.5



FIG.6

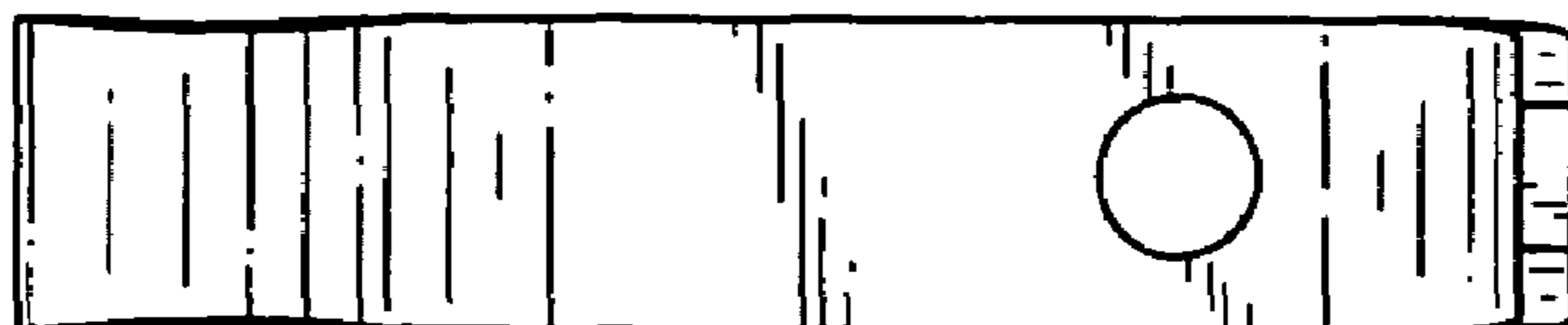


FIG. 7

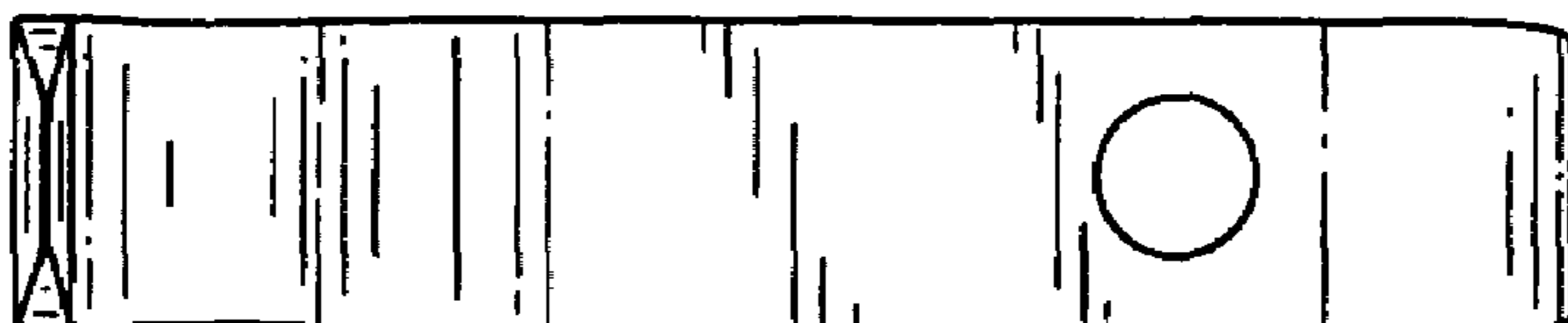


FIG. 8