



US00D559076S

(12) **United States Design Patent**  
**Allen**

(10) **Patent No.:** **US D559,076 S**  
(45) **Date of Patent:** **\*\* Jan. 8, 2008**

(54) **NOTEBOOK COMPUTER LOCK**

(76) **Inventor:** **Peter Allen**, 15 Berry Hill Rd., Oyster Bay Cove, NY (US) 11771

(\*\*) **Term:** **14 Years**

(21) **Appl. No.:** **29/268,621**

(22) **Filed:** **Nov. 9, 2006**

(51) **LOC (8) Cl.** ..... **08-07**

(52) **U.S. Cl.** ..... **D8/330**

(58) **Field of Classification Search** ..... D8/330-348;  
70/163, 164, 14, 18, 19, 57, 58; 248/551-553  
See application file for complete search history.

(56) **References Cited**

**U.S. PATENT DOCUMENTS**

|           |      |         |                |         |
|-----------|------|---------|----------------|---------|
| 5,836,183 | A *  | 11/1998 | Derman         | 70/58   |
| 6,216,499 | B1 * | 4/2001  | Ronberg et al. | 70/58   |
| 6,308,928 | B1 * | 10/2001 | Galant         | 248/553 |
| 6,443,417 | B2 * | 9/2002  | Galant         | 248/553 |
| 6,763,690 | B2 * | 7/2004  | Galant         | 70/58   |

\* cited by examiner

*Primary Examiner*—Mitchell Siegel  
(74) *Attorney, Agent, or Firm*—Alfred M. Walker

(57) **CLAIM**

The ornamental design for a notebook computer lock, as shown and described.

**DESCRIPTION**

FIG. 1 is a perspective view of a notebook computer lock, showing my new design, wherein a notebook computer is shown in phantom lines;

FIG. 2 is a top plan view thereof;

FIG. 3 is a front elevation view thereof;

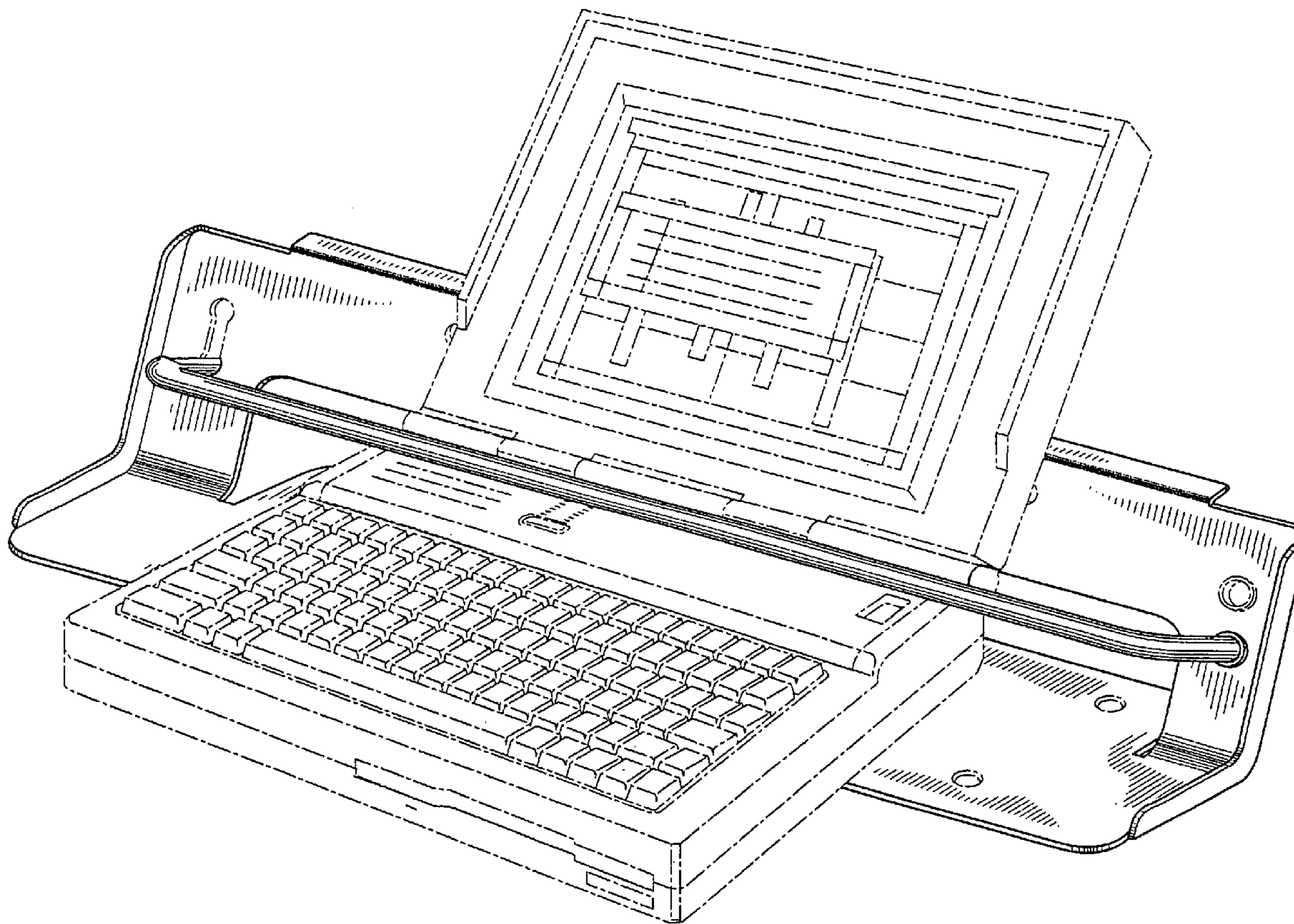
FIG. 4 is a right side elevation view thereof;

FIG. 5 is a left side elevation view thereof; and,

FIG. 6 is a perspective view of the notebook computer lock thereof.

The notebook computer and apertures shown in phantom lines are shown for environmental purposes only, and form no part of the claimed design.

**1 Claim, 4 Drawing Sheets**



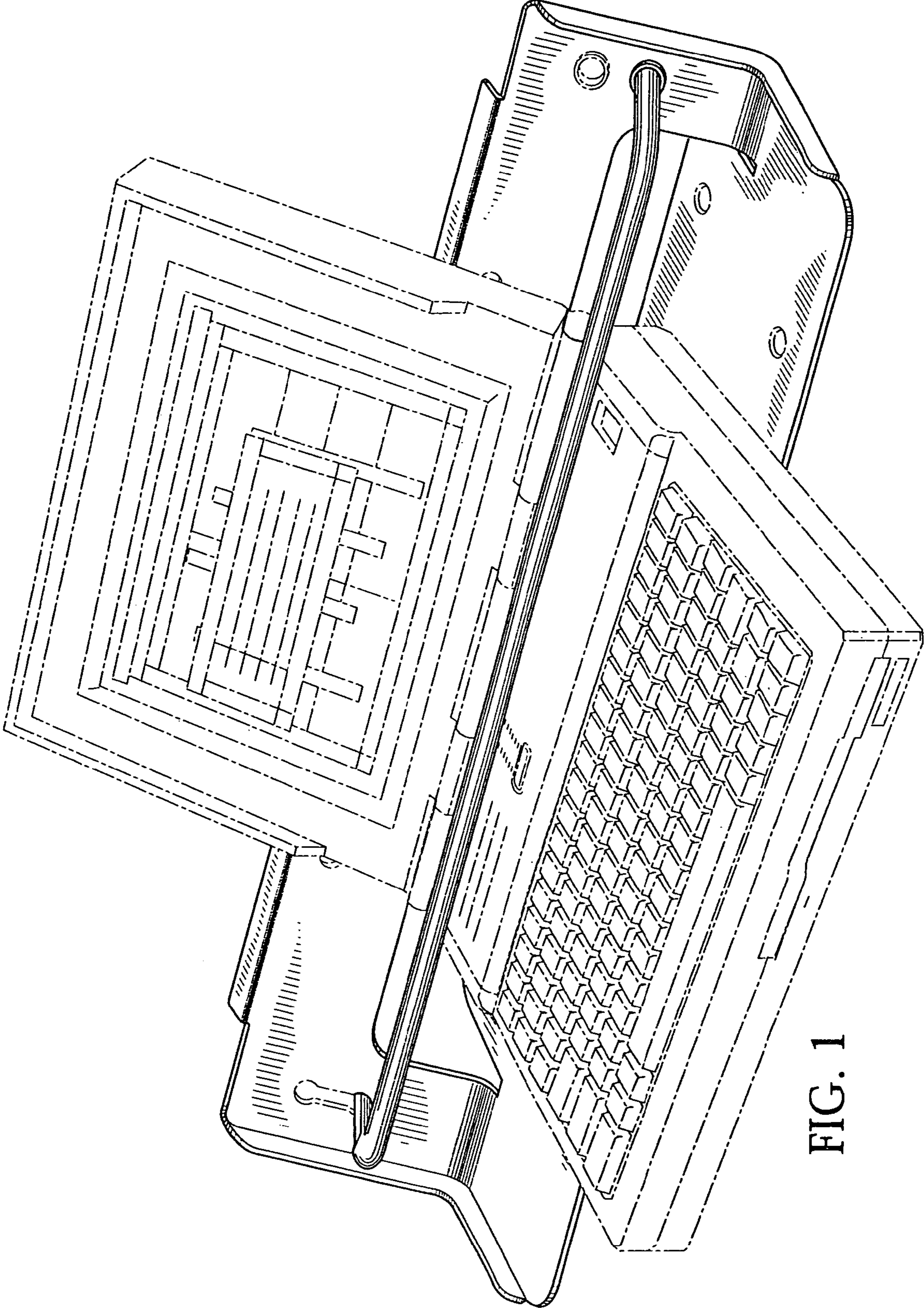


FIG. 1

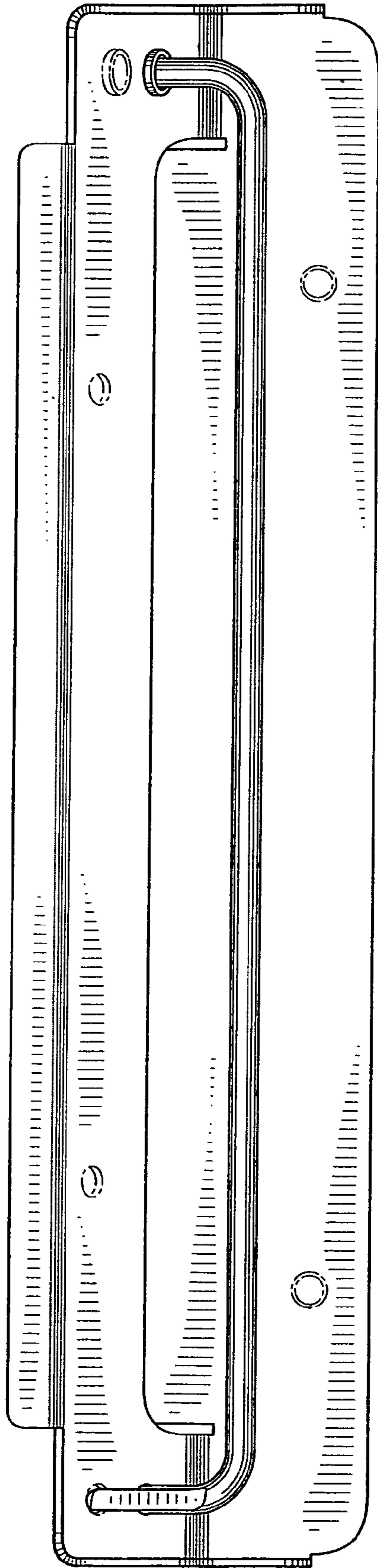


FIG. 2

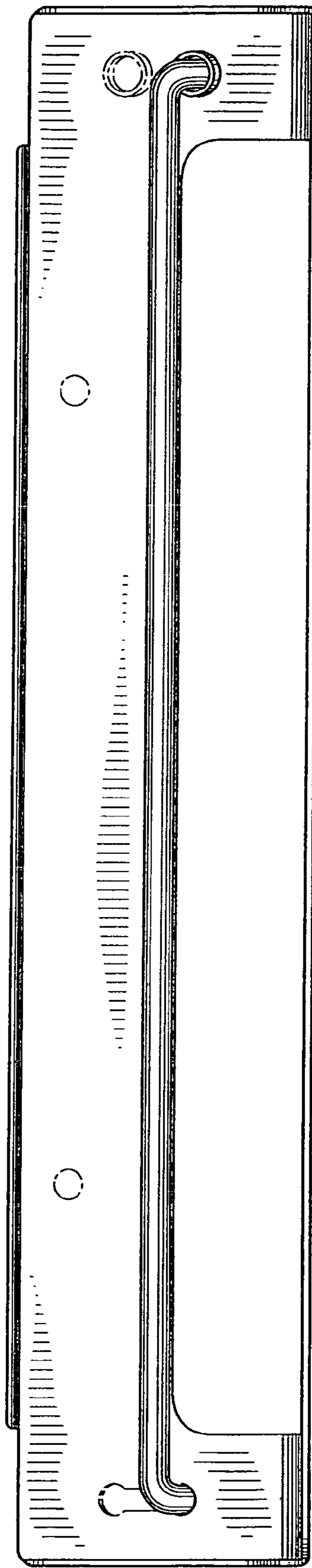


FIG. 3

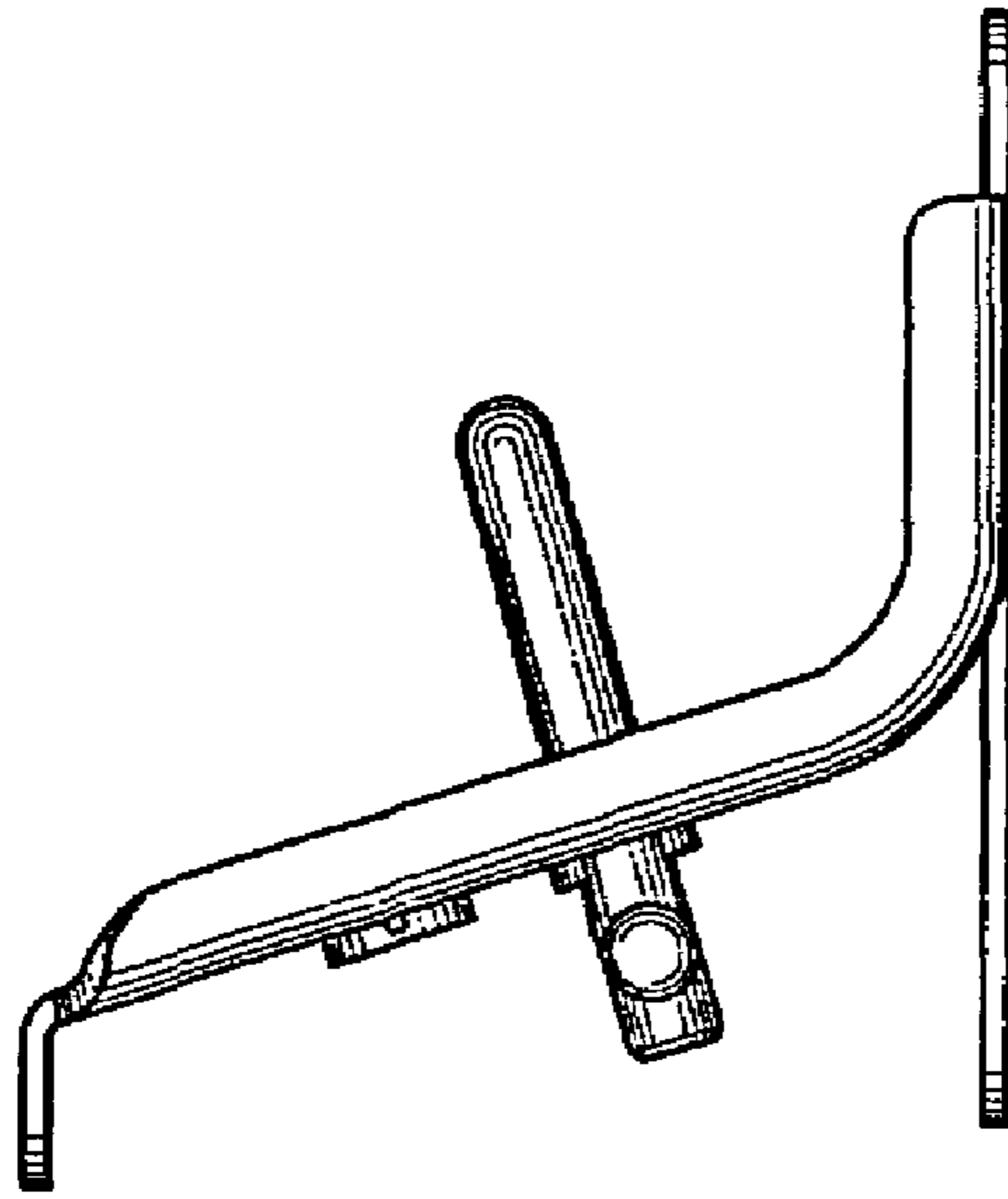


FIG. 5

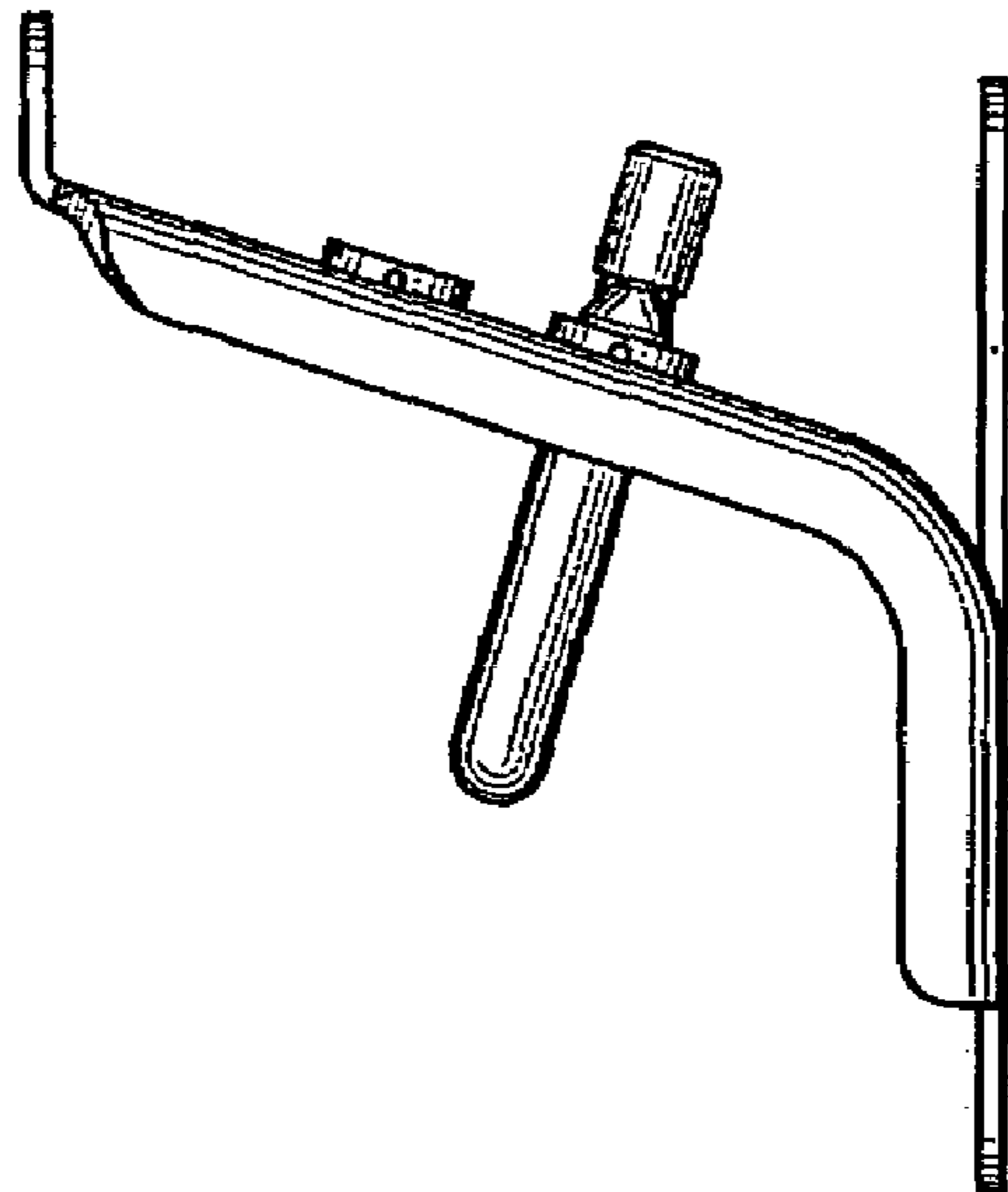


FIG. 4

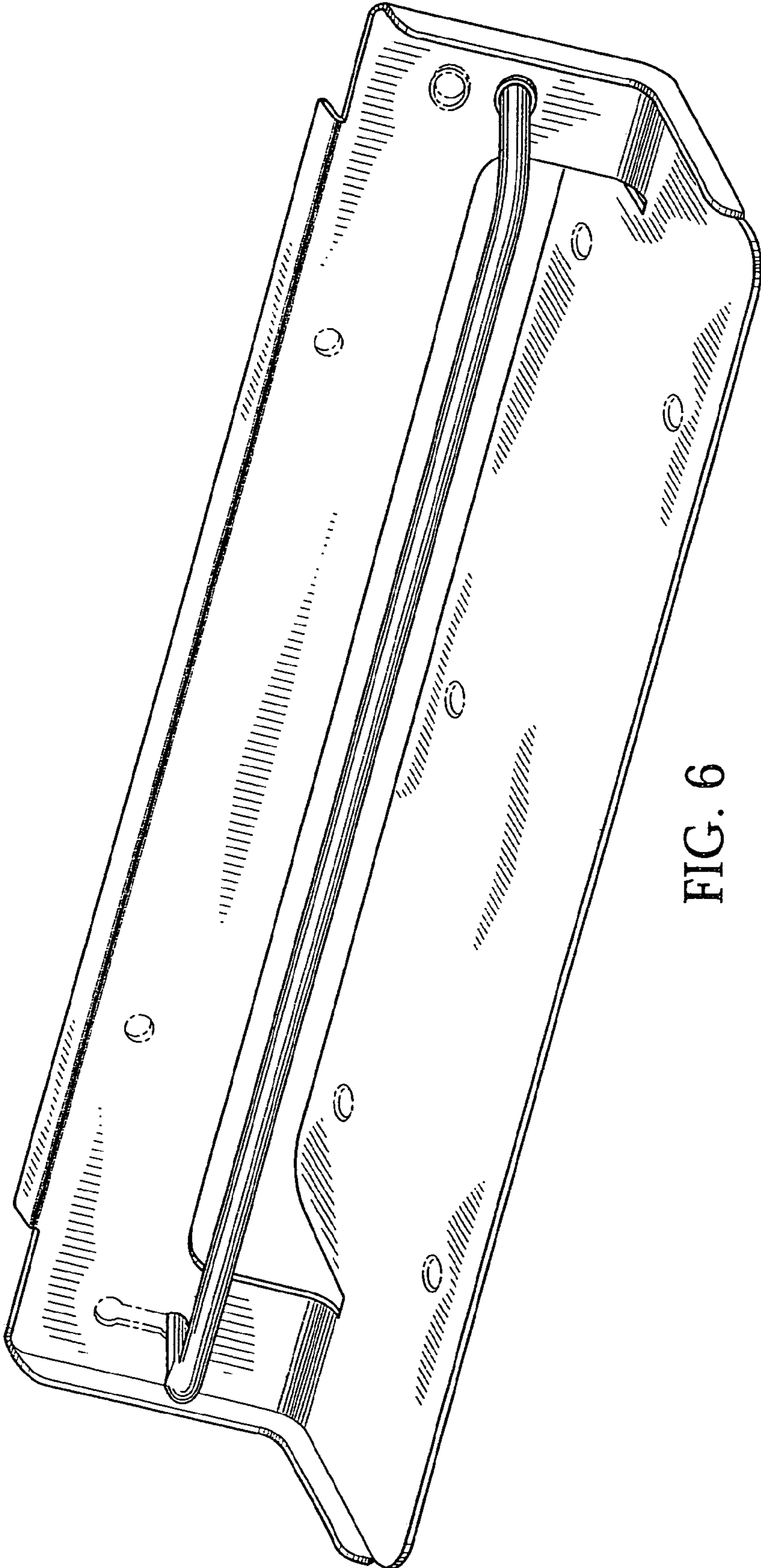


FIG. 6