



US00D559075S

(12) **United States Design Patent**  
**Lu**

(10) **Patent No.:** **US D559,075 S**  
(45) **Date of Patent:** **\*\* Jan. 8, 2008**

(54) **CABLE BRACKET OF COMPUTER LOCK**

(76) Inventor: **Chien-Chih Lu**, No. 99, Zhongshan S. Rd., Gangshan Town, Kaohsiung County (TW)

(\*\*) Term: **14 Years**

(21) Appl. No.: **29/268,417**

(22) Filed: **Nov. 7, 2006**

(51) **LOC (8) Cl.** ..... **08-07**

(52) **U.S. Cl.** ..... **D8/330**

(58) **Field of Classification Search** ..... D8/330-348;  
70/232, 14, 18, 19, 30, 49, 57-63; 248/551-553  
See application file for complete search history.

(56) **References Cited**

**U.S. PATENT DOCUMENTS**

4,656,848	A *	4/1987	Rose	70/58
5,327,752	A *	7/1994	Myers et al.	70/58
5,351,507	A *	10/1994	Derman	70/18
5,469,726	A *	11/1995	Rushing et al.	70/232
5,502,989	A *	4/1996	Murray et al.	70/58
5,531,082	A *	7/1996	Wolk et al.	70/63

\* cited by examiner

*Primary Examiner*—Mitchell Siegel  
(74) *Attorney, Agent, or Firm*—Birch, Stewart, Kolasch & Birch, LLP

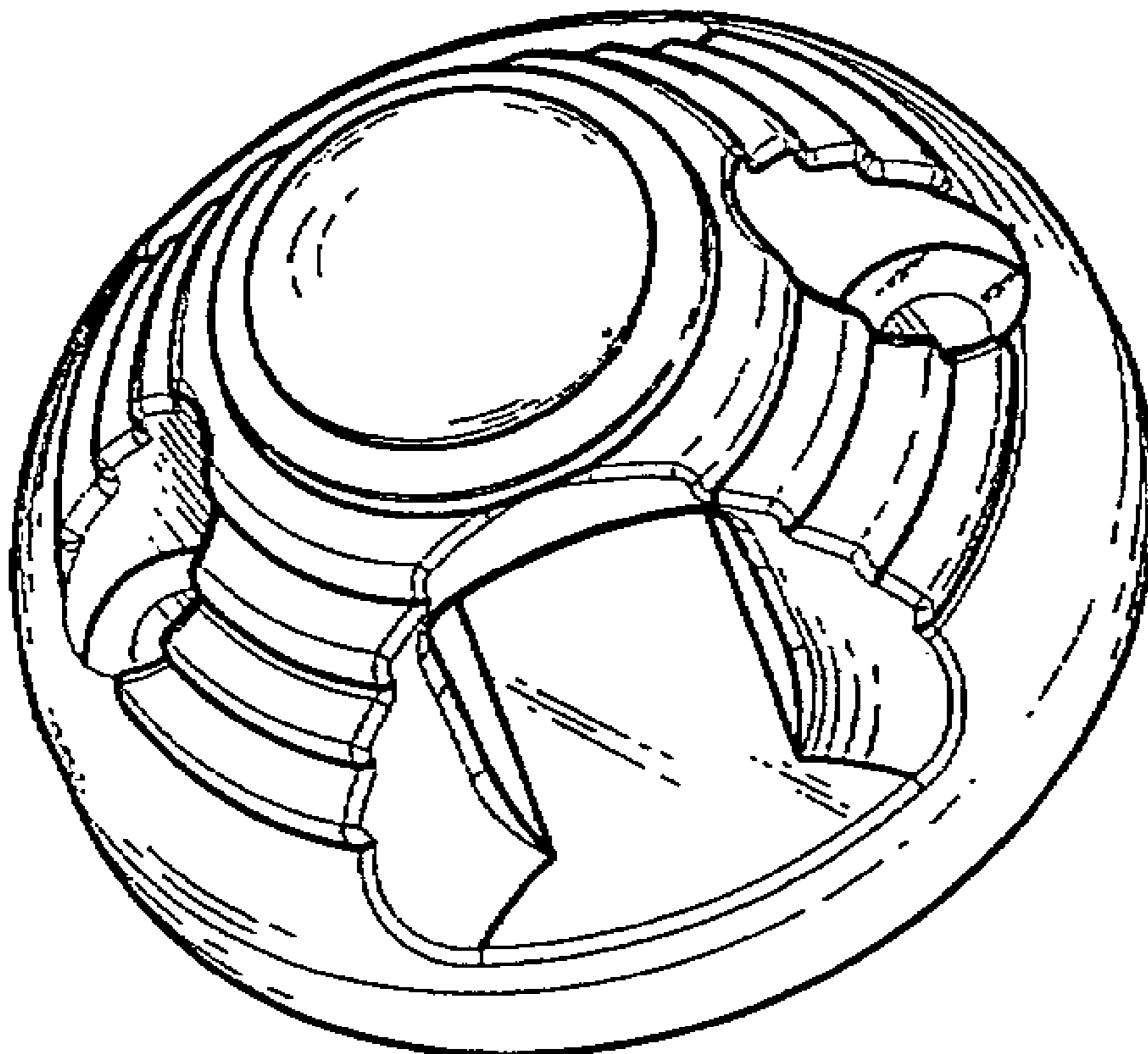
(57) **CLAIM**

The ornamental design for “cable bracket of computer lock,” as shown and described.

**DESCRIPTION**

FIG. 1 is a perspective view of “cable bracket of computer lock” showing my new design thereof;  
FIG. 2 is a right side elevational view thereof;  
FIG. 3 is a top plan view thereof;  
FIG. 4 is a front side elevational view thereof;  
FIG. 5 is a bottom plan view thereof;  
FIG. 6 is a left side elevational view thereof;  
FIG. 7 is a rear side elevational view thereof; and,  
FIG. 8 is a perspective view thereof, the broken line showing is included for the purpose of illustrating and forms no part of the claimed design.

**1 Claim, 5 Drawing Sheets**



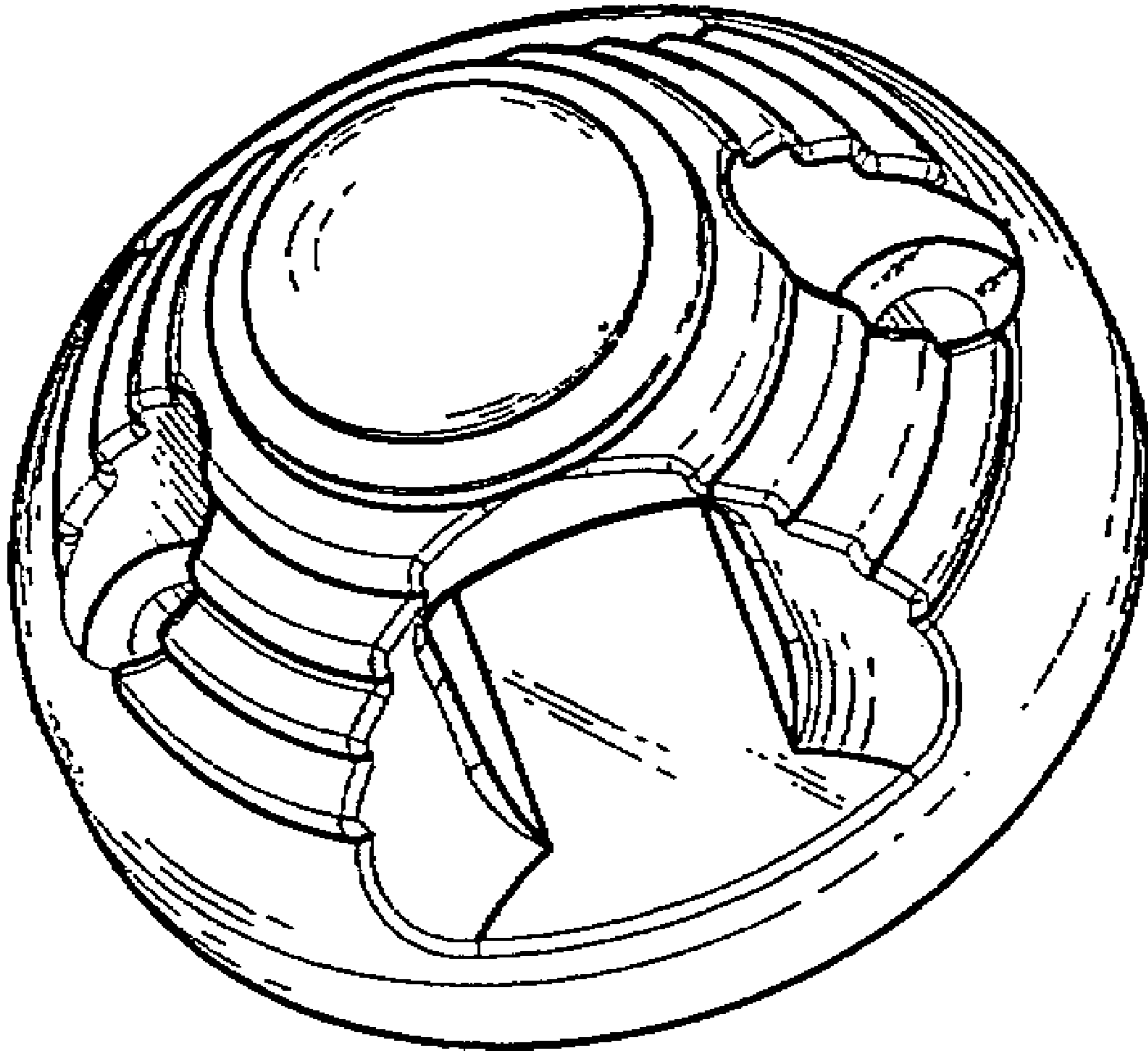


Fig. 1

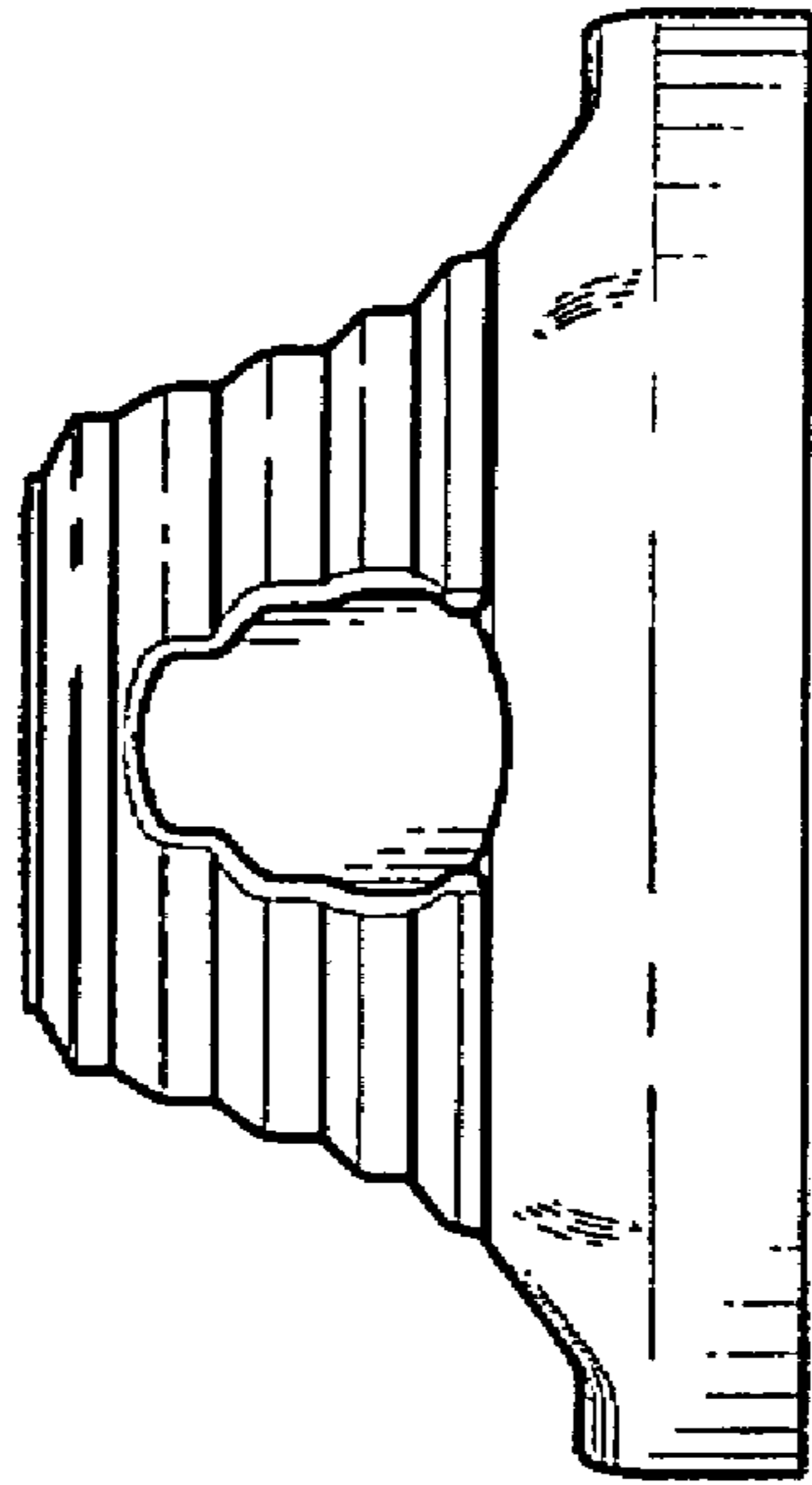


Fig. 2

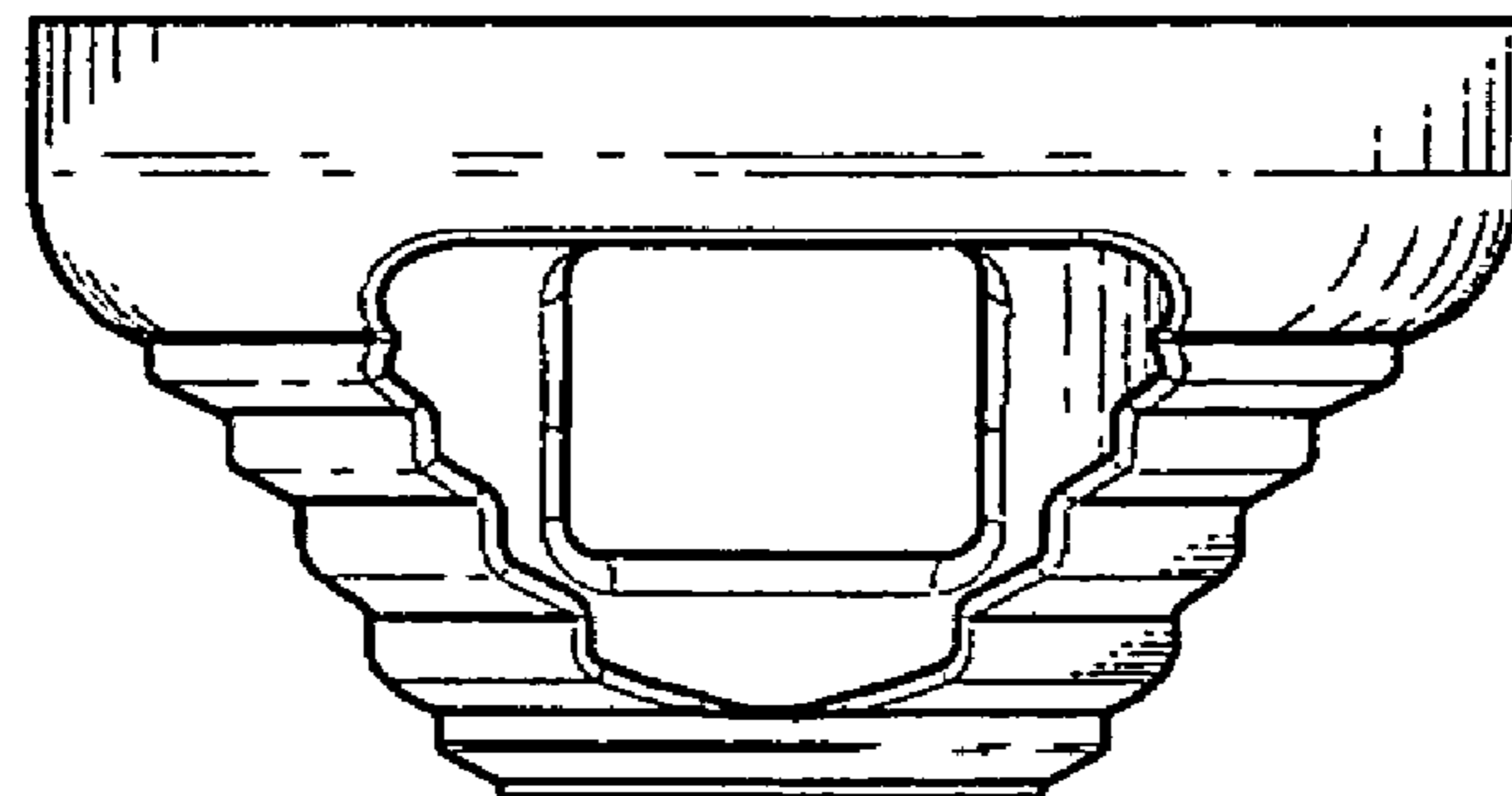


Fig. 3

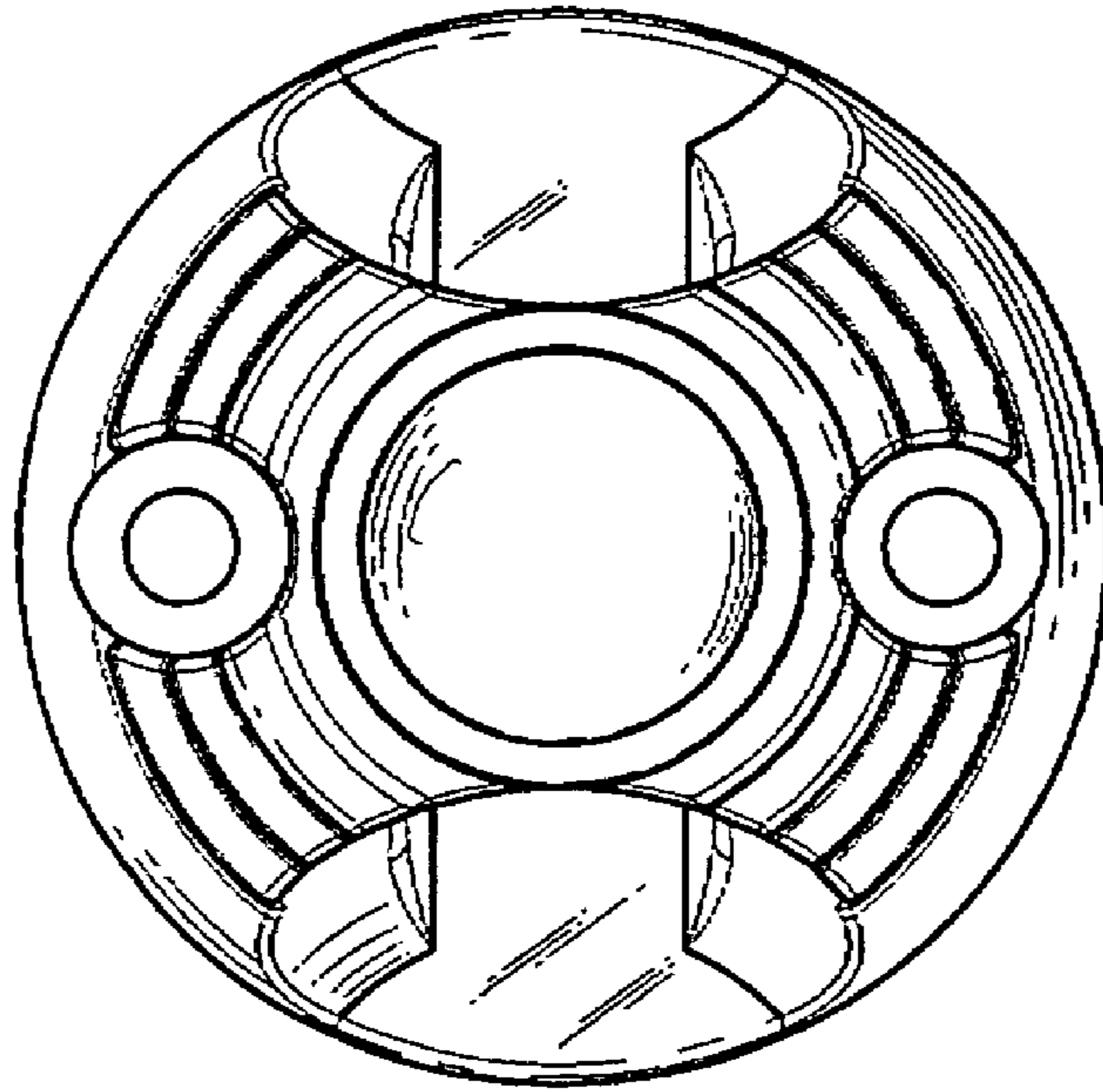


Fig. 4

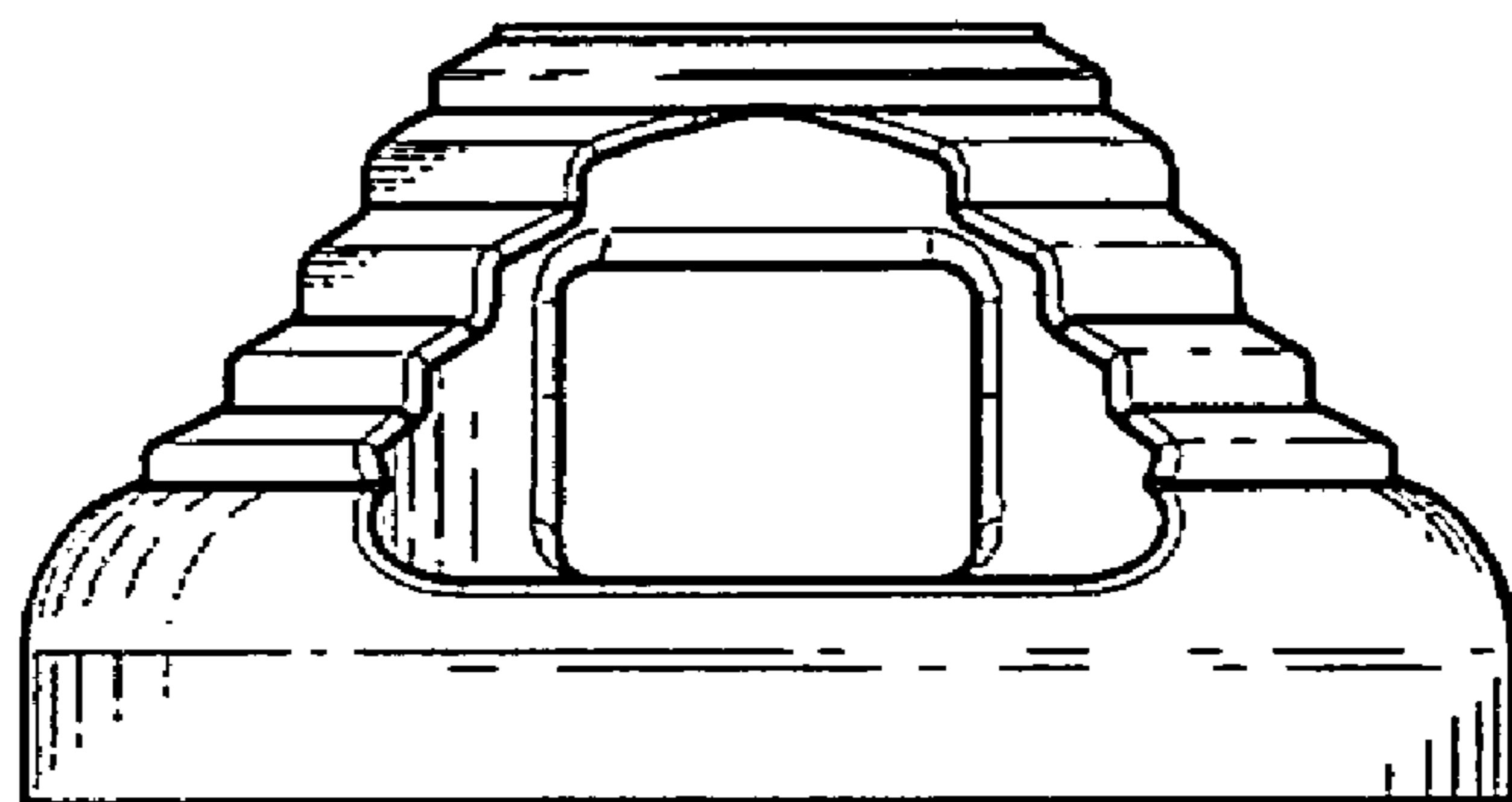


Fig. 5

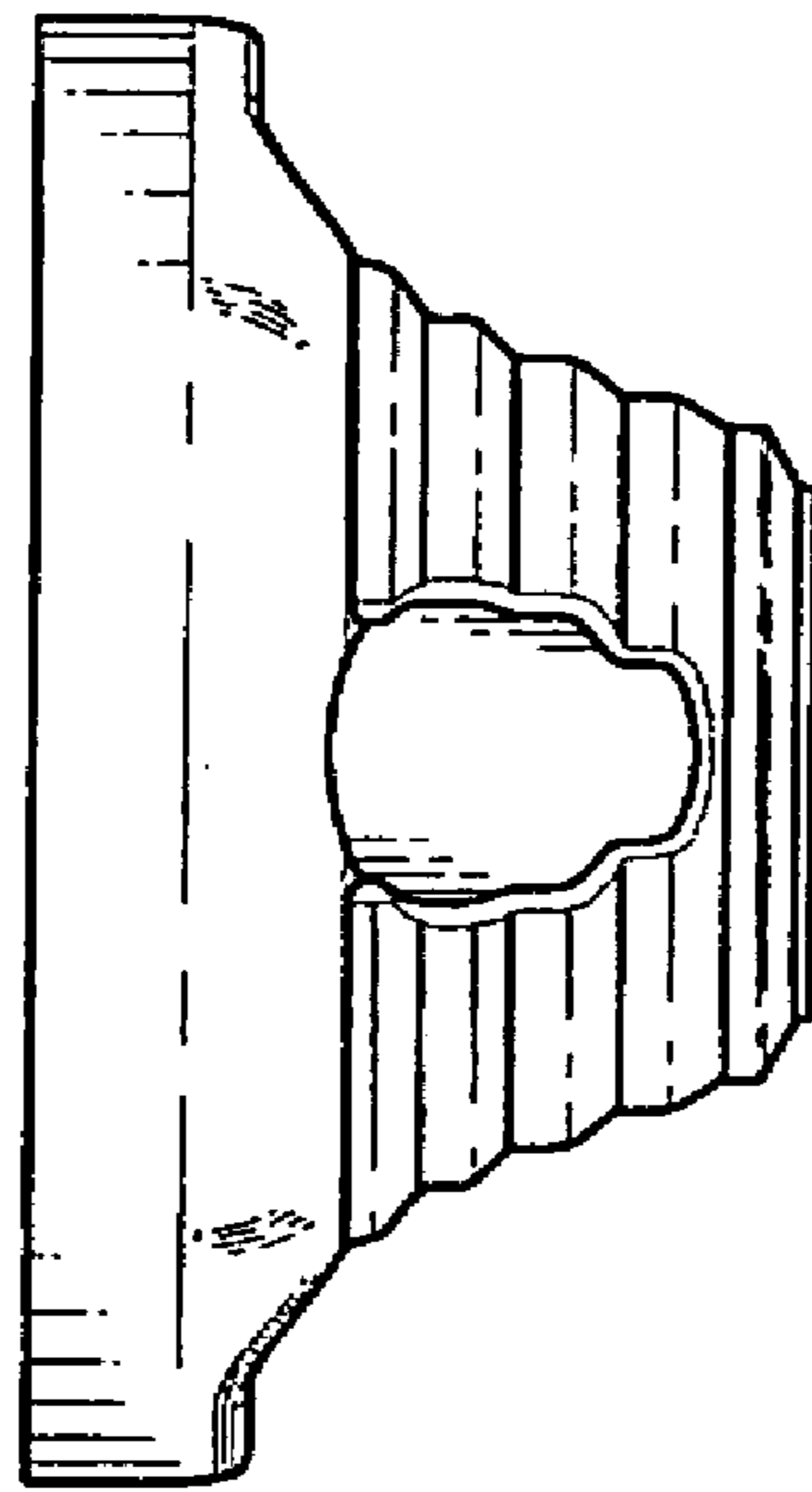


Fig. 6

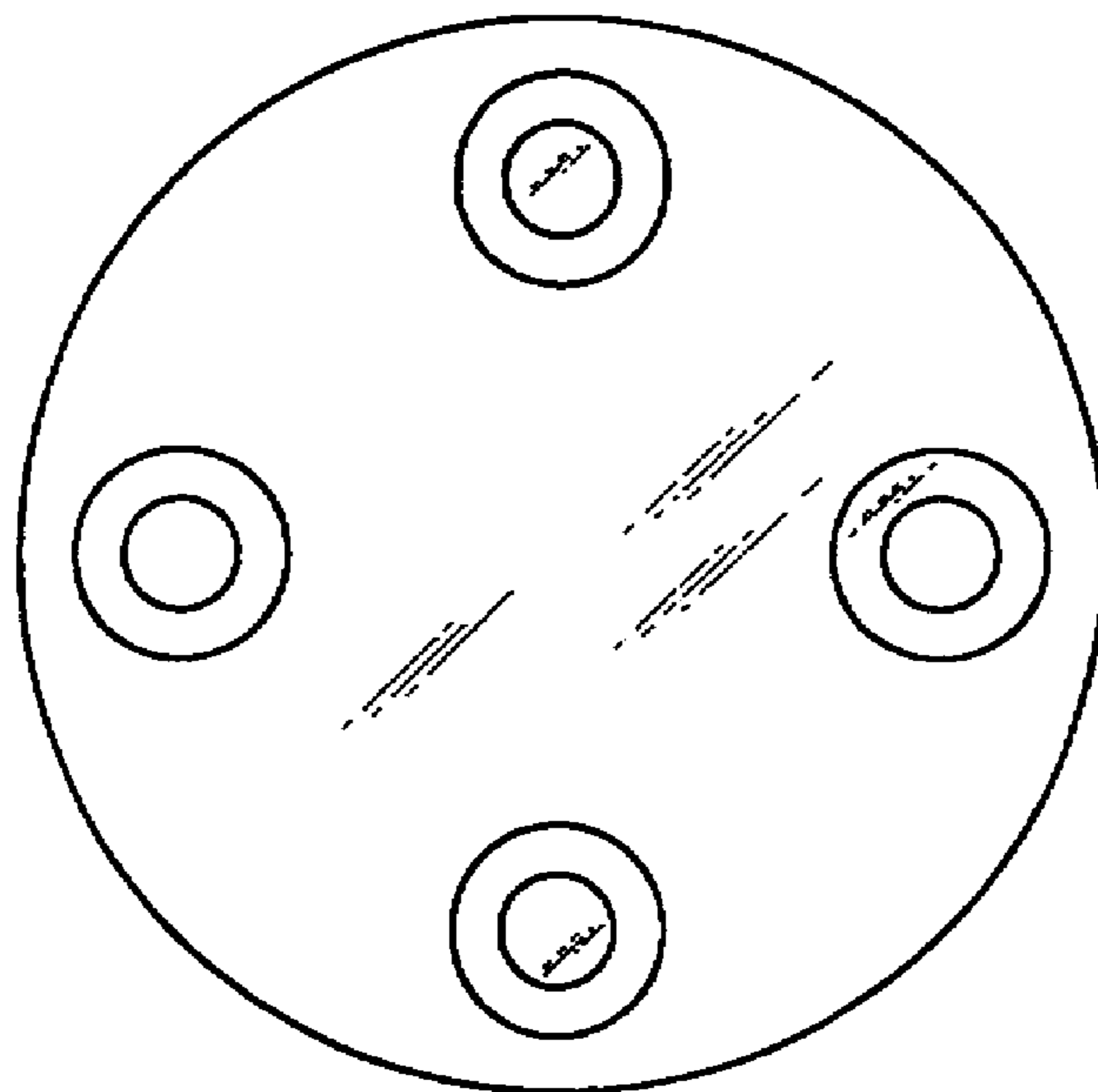


Fig. 7

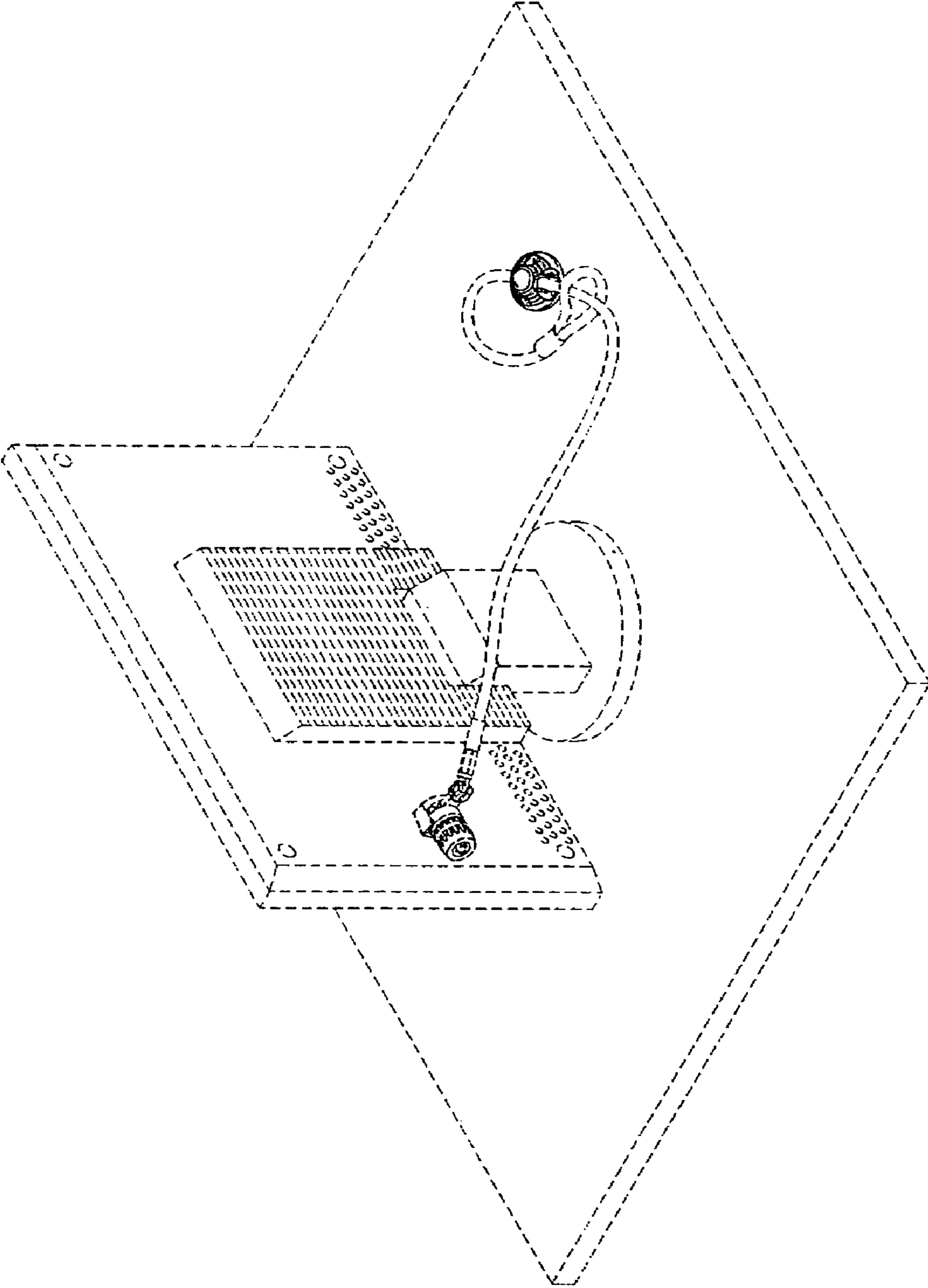


Fig. 8