



US00D559073S

(12) **United States Design Patent**  
**Krumpe et al.**

(10) **Patent No.:** **US D559,073 S**

(45) **Date of Patent:** **\*\* \*Jan. 8, 2008**

(54) **KNOB**

(75) Inventors: **Geraint Krumpe**, Chicago, IL (US);  
**Victor Hoernig**, Lowell, IN (US)

(73) Assignee: **Liberty Hardware Mfg. Corp.**,  
Winston-Salem, NC (US)

(\*) Notice: This patent is subject to a terminal disclaimer.

(\*\*) Term: **14 Years**

(21) Appl. No.: **29/262,933**

(22) Filed: **Jul. 13, 2006**

(51) **LOC (8) Cl.** ..... **08-06**

(52) **U.S. Cl.** ..... **D8/310**

(58) **Field of Classification Search** ..... D8/300,  
D8/307, 310, 312-314, 321, 322, DIG. 2,  
D8/DIG. 3; D7/392-393; D23/250-254;  
16/110.1, 121, 309, 441; 292/336.3, 337,  
292/347

See application file for complete search history.

(56) **References Cited**

**U.S. PATENT DOCUMENTS**

D179,497 S \* 1/1957 Scott ..... D8/310

3,044,817 A \* 7/1962 Marcante ..... 292/336.3  
D248,445 S \* 7/1978 Palm, Jr. .... D8/310  
D274,690 S \* 7/1984 Cesaroni ..... D8/310  
D291,053 S \* 7/1987 Decursu ..... D8/310  
D298,506 S \* 11/1988 Lee ..... D7/393  
D357,851 S \* 5/1995 Off ..... D8/310

\* cited by examiner

*Primary Examiner*—Paula A. Greene

(74) *Attorney, Agent, or Firm*—Edgar A. Zarins; Lloyd D. Doigan

(57) **CLAIM**

The ornamental design for a knob, as shown and described.

**DESCRIPTION**

FIG. 1 is a perspective view of a knob showing our new design;

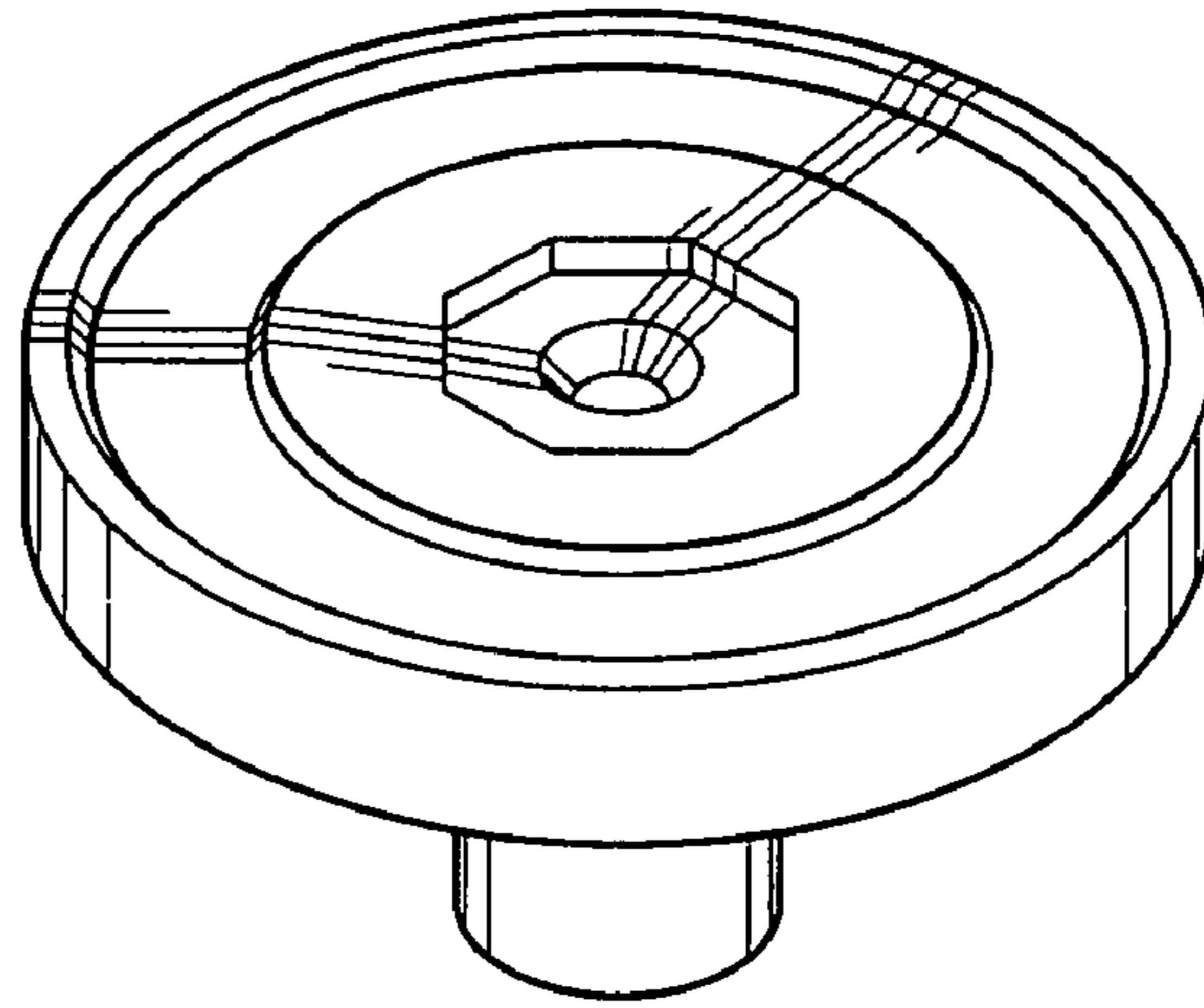
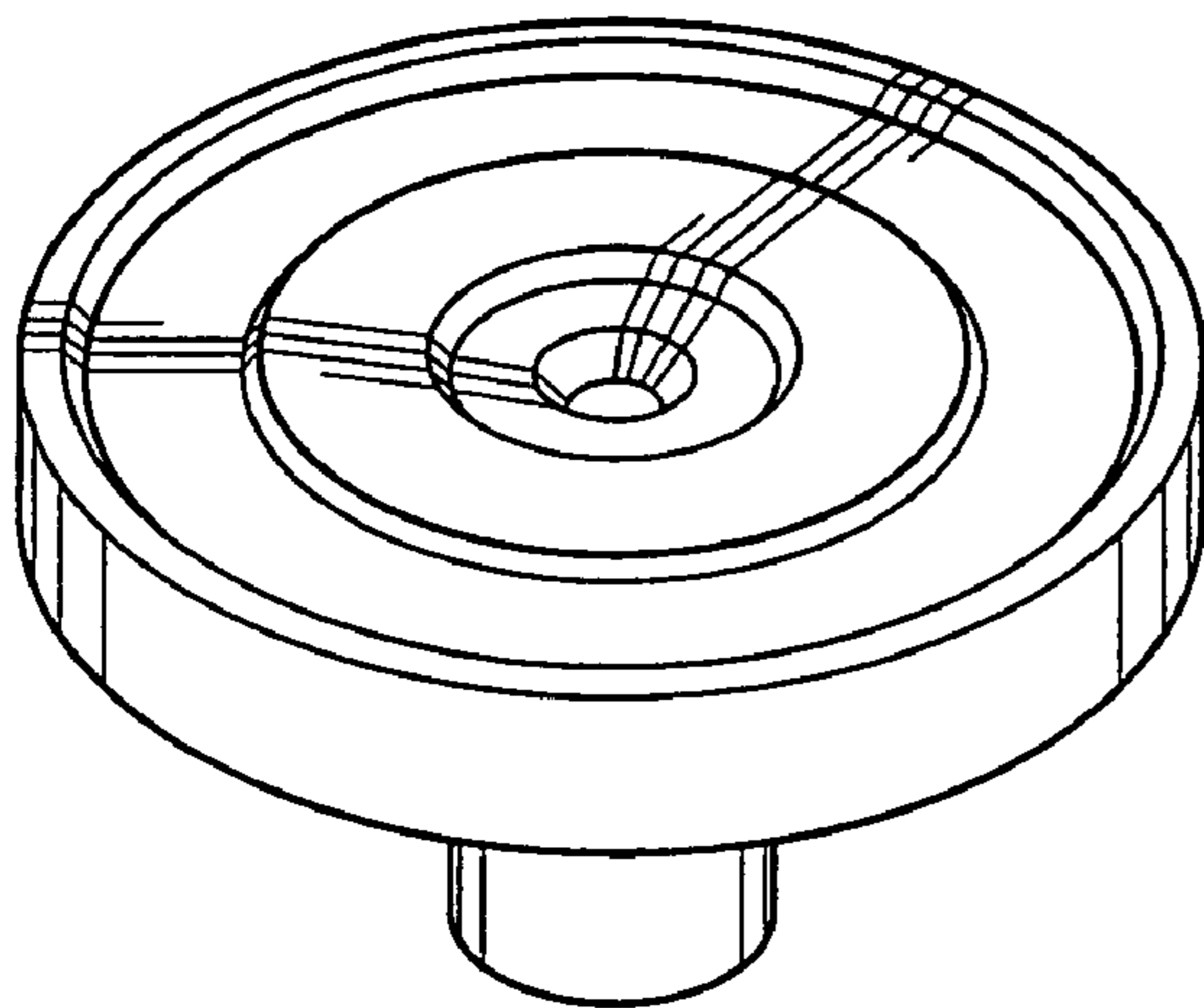
FIG. 2 is a front elevational view thereof;

FIG. 3 is a side view thereof;

FIG. 4 is a transverse cross-sectional view thereof; and,

FIG. 5 is a perspective view of a second embodiment of a knob showing our new design, the only difference being the octagonal portion.

**1 Claim, 1 Drawing Sheet**



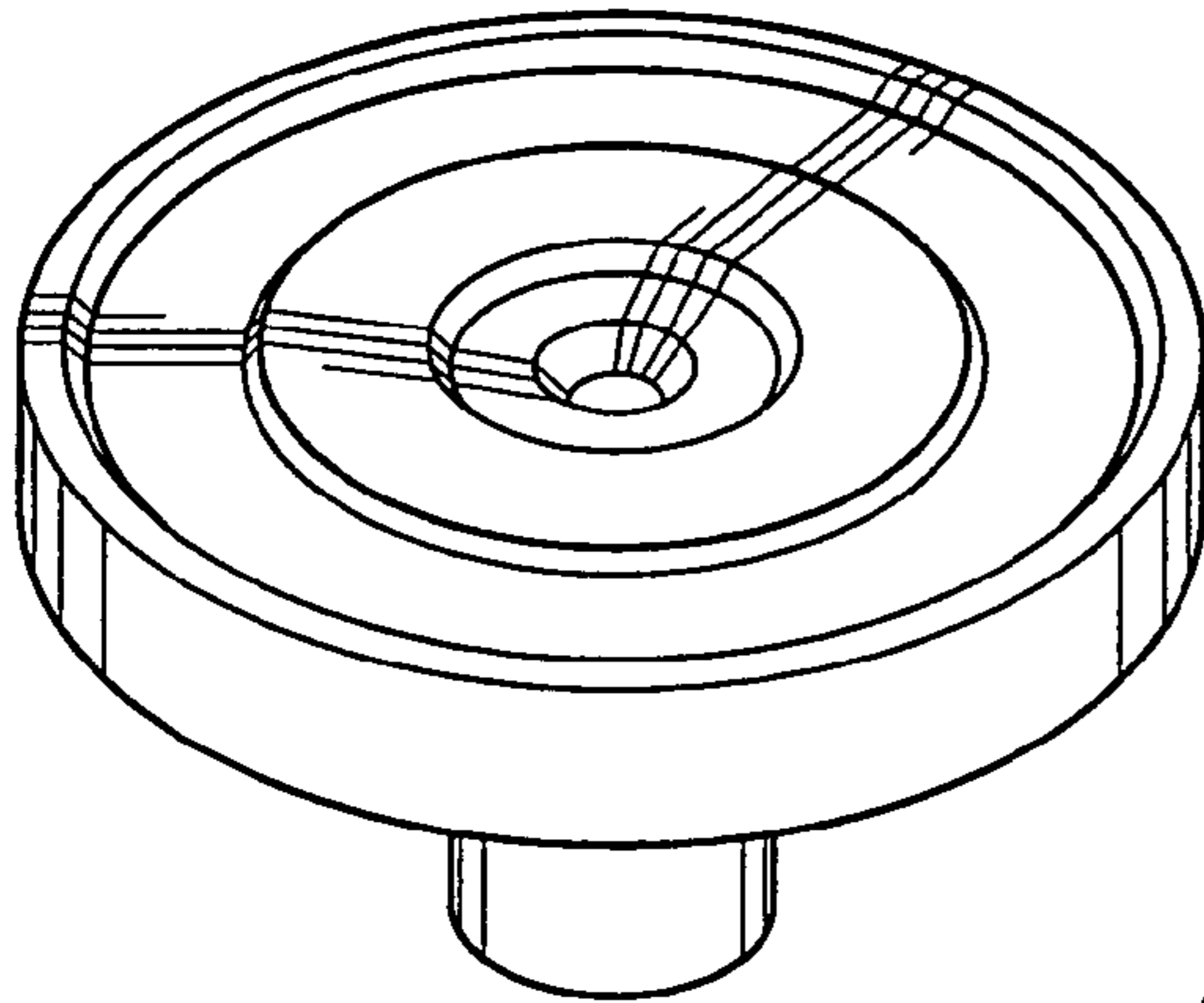


Fig-1

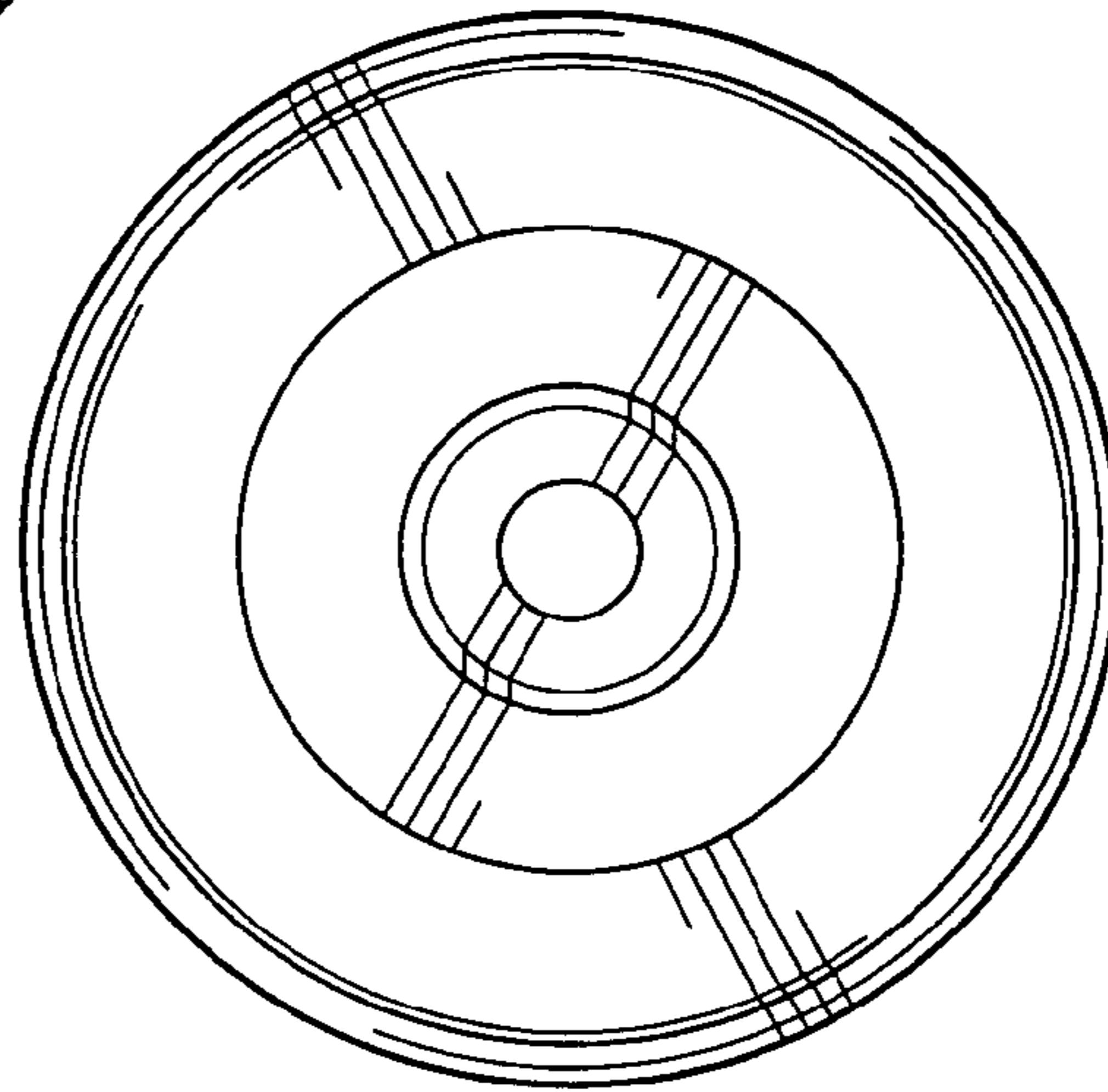


Fig-2

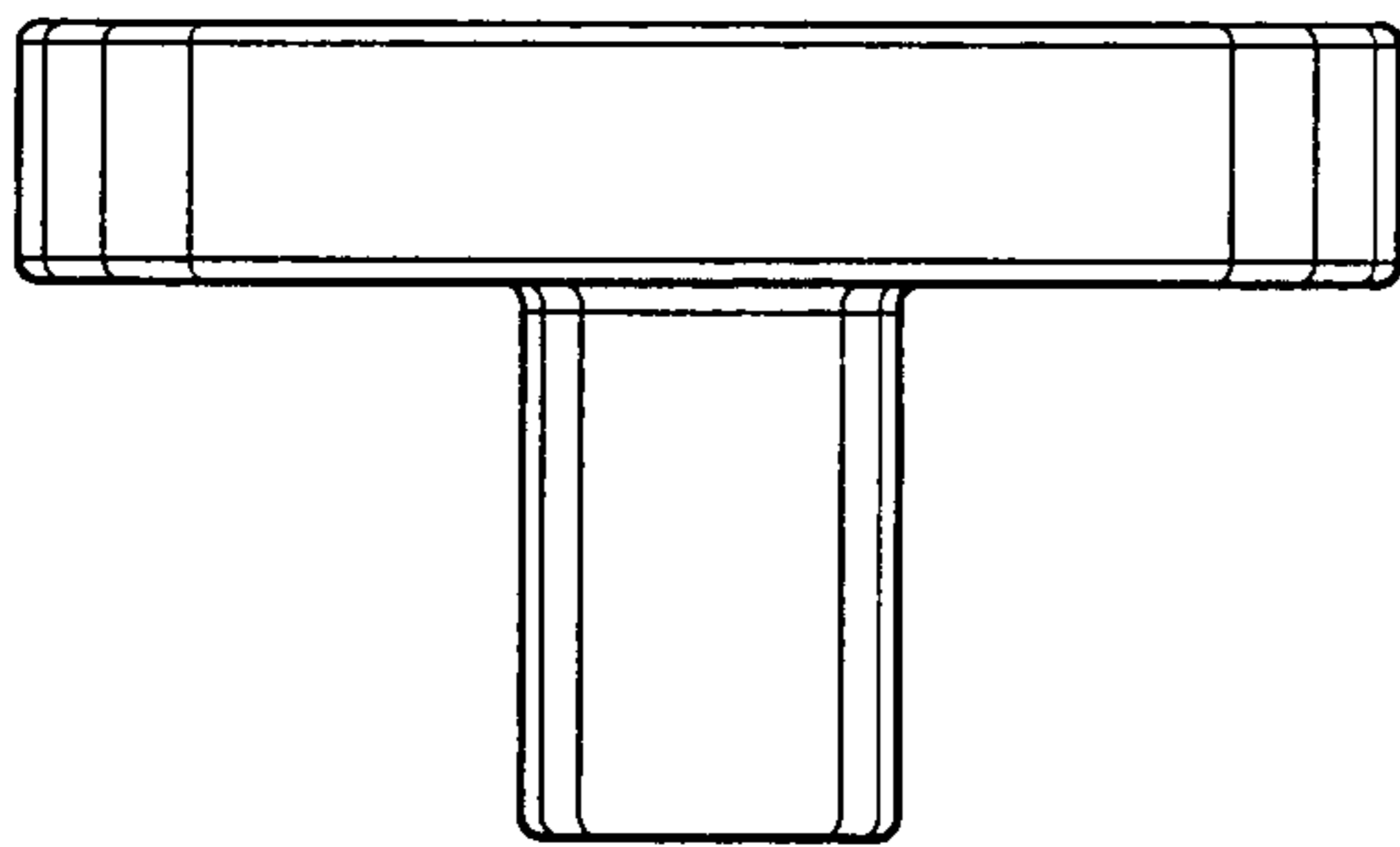


Fig-3

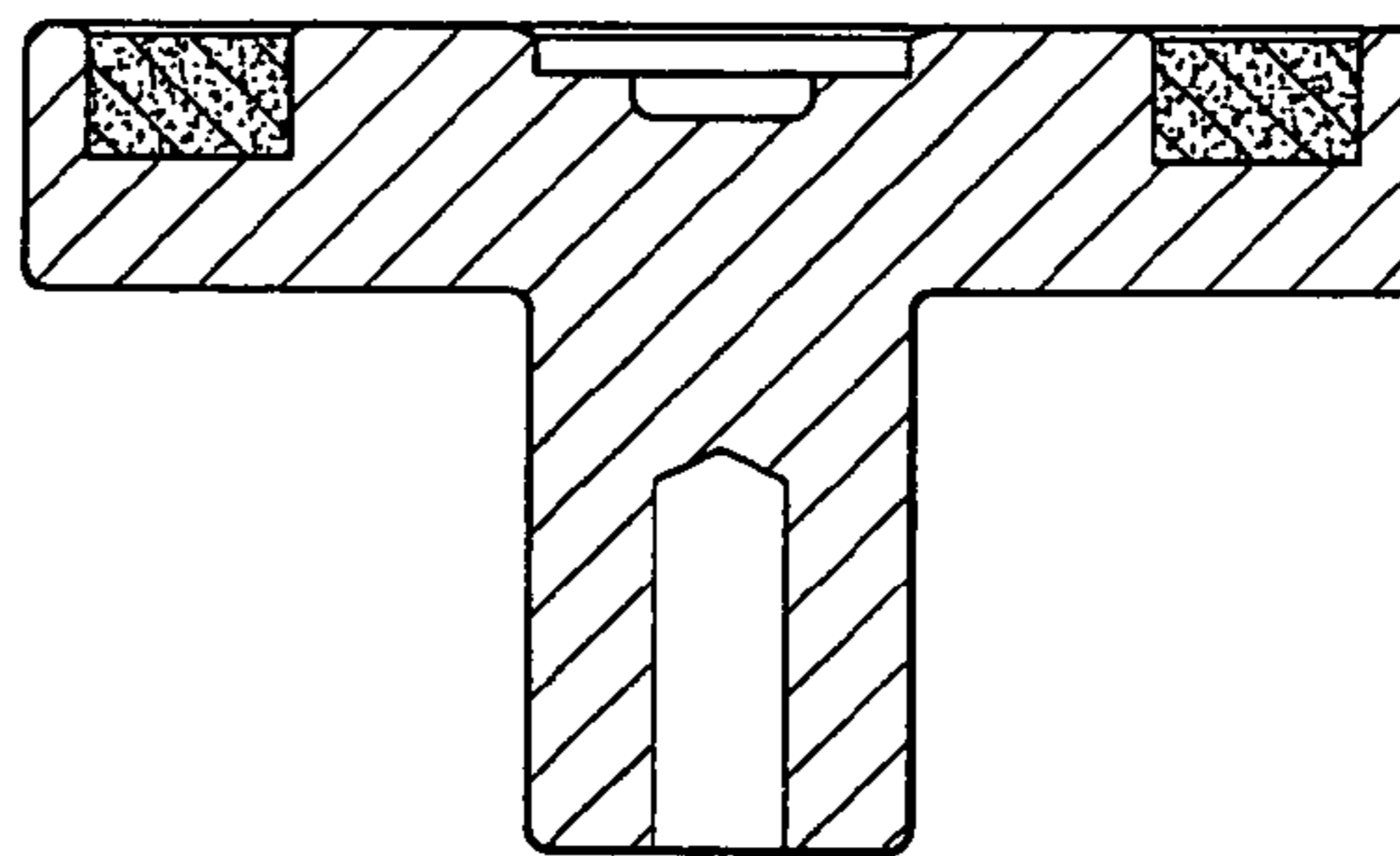


Fig-4

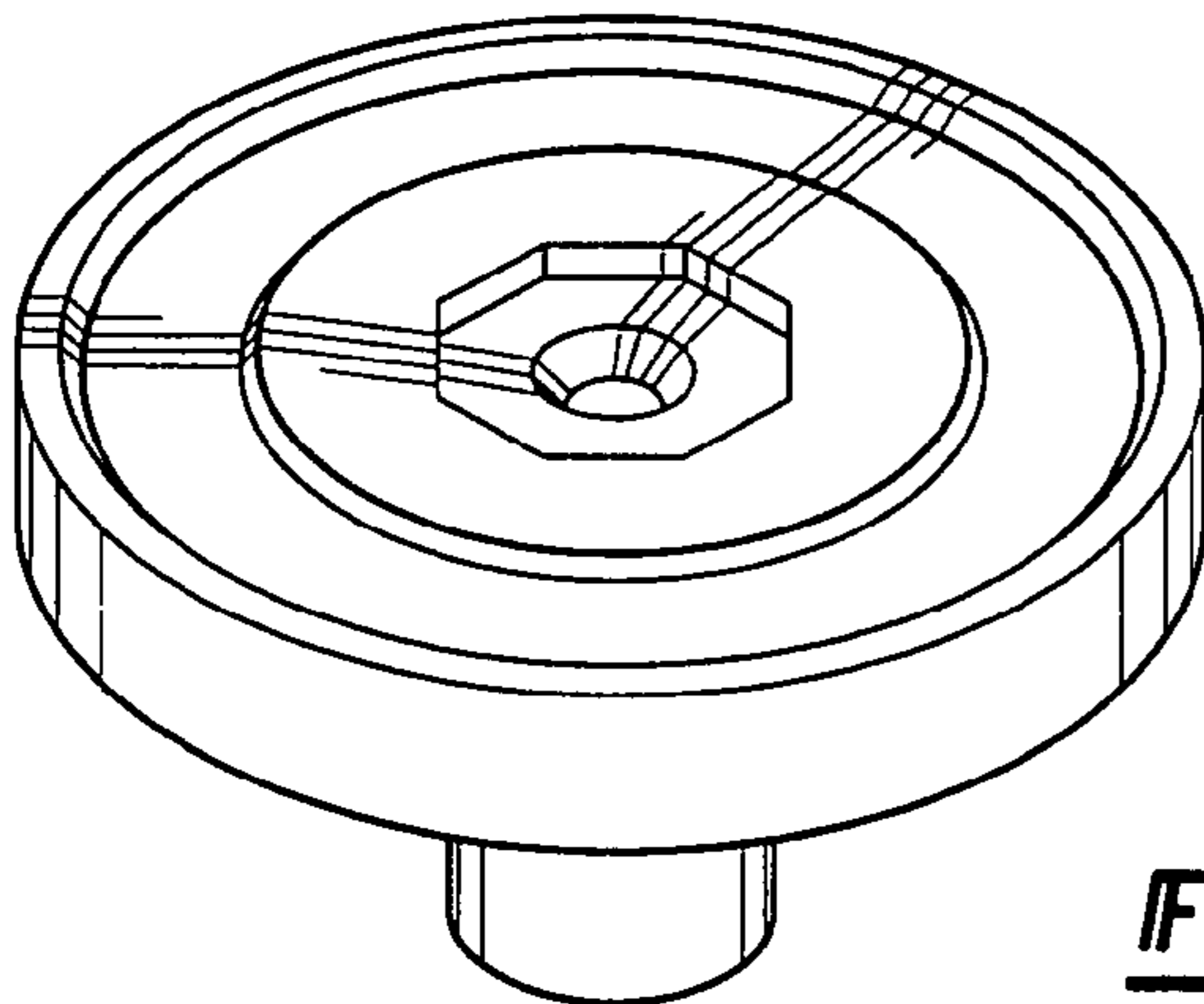


Fig-5