

US00D559071S

(12) **United States Design Patent**
Burford-Baynes

(10) **Patent No.:** **US D559,071 S**

(45) **Date of Patent:** **** Jan. 8, 2008**

(54) **PLASTER BOARD CUTTING TOOL**

(76) **Inventor:** **Simon C. Burford-Baynes**, Ramblers
Cottage, Brick Hill, Chobham, Woking,
Surrey GU24 8TF (GB)

(**) **Term:** **14 Years**

(21) **Appl. No.:** **29/256,293**

(22) **Filed:** **Mar. 17, 2006**

(51) **LOC (8) Cl.** **08-03**

(52) **U.S. Cl.** **D8/98**

(58) **Field of Classification Search** D8/98,
D8/51; 33/42; 30/289, 290, 293, 294, 292;
D10/65

See application file for complete search history.

(56) **References Cited**

U.S. PATENT DOCUMENTS

3,286,351	A *	11/1966	McAlister	33/42
3,812,748	A *	5/1974	Nausbaum	63/886
D281,219	S *	11/1985	Best	D8/98
4,949,462	A	8/1990	Spencer		
4,956,919	A *	9/1990	Granger	33/32.2
D311,674	S *	10/1990	Lofgren	D8/98

5,048,189	A	9/1991	Aurness et al.		
5,050,306	A *	9/1991	Renaud	30/293
5,083,375	A *	1/1992	Helm, Sr.	30/294
5,231,764	A *	8/1993	Chang	30/293
5,265,342	A *	11/1993	Lang, Jr.	30/294
5,600,892	A *	2/1997	Peugh et al.	30/292
D406,537	S *	3/1999	Sharp	D10/65
5,979,063	A *	11/1999	Pritz	30/293
6,612,035	B2 *	9/2003	Brown et al.	30/292

* cited by examiner

Primary Examiner—Philip S. Hyder

(74) *Attorney, Agent, or Firm*—Raymond M. Galasso;
Galasso & Associates, LP

(57) **CLAIM**

The ornamental design for a plaster board cutting tool, as shown.

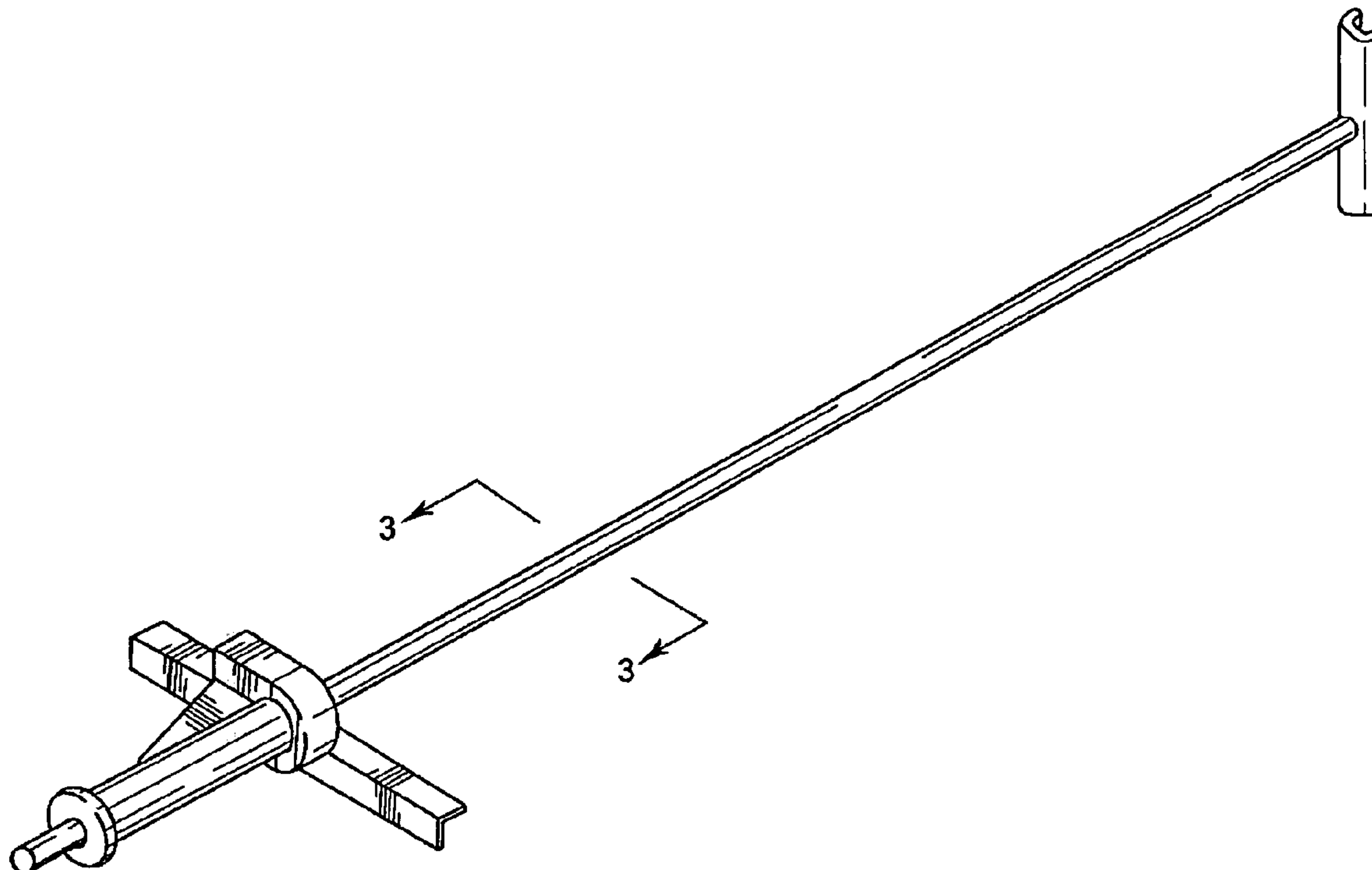
DESCRIPTION

FIG. 1 is a perspective view depicting an embodiment of the plaster board cutting tool, as disclosed herein;

FIG. 2 is a partial top plan view thereof; and,

FIG. 3 is a cross section view thereof, taken along line 3—3.

1 Claim, 3 Drawing Sheets



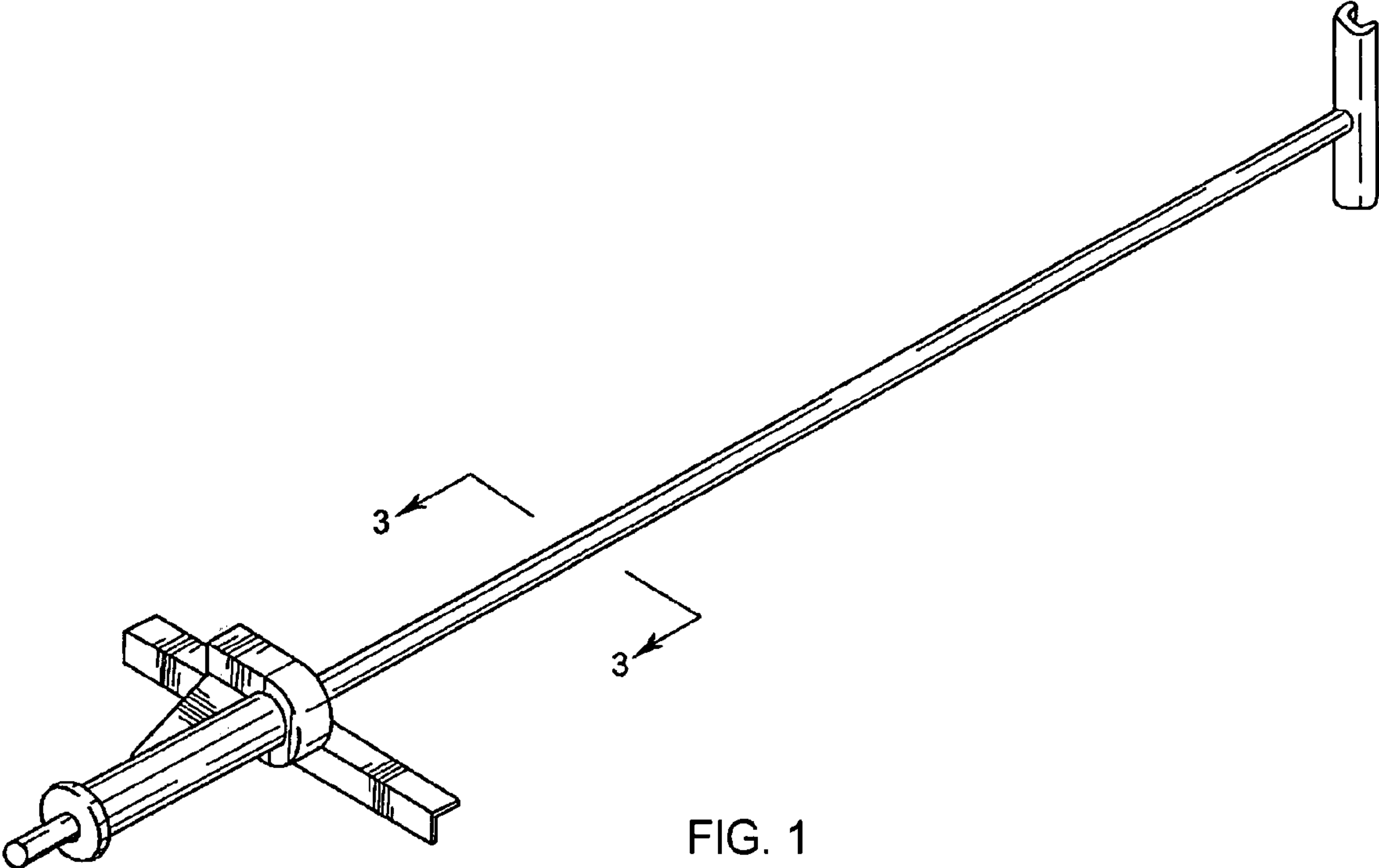


FIG. 1

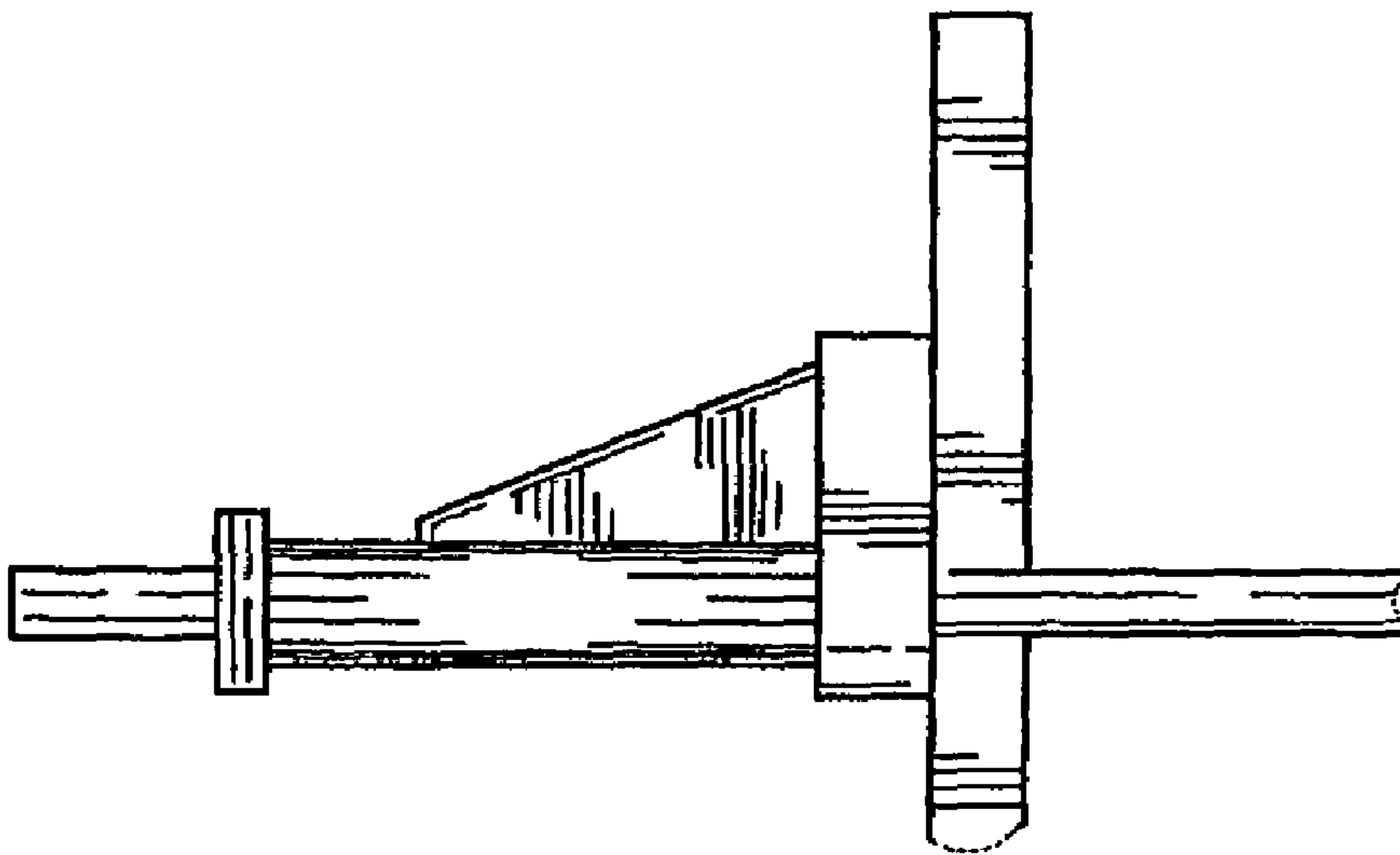


FIG. 2

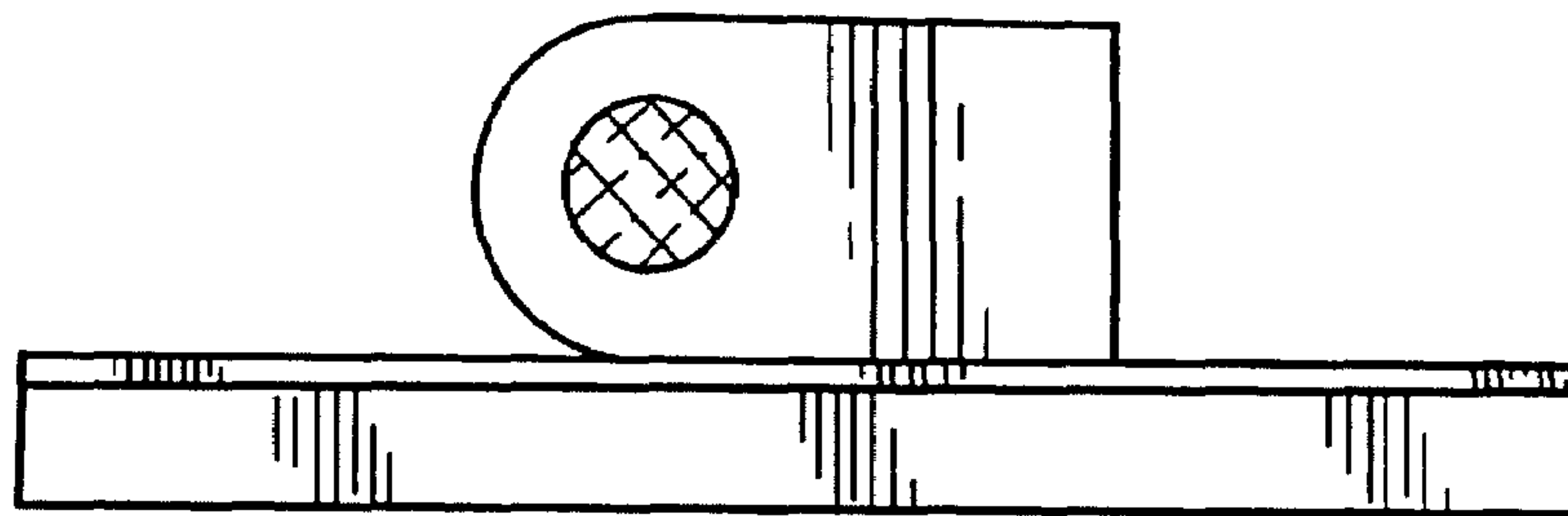


FIG. 3