



US00D559070S

(12) **United States Design Patent**
Singh et al.

(10) **Patent No.:** **US D559,070 S**

(45) **Date of Patent:** **** Jan. 8, 2008**

(54) **PRECISION SCREW DRIVER**

(75) Inventors: **Mandeep Singh**, Kitchener (CA); **Jose Antonio Barrios**, Waterloo (CA)

(73) Assignee: **Maxtech Consumer Products Limited**, Waterloo, Ontario (CA)

(**) Term: **14 Years**

(21) Appl. No.: **29/258,596**

(22) Filed: **Apr. 25, 2006**

(30) **Foreign Application Priority Data**

Feb. 20, 2006 (CA) 114786

(51) **LOC (8) Cl.** **08-04**

(52) **U.S. Cl.** **D8/83**

(58) **Field of Classification Search** D8/82,
D8/83, 84, 85, 86, 87, 107; D7/395; 16/110.1;
81/177.1, 436, 489

See application file for complete search history.

(56) **References Cited**

U.S. PATENT DOCUMENTS

D376,528 S *	12/1996	Krapowicz	D8/82
D379,750 S *	6/1997	Thompson et al.	D8/83
D393,582 S *	4/1998	Amtenbrink et al.	D8/82
D413,782 S *	9/1999	Krapowicz	D8/82
D419,847 S *	2/2000	Chen	D8/83

D432,382 S *	10/2000	Hsu	D8/82
D440,479 S *	4/2001	Hsiao	D8/82
D484,767 S *	1/2004	Hsu	D8/82
D503,080 S *	3/2005	Chen	D8/82
D508,192 S *	8/2005	Wang	D8/82
D538,129 S *	3/2007	Jansson et al.	D8/82

* cited by examiner

Primary Examiner—Philip S. Hyder

(74) *Attorney, Agent, or Firm*—Jeffrey W. Wong; Borden Ladner Gervais LLP

(57) **CLAIM**

We claim the ornamental design for the precision screw driver, as shown.

DESCRIPTION

FIG. 1 is a top front perspective view of a precision screw driver showing my new design;

FIG. 2 is a bottom rear perspective view thereof;

FIG. 3 is a top plan view thereof;

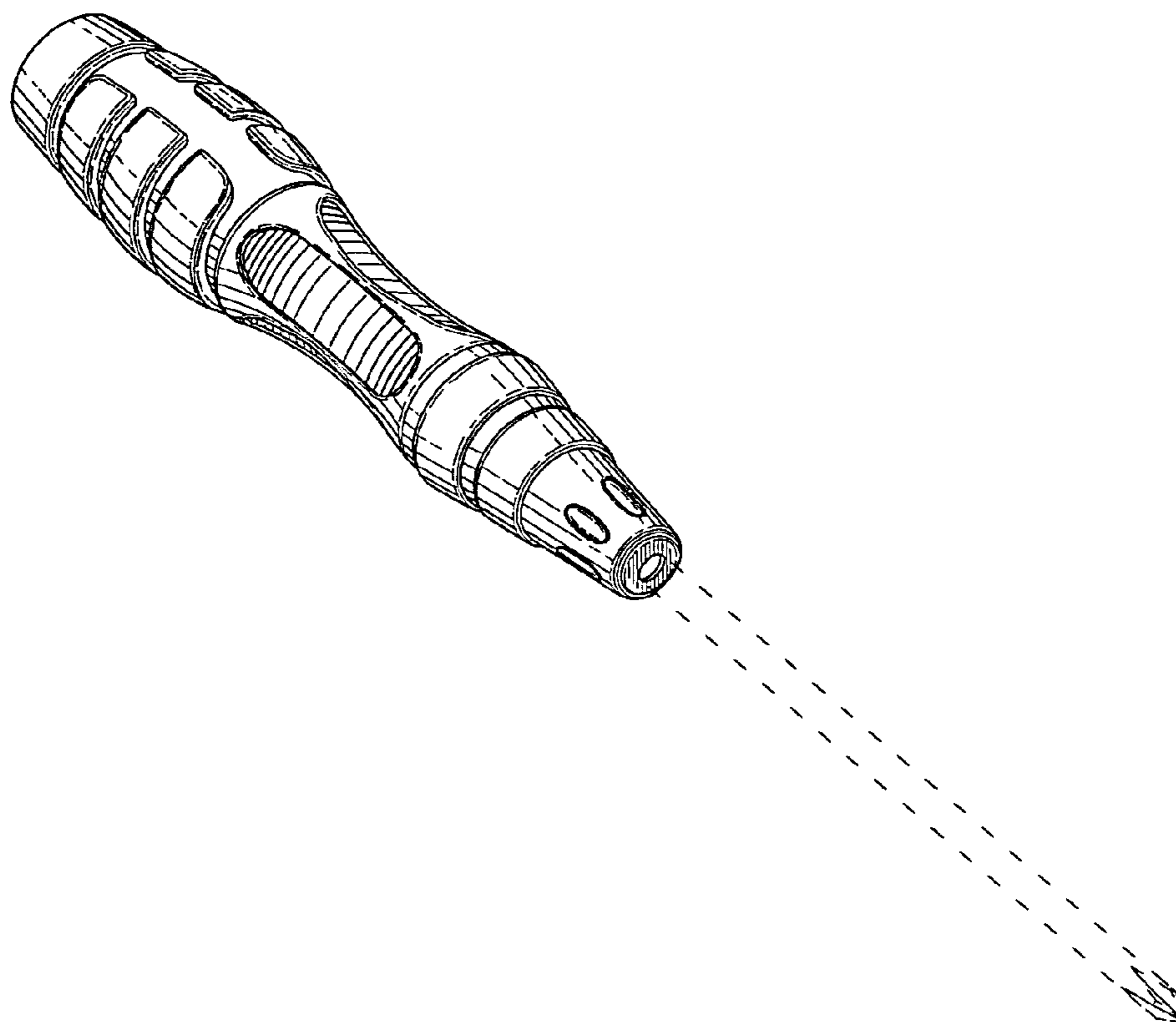
FIG. 4 is a side view thereof;

FIG. 5 is a rear view thereof; and,

FIG. 6 is a front view thereof.

The broken lines showings of the screw driver blade are for environmental purposes only and form no part of the claimed design.

1 Claim, 2 Drawing Sheets



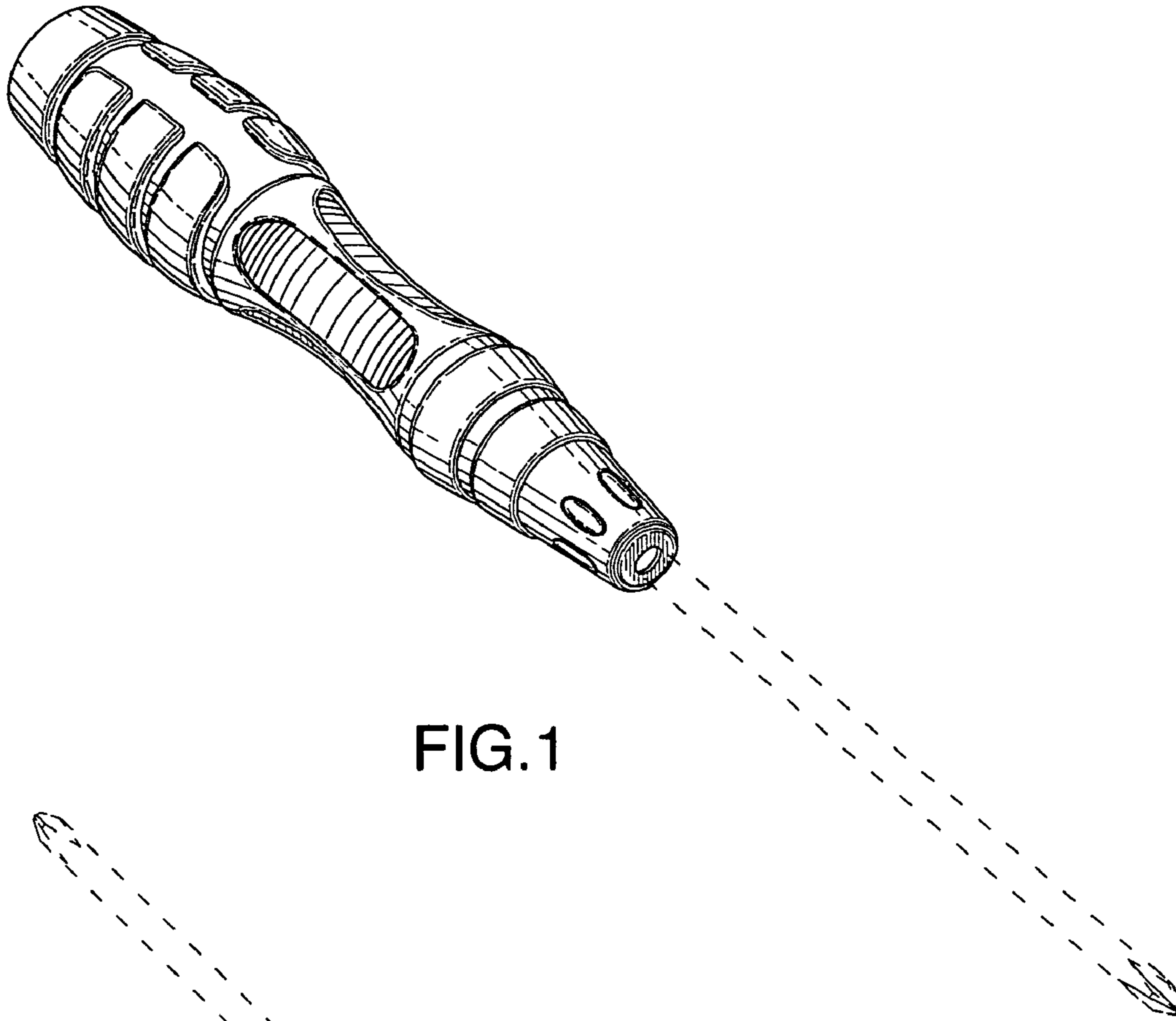


FIG. 1

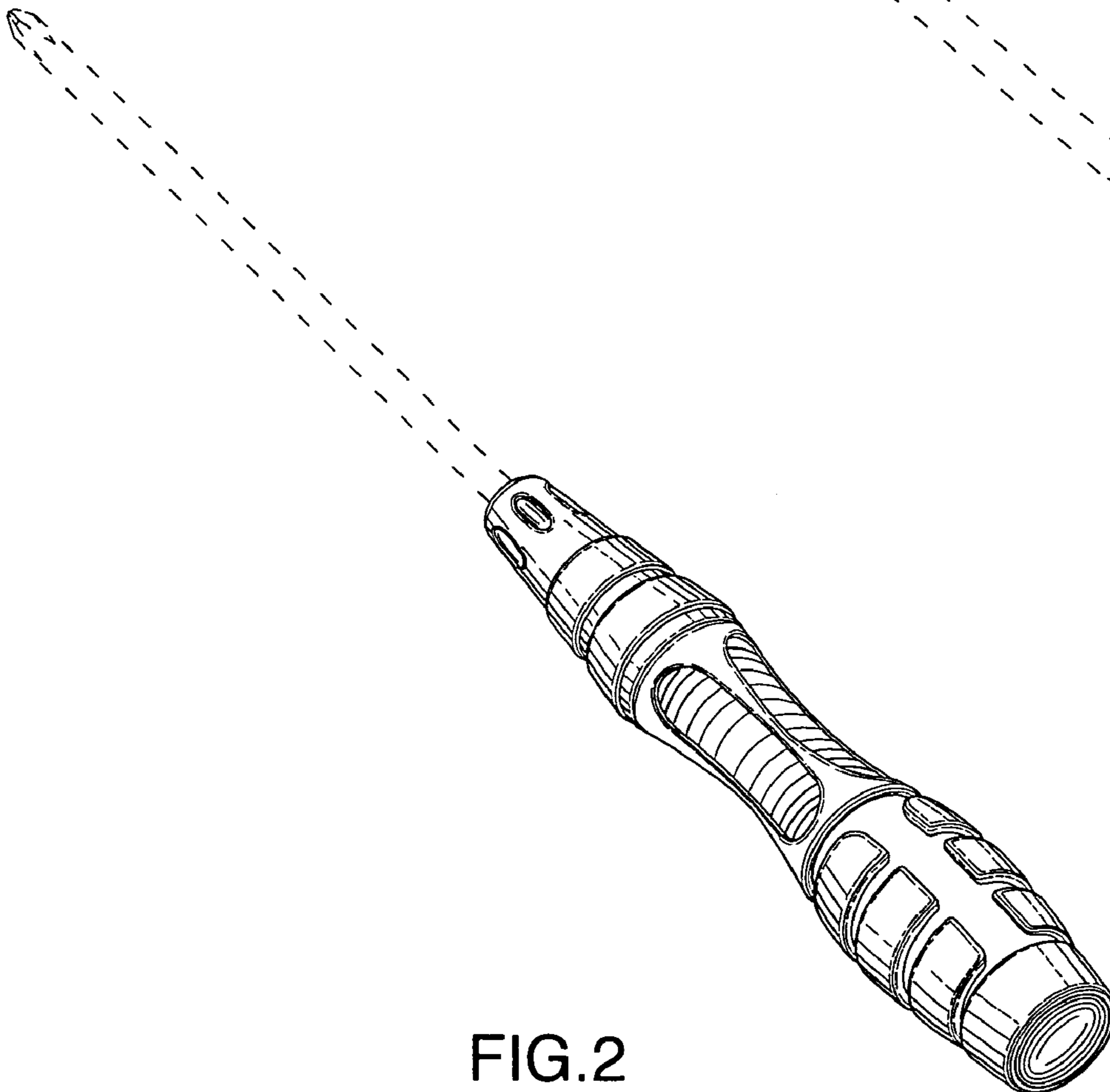


FIG. 2

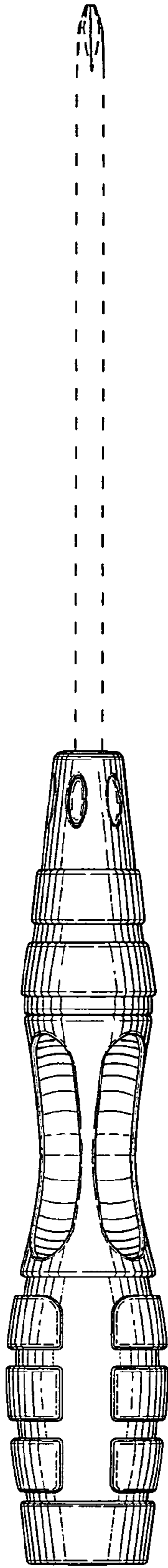


FIG. 3

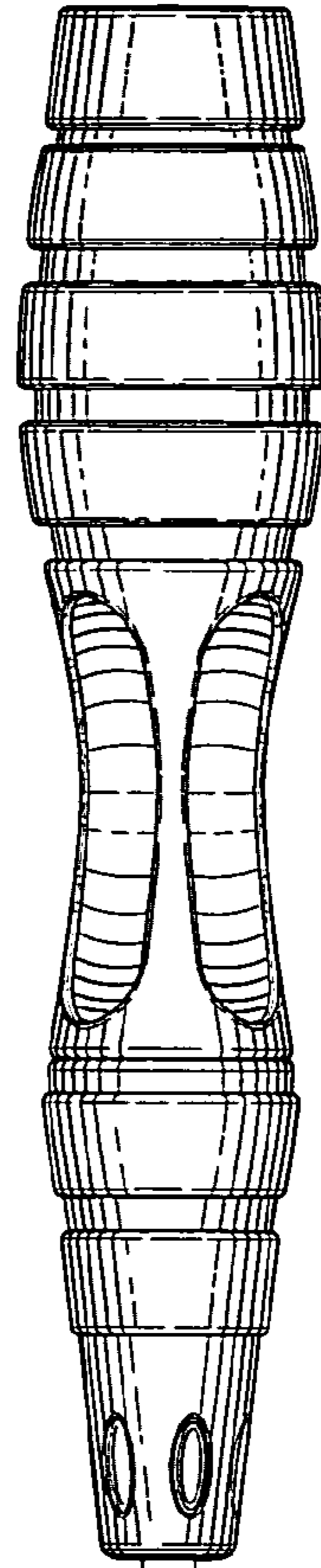


FIG. 4

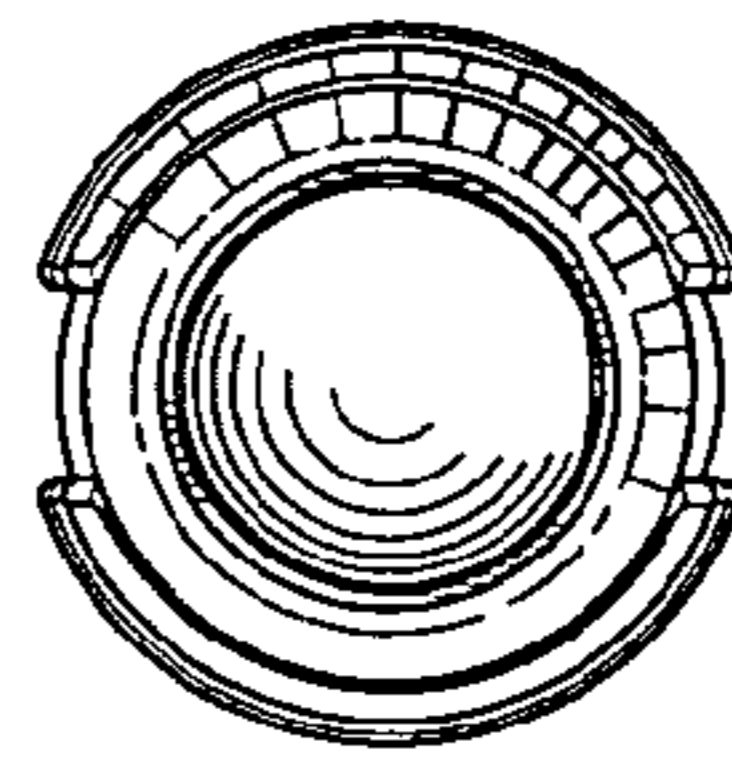


FIG. 5

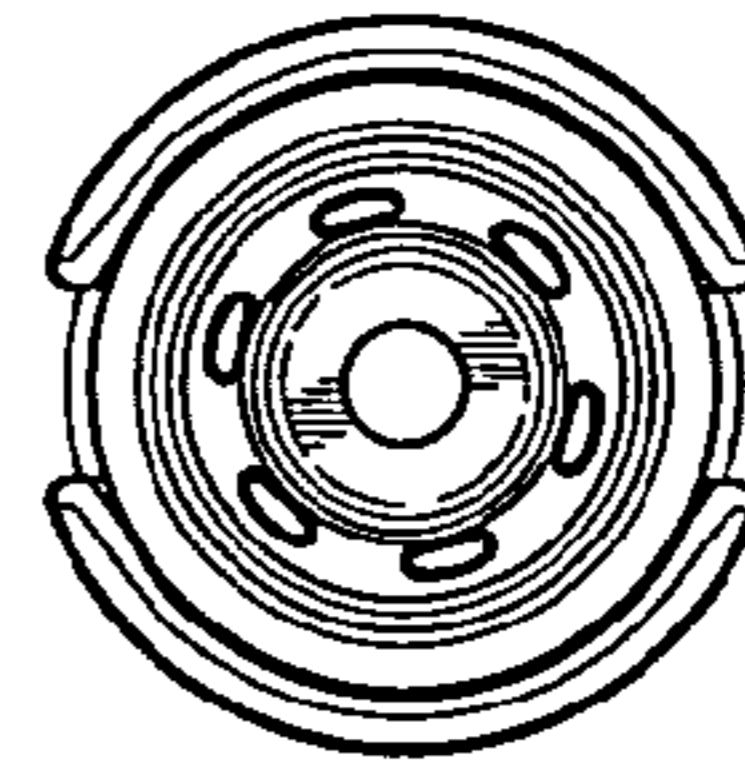


FIG. 6