



US00D559065S

(12) **United States Design Patent**
Miyauchi et al.

(10) **Patent No.:** **US D559,065 S**
(45) **Date of Patent:** **** Jan. 8, 2008**

(54) **POLISHING PAD**

(75) Inventors: **Hiroyuki Miyauchi**, Chuo-ku (JP);
Hiroshi Shiho, Chuo-ku (JP)

(73) Assignee: **JSR Corporation**, Tokyo (JP)

(**) Term: **14 Years**

(21) Appl. No.: **29/225,834**

(22) Filed: **Mar. 22, 2005**

(30) **Foreign Application Priority Data**

Oct. 5, 2004 (JP) 2004-030299

(51) **LOC (8) Cl.** **08-05**

(52) **U.S. Cl.** **D8/70**

(58) **Field of Classification Search** D8/61,
D8/62, 63, 70; D15/124, 126, 138, 139,
D15/140; 15/230; 83/835; 451/6, 60, 287,
451/288, 359, 526, 527, 533, 541, 548, 446,
451/550

See application file for complete search history.

(56) **References Cited**

U.S. PATENT DOCUMENTS

88,649	A *	4/1869	Machamer	83/835
494,471	A *	3/1893	Gardner	451/528
1,092,588	A *	4/1914	Monkiawicz	451/533
1,569,403	A *	1/1926	Slye	451/548
3,046,708	A *	7/1962	Prunier	451/548
5,007,207	A *	4/1991	Phaal	451/548
5,131,190	A *	7/1992	Gougouyan	451/548
5,507,740	A *	4/1996	O'Donnell, Jr.	33/511
5,733,178	A *	3/1998	Ohishi	451/533
5,778,481	A *	7/1998	Amsden et al.	15/230
5,899,799	A *	5/1999	Tjaden et al.	15/230
5,921,855	A *	7/1999	Osterheld et al.	451/527
5,984,769	A *	11/1999	Bennett et al.	451/527

6,066,266	A *	5/2000	Osugi et al.	216/85
6,217,426	B1 *	4/2001	Tolles et al.	451/288
6,248,000	B1 *	6/2001	Aiyer	451/41
6,267,643	B1 *	7/2001	Teng et al.	451/287
6,273,806	B1 *	8/2001	Bennett et al.	451/527
6,332,830	B1 *	12/2001	Okamura et al.	451/288

(Continued)

FOREIGN PATENT DOCUMENTS

JP 1156333 10/2002

(Continued)

Primary Examiner—T. Chase Nelson

(74) *Attorney, Agent, or Firm*—Oblon, Spivak, McClelland,
Maier & Neustadt, P.C.

(57) **CLAIM**

The ornamental design for a polishing pad, as shown and described.

DESCRIPTION

FIG. 1 is a top plan view of a polishing pad, showing our new design;

FIG. 2 is a front elevational view thereof, the rear, left, and right side elevational views being mirror images of the view shown;

FIG. 3 is a bottom plan view thereof;

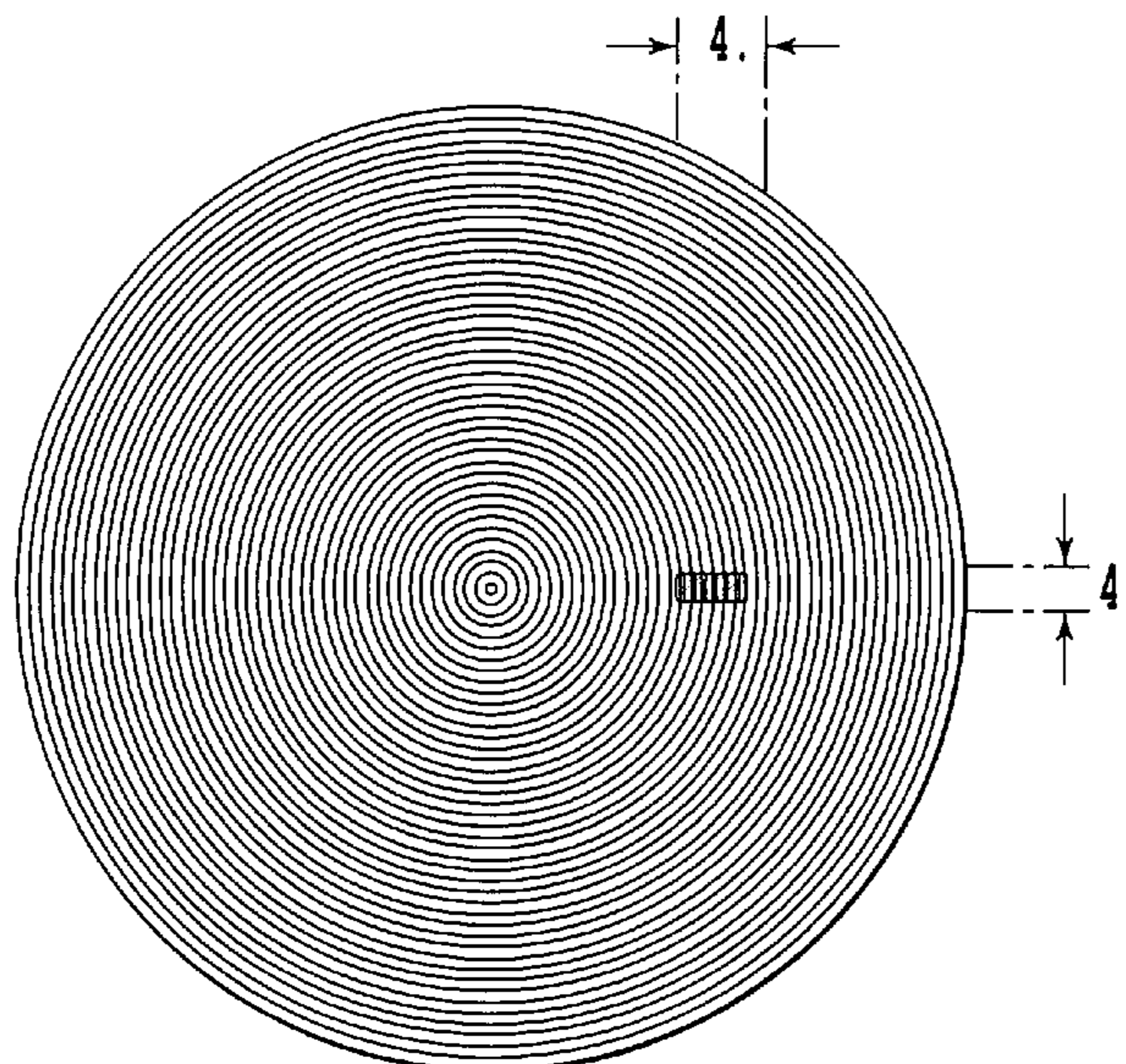
FIG. 4 is an enlarged, partial top plan view thereof taken along the intersection of lines 4—4 in FIG. 1;

FIG. 5 is an enlarged, partial sectional view thereof taken along line 5—5 in FIG. 4;

FIG. 6 is a greatly enlarged, partial cross-sectional view thereof taken along line 6 in FIG. 5; and,

FIG. 7 is an enlarged, partial bottom plan view taken along the intersection of lines 7—7 in FIG. 3.

1 Claim, 3 Drawing Sheets



US D559,065 S

Page 2

U.S. PATENT DOCUMENTS

6,375,550	B1 *	4/2002	Berman	451/288
6,402,594	B1 *	6/2002	Kobayashi et al.	451/287
6,443,810	B1 *	9/2002	Shih	451/446
6,517,417	B2 *	2/2003	Budinger et al.	451/6
6,520,847	B2 *	2/2003	Osterheld et al.	451/527
6,544,111	B1 *	4/2003	Kimura et al.	451/288
6,544,373	B2 *	4/2003	Chen et al.	451/533
6,561,890	B2 *	5/2003	Tominaga	451/527
6,645,061	B1 *	11/2003	Bennett et al.	451/527
6,659,850	B2 *	12/2003	Korovin et al.	451/288
6,685,548	B2 *	2/2004	Chen et al.	451/527
6,699,115	B2 *	3/2004	Osterheld et al.	451/527
6,702,651	B2 *	3/2004	Tolles	451/287
6,749,486	B2 *	6/2004	Shibuki	451/533
6,824,447	B2 *	11/2004	Takahashi et al.	451/6
6,824,455	B2 *	11/2004	Osterheld et al.	451/287
6,875,096	B2 *	4/2005	Park et al.	451/527
6,899,607	B2 *	5/2005	Brown	451/288
6,899,611	B2 *	5/2005	Reinhardt et al.	451/527
D510,850	S *	10/2005	Boler, Jr.	D8/70
6,951,510	B1 *	10/2005	Rodriguez et al.	451/288
6,960,123	B2 *	11/2005	Mitarai	451/533
7,029,747	B2 *	4/2006	Huh et al.	451/533
7,059,937	B2 *	6/2006	Brown	451/288
7,070,480	B2 *	7/2006	Moon et al.	451/527
7,112,119	B1 *	9/2006	Swedek et al.	451/6
7,121,938	B2 *	10/2006	Suzuki	451/526
7,183,213	B2 *	2/2007	Shiho et al.	451/56
2001/0031610	A1 *	10/2001	Budinger et al.	451/41
2002/0137450	A1 *	9/2002	Osterheld et al.	451/527

2003/0068964	A1 *	4/2003	Akagami et al.	451/287
2003/0092371	A1 *	5/2003	Osterheld et al.	451/527
2003/0194962	A1 *	10/2003	Weber	451/526
2003/0199234	A1 *	10/2003	Chen et al.	451/527
2003/0207651	A1 *	11/2003	Kim et al.	451/6
2004/0014413	A1 *	1/2004	Kawahashi et al.	451/527
2004/0053570	A1 *	3/2004	Naujok	451/527
2004/0058630	A1 *	3/2004	Park et al.	451/288
2004/0072516	A1 *	4/2004	Osterheld et al.	451/287
2004/0082271	A1 *	4/2004	Wiswesser et al.	451/6
2004/0102144	A1 *	5/2004	Brown	451/288
2004/0127145	A1 *	7/2004	Takahashi et al.	451/6
2004/0259476	A1 *	12/2004	Korovin et al.	451/6
2004/0259483	A1 *	12/2004	Newell	451/56
2005/0113011	A1 *	5/2005	Miyauchi et al.	451/527
2005/0142996	A1 *	6/2005	Ohno et al.	451/527
2005/0148183	A1 *	7/2005	Shiro et al.	451/66
2005/0191945	A1 *	9/2005	Petroski et al.	451/6
2005/0211376	A1 *	9/2005	Prasad	156/345.12
2005/0245171	A1 *	11/2005	Hosaka et al.	451/6
2006/0037699	A1 *	2/2006	Nakamori et al.	156/345.12
2006/0063471	A1 *	3/2006	Muldowney	451/6
2006/0194530	A1 *	8/2006	Thomson et al.	451/527
2006/0199473	A1 *	9/2006	Suzuki et al.	451/527
2006/0276109	A1 *	12/2006	Roy et al.	451/529
2007/0049167	A1 *	3/2007	Swedek et al.	451/6

FOREIGN PATENT DOCUMENTS

JP	1156872	10/2002
JP	1216127	8/2004

* cited by examiner

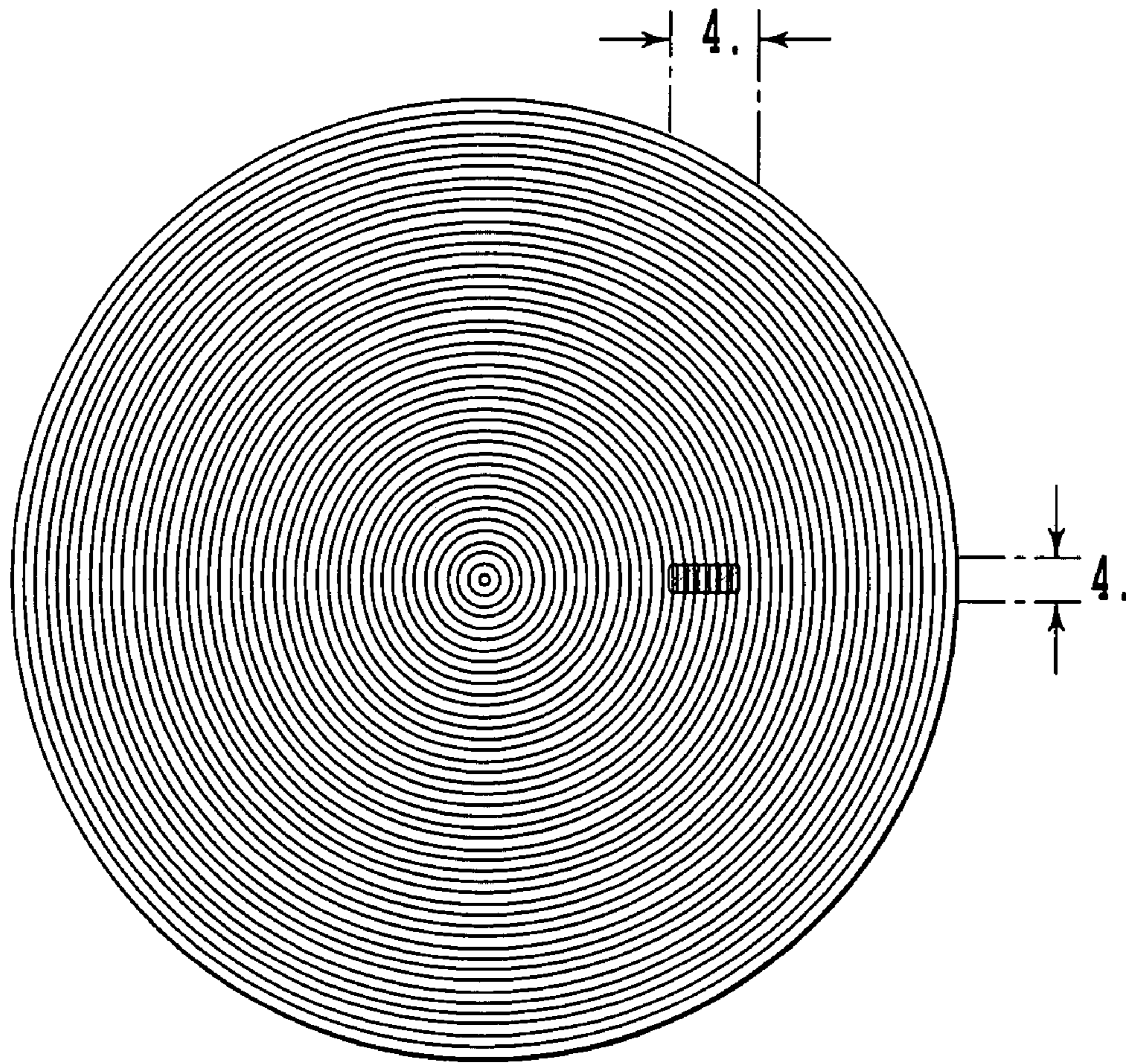


Fig. 1



Fig. 2

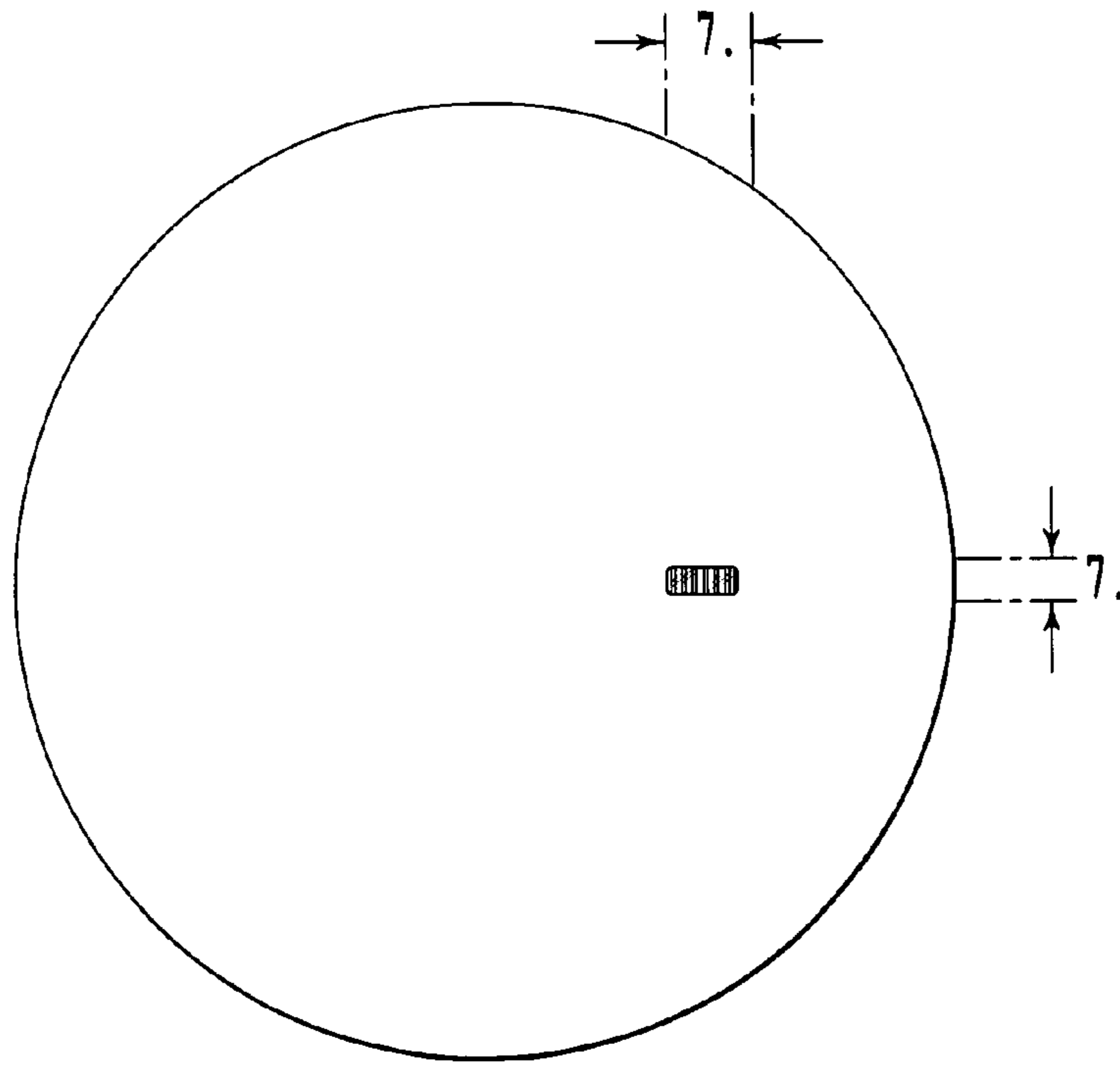


Fig. 3

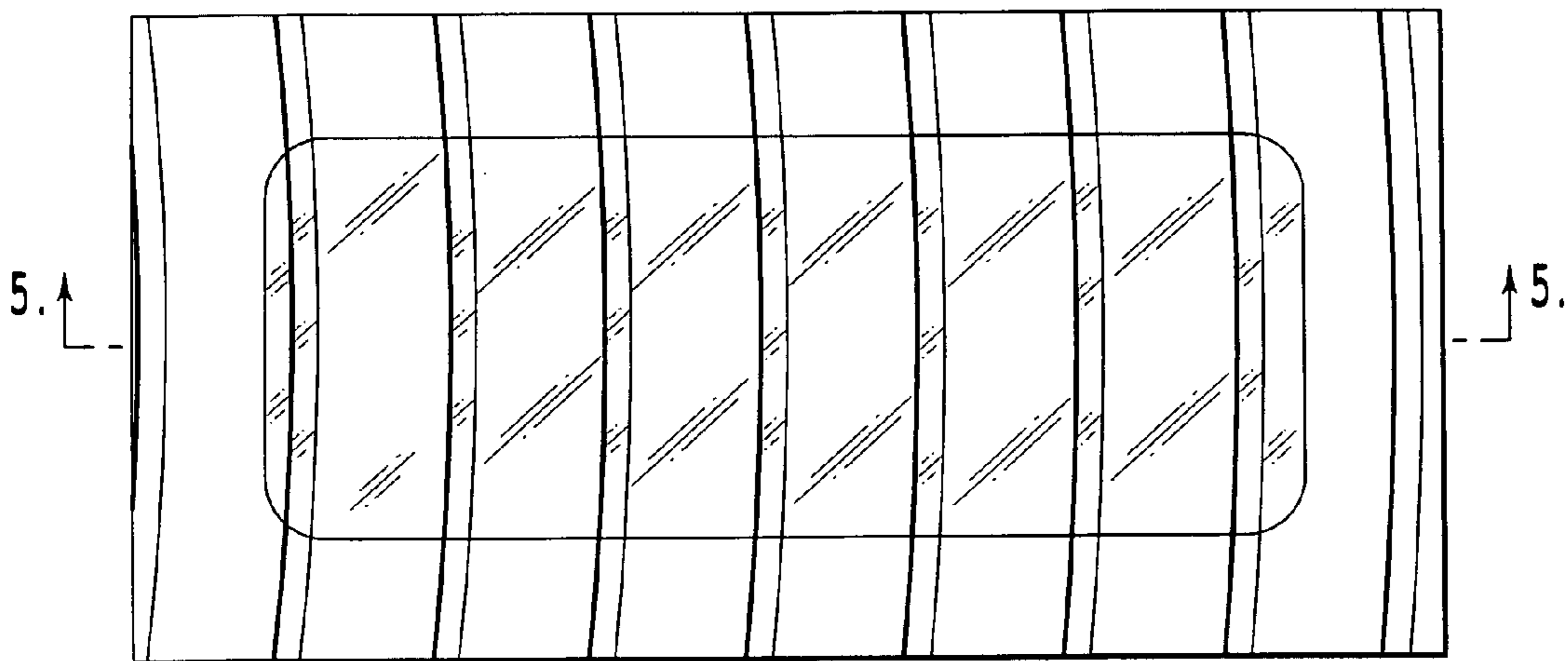


Fig. 4

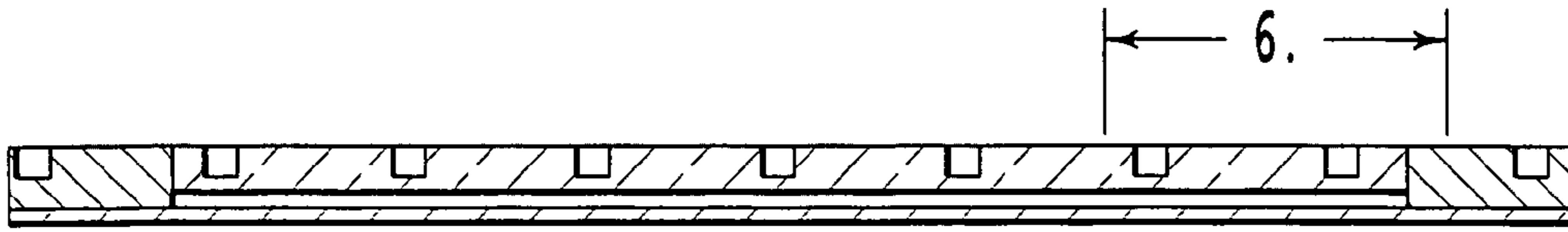


Fig. 5

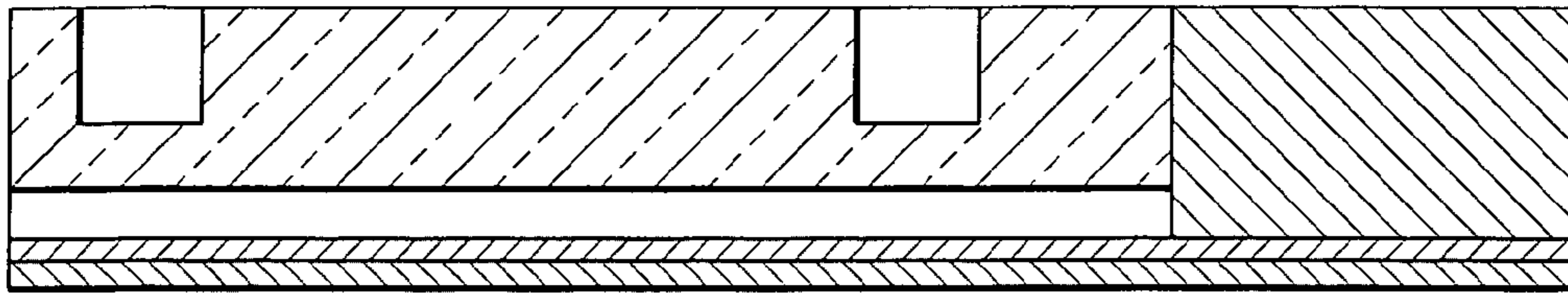


Fig. 6

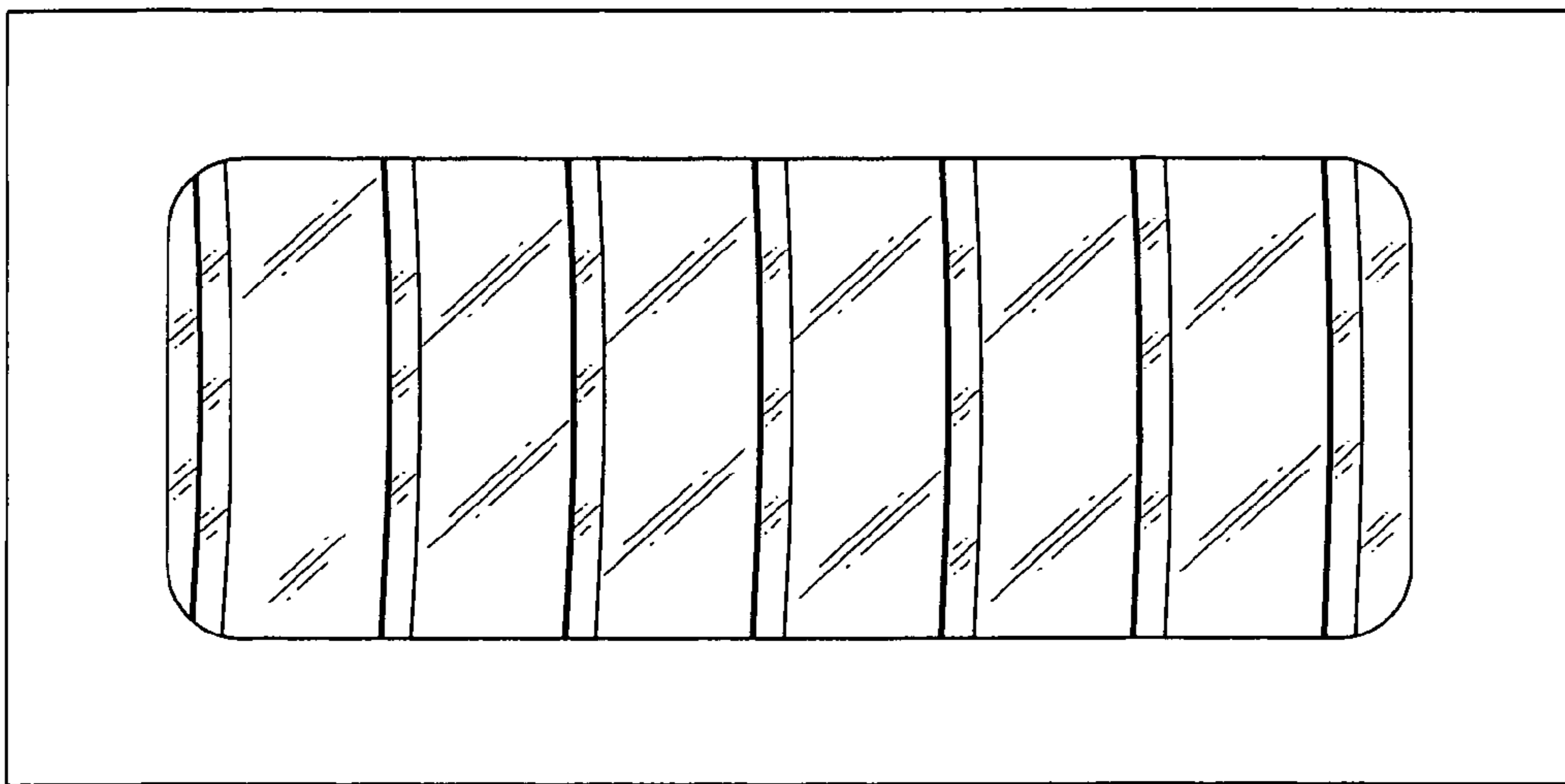


Fig. 7