



US00D559062S

(12) **United States Design Patent**  
**Concari**

(10) **Patent No.:** **US D559,062 S**  
(45) **Date of Patent:** **\*\* Jan. 8, 2008**

(54) **CORDLESS DRILL**

(75) Inventor: **Gabriel E. Concari**, Eldersburg, MD  
(US)

(73) Assignee: **Black & Decker Inc.**, Newark, DE  
(US)

(\*\*) Term: **14 Years**

(21) Appl. No.: **29/250,284**

(22) Filed: **Nov. 9, 2006**

**Related U.S. Application Data**

(62) Division of application No. 29/259,974, filed on May 18, 2006, now Pat. No. Des. 534,404.

(51) **LOC (8) Cl.** ..... **08-01**

(52) **U.S. Cl.** ..... **D8/68**

(58) **Field of Classification Search** ..... D8/14.1,  
D8/61-70; 81/57.11, 429, 454-456, 469,  
81/489; 173/13, 104, 114, 168-171, 178,  
173/201, 211, 213, 217; 408/20, 124, 125,  
408/234, 241 R; 451/358; 310/50; 227/8,  
227/113, 114, 120, 130, 136, 142  
See application file for complete search history.

(56) **References Cited**

**U.S. PATENT DOCUMENTS**

- D359,215 S \* 6/1995 Zurwelle ..... D8/68
- D368,214 S \* 3/1996 Zurwelle ..... D8/68
- D402,871 S \* 12/1998 Clowers et al. .... D8/68
- D421,883 S \* 3/2000 Watson et al. .... D8/68
- D428,320 S \* 7/2000 Ohi et al. .... D8/68
- D435,414 S \* 12/2000 Etter et al. .... D8/68
- D436,511 S \* 1/2001 Hayakawa et al. .... D8/68
- D437,759 S \* 2/2001 Breit et al. .... D8/68
- 6,308,378 B1 \* 10/2001 Mooty et al. .... 81/489
- 6,431,289 B1 \* 8/2002 Potter et al. .... 173/217
- D466,777 S \* 12/2002 Watson ..... D8/68
- D467,147 S \* 12/2002 Watson ..... D8/68
- D467,148 S \* 12/2002 Flickinger ..... D8/68
- 6,502,648 B2 \* 1/2003 Milbourne ..... 173/178

- D482,253 S \* 11/2003 Cooper et al. .... D8/68
- 6,805,207 B2 \* 10/2004 Hagan et al. .... 173/170
- D501,384 S \* 2/2005 Wright et al. .... D8/68

(Continued)

**FOREIGN PATENT DOCUMENTS**

- GB 2041265 S \* 8/1993
- GB 3001388 S \* 2/2002
- GB 3001389 S \* 2/2002

*Primary Examiner*—T. Chase Nelson

(74) *Attorney, Agent, or Firm*—Michael P. Leary; Charles E. Yocum; Adan Ayala

(57) **CLAIM**

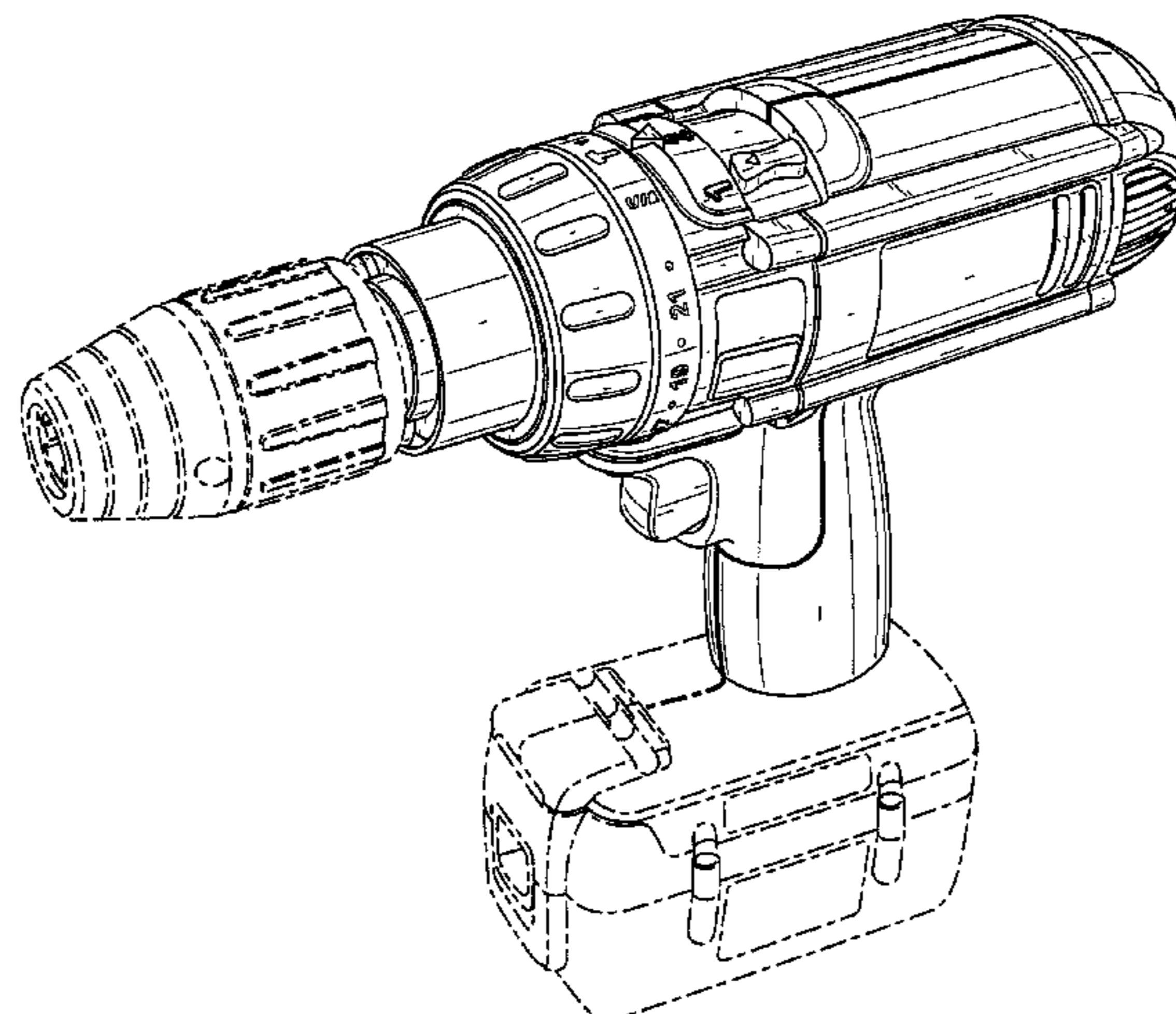
The ornamental design for a cordless drill, as shown and described.

**DESCRIPTION**

FIG. 1 is a left/front perspective view of a cordless drill.  
 FIG. 2 is a front elevational view thereof.  
 FIG. 3 is a rear elevational view thereof.  
 FIG. 4 is a right side elevational view thereof.  
 FIG. 5 is a left side elevational view thereof.  
 FIG. 6 is a top plan view thereof.  
 FIG. 7 is a bottom plan view thereof.  
 FIG. 8 is a left/front perspective view of the cordless drill of FIG. 1 depicted with alternate, broken line environmental structure.  
 FIG. 9 is a front elevational view thereof.  
 FIG. 10 is a rear elevational view thereof.  
 FIG. 11 is a right side elevational view thereof.  
 FIG. 12 is a left side elevational view thereof.  
 FIG. 13 is a top plan view thereof; and,  
 FIG. 14 is a bottom plan view thereof.

The broken lines and the areas within the broken lines form no part of the claimed design.

**1 Claim, 10 Drawing Sheets**



# US D559,062 S

Page 2

---

## U.S. PATENT DOCUMENTS

|                |        |                  |       |         |                   |         |                  |       |           |
|----------------|--------|------------------|-------|---------|-------------------|---------|------------------|-------|-----------|
| D501,779 S *   | 2/2005 | Watson           | ..... | D8/68   | 7,223,195 B2 *    | 5/2007  | Milbourne et al. | ..... | 173/178   |
| 6,984,188 B2 * | 1/2006 | Potter et al.    | ..... | 173/178 | 2002/0096341 A1 * | 7/2002  | Hagan et al.     | ..... | 173/170   |
| 7,066,691 B2 * | 6/2006 | Doyle et al.     | ..... | 408/124 | 2002/0096342 A1 * | 7/2002  | Milbourne        | ..... | 173/178   |
| D525,848 S *   | 8/2006 | Kokawa           | ..... | D8/68   | 2002/0096343 A1 * | 7/2002  | Potter et al.    | ..... | 173/216   |
| 7,101,300 B2 * | 9/2006 | Milbourne et al. | ..... | 173/178 | 2003/0002934 A1 * | 1/2003  | Hsu              | ..... | 408/241 R |
| D539,110 S *   | 3/2007 | Okuda            | ..... | D8/68   | 2004/0211576 A1 * | 10/2004 | Milbourne et al. | ..... | 173/216   |
| D540,639 S *   | 4/2007 | Watson           | ..... | D8/68   | 2005/0028997 A1 * | 2/2005  | Hagan et al.     | ..... | 173/178   |
| D543,081 S *   | 5/2007 | Watson           | ..... | D8/68   | 2005/0061524 A1 * | 3/2005  | Hagan et al.     | ..... | 173/217   |
| 7,220,211 B2 * | 5/2007 | Potter et al.    | ..... | 173/178 | 2006/0096771 A1 * | 5/2006  | Brotto           | ..... | 173/217   |

\* cited by examiner

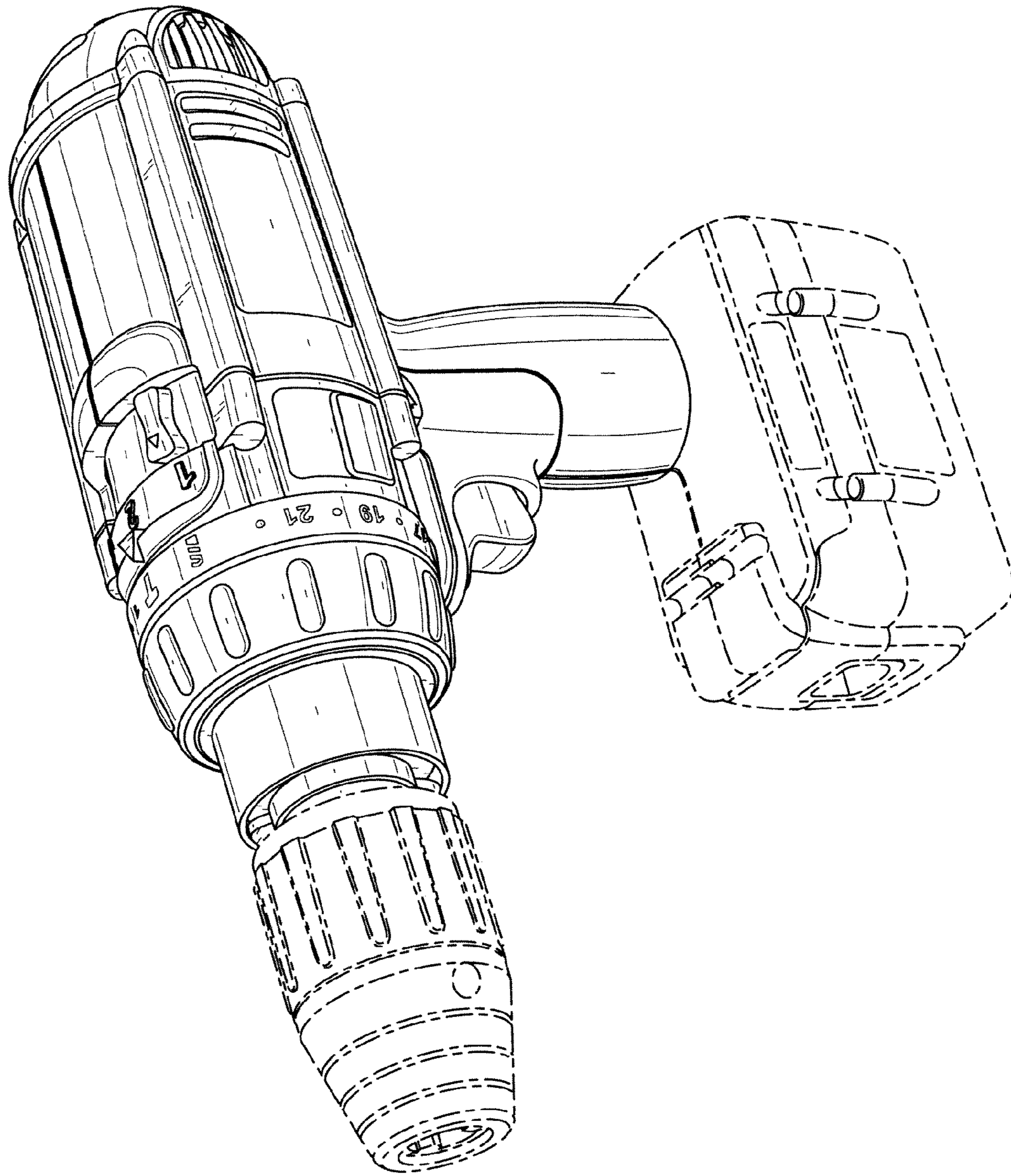


FIG. 1

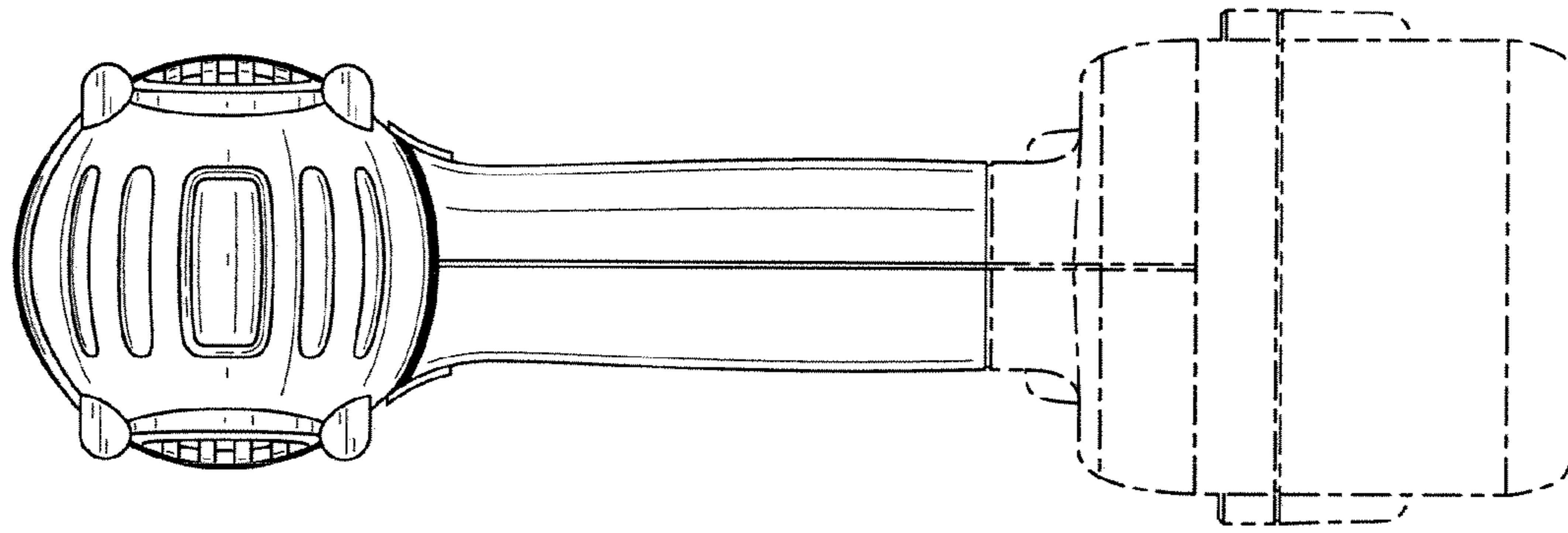


FIG. 3

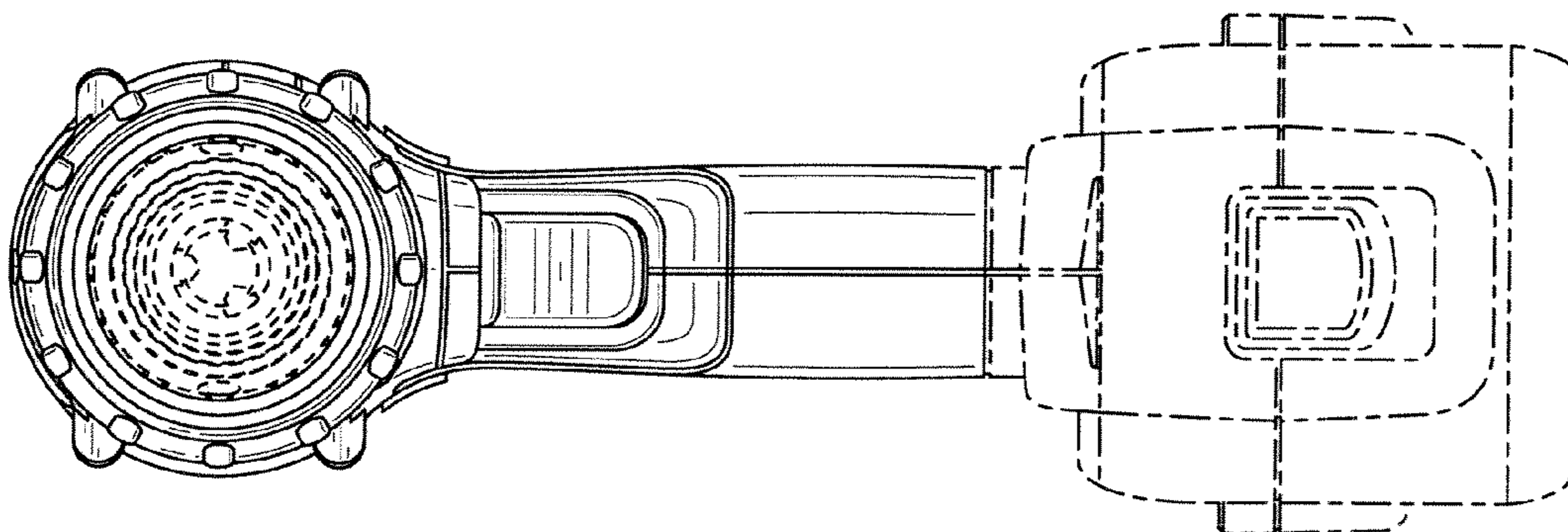


FIG. 2

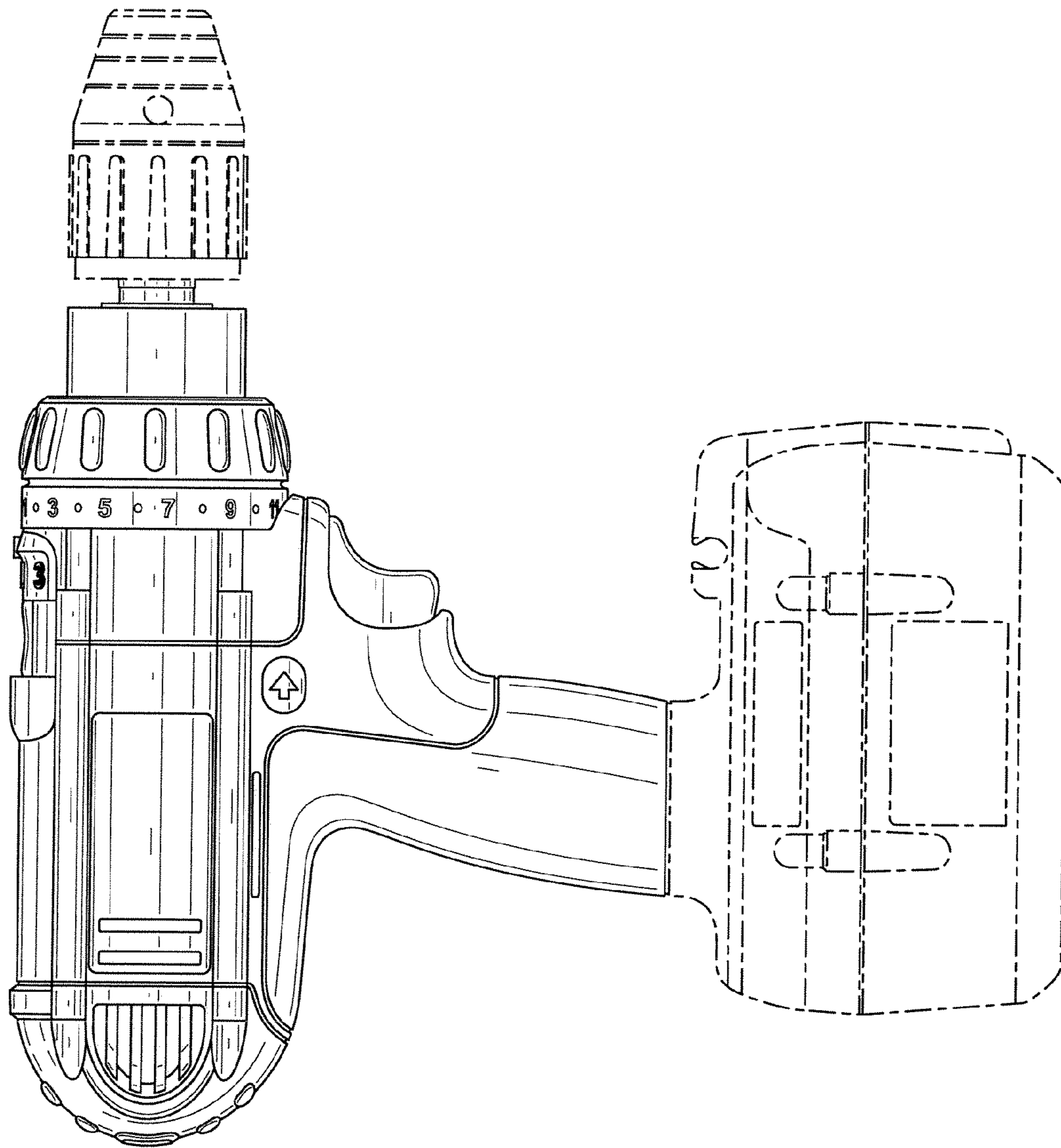


FIG. 4

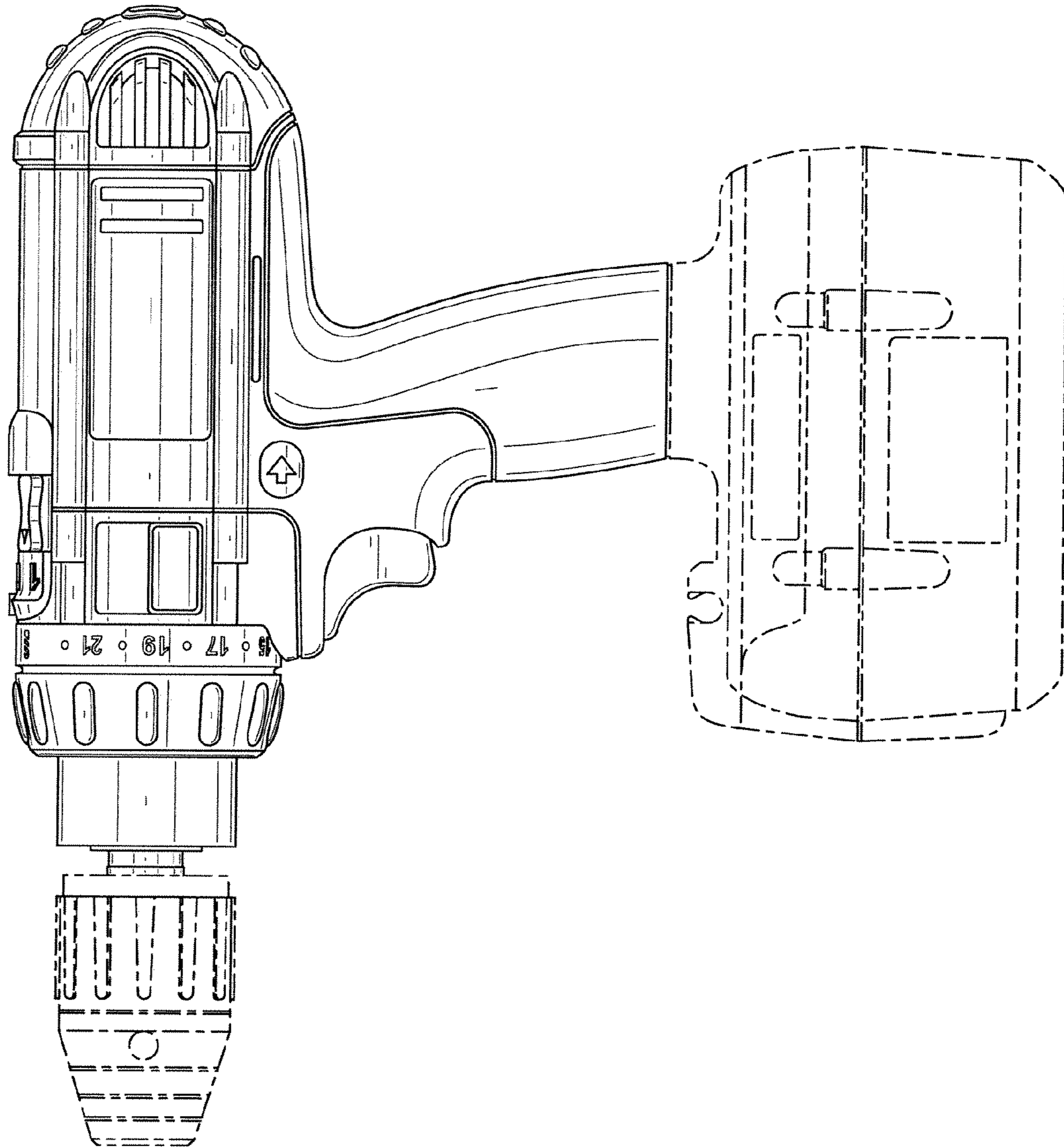


FIG. 5

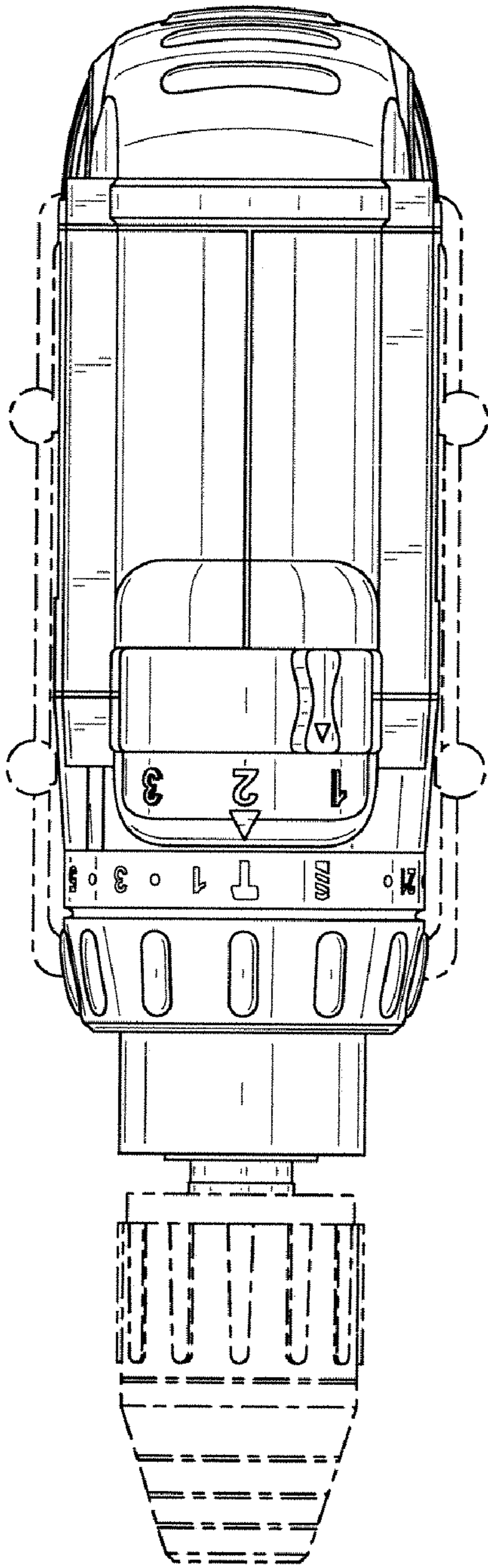


FIG. 6

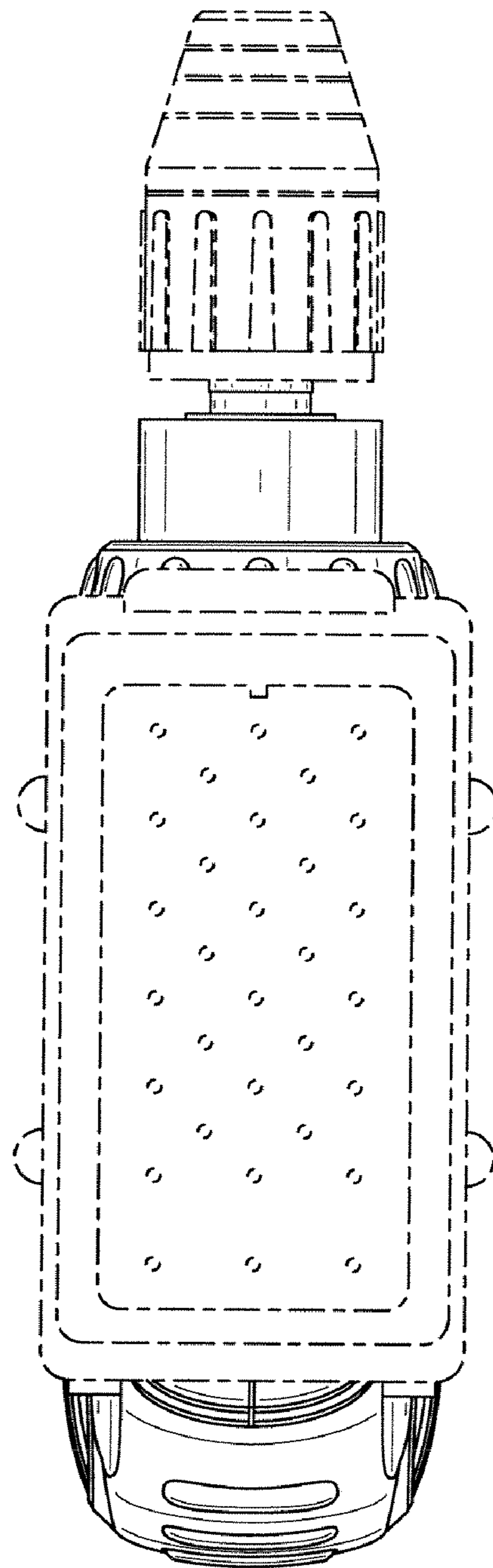


FIG. 7

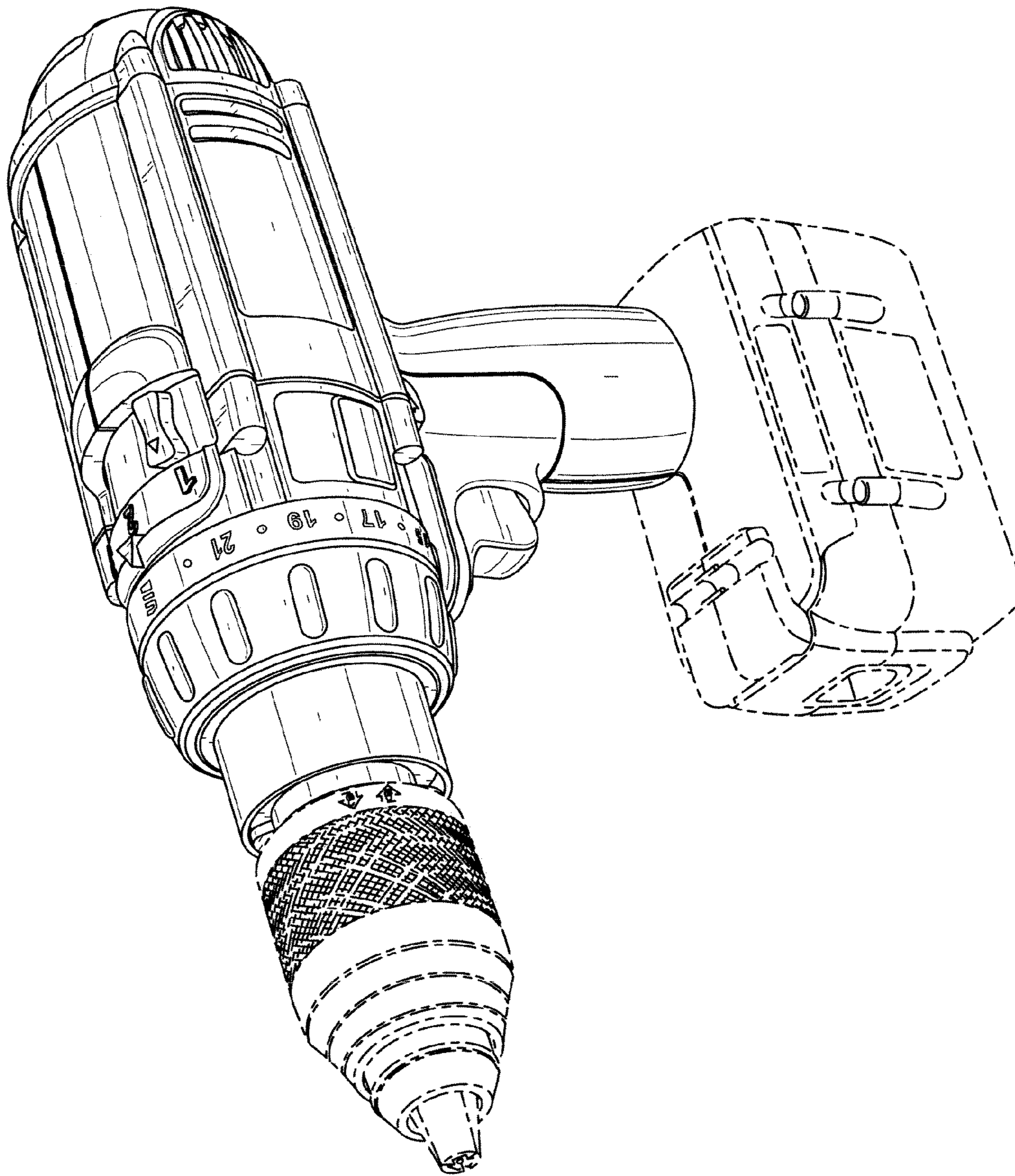


FIG. 8



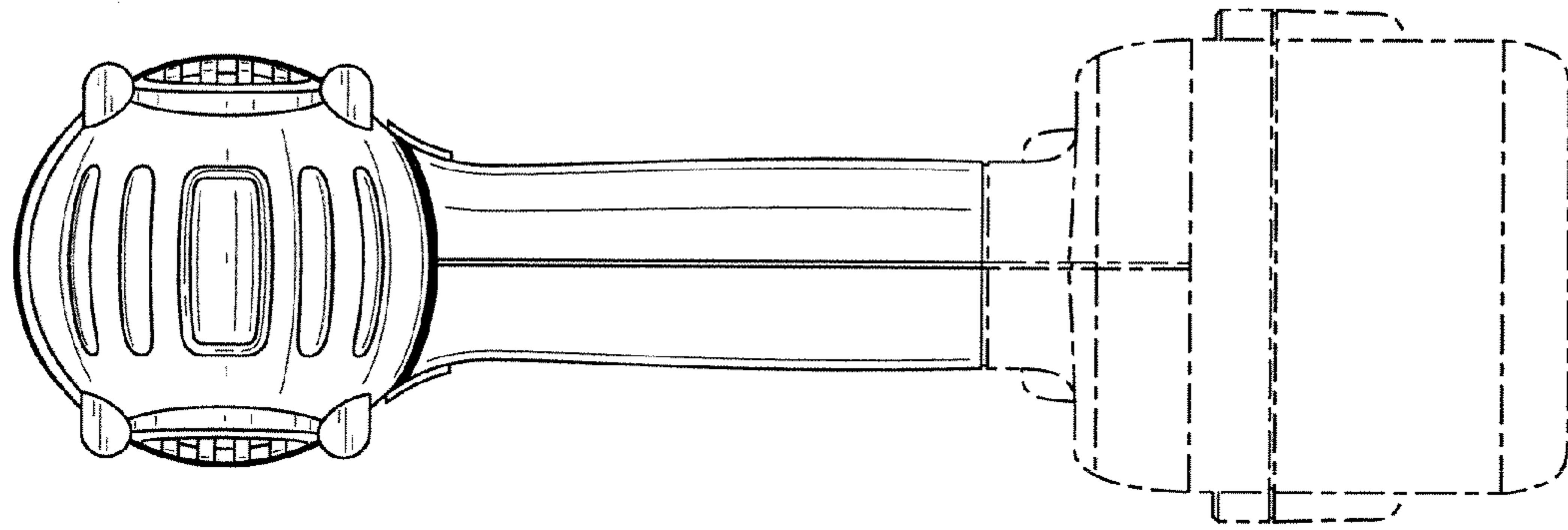


FIG. 10

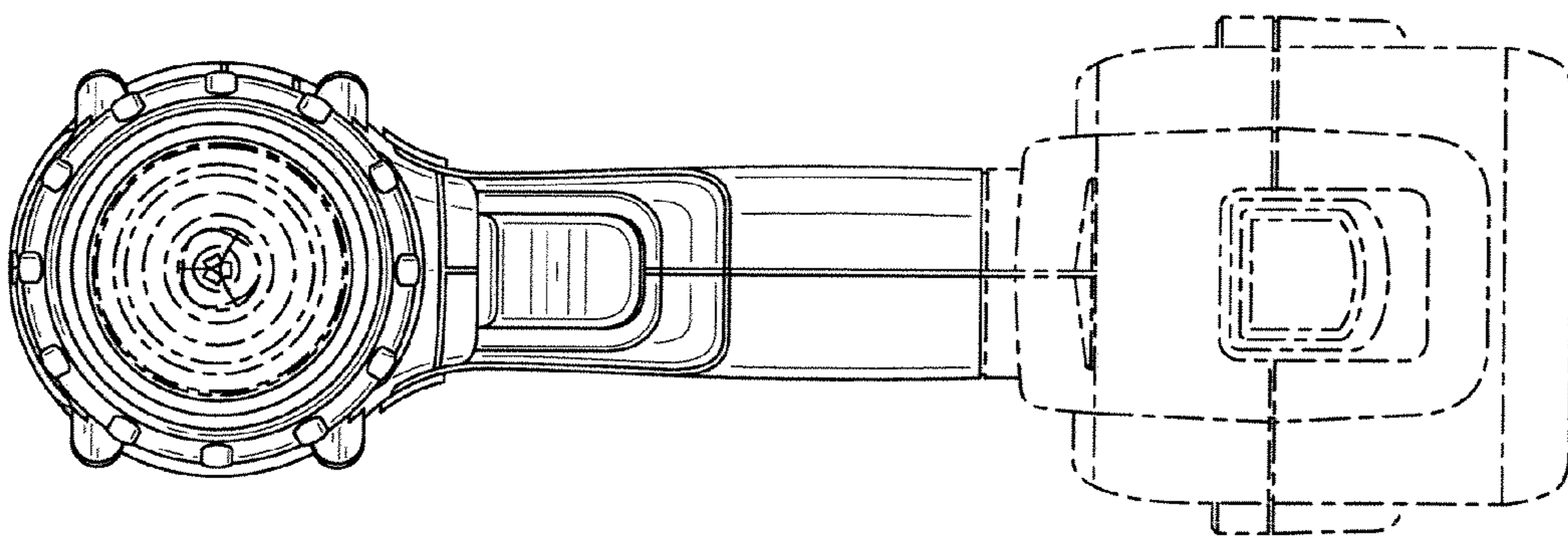


FIG. 9

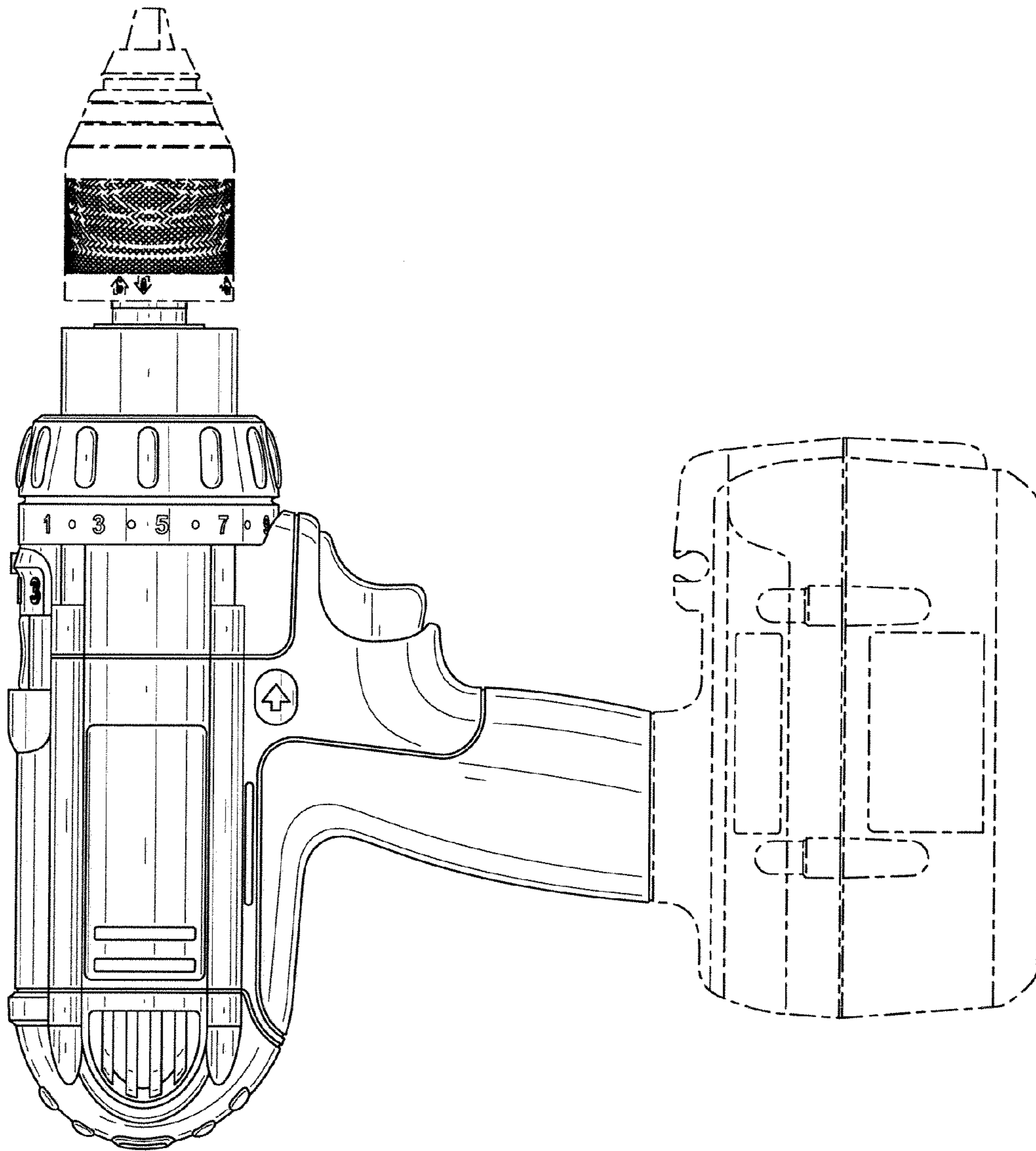


FIG. 11

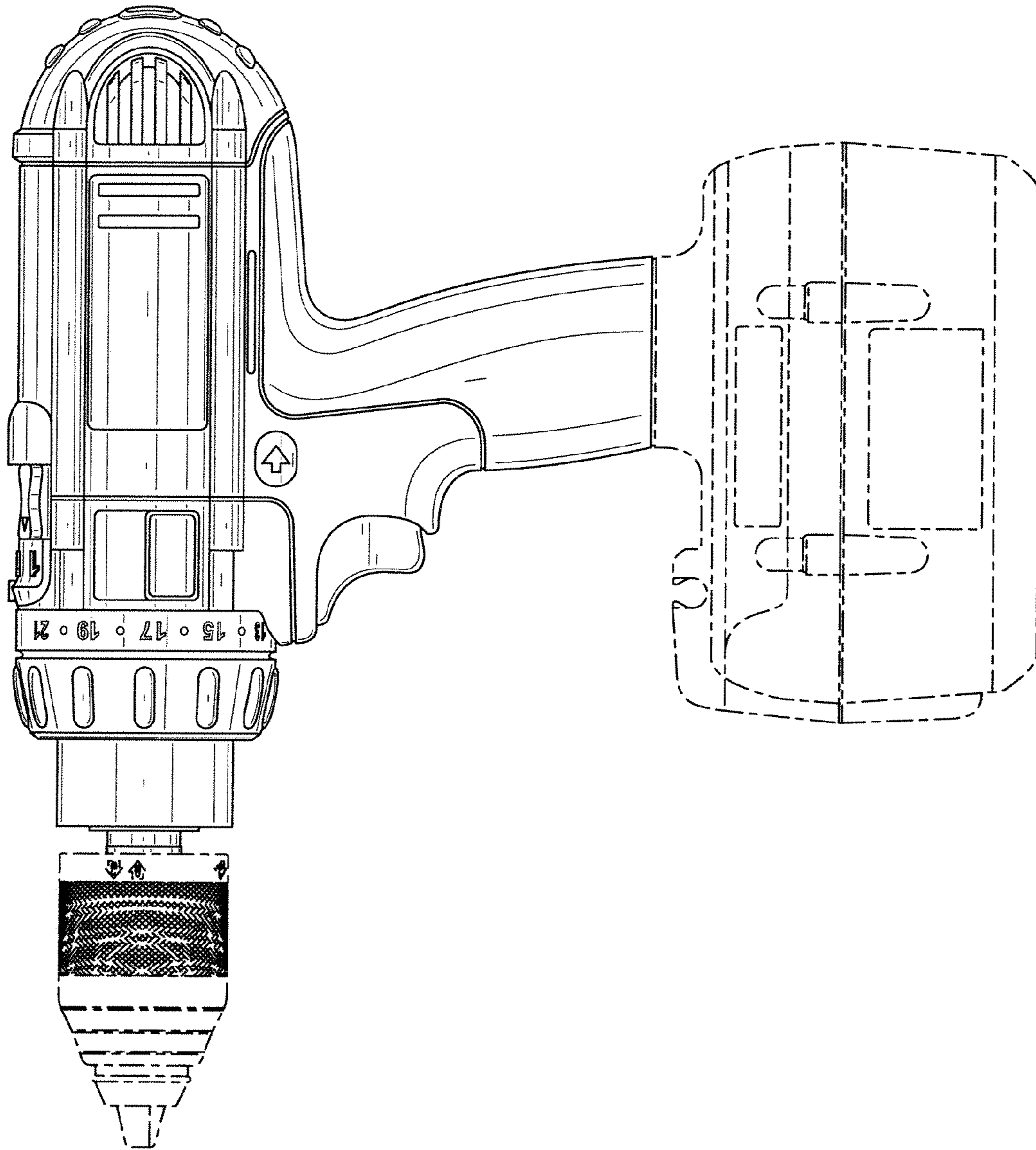


FIG. 12

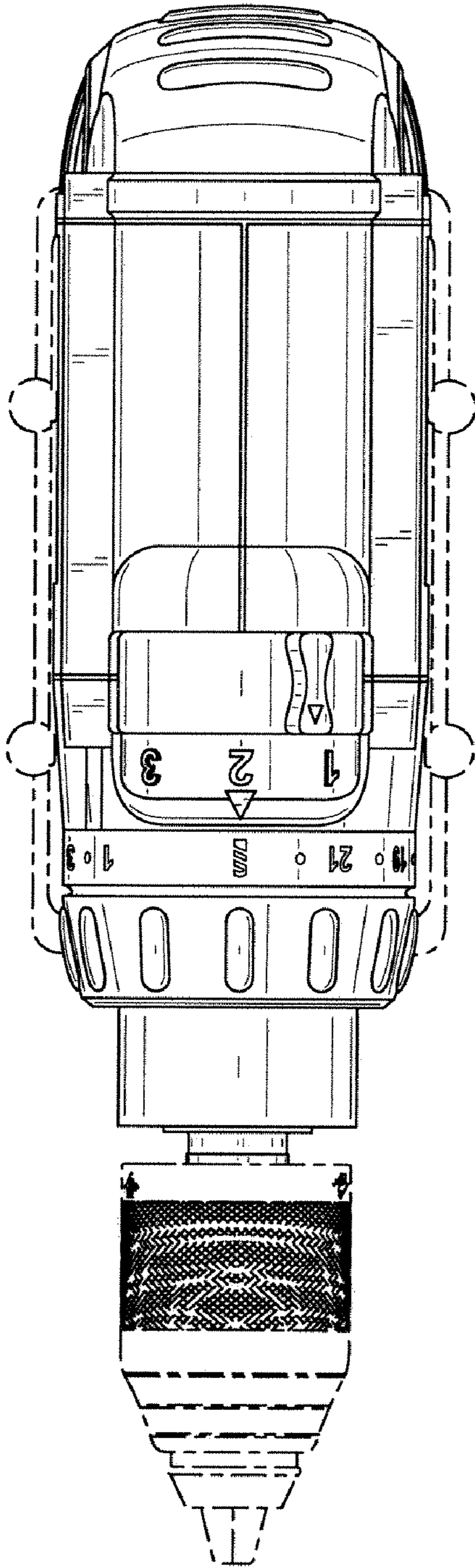


FIG. 13

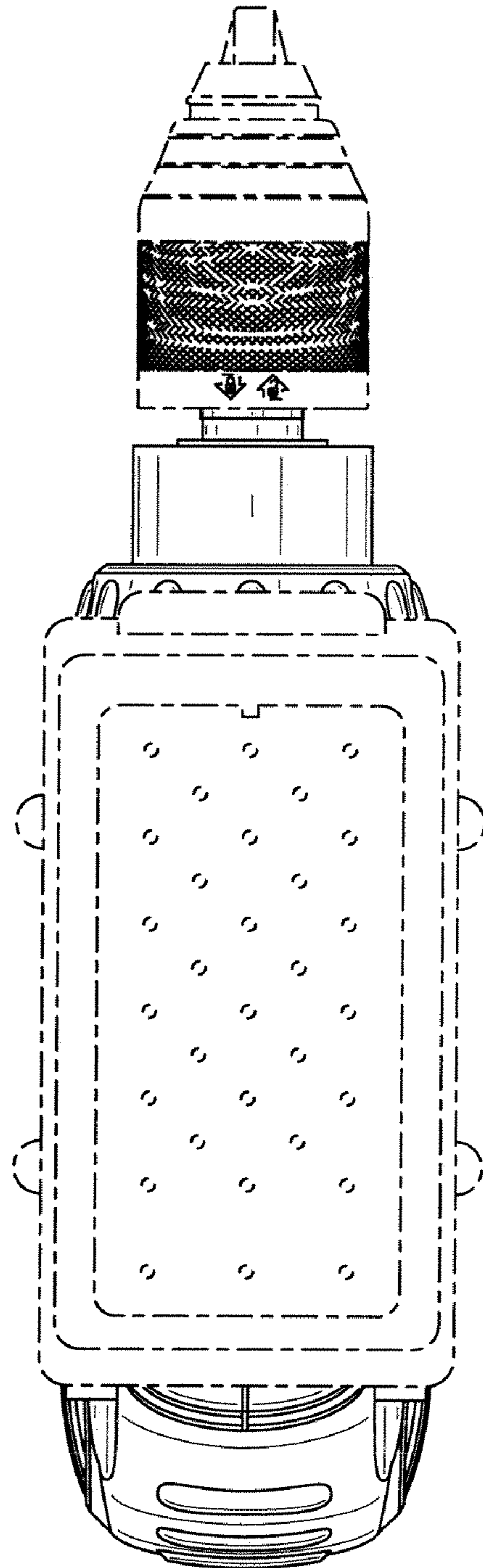


FIG. 14