



US00D559061S

(12) **United States Design Patent**  
**Concari**

(10) **Patent No.:** **US D559,061 S**

(45) **Date of Patent:** **\*\* Jan. 8, 2008**

(54) **CORDLESS DRILL**

(75) Inventor: **Gabriel E. Concari**, Eldersburg, MD  
(US)

(73) Assignee: **Black & Decker Inc.**, Newark, DE  
(US)

(\*\*) Term: **14 Years**

(21) Appl. No.: **29/250,283**

(22) Filed: **Nov. 9, 2006**

**Related U.S. Application Data**

(62) Division of application No. 29/259,974, filed on May 18, 2006, now Pat. No. Des. 534,404.

(51) **LOC (8) Cl.** ..... **08-01**

(52) **U.S. Cl.** ..... **D8/68**

(58) **Field of Classification Search** ..... D8/14.1,  
D8/61-70; 81/57.11, 429, 454-456, 469,  
81/489; 173/13, 104, 114, 168-171, 178,  
173/201, 211, 213, 217; 408/20, 124, 125,  
408/234, 241 R; 451/358; 310/50; 227/8,  
227/113, 114, 120, 130, 136, 142

See application file for complete search history.

(56) **References Cited**

**U.S. PATENT DOCUMENTS**

D359,215 S \* 6/1995 Zurwelle ..... D8/68  
D368,214 S \* 3/1996 Zurwelle ..... D8/68  
D402,871 S \* 12/1998 Clowers et al. .... D8/68  
D421,883 S \* 3/2000 Watson et al. .... D8/68  
D428,320 S \* 7/2000 Ohi et al. .... D8/68  
D435,414 S \* 12/2000 Etter et al. .... D8/68  
D436,511 S \* 1/2001 Hayakawa et al. .... D8/68  
D437,759 S \* 2/2001 Breit et al. .... D8/68  
6,308,378 B1 \* 10/2001 Mooty et al. .... 81/489  
6,431,289 B1 \* 8/2002 Potter et al. .... 173/217  
D466,777 S \* 12/2002 Watson ..... D8/68  
D467,147 S \* 12/2002 Watson ..... D8/68  
D467,148 S \* 12/2002 Flickinger ..... D8/68  
6,502,648 B2 \* 1/2003 Milbourne ..... 173/178

D482,253 S \* 11/2003 Cooper et al. .... D8/68  
6,805,207 B2 \* 10/2004 Hagan et al. .... 173/170  
D501,384 S \* 2/2005 Wright et al. .... D8/68  
D501,779 S \* 2/2005 Watson ..... D8/68  
6,984,188 B2 \* 1/2006 Potter et al. .... 173/178  
7,066,691 B2 \* 6/2006 Doyle et al. .... 408/124  
D525,848 S \* 8/2006 Kokawa ..... D8/68  
7,101,300 B2 \* 9/2006 Milbourne et al. .... 173/178  
D539,110 S \* 3/2007 Okuda ..... D8/68  
D540,639 S \* 4/2007 Watson ..... D8/68  
D542,815 S \* 5/2007 Concari et al. .... D15/140  
D543,081 S \* 5/2007 Watson ..... D8/68  
7,220,211 B2 \* 5/2007 Potter et al. .... 173/178  
7,223,195 B2 \* 5/2007 Milbourne et al. .... 173/178  
2002/0096341 A1 \* 7/2002 Hagan et al. .... 173/170  
2002/0096342 A1 \* 7/2002 Milbourne ..... 173/178

(Continued)

**FOREIGN PATENT DOCUMENTS**

GB 2041265 S \* 8/1993  
GB 3001388 S \* 2/2002  
GB 3001389 S \* 2/2002

*Primary Examiner*—T. Chase Nelson  
(74) *Attorney, Agent, or Firm*—Michael P. Leary; Charles E. Yocum; Adan Ayala

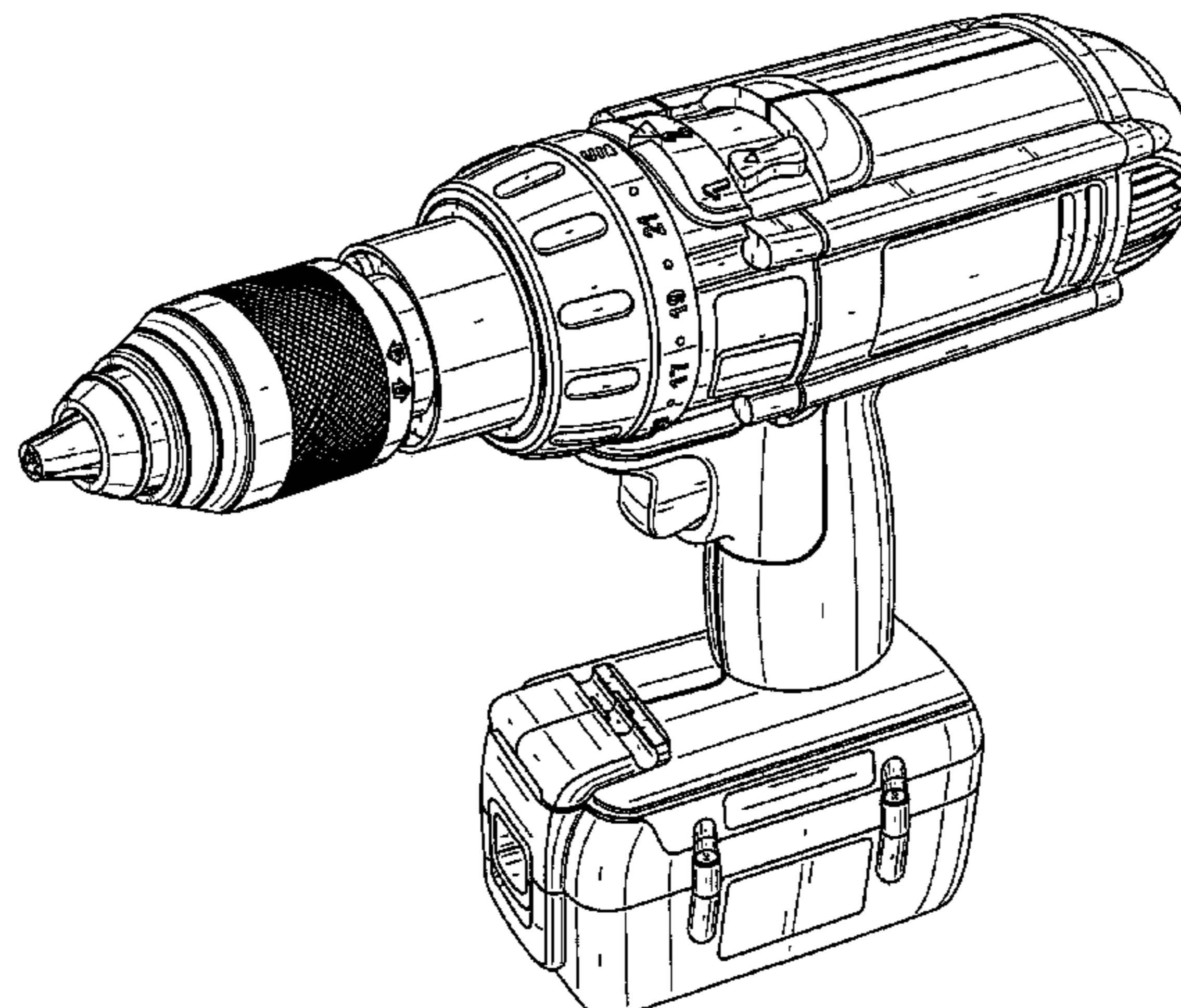
(57) **CLAIM**

The ornamental design for a cordless drill, as shown and described.

**DESCRIPTION**

FIG. 1 is a left/front perspective view of a cordless drill.  
FIG. 2 is a front elevational view thereof.  
FIG. 3 is a rear elevational view thereof.  
FIG. 4 is a right side elevational view thereof.  
FIG. 5 is a left side elevational view thereof.  
FIG. 6 is a top plan view thereof; and,  
FIG. 7 is a bottom plan view thereof.

**1 Claim, 5 Drawing Sheets**



# US D559,061 S

Page 2

---

## U.S. PATENT DOCUMENTS

2002/0096343	A1*	7/2002	Potter et al. ....	173/216	2005/0028997	A1*	2/2005	Hagan et al. ....	173/178
2003/0002934	A1*	1/2003	Hsu .....	408/241 R	2005/0061524	A1*	3/2005	Hagan et al. ....	173/217
2003/0143042	A1*	7/2003	Doyle et al. ....	408/124	2006/0096771	A1*	5/2006	Brotto .....	173/217
2004/0211576	A1*	10/2004	Milbourne et al. ....	173/216					

\* cited by examiner

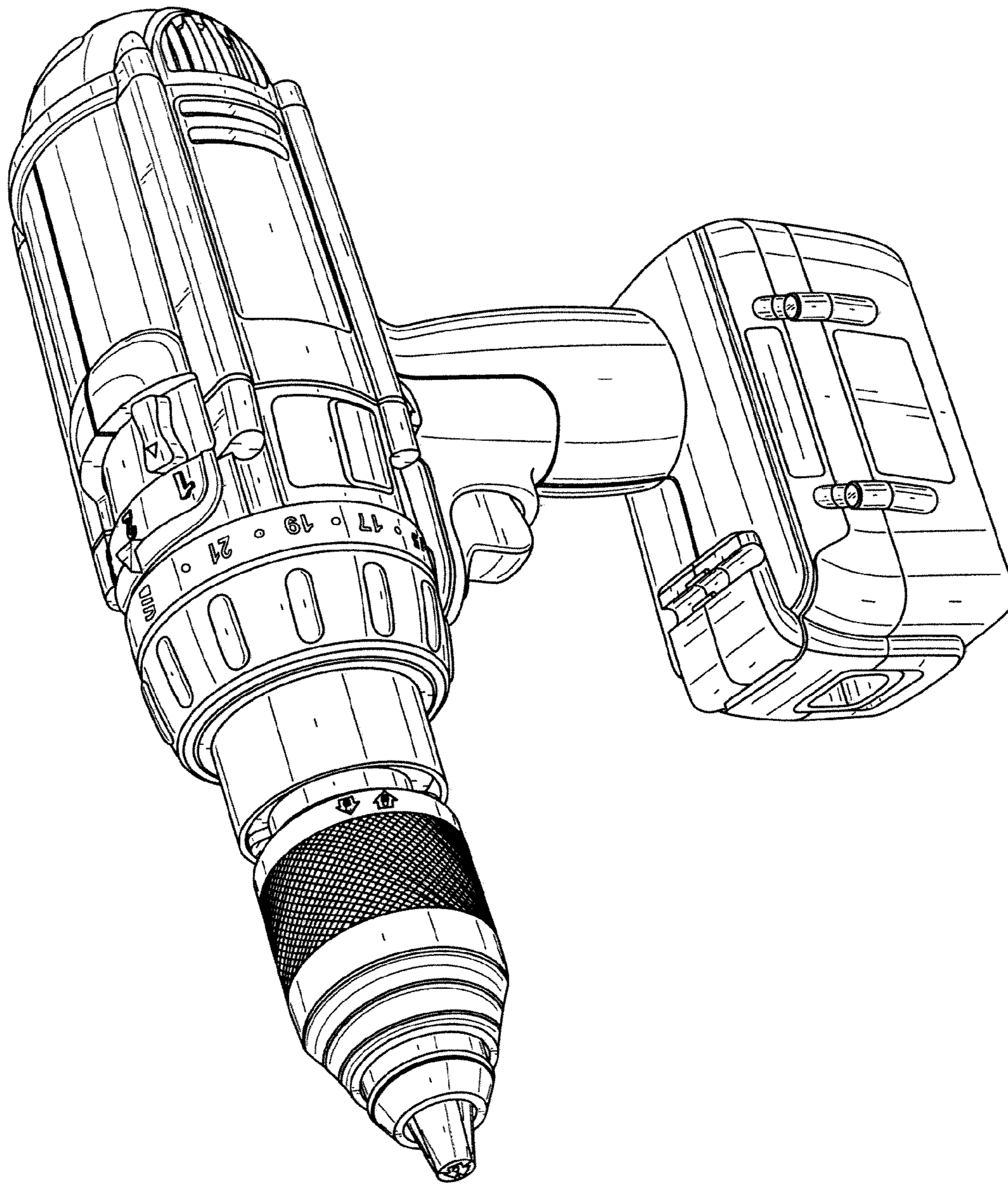


FIG. 1



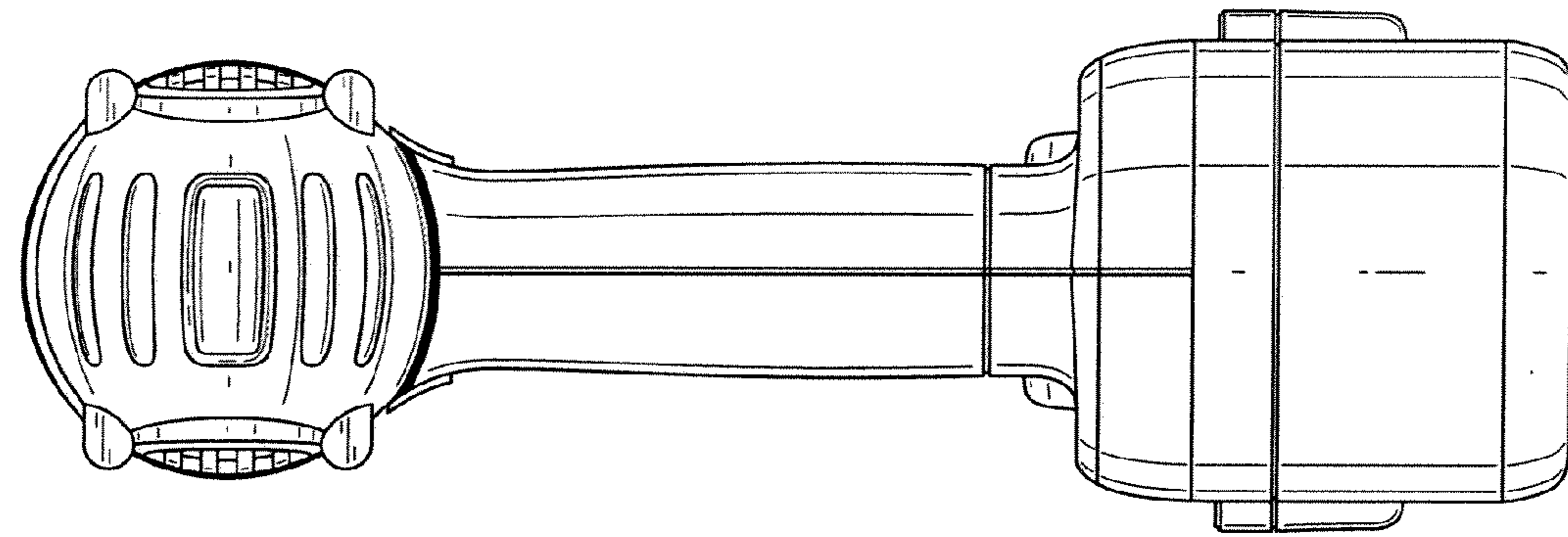


FIG. 3

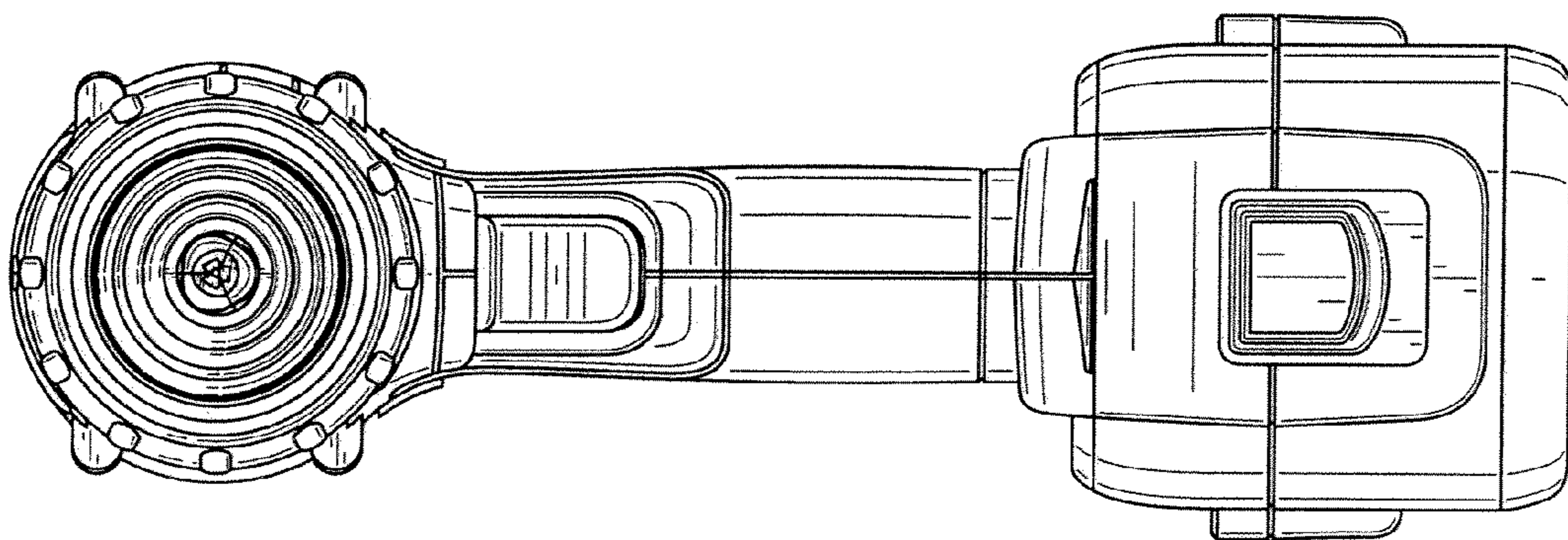


FIG. 2

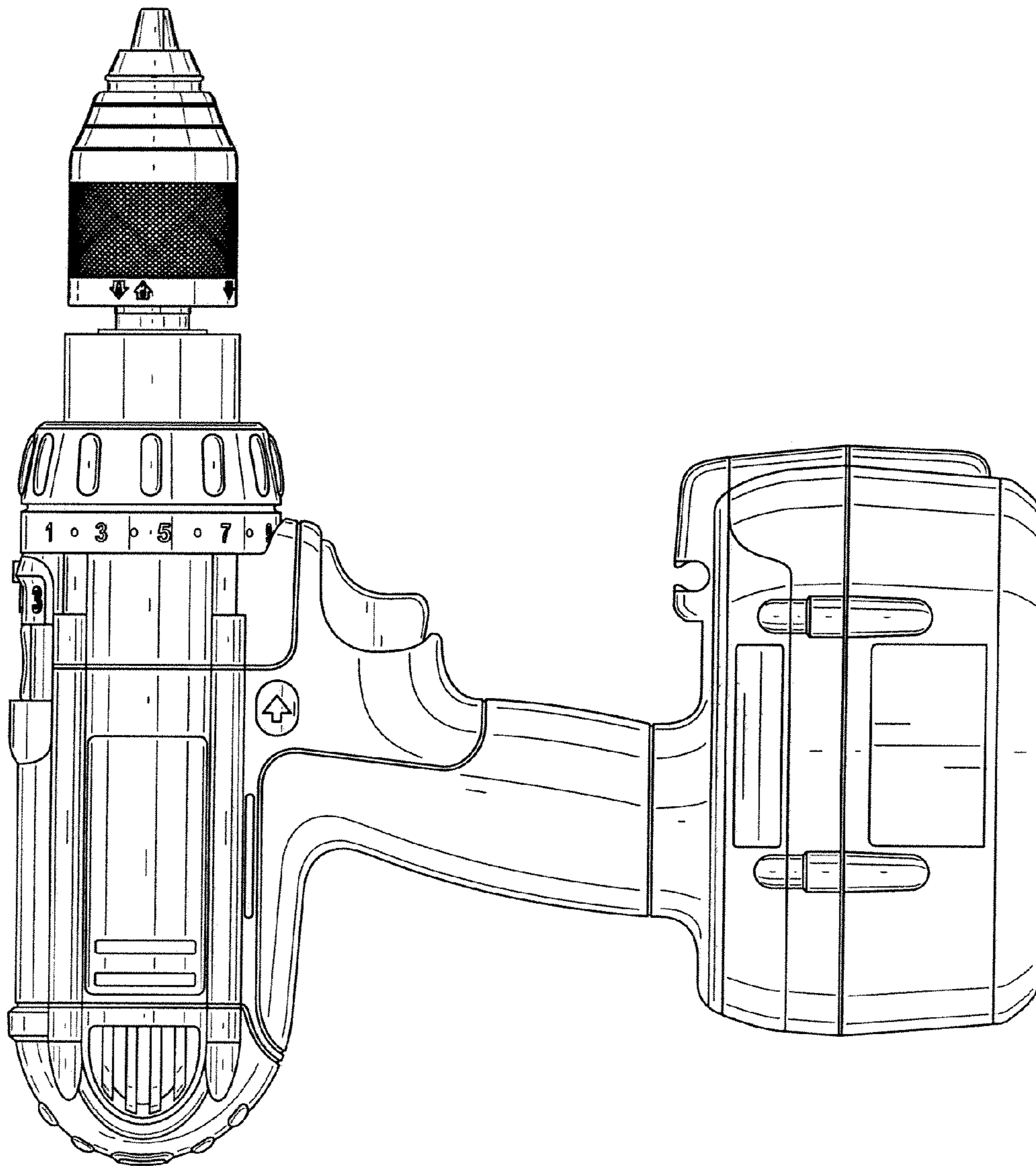


FIG. 4

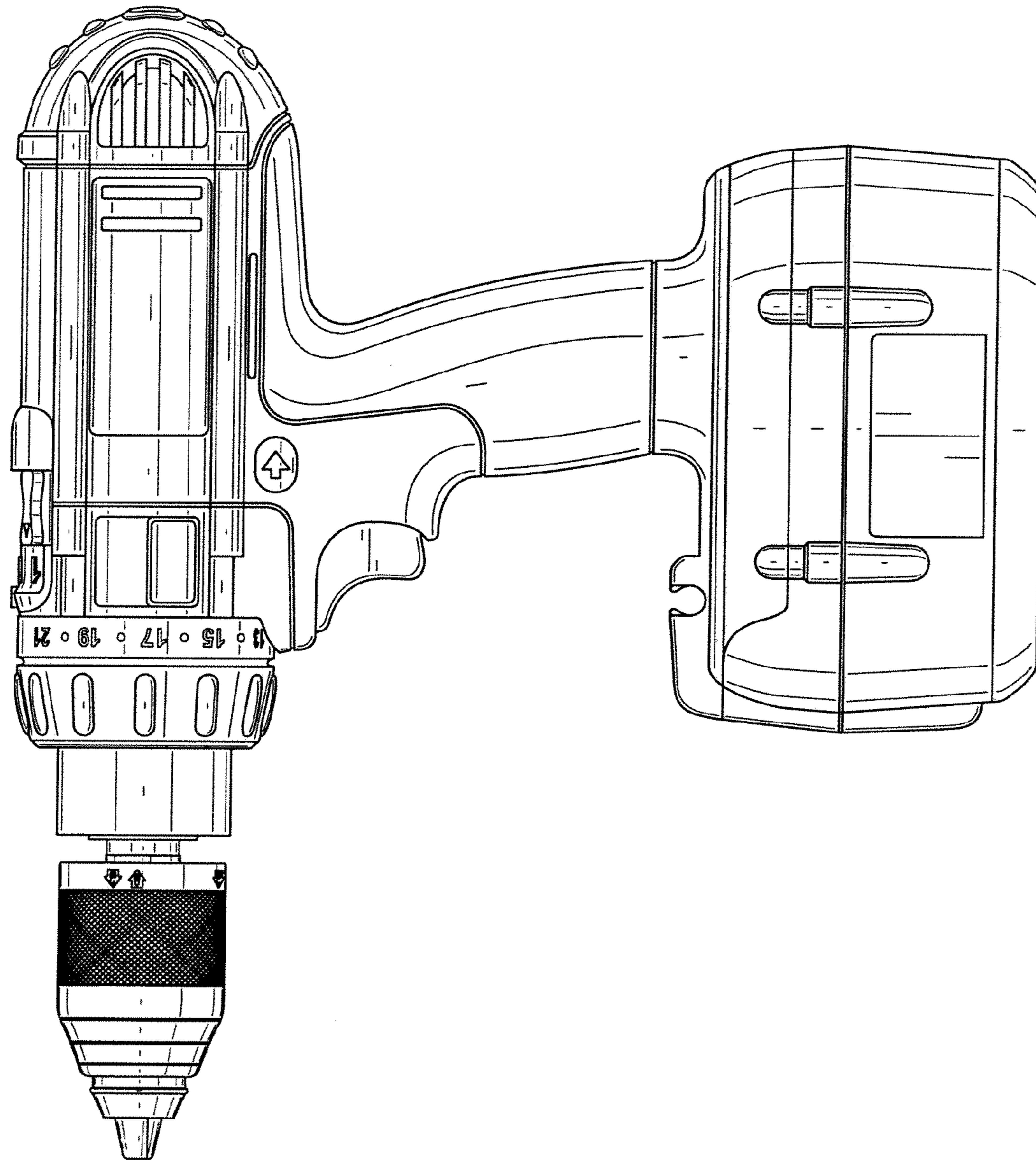


FIG. 5



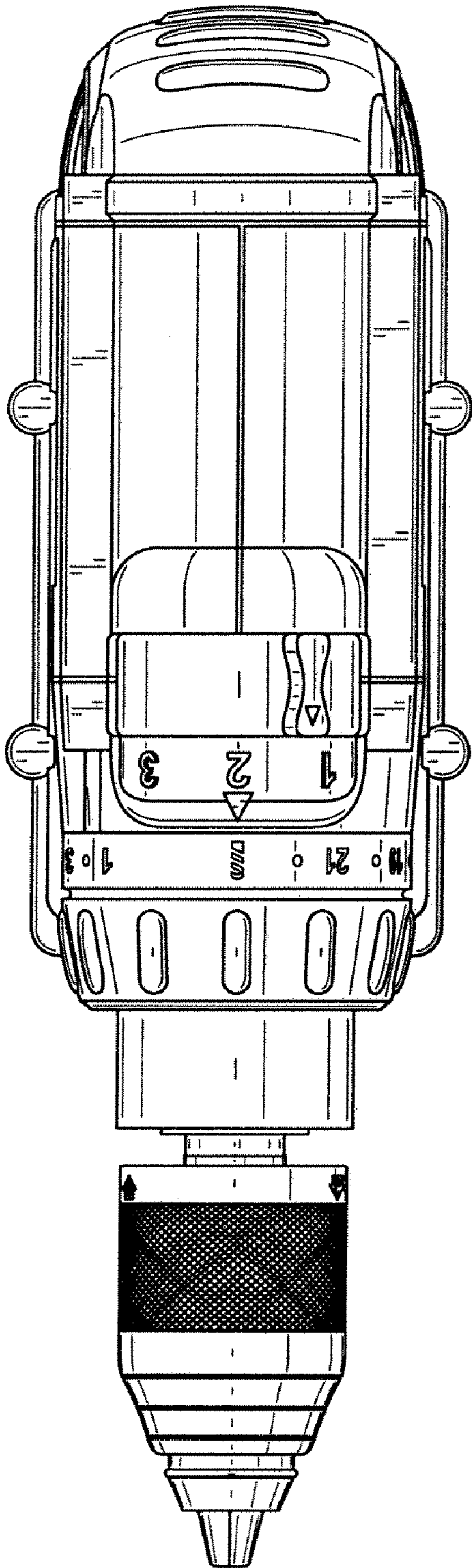


FIG. 6

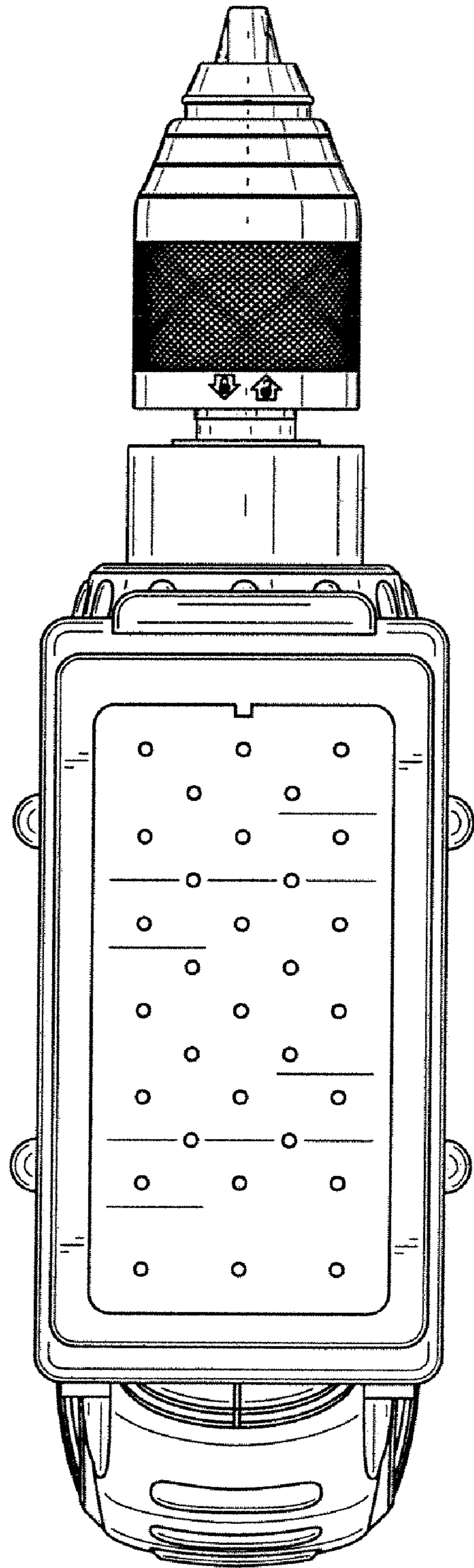


FIG. 7