

US00D559060S

(12) **United States Design Patent** (10) **Patent No.:** **US D559,060 S**
Lopano (45) **Date of Patent:** **** *Jan. 8, 2008**

(54) **IMPACT WRENCH**
(75) Inventor: **Daniel N. Lopano**, Towson, MD (US)
(73) Assignee: **Black & Decker Inc.**, Newark, DE (US)
(**) Term: **14 Years**
(21) Appl. No.: **29/249,114**
(22) Filed: **Sep. 21, 2006**

D493,344 S * 7/2004 Watson D8/68
D494,435 S * 8/2004 Hayakawa et al. D8/68
D499,624 S * 12/2004 Concari et al. D8/68
D499,945 S * 12/2004 Sugawara et al. D8/68
6,860,342 B1 * 3/2005 Wu et al. 173/217
6,883,621 B1 * 4/2005 Lin 173/217
D508,642 S * 8/2005 Kokawa et al. D8/68
D508,643 S * 8/2005 Concari et al. D8/68
6,984,188 B2 * 1/2006 Potter et al. 173/178
7,066,691 B2 * 6/2006 Doyle et al. 408/124
D525,100 S * 7/2006 Huang et al. D8/68
7,101,300 B2 * 9/2006 Milbourne et al. 173/178
7,121,362 B2 * 10/2006 Hsu et al. 173/170
D534,404 S * 1/2007 Concari D8/68
D535,536 S * 1/2007 Ghode et al. D8/68

Related U.S. Application Data

(63) Continuation of application No. 29/237,148, filed on Aug. 26, 2005.

(51) **LOC (8) Cl.** **08-05**
(52) **U.S. Cl.** **D8/68**
(58) **Field of Classification Search** D8/14.1, D8/61-70; 81/57.11, 429, 454-456, 469, 81/489; 173/13, 104, 114, 168-171, 178, 173/201, 211, 213, 217; 408/20, 124, 125, 408/234, 241 R; 451/358; 310/50; 227/8, 227/113, 114, 120, 130, 136, 142
See application file for complete search history.

(Continued)

FOREIGN PATENT DOCUMENTS

GB 2041266 S * 8/1993

Primary Examiner—T. Chase Nelson

(74) *Attorney, Agent, or Firm*—Michael P. Leary; Charles E. Yocum; Adan Ayala

(57) **CLAIM**

The ornamental design for an impact wrench, as shown and described.

(56) **References Cited**

U.S. PATENT DOCUMENTS

D156,319 S * 12/1949 Bushnell D8/68
D295,714 S * 5/1988 Sasaki et al. D8/68
D320,917 S * 10/1991 Fushiya et al. D8/68
D339,046 S * 9/1993 Fushiya et al. D8/68
D340,396 S * 10/1993 Ichikawa D8/68
D392,863 S * 3/1998 Sugimoto et al. D8/68
D424,902 S * 5/2000 Gildersleeve et al. D8/68
D437,761 S * 2/2001 Okumura et al. D8/68
D446,704 S * 8/2001 Shibata et al. D8/68
D462,594 S * 9/2002 Flickinger D8/68
D477,205 S * 7/2003 Sakai et al. D8/68
D484,385 S * 12/2003 Sakai et al. D8/68
D489,955 S * 5/2004 Concari et al. D8/68
6,729,415 B1 * 5/2004 Huang 173/217

DESCRIPTION

FIG. 1 is a left front perspective view of an impact wrench showing my new design.

FIG. 2 is a front view thereof.

FIG. 3 is a rear view thereof.

FIG. 4 is a right side view thereof.

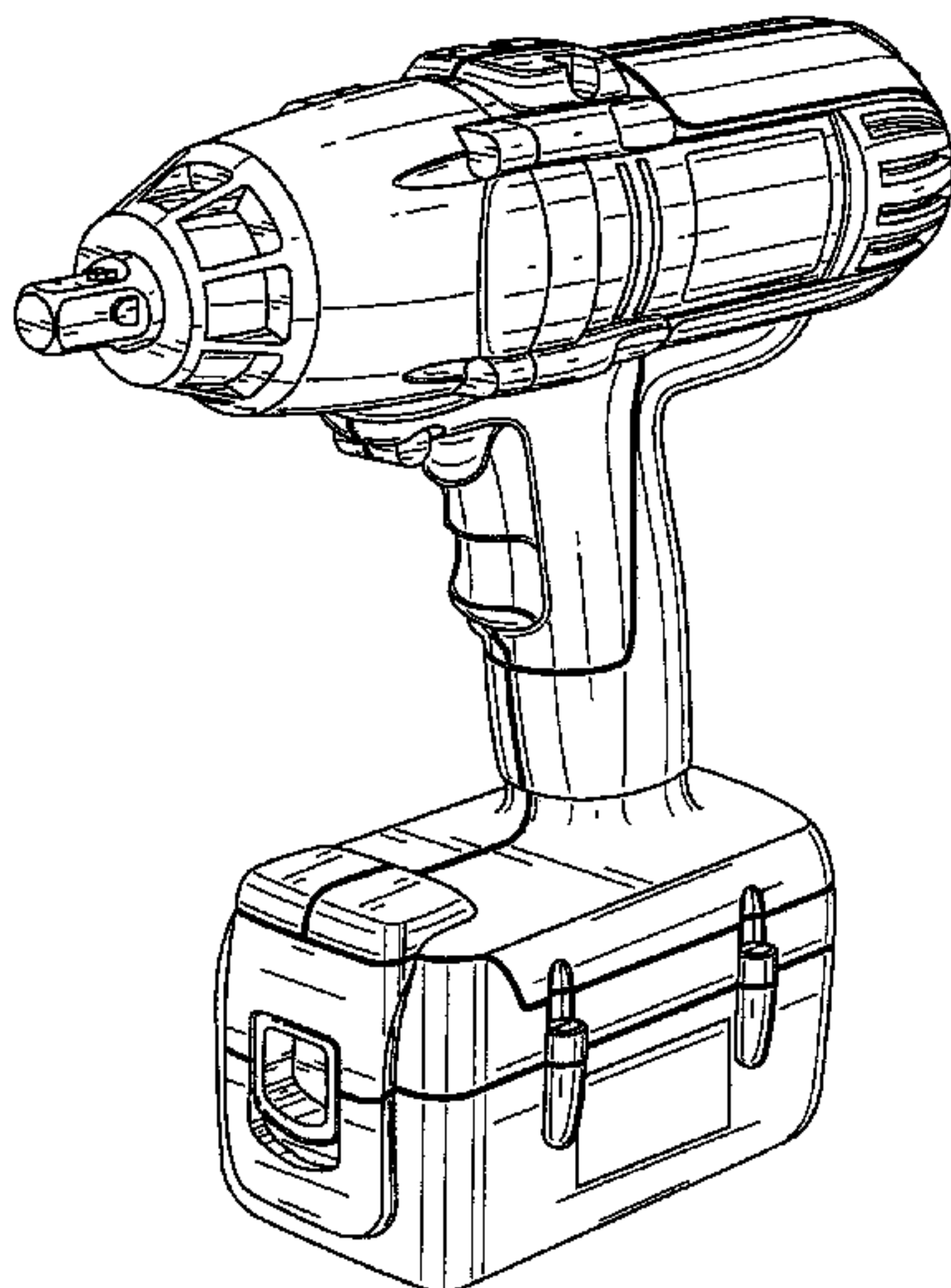
FIG. 5 is a left-side view thereof.

FIG. 6 is a top view thereof; and,

FIG. 7 is a bottom view thereof.

The broken lines and the areas within the broken lines form no part of the claimed design.

1 Claim, 7 Drawing Sheets



US D559,060 S

Page 2

U.S. PATENT DOCUMENTS

7,186,117 B2 *	3/2007	Chen	310/50	2003/0159843 A1 *	8/2003	Sakai et al.	173/217
D540,639 S *	4/2007	Watson	D8/68	2005/0022638 A1 *	2/2005	Milbourne et al.	81/466
D543,081 S *	5/2007	Watson	D8/68	2005/0121209 A1 *	6/2005	Shimizu et al.	173/217
7,220,211 B2 *	5/2007	Potter et al.	173/178	2006/0096771 A1 *	5/2006	Brotto	173/217
7,223,195 B2 *	5/2007	Milbourne et al.	173/178	2006/0113100 A1 *	6/2006	Hsu et al.	173/217
2002/0122707 A1 *	9/2002	Sakai et al.	408/241 R					

* cited by examiner

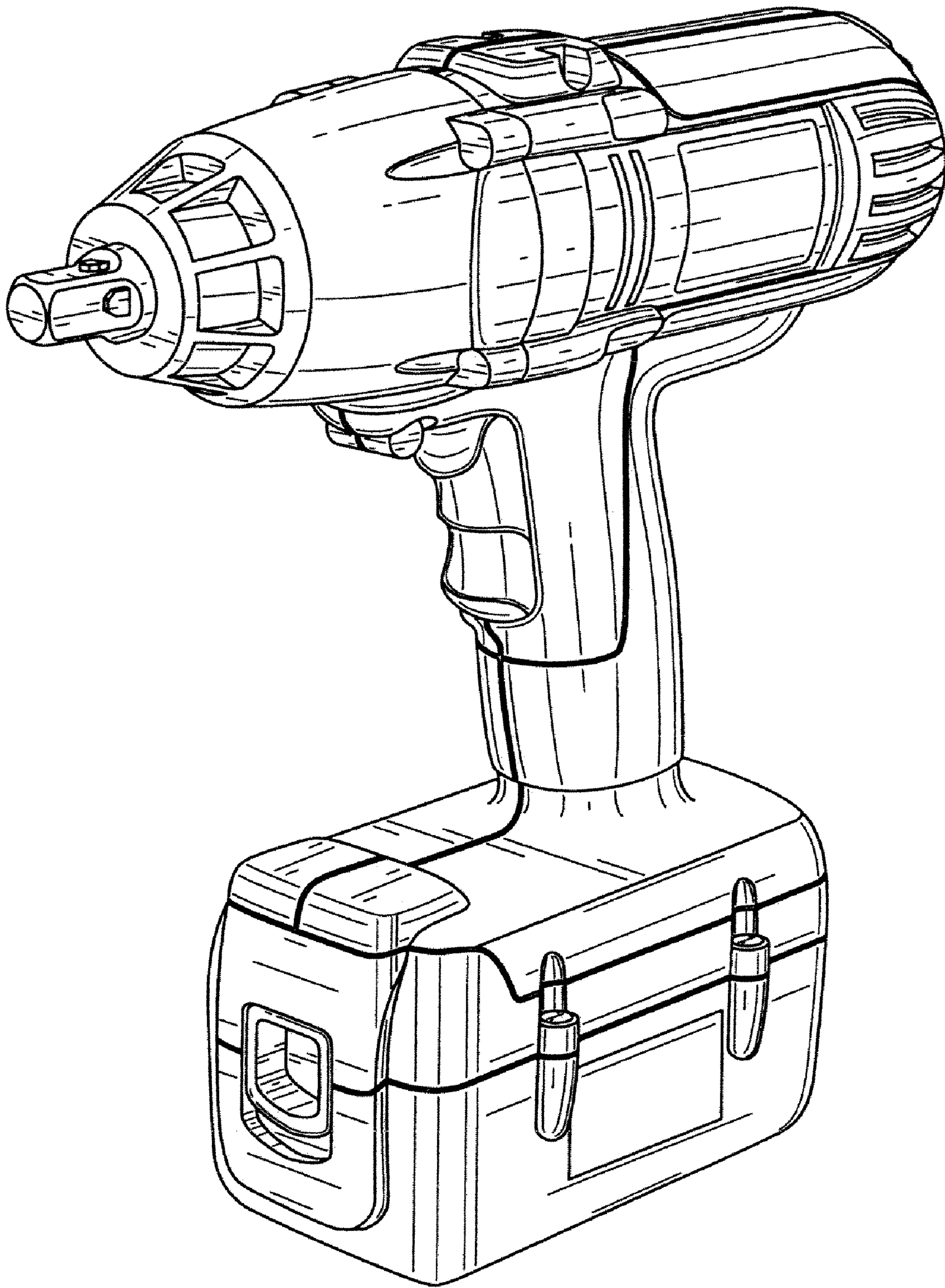


FIG. 1

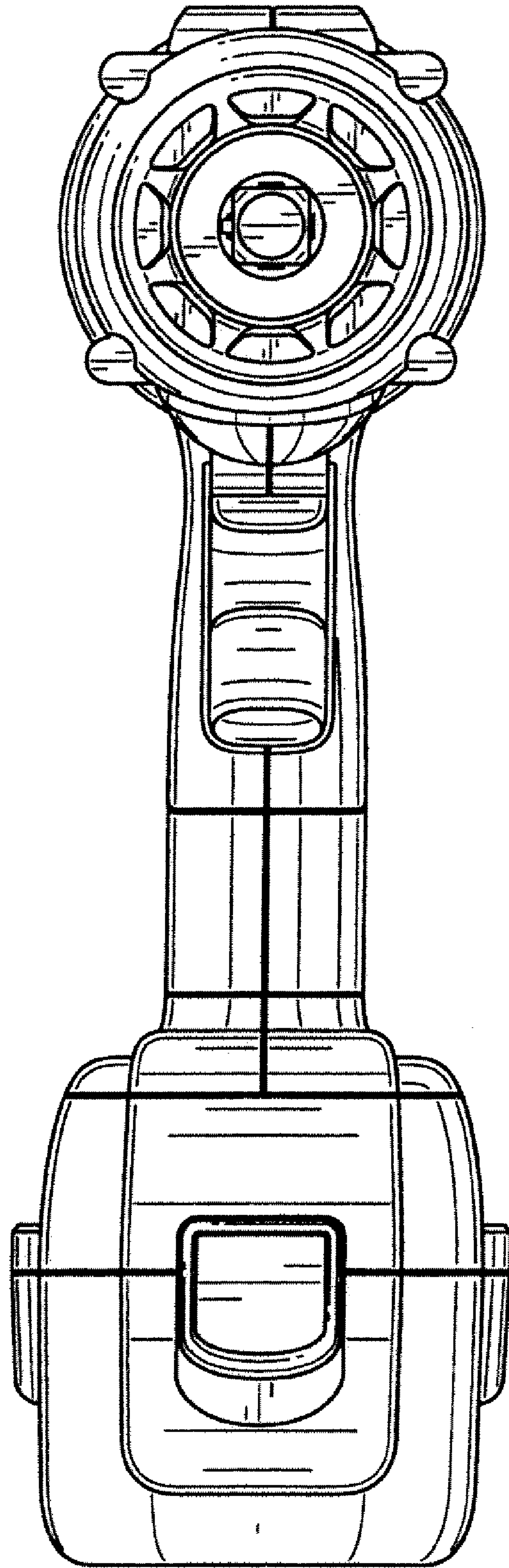


FIG. 2

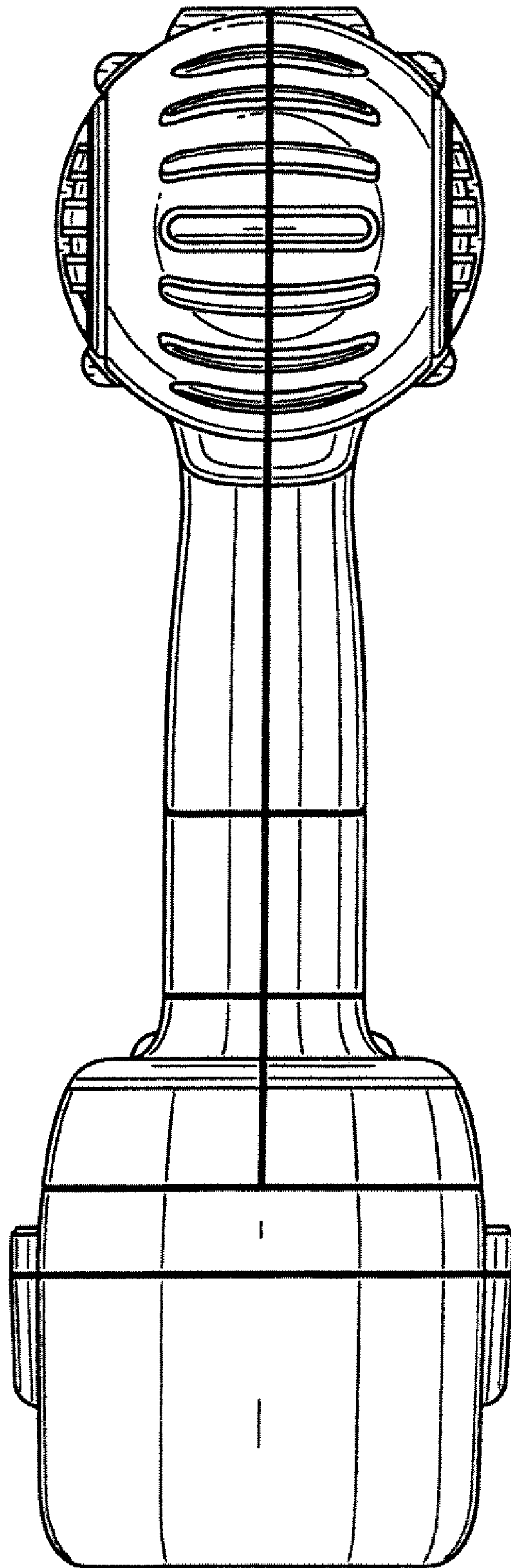


FIG. 3

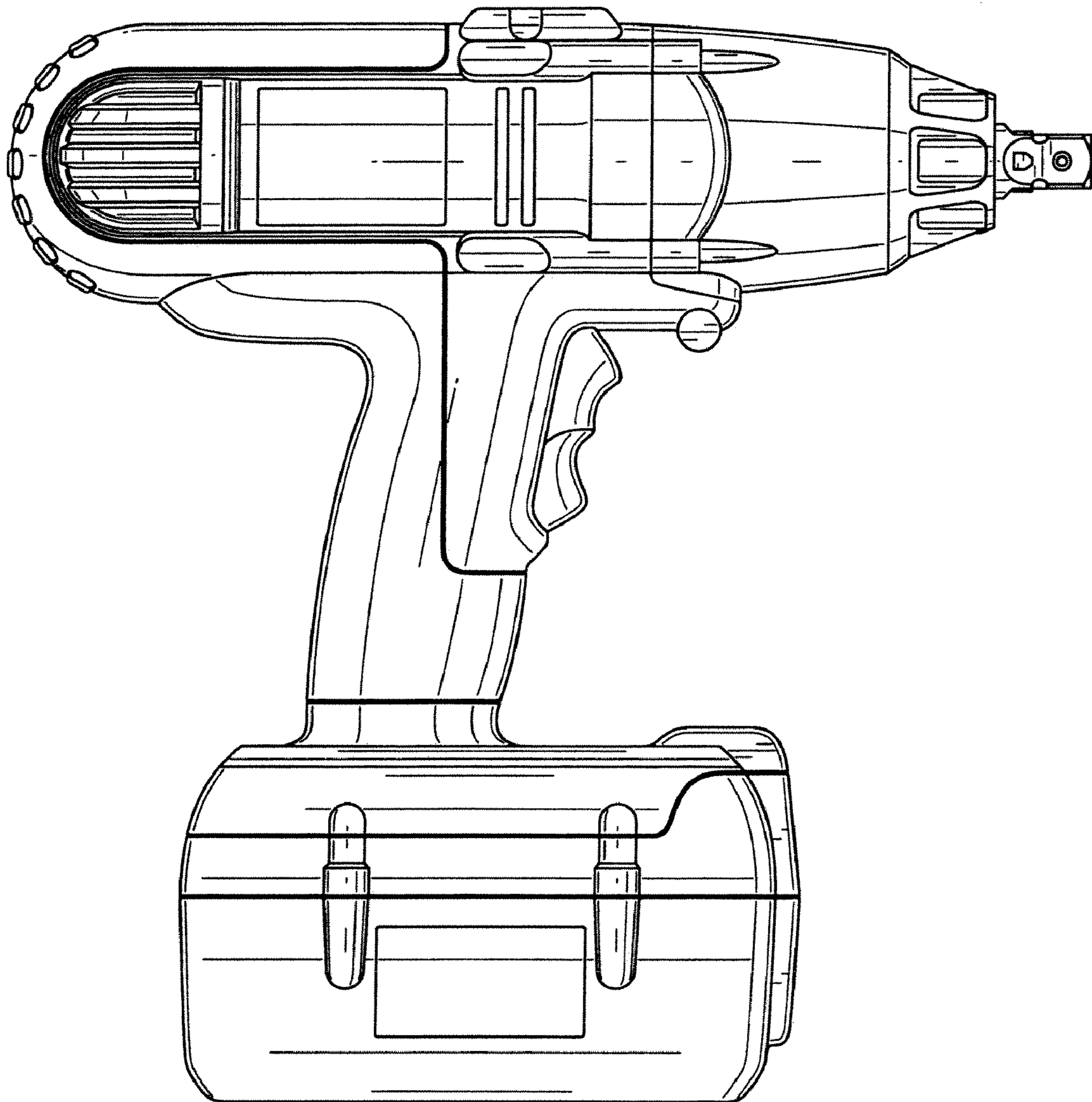


FIG. 4

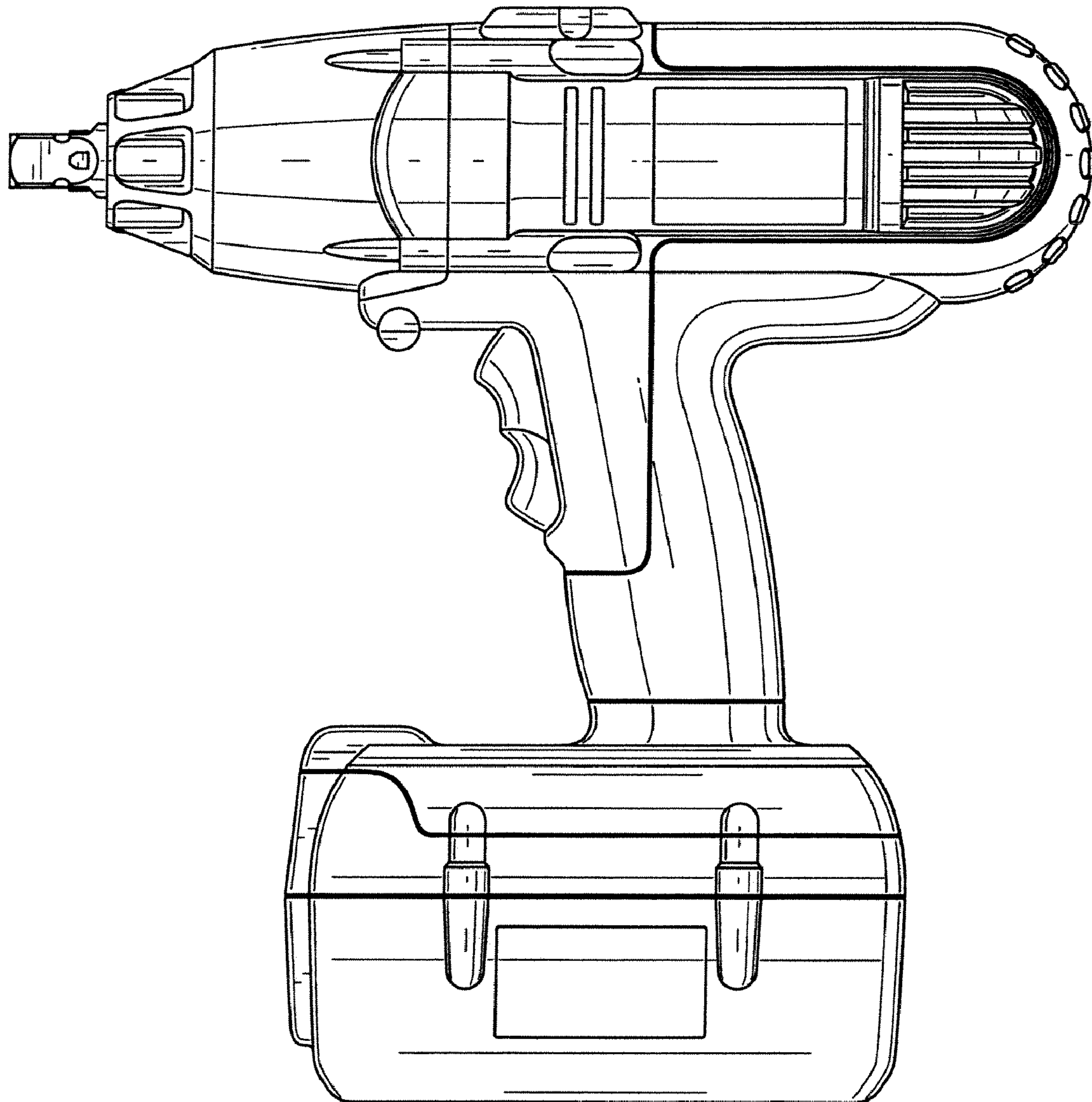


FIG. 5

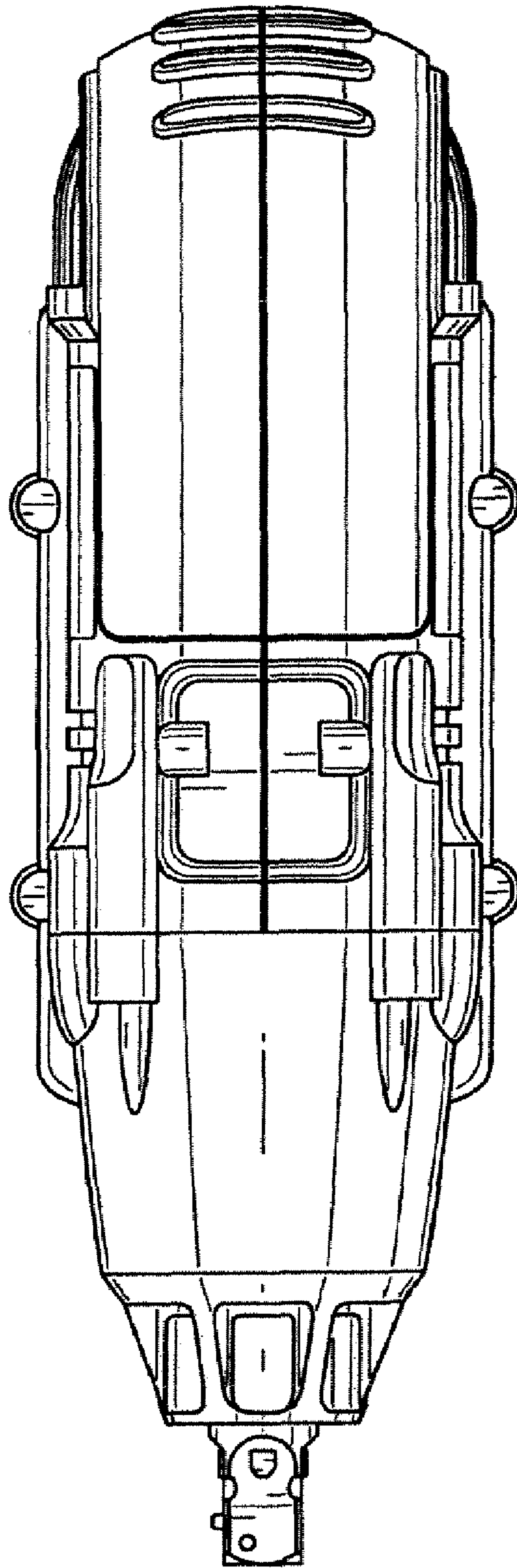


FIG. 6

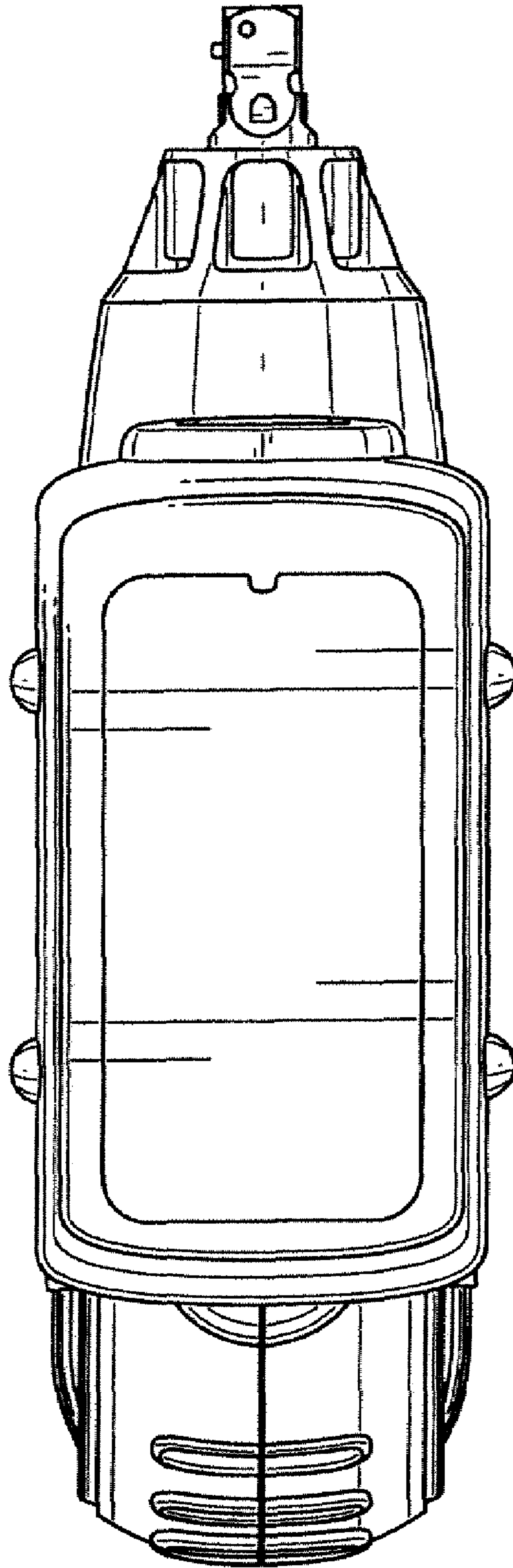


FIG. 7